

| | | |
|--|------------------------------------|--------------|
|  | POLE APPARATUS CUTOUT, ARRESTOR | 1368 |
| | | Sheet 1 of 1 |
| Rev: 08/01/20 | | |

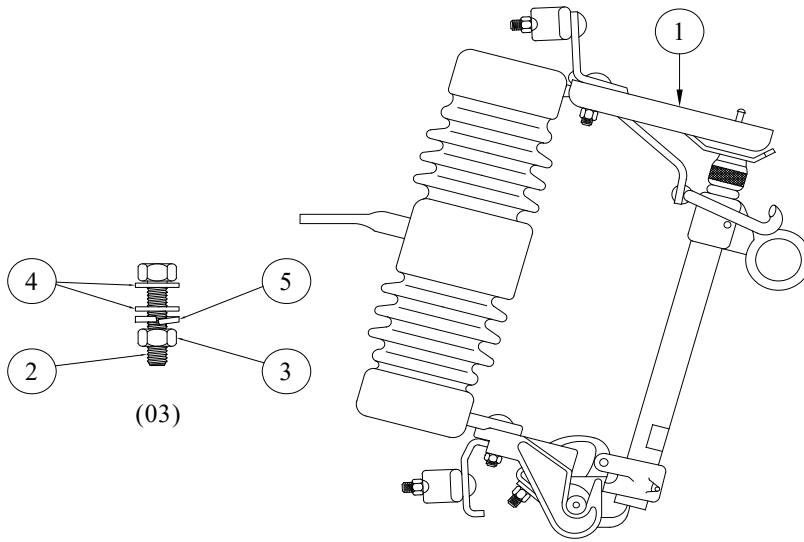
1368

CUTOUT, ARRESTOR

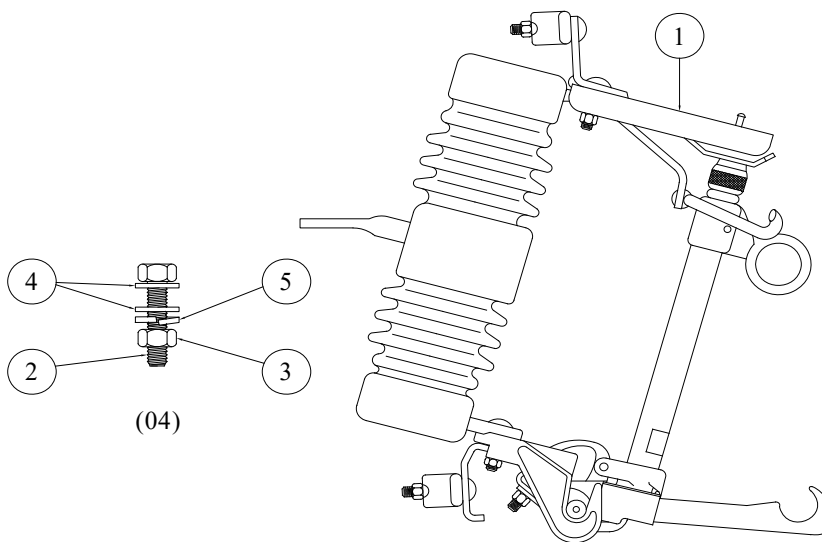
CONTAINS

- 1368-01 CUTOUTS**
- 1368-02 FUSES**
- 1368-03 ARRESTERS**
- 1368-04 STIRRUPS**
- 1368-05 JUMPER ASSEMBLIES**
- 1368-06 BRACKET L FOR CUTOUTS/ARRESTORS**
- 1368-07 CUTOUT/ARRESTOR BRACKET FOR 1PH, 2PH**
- 1368-08 CUTOUT/ARRESTOR BRACKET FOR 3PH**
- 1368-09 CUTOUT/ARRESTOR ASSEMBLIES 1PH**
- 1368-10 CUTOUT/ARRESTOR ASSEMBLIES 2PH**
- 1368-11 CUTOUT/ARRESTOR ASSEMBLIES 3PH**
- 1368-12 CUTOUT ASSEMBLIES FOR WOOD ARMS**


POLE APPARATUS
CUTOUT/ARRESTOR AND ASSEMBLIES
CUTOUTS



- 1368-01-01
- 1368-01-03
- 1368-01-10
- 1368-01-15

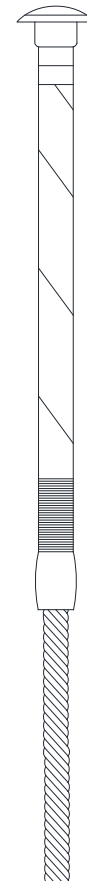



- 1368-01-02
- 1368-01-04
- 1368-01-13

| | | |
|----------------|---------------------------------------|--|
| 1368-02 | POLE APPARATUS |  |
| Sheet 1 of 5 | CUTOUT/ARRESTOR AND ASSEMBLIES | |
| | FUSES | Rev: 08/01/20 |

| | | | |
|------------|------------------------|------------|-------------------|
| 1368-02-10 | (1/3 A TYPE X) | 1368-02-30 | 5A TYPE 200 (N) |
| 1368-02-13 | (2 A TYPE X) | 1368-02-32 | 10A TYPE 200 (N) |
| 1368-02-15 | (5.5 A TYPE X) | 1368-02-33 | 15A TYPE 200 (N) |
| 1368-02-16 | (10 A TYPE X) | 1368-02-34 | 20A TYPE 200 (N) |
| 1368-02-17 | (15 A TYPE X) | 1368-02-36 | 30A TYPE 200 (N) |
| | | 1368-02-37 | 40A TYPE 200 (N) |
| 1368-02-50 | (BD 300 A SOLID BLADE) | 1368-02-38 | 50A TYPE 200 (N) |
| | | 1368-02-39 | 65A TYPE 200 (N) |
| | | 1368-02-40 | 80A TYPE 200 (N) |
| 1368-02-71 | (25 A TYPE KS) | 1368-02-41 | 100A TYPE 200 (N) |
| 1368-02-72 | (40 A TYPE KS) | 1368-02-42 | 125A TYPE 200 (N) |
| 1368-02-73 | (50 A TYPE KS) | 1368-02-43 | 150A TYPE 200 (N) |
| 1368-02-83 | (65 A TYPE KS) | 1368-02-44 | 200A TYPE 200 (N) |
| 1368-02-86 | (80 A TYPE KS) | | |
| 1368-02-84 | (100 A TYPE KS) | | |
| 1368-02-85 | (125 A TYPE KS) | | |

| FUSING GUIDELINE | |
|-------------------------|------------------------------|
| TRANSFORMER SIZE/TYPE | EXTERNAL TRANSFORMER FUSE(S) |
| OH 1-PHASE (NOTE 2) | EXTERNAL TYPE X |
| 1-10 KVA/1PH OH | 2 (X) |
| 1-25 KVA/1PH OH | 5.5 (X) |
| 1-50 KVA/1PH OH | 10 (X) |
| 1-75 KVA/1PH OH | 15 (X) |
| 1-100 KVA/1PH OH | 20 (N) |
| 1-167 KVA/1PH OH | 40 (N) |
| 3-10 KVA/3PH OH | 2 (X) |
| 3-25 KVA/3PH OH | 5.5 (X) |
| 3-50 KVA/3PH OH | 10 (X) |
| 3-75 KVA/3PH OH | 15 (X) |
| 3-100 KVA/3PH OH | 20 (N) |
| 3-167 KVA/3PH OH | 40 (N) |



| | | |
|---|--|----------------|
|  Rev: 08/01/20 | POLE APPARATUS CUTOUT/ARRESTOR AND ASSEMBLIES | 1368-02 |
| | FUSES | Sheet 2 of 5 |


Fusing Guideline (Assumes 360 Amp Substation Ground Relay Setting):

1. Line fuses, overhead radial tap fuses, and riser fuses and switchgear fuses (that are not sized to protect for a single transformer) should be the largest fuse size that will operate effectively with the available fault current, will coordinate with any the AE source side and the load side line or equipment fuses, and will handle the maximum estimated load current.
2. Fusing for conventional overhead transformers should be sized specifically for the transformer or transformer bank.
3. Riser fusing for sludged padmount transformers should be sized specifically for the transformer.
4. Riser fusing for internally fused padmount transformers should be sized to coordinate with the largest internally fused transformer on the underground radial or loop.
5. Switchgear Fuses (PMH OR PME) - Switchgear fuses for underground loops and radials should be sized to coordinate with the largest internally fused transformer on the underground radial or loop. Where the switchgear fuse feeds a slugged or radial padmount transformer, the fuse should be sized specifically for the transformer.
6. Where the load or fault current exceeds the capability of standard AE fuses, the fault protection coordination must be achieved with relayed reclosers or other fault interrupting breakers. (Contact Systems Engineering)
7. Internal transformer fusing is sized specifically for the transformer. The internal transformer fuse must also coordinate with the AE source side riser fuse or switchgear fuse or other source side fault interrupting equipment.
8. The type “N” fuses listed in the table are the Kearney Type 200 fuses with “N” speed and characteristics that have been the standard AE fuse for some time. These are sometimes called just Type 200 fuses.
9. The 75 kVA through 750 kVA three- phase padmount transformer sizes are only available in the loop- feed configuration. Slugging the transformer and fusing at the riser or in the switchgear is preferred for single transformer radial- feeds.
10. The 1000 through 2500 kVA three- phase padmount transformer sizes are available in both the radial and the loop- feed configuration. Fusing the transformer at the riser or in the switchgear is preferred for single transformer radial- feeds.

Comment: When coordinating between line fuses, switchgear fuses, and riser fuses, the general rule of thumb is to skip a fuse size between two fuses that are in series with one another. For example: If the existing line fuses are 150N’s fuses, the largest line, riser, switchgear, or transformer fuse that can be installed on the load side of the 150N’s and maintain coordination would be 100N’s. Or if the existing line fuses are 125N fuses, the largest line, riser, switchgear, or transformer fuses that can be installed on the load side of the 125N’s and maintain coordination would be 80N or 65ks fuses. Equivalent fuse sizes for coordination purposes are as follows:

1. 175E Slo
2. 150N, 150E Slo, 125ks
3. 100ks, 125N, 125E Slo
4. 100N, 100E Slo, 80ks
5. 80N, 80E Slo, 65ks
6. 65N, 65E Slo, 50ks
7. 50N, 50E Slo, 40ks

What this means is that if the 175E Slo, 125E Slo, 125ks, 100ks, 150N, and 125N fuse sizes listed in this table are used at risers or in switchgears for underground loops or radials or at risers or switchgears to fuse individual transformers, they need to be fed from main line, because there is not a larger equivalent fuse in the table that will coordinate with these sizes if existing or installed as in- line fuses ahead of them on the feeder circuit.

| | | |
|--------------|--|--|
| 1368-02 | POLE APPARATUS CUTOUT/ARRESTOR AND ASSEMBLIES FUSES |  |
| Sheet 3 of 5 | | |
| | | Rev: 08/01/20 |

CU

CU-ID CU-REF CU-DESCRIPTION

FUSELINK1/3A-X 13680210 FUSE LINK FITALL 1/3 AMP TYPE X

| ID | PART NUM | PART DESC | QTY | EA | CU-REF |
|----|------------|---------------------------------|-----|----|----------|
| 1 | 0000015537 | FUSE LINK FITALL 1/3 AMP TYPE X | 1 | EA | 13680210 |

FUSELINK2A-X 13680213 FUSE LINK FITALL 2 AMP TYPE X

| ID | PART NUM | PART DESC | QTY | EA | CU-REF |
|----|------------|-------------------------------|-----|----|----------|
| 1 | 0000015540 | FUSE LINK FITALL 2 AMP TYPE X | 1 | EA | 13680213 |

| ID | PART NUM | PART DESC | QTY | EA | CU-REF |
|----|----------|-----------|-----|----|--------|
| | | | | | |

FUSELINK5-1/2A-X 13680215 FUSE LINK FITALL 5.5 AMP TYPE X

| ID | PART NUM | PART DESC | QTY | EA | CU-REF |
|----|------------|-----------------------------------|-----|----|----------|
| 1 | 0000015542 | FUSE LINK FITALL 5-1/2 AMP TYPE X | 1 | EA | 13680215 |

FUSELINK10A-X 13680216 FUSE LINK FITALL 10 AMP TYPE X

| ID | PART NUM | PART DESC | QTY | EA | CU-REF |
|----|------------|--------------------------------|-----|----|----------|
| 1 | 0000015543 | FUSE LINK FITALL 10 AMP TYPE X | 1 | EA | 13680216 |

FUSELINK15A-X 13680217 FUSE LINK FITALL 15 AMP TYPE X

| ID | PART NUM | PART DESC | QTY | EA | CU-REF |
|----|------------|--------------------------------|-----|----|----------|
| 1 | 0000015544 | FUSE LINK FITALL 15 AMP TYPE X | 1 | EA | 13680217 |

FUSELINK5A 13680230 FUSE LINK FITALL 5 AMP

| ID | PART NUM | PART DESC | QTY | EA | CU-REF |
|----|------------|---|-----|----|----------|
| 1 | 0000005678 | FUSE LINK FITALL 5 AMP TYPE 200 (N) ST LIGHT ONLY | 1 | EA | 13680230 |

FUSELINK10A 13680232 FUSE LINK FITALL 10 AMP


| ID | PART NUM | PART DESC | QTY | EA | CU-REF |
|----|------------|--------------------------------------|-----|----|----------|
| 1 | 0000005680 | FUSE LINK FITALL 10 AMP TYPE 200 (N) | 1 | EA | 13680232 |

FUSELINK15A 13680233 FUSE LINK FITALL 15 AMP

| ID | PART NUM | PART DESC | QTY | EA | CU-REF |
|----|------------|--------------------------------------|-----|----|----------|
| 1 | 0000005681 | FUSE LINK FITALL 15 AMP TYPE 200 (N) | 1 | EA | 13680233 |


FUSELINK20A 13680234 FUSE LINK FITALL 20 AMP

| ID | PART NUM | PART DESC | QTY | EA | CU-REF |
|----|------------|--------------------------------------|-----|----|----------|
| 1 | 0000005682 | FUSE LINK FITALL 20 AMP TYPE 200 (N) | 1 | EA | 13680234 |

| | | |
|---|--|----------------|
|  Rev: 08/01/20 | POLE APPARATUS CUTOUT/ARRESTOR AND ASSEMBLIES | 1368-02 |
| | FUSES | Sheet 4 of 5 |

CU-ID CU-REF CU-DESCRIPTION

| ID | PART NUM | PART DESC | QTY | | CU-REF |
|--------------|------------|---|-----|----|----------|
| FUSELINK30A | 13680236 | FUSE LINK FITALL 30 AMP (200) N TYPE | | | |
| ID | PART NUM | PART DESC | QTY | | CU-REF |
| 1 | 0000022438 | FUSE LINK FITALL 30 AMP TYPE 200 (N) | 1 | EA | 13680236 |
| FUSELINK40AN | 13680237 | FUSE LINK FITALL 40 AMP N | | | |
| ID | PART NUM | PART DESC | QTY | | CU-REF |
| 1 | 0000005685 | FUSE LINK FITALL 40 AMP TYPE 200 (N) | 1 | EA | 13680237 |
| FUSELINK50A | 13680238 | FUSE LINK FITALL 50 AMP | | | |
| ID | PART NUM | PART DESC | QTY | | CU-REF |
| 1 | 0000005686 | FUSE LINK FITALL 50 AMP TYPE 200 (N) | 1 | EA | 13680238 |
| FUSELINK65A | 13680239 | FUSE LINK FITALL 65 AMP | | | |
| ID | PART NUM | PART DESC | QTY | | CU-REF |
| 1 | 0000005687 | FUSE LINK FITALL 65 AMP TYPE 200 (N) | 1 | EA | 13680239 |
| FUSELINK80A | 13680240 | FUSE LINK FITALL 80 AMP | | | |
| ID | PART NUM | PART DESC | QTY | | CU-REF |
| 1 | 0000001083 | FUSE LINK FITALL 80 AMP TYPE 200 (N) | 1 | EA | 13680240 |
| FUSELINK100A | 13680241 | FUSE LINK FITALL 100 AMP (N) 200 | | | |
| ID | PART NUM | PART DESC | QTY | | CU-REF |
| 1 | 0000005689 | FUSE LINK FITALL 100 AMP TYPE 200 (N) | 1 | EA | 13680241 |
| FUSELINK125A | 13680242 | FUSE LINK FITALL 125 AMP | | | |
| ID | PART NUM | PART DESC | QTY | | CU-REF |
| 1 | 0000001092 | FUSE LINK FITALL 125 AMP 15 KV TYPE 200 (N) | 1 | EA | 13680242 |
| FUSELINK150A | 13680243 | FUSE LINK FITALL 150 AMP | | | |
| ID | PART NUM | PART DESC | QTY | | CU-REF |
| 1 | 0000005690 | FUSE LINK FITALL 150 AMP TYPE 200 (N) | 1 | EA | 13680243 |
| FUSELINK200A | 13680244 | FUSE LINK FITALL 200 AMP | | | |
| ID | PART NUM | PART DESC | QTY | | CU-REF |
| 1 | 0000005691 | FUSE LINK FITALL 200 AMP | 1 | EA | 13680244 |

| | | |
|----------------|---------------------------------------|--|
| 1368-02 | POLE APPARATUS |  |
| Sheet 5 of 5 | CUTOUT/ARRESTOR AND ASSEMBLIES | |
| | FUSES | Rev: 08/01/20 |

CU-ID CU-REF CU-DESCRIPTION

BD300 13680250 BLADE DISCONNECT 300 AMP

| ID | PART NUM | PART DESC | QTY | | CU-REF |
|-----------|-----------------|--|------------|----|---------------|
| 1 | 000005672 | BLADE DISCONNECT FOR CONVERTING 100 AMP TO 300 AMP | 1 | EA | 13680250 |

| ID | PART NUM | PART DESC | QTY | | CU-REF |
|-----------|-----------------|------------------|------------|--|---------------|
|-----------|-----------------|------------------|------------|--|---------------|

FUSELINK25AKS 13680271 FUSE LINK FITALL 25 AMP KS

| ID | PART NUM | PART DESC | QTY | | CU-REF |
|-----------|-----------------|-------------------------------------|------------|----|---------------|
| 1 | 0000015546 | FUSE LINK FITALL 25 AMP CAP BANK KS | 1 | EA | 13680271 |

| ID | PART NUM | PART DESC | QTY | | CU-REF |
|-----------|-----------------|------------------|------------|--|---------------|
|-----------|-----------------|------------------|------------|--|---------------|

FUSELINK40AKS 13680272 FUSE LINK FITALL 40 AMP KS

| ID | PART NUM | PART DESC | QTY | | CU-REF |
|-----------|-----------------|-------------------------------------|------------|----|---------------|
| 1 | 0000015547 | FUSE LINK FITALL 40 AMP CAP BANK KS | 1 | EA | 13680272 |

FUSELINK50AKS 13680273 FUSE LINK FITALL 50 AMP KS

| ID | PART NUM | PART DESC | QTY | | CU-REF |
|-----------|-----------------|-------------------------------------|------------|----|---------------|
| 1 | 0000015548 | FUSE LINK FITALL 50 AMP CAP BANK KS | 1 | EA | 13680273 |

FUSELINK65AKS 13680283 FUSE LINK FITALL 65 AMP KS

| ID | PART NUM | PART DESC | QTY | | CU-REF |
|-----------|-----------------|--------------------------|------------|----|---------------|
| 1 | 0000018031 | FUSE LINK 65 AMP TYPE KS | 1 | EA | 13680283 |

FUSELINK100AKS 13680284 FUSE LINK FITALL 100 AMP KS

| ID | PART NUM | PART DESC | QTY | | CU-REF |
|-----------|-----------------|---------------------------|------------|----|---------------|
| 1 | 0000018020 | FUSE LINK 100 AMP TYPE KS | 1 | EA | 13680284 |

FUSELINK125AKS 13680285 FUSE LINK FITALL 125 AMP KS

| ID | PART NUM | PART DESC | QTY | | CU-REF |
|-----------|-----------------|---------------------------|------------|----|---------------|
| 1 | 0000018022 | FUSE LINK 125 AMP TYPE KS | 1 | EA | 13680285 |



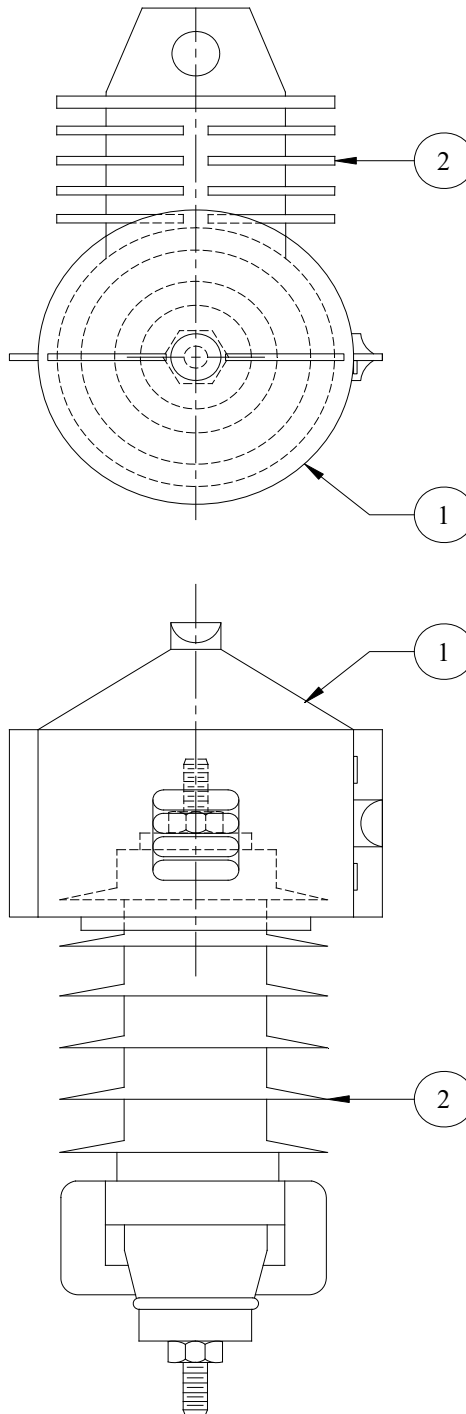
POLE APPARATUS
CUTOUT/ARRESTOR AND ASSEMBLIES

1368-03

Sheet 1 of 2


Rev: 08/01/20

ARRESTERS



1368-03-01

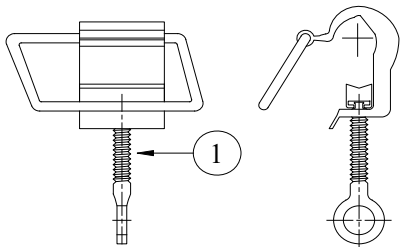
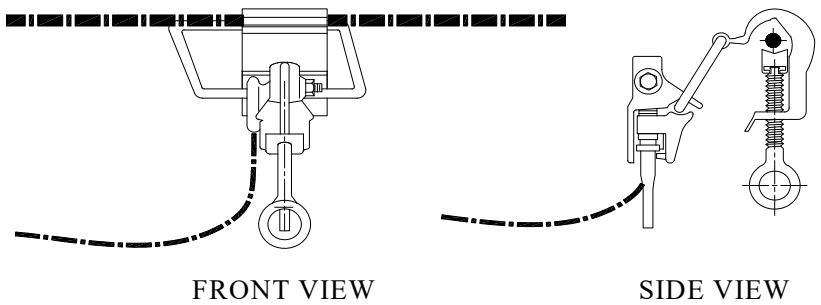
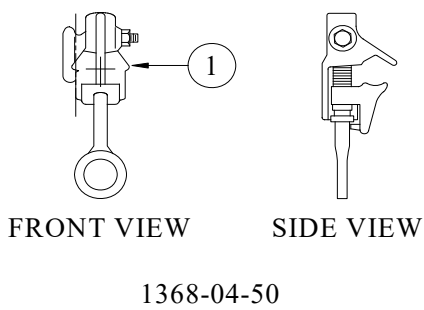
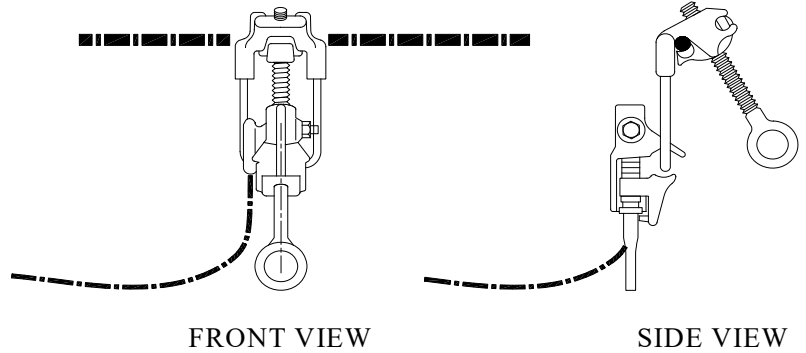
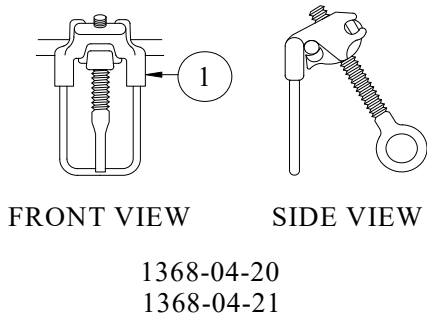
FOR TRANSFORMERS, LINE, AND CAPACITORS

| | | |
|--------------|--|--|
| 1368-03 | POLE APPARATUS CUTOUT/ARRESTOR AND ASSEMBLIES ARRESTERS |  |
| Sheet 2 of 2 | | |
| | | Rev: 08/01/20 |

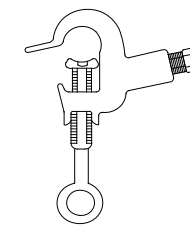
CU- ID
CU- REF
CU- DESCRIPTION

| | | |
|----------------|----------|------------------------------------|
| AROHLIN/XF/CAP | 13680301 | ARRESTOR FOR OH LINE/XFMR/CAP BANK |
|----------------|----------|------------------------------------|


| ID | PART NUM | PART DESC | QTY | | CU- REF |
|----|------------|--|-----|----|----------|
| 1 | 0000018206 | GUARD ANIMAL POLYPROPYLENE WITH HINGES | 1 | EA | 13680301 |
| 2 | 0000016477 | ARRESTER SURGE 10 KV 8.4 KV MCOV | 1 | EA | 13680301 |



1368-04-22
1368-04-23
1368-04-24



1368-04-60

| | | |
|----------------|---------------------------------------|--|
| 1368-04 | POLE APPARATUS |  |
| Sheet 2 of 2 | CUTOUT/ARRESTOR AND ASSEMBLIES | |
| | STIRRUPS | |
| | | Rev: 08/01/20 |

CU

CU-ID CU-REF CU-DESCRIPTION

STIRRUP1/0AL 13680420 STIRRUP 1/0 AL

| ID | PART NUM | PART DESC | QTY | | CU-REF |
|----|------------|-------------------------------------|-----|----|----------|
| 1 | 0000006823 | CLAMP LINE STIRRUP 1/0 AND 6/1 ACSR | 1 | EA | 13680420 |

STIRRUP4/0AL 13680421 STIRRUP 4/0 AL

| ID | PART NUM | PART DESC | QTY | | CU-REF |
|----|------------|---|-----|----|----------|
| 1 | 0000015921 | CLAMP LINE STIRRUP 4/0 2 BOLT AL BODY CU LOOP | 1 | EA | 13680421 |

STIRRUP336AL 13680422 STIRRUP 336 AL

| ID | PART NUM | PART DESC | QTY | | CU-REF |
|----|------------|---------------------------------|-----|----|----------|
| 1 | 0000006824 | CLAMP LINE STIRRUP 336/400 ACSR | 1 | EA | 13680422 |

STIRRUP795AL 13680423 STIRRUP 795 AL

| ID | PART NUM | PART DESC | QTY | | CU-REF |
|----|------------|-----------------------------|-----|----|----------|
| 1 | 0000006825 | CLAMP LINE STIRRUP 795 ACSR | 1 | EA | 13680423 |

STIRRUP6-4/0CU 13680424 STIRRUP #6-4/0 CU

| ID | PART NUM | PART DESC | QTY | | CU-REF |
|----|------------|----------------------------------|-----|----|----------|
| 1 | 0000006826 | CLAMP LINE STIRRUP #6 TO 400 MCM | 1 | EA | 13680424 |

CLPHOTTAP 13680450 CLAMP HOT TAP

| ID | PART NUM | PART DESC | QTY | | CU-REF |
|----|------------|-------------------------------------|-----|----|----------|
| 1 | 0000006849 | CLAMP TAP # 2 STRANDED TO # 6 SOLID | 1 | EA | 13680450 |

CLMPHT795TO4/0-6CU/AL 13680460 CLAMP HOT TAP 795 TO 4/0-#6 CU/AL

| ID | PART NUM | PART DESC | QTY | | CU-REF |
|----|------------|-------------------------------------|-----|----|----------|
| 1 | 0000019312 | CLAMP HOT TAP 795AA TO 4/0-#6 CU/AL | 6 | EA | 13680460 |



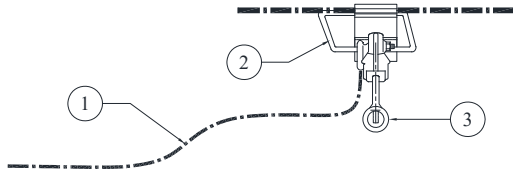
POLE APPARATUS
CUTOUT/ARRESTOR AND ASSEMBLIES

1368-05

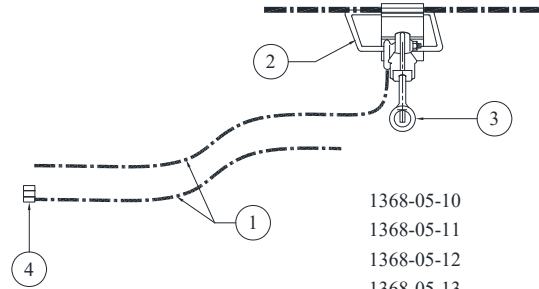
Sheet 1 of 6

Rev: 08/01/20

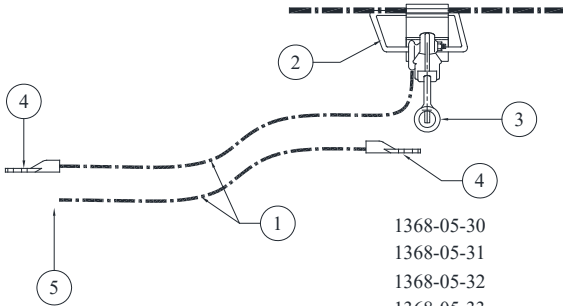
JUMPER ASSEMBLIES



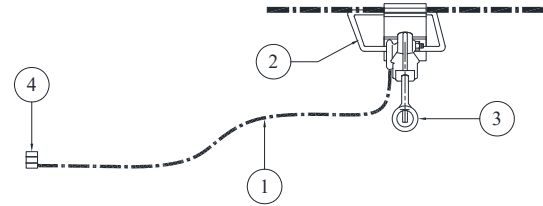
- | | |
|------------|------------|
| 1368-05-01 | 1368-05-20 |
| 1368-05-02 | 1368-05-21 |
| 1368-05-03 | 1368-05-22 |
| 1368-05-04 | 1368-05-23 |
| 1368-05-05 | 1368-05-24 |



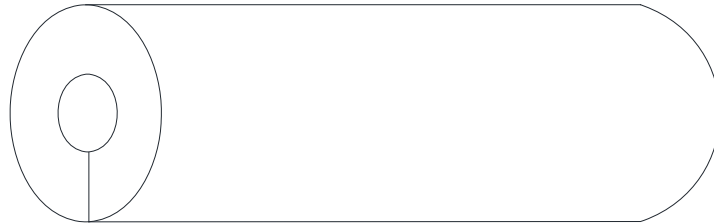
- | |
|------------|
| 1368-05-10 |
| 1368-05-11 |
| 1368-05-12 |
| 1368-05-13 |
| 1368-05-14 |




- | |
|------------|
| 1368-05-30 |
| 1368-05-31 |
| 1368-05-32 |
| 1368-05-33 |
| 1368-05-34 |



1368-05-40



1368-05-50
INSULATING TUBING FOR JUMPERS
CUT TO LENGTH

| | | |
|----------------|---------------------------------------|--|
| 1368-05 | POLE APPARATUS |  |
| Sheet 2 of 6 | CUTOUT/ARRESTOR AND ASSEMBLIES | |
| | JUMPER ASSEMBLIES | Rev: 08/01/20 |

CU

CU- ID CU- REF CU- DESCRIPTION

JUASSYXFMR/CAP1/0ALPRI 13680501 JUMPER ASSY- XFMR/CAP 1/0 AL PRI

| ID | PART NUM | PART DESC | QTY | | CU- REF |
|----|------------|---|-----|----|----------|
| 1 | 0000018196 | WIRE #6 AWG CU STRANDED W/110 MIL XLPE 500/FT | 8 | EA | 13680501 |
| 2 | 0000006823 | CLAMP LINE STIRRUP 1/0 AND 6/1 ACSR | 1 | EA | 13680501 |
| 3 | 0000006849 | CLAMP TAP # 2 STRANDED TO # 6 SOLID | 1 | EA | 13680501 |

JUASSYXFMR/CAP4/0ALPRI 13680502 JUMPER ASSY- XFMR/CAP 4/0 AL PRI

| ID | PART NUM | PART DESC | QTY | | CU- REF |
|----|------------|---|-----|----|----------|
| 1 | 0000018196 | WIRE #6 AWG CU STRANDED W/110 MIL XLPE 500/FT | 8 | EA | 13680502 |
| 2 | 0000015921 | CLAMP LINE STIRRUP 4/0 2 BOLT AL BODY CU LOOP | 1 | EA | 13680502 |
| 3 | 0000006849 | CLAMP TAP # 2 STRANDED TO # 6 SOLID | 1 | EA | 13680502 |

JUASSYXFMR/CAP336ALPRI 13680503 JUMPER ASSY- XFMR/CAP 336 AL PRI

| ID | PART NUM | PART DESC | QTY | | CU- REF |
|----|------------|---|-----|----|----------|
| 1 | 0000018196 | WIRE #6 AWG CU STRANDED W/110 MIL XLPE 500/FT | 8 | EA | 13680503 |
| 2 | 0000006824 | CLAMP LINE STIRRUP 336/400 ACSR | 1 | EA | 13680503 |
| 3 | 0000006849 | CLAMP TAP # 2 STRANDED TO # 6 SOLID | 1 | EA | 13680503 |

JUASSYXFMR/CAP795ALPRI 13680504 JUMPER ASSY- XFMR/CAP 795 AL PRI

| ID | PART NUM | PART DESC | QTY | | CU- REF |
|----|------------|---|-----|----|----------|
| 1 | 0000018196 | WIRE #6 AWG CU STRANDED W/110 MIL XLPE 500/FT | 8 | EA | 13680504 |
| 2 | 0000006825 | CLAMP LINE STIRRUP 795 ACSR | 1 | EA | 13680504 |
| 3 | 0000006849 | CLAMP TAP # 2 STRANDED TO # 6 SOLID | 1 | EA | 13680504 |

JUASSYXFMR/CAP6-4/0CUPRI 13680505 JUMPER ASSY- XFMR/CAP #6- 4/0 CU PRI

| ID | PART NUM | PART DESC | QTY | | CU- REF |
|----|------------|---|-----|----|----------|
| 1 | 0000018196 | WIRE #6 AWG CU STRANDED W/110 MIL XLPE 500/FT | 8 | EA | 13680505 |
| 2 | 0000006826 | CLAMP LINE STIRRUP #6 TO 400 MCM | 1 | EA | 13680505 |
| 3 | 0000006849 | CLAMP TAP # 2 STRANDED TO # 6 SOLID | 1 | EA | 13680505 |

JUASSYLINEFUSE1/0ALPRI 13680510 JUMPER ASSY- LINE FUSE 1/0 AL PRI

| ID | PART NUM | PART DESC | QTY | | CU- REF |
|----|------------|---|-----|----|----------|
| 1 | 0000004533 | CABLE BARE STRD COP TINNED SOFT # 2 2400/FT | 7 | EA | 13680510 |
| 2 | 0000006823 | CLAMP LINE STIRRUP 1/0 AND 6/1 ACSR | 1 | EA | 13680510 |
| 3 | 0000006849 | CLAMP TAP # 2 STRANDED TO # 6 SOLID | 1 | EA | 13680510 |
| 4 | 0000005603 | TAP COMP H TYPE 1/0 TO #6 | 1 | EA | 13680510 |



POLE APPARATUS
CUTOUT/ARRESTOR AND ASSEMBLIES

1368-05

Sheet 3 of 6

Rev: 08/01/20

JUMPER ASSEMBLIES

CU-ID **CU-REF** **CU-DESCRIPTION**

JUASSYLINEFUSE4/0ALPRI 13680511 JUMPER ASSY- LINE FUSE 4/0 AL PRI

| ID | PART NUM | PART DESC | QTY | | CU-REF |
|----|------------|---|-----|----|----------|
| 1 | 0000004533 | CABLE BARE STRD COP TINNED SOFT # 2 2400/FT | 7 | EA | 13680511 |
| 2 | 0000015921 | CLAMP LINE STIRRUP 4/0 2 BOLT AL BODY CU LOOP | 1 | EA | 13680511 |
| 3 | 0000006849 | CLAMP TAP # 2 STRANDED TO # 6 SOLID | 1 | EA | 13680511 |
| 4 | 0000005603 | TAP COMP H TYPE 1/0 TO #6 | 1 | EA | 13680511 |

JUASSYLINEFUSE336ALPRI 13680512 JUMPER ASSY- LINE FUSE 336 AL PRI

| ID | PART NUM | PART DESC | QTY | | CU-REF |
|----|------------|---|-----|----|----------|
| 1 | 0000004533 | CABLE BARE STRD COP TINNED SOFT # 2 2400/FT | 7 | EA | 13680512 |
| 2 | 0000006824 | CLAMP LINE STIRRUP 336/400 ACSR | 1 | EA | 13680512 |
| 3 | 0000006849 | CLAMP TAP # 2 STRANDED TO # 6 SOLID | 1 | EA | 13680512 |
| 4 | 0000005603 | TAP COMP H TYPE 1/0 TO #6 | 1 | EA | 13680512 |

JUASSYLINEFUSE795ALPRI 13680513 JUMPER ASSY- LINE FUSE 795 AL PRI


| ID | PART NUM | PART DESC | QTY | | CU-REF |
|----|------------|---|-----|----|----------|
| 1 | 0000004533 | CABLE BARE STRD COP TINNED SOFT # 2 2400/FT | 7 | EA | 13680513 |
| 2 | 0000006825 | CLAMP LINE STIRRUP 795 ACSR | 1 | EA | 13680513 |
| 3 | 0000006849 | CLAMP TAP # 2 STRANDED TO # 6 SOLID | 1 | EA | 13680513 |
| 4 | 0000005603 | TAP COMP H TYPE 1/0 TO #6 | 1 | EA | 13680513 |

JUASSYLINEFUSE6-4/0CUPRI 13680514 JUMPER ASSY- LINE FUSE #6-4/0 CU PRI

| ID | PART NUM | PART DESC | QTY | | CU-REF |
|----|------------|---|-----|----|----------|
| 1 | 0000004533 | CABLE BARE STRD COP TINNED SOFT # 2 2400/FT | 7 | EA | 13680514 |
| 2 | 0000006826 | CLAMP LINE STIRRUP #6 TO 400 MCM | 1 | EA | 13680514 |
| 3 | 0000006849 | CLAMP TAP # 2 STRANDED TO # 6 SOLID | 1 | EA | 13680514 |
| 4 | 0000005603 | TAP COMP H TYPE 1/0 TO #6 | 1 | EA | 13680514 |

JUASSYURDRISER1/0ALPRI 13680520 JUMPER ASSY- URD RISER 1/0 AL URD PRI

| ID | PART NUM | PART DESC | QTY | | CU-REF |
|----|------------|---|-----|----|----------|
| 1 | 0000004533 | CABLE BARE STRD COP TINNED SOFT # 2 2400/FT | 7 | EA | 13680520 |
| 2 | 0000006823 | CLAMP LINE STIRRUP 1/0 AND 6/1 ACSR | 1 | EA | 13680520 |
| 3 | 0000006849 | CLAMP TAP # 2 STRANDED TO # 6 SOLID | 1 | EA | 13680520 |

| | | |
|--------------|--------------------------------|--|
| 1368-05 | POLE APPARATUS |  |
| Sheet 4 of 6 | CUTOUT/ARRESTOR AND ASSEMBLIES | |
| | JUMPER ASSEMBLIES | |
| | | Rev: 08/01/20 |

CU-ID CU-REF CU-DESCRIPTION

JUASSYURDRISER4/0ALPRI 13680521 JUMPER ASSY- URD RISER 4/0 AL URD PRI

| ID | PART NUM | PART DESC | QTY | | CU-REF |
|----|------------|---|-----|----|----------|
| 1 | 0000004533 | CABLE BARE STRD COP TINNED SOFT # 2 2400/FT | 7 | EA | 13680521 |
| 2 | 0000015921 | CLAMP LINE STIRRUP 4/0 2 BOLT AL BODY CU LOOP | 1 | EA | 13680521 |
| 3 | 0000006849 | CLAMP TAP # 2 STRANDED TO # 6 SOLID | 1 | EA | 13680521 |

JUASSYURDRISER336ALPRI 13680522 JUMPER ASSY- URD RISER 336 AL PRI

| ID | PART NUM | PART DESC | QTY | | CU-REF |
|----|------------|---|-----|----|----------|
| 1 | 0000004533 | CABLE BARE STRD COP TINNED SOFT # 2 2400/FT | 7 | EA | 13680522 |
| 2 | 0000006824 | CLAMP LINE STIRRUP 336/400 ACSR | 1 | EA | 13680522 |
| 3 | 0000006849 | CLAMP TAP # 2 STRANDED TO # 6 SOLID | 1 | EA | 13680522 |

JUASSYURDRISER795ALPRI 13680523 JUMPER ASSY- URD RISER 795 AL PRI


| ID | PART NUM | PART DESC | QTY | | CU-REF |
|----|------------|---|-----|----|----------|
| 1 | 0000004533 | CABLE BARE STRD COP TINNED SOFT # 2 2400/FT | 7 | EA | 13680523 |
| 2 | 0000006825 | CLAMP LINE STIRRUP 795 ACSR | 1 | EA | 13680523 |
| 3 | 0000006849 | CLAMP TAP # 2 STRANDED TO # 6 SOLID | 1 | EA | 13680523 |

JUASSYURDRISER6-4/0CUPRI 13680524 JUMPER ASSY- URD RISER #6-4/0 CU PRI

| ID | PART NUM | PART DESC | QTY | | CU-REF |
|----|------------|---|-----|----|----------|
| 1 | 0000004533 | CABLE BARE STRD COP TINNED SOFT # 2 2400/FT | 7 | EA | 13680524 |
| 2 | 0000006826 | CLAMP LINE STIRRUP #6 TO 400 MCM | 1 | EA | 13680524 |
| 3 | 0000006849 | CLAMP TAP # 2 STRANDED TO # 6 SOLID | 1 | EA | 13680524 |

JUASSYAR1/0ALPRI 13680530 JUMPER ASSY- ARRESTOR 1/0 AL PRI

| ID | PART NUM | PART DESC | QTY | | CU-REF |
|----|------------|--|-----|----|----------|
| 1 | 0000004533 | CABLE BARE STRD COP TINNED SOFT # 2 2400/FT | 8 | EA | 13680530 |
| 2 | 0000006823 | CLAMP LINE STIRRUP 1/0 AND 6/1 ACSR | 1 | EA | 13680530 |
| 3 | 0000006849 | CLAMP TAP # 2 STRANDED TO # 6 SOLID | 1 | EA | 13680530 |
| 4 | 0000005627 | LUG COMP #2 STRD COP 3/8" BOLT HOLE TIN PLATED | 2 | EA | 13680530 |
| 5 | 0000006804 | CONNECTOR SPLIT BOLT #2 STRD COP | 1 | EA | 13680530 |

| | | |
|---|--|--------------------------------|
|  Rev: 08/01/20 | POLE APPARATUS CUTOUT/ARRESTOR AND ASSEMBLIES JUMPER ASSEMBLIES | 1368-05 Sheet 5 of 6 |
| | | |

CU-ID CU-REF CU-DESCRIPTION

JUASSYAR4/0ALPRI 13680531 JUMPER ASSY - ARRESTOR 4/0 AL PRI

| ID | PART NUM | PART DESC | QTY | | CU-REF |
|----|------------|--|-----|----|----------|
| 1 | 0000004533 | CABLE BARE STRD COP TINNED SOFT # 2 2400/FT | 8 | EA | 13680531 |
| 2 | 0000015921 | CLAMP LINE STIRRUP 4/0 2 BOLT AL BODY CU LOOP | 1 | EA | 13680531 |
| 3 | 0000006849 | CLAMP TAP # 2 STRANDED TO # 6 SOLID | 1 | EA | 13680531 |
| 4 | 0000005627 | LUG COMP #2 STRD COP 3/8" BOLT HOLE TIN PLATED | 2 | EA | 13680531 |
| 5 | 0000006804 | CONNECTOR SPLIT BOLT #2 STRD COP | 1 | EA | 13680531 |

JUASSYAR336ALPRI 13680532 JUMPER ASSY - ARRESTOR 336 AL PRI

| ID | PART NUM | PART DESC | QTY | | CU-REF |
|----|------------|--|-----|----|----------|
| 1 | 0000004533 | CABLE BARE STRD COP TINNED SOFT # 2 2400/FT | 8 | EA | 13680532 |
| 2 | 0000006824 | CLAMP LINE STIRRUP 336/400 ACSR | 1 | EA | 13680532 |
| 3 | 0000006849 | CLAMP TAP # 2 STRANDED TO # 6 SOLID | 1 | EA | 13680532 |
| 4 | 0000005627 | LUG COMP #2 STRD COP 3/8" BOLT HOLE TIN PLATED | 2 | EA | 13680532 |
| 5 | 0000006804 | CONNECTOR SPLIT BOLT #2 STRD COP | 1 | EA | 13680532 |

JUASSYAR795ALPRI 13680533 JUMPER ASSY - ARRESTOR 795 AL PRI

| ID | PART NUM | PART DESC | QTY | | CU-REF |
|----|------------|--|-----|----|----------|
| 1 | 0000004533 | CABLE BARE STRD COP TINNED SOFT # 2 2400/FT | 8 | EA | 13680533 |
| 2 | 0000006825 | CLAMP LINE STIRRUP 795 ACSR | 1 | EA | 13680533 |
| 3 | 0000006849 | CLAMP TAP # 2 STRANDED TO # 6 SOLID | 1 | EA | 13680533 |
| 4 | 0000005627 | LUG COMP #2 STRD COP 3/8" BOLT HOLE TIN PLATED | 2 | EA | 13680533 |
| 5 | 0000006804 | CONNECTOR SPLIT BOLT #2 STRD COP | 1 | EA | 13680533 |

JUASSYAR-COJU 13680535 JUMPER ASSY - ARRESTOR - CUTOUT JUMPER 795


| ID | PART NUM | PART DESC | QTY | | CU-REF |
|----|------------|--|-----|----|----------|
| 1 | 0000004533 | CABLE BARE STRD COP TINNED SOFT # 2 2400/FT | 4 | EA | 13680535 |
| 2 | 0000005627 | LUG COMP #2 STRD COP 3/8" BOLT HOLE TIN PLATED | 1 | EA | 13680535 |
| 3 | 0000019312 | CLAMP HOT TAP 795AA TO 4/0-#6 CU/AL | 1 | EA | 13680535 |

JUASSYHT1/0ALPRI 13680540 JUMPER ASSY - HOT TAP 1/0 AL PRI

| ID | PART NUM | PART DESC | QTY | | CU-REF |
|----|------------|---|-----|----|----------|
| 1 | 0000004533 | CABLE BARE STRD COP TINNED SOFT # 2 2400/FT | 8 | EA | 13680540 |
| 2 | 0000006823 | CLAMP LINE STIRRUP 1/0 AND 6/1 ACSR | 1 | EA | 13680540 |
| 3 | 0000006849 | CLAMP TAP # 2 STRANDED TO # 6 SOLID | 1 | EA | 13680540 |
| 4 | 0000005603 | TAP COMP H TYPE 1/0 TO #6 | 1 | EA | 13680540 |

JUASSYAR1/0-795MAIN#6TAP 13680542 JUMPER ASSY AR 1/0-795 MAIN #6 TAP

| ID | PART NUM | PART DESC | QTY | | CU-REF |
|----|------------|---|-----|----|----------|
| 1 | 0000018196 | WIRE #6 AWG CU STRANDED W/110 MIL XLPE 500/FT | 4 | EA | 13680542 |
| 2 | 0000019312 | CLAMP HOT TAP 795AA TO 4/0-#6 CU/AL | 1 | EA | 13680542 |

| | | |
|----------------|--|--|
| 1368-05 | POLE APPARATUS CUTOUT/ARRESTOR AND ASSEMBLIES JUMPER ASSEMBLIES |  |
| Sheet 6 of 6 | | |
| | | Rev: 08/01/20 |

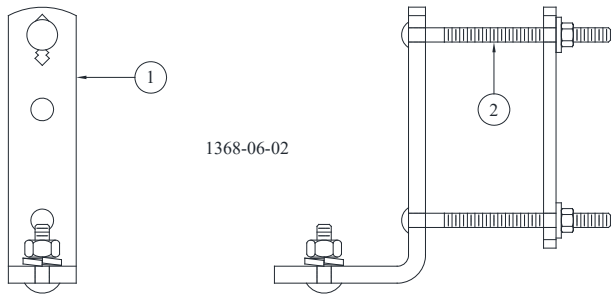
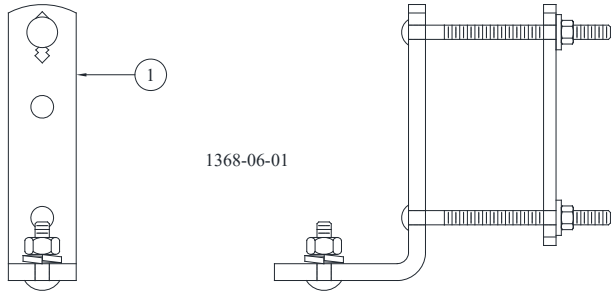
CU-ID CU-REF CU-DESCRIPTION

JUASSYURDRISER-ARRESTOR 13680544 JUMPER ASSY FOR URD RISER TO ARRESTOR

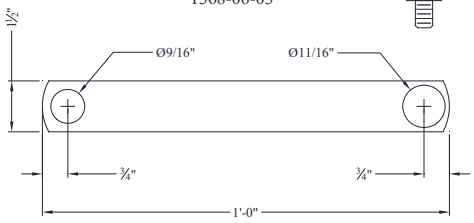
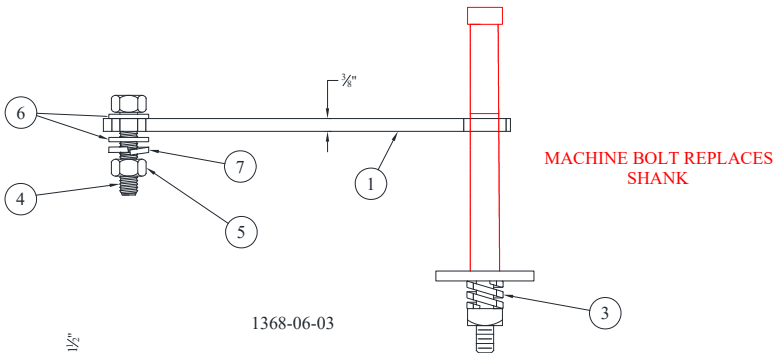
| ID | PART NUM | PART DESC | QTY | | CU-REF |
|----|------------|---|-----|----|----------|
| 1 | 0000018196 | WIRE #6 AWG CU STRANDED W/110 MIL XLPE 500/FT | 3 | EA | 13680544 |
| 2 | 0000006849 | CLAMP TAP # 2 STRANDED TO # 6 SOLID | 1 | EA | 13680544 |


INSULHOSE20KV795MCM 13680550 INSULATION HOSE SPLIT 1.25IN 795 ARBUTUS

| ID | PART NUM | PART DESC | QTY | | CU-REF |
|----|------------|---|-----|----|----------|
| 1 | 0000019651 | INSULATION, HOSE SPLIT LINE, 1-1/4 INCH FOR 795 ARBUTUS | 1 | EA | 13680550 |



(FOR ATTACHMENT OF CUTOUTS
& ARRESTERS TO BRACKET
MOUNT)



| | | |
|----------------|--|--|
| 1368-06 | POLE APPARATUS CUTOUT/ARRESTOR AND ASSEMBLIES BRACKET L FOR CUTOUTS/ARRESTORS |  |
| Sheet 2 of 2 | | |
| | | Rev: 08/01/20 |

CU

CU- ID CU- REF CU- DESCRIPTION

BRKTLMTW/6INCB 13680601 BRACKET-L MOUNT W/6IN CARRIAGE BOLTS

| ID | PART NUM | PART DESC | QTY | | CU-REF |
|----|------------|--|-----|----|----------|
| 1 | 0000001418 | BRACKET CUTOUT HOT DIP GALV FOR MOUNTING ON CROSSARM | 1 | EA | 13680601 |

BRKTLMTW/8INCB 13680602 BRACKET-L MOUNT W/8IN CARRIAGE BOLTS

| ID | PART NUM | PART DESC | QTY | | CU-REF |
|----|------------|--|-----|----|----------|
| 1 | 0000001418 | BRACKET CUTOUT HOT DIP GALV FOR MOUNTING ON CROSSARM | 1 | EA | 13680602 |
| 2 | 0000008438 | BOLT CARRIAGE HOT DIP GALV G5CT 3/8 X 8 | 2 | EA | 13680602 |

BRKTSTEELPLATE 13680603 BRACKET STEEL PLATE

| ID | PART NUM | PART DESC | QTY | | CU-REF |
|----|------------|---|-----|----|----------|
| 1 | 0000000265 | BRACKET STEEL PLATE GALVANIZED FOR CUTOUT | 1 | EA | 13680603 |
| 2 | 0000019412 | BOLT MACH SQ HEAD HOT DIP GALV G5 5/8 X 8 | 1 | EA | 13680603 |
| 3 | 0000001236 | WASHER COIL SPRING ZINC FOR 5/8 IN BOLT | 1 | EA | 13680603 |
| 4 | 0000008396 | BOLT HEX HEAD ZINC G5CT 1/2 X 2 | 1 | EA | 13680603 |
| 5 | 0000008457 | NUT HEX ZINC CT 1/2 | 1 | EA | 13680603 |
| 6 | 0000008494 | WASHER ROUND HOT DIP GALV 1/2 INCH | 2 | EA | 13680603 |
| 7 | 0000008480 | WASHER SPLIT LOCK HOT DIP GALV 1/2 INCH | 1 | EA | 13680603 |

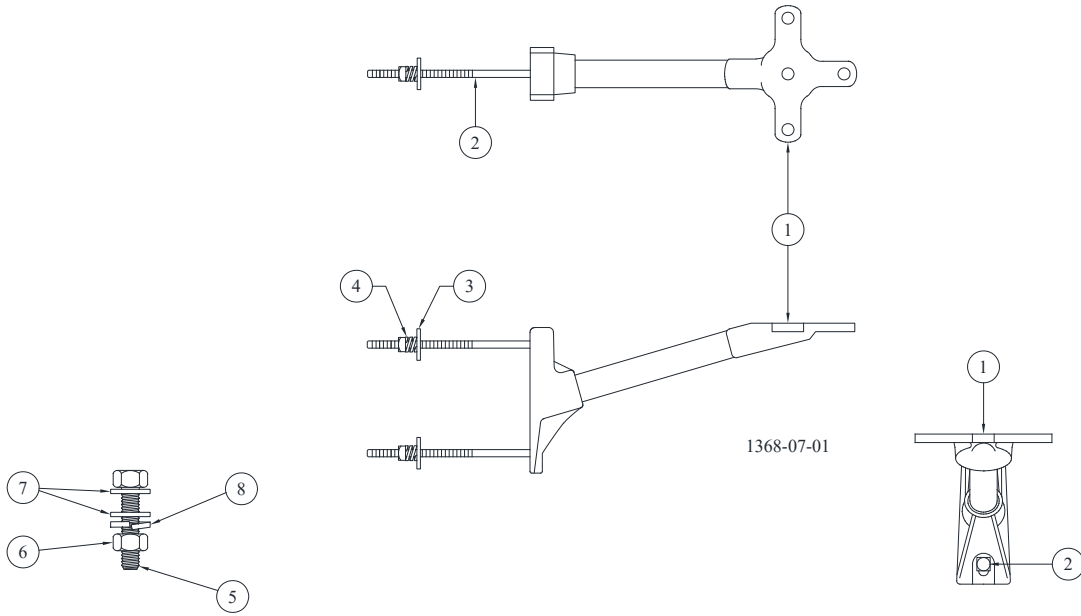


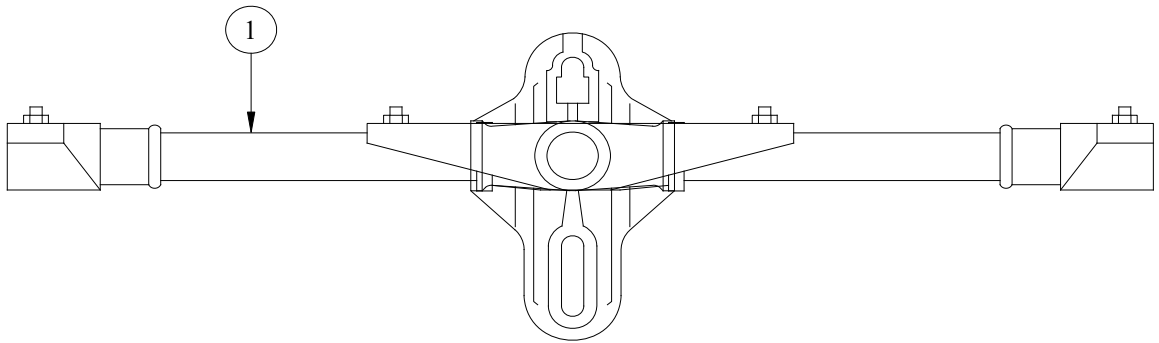
Rev: 08/01/20

POLE APPARATUS
CUTOUT/ARRESTOR AND ASSEMBLIES
CUTOUT/ARRESTOR BRACKET FOR 1PH

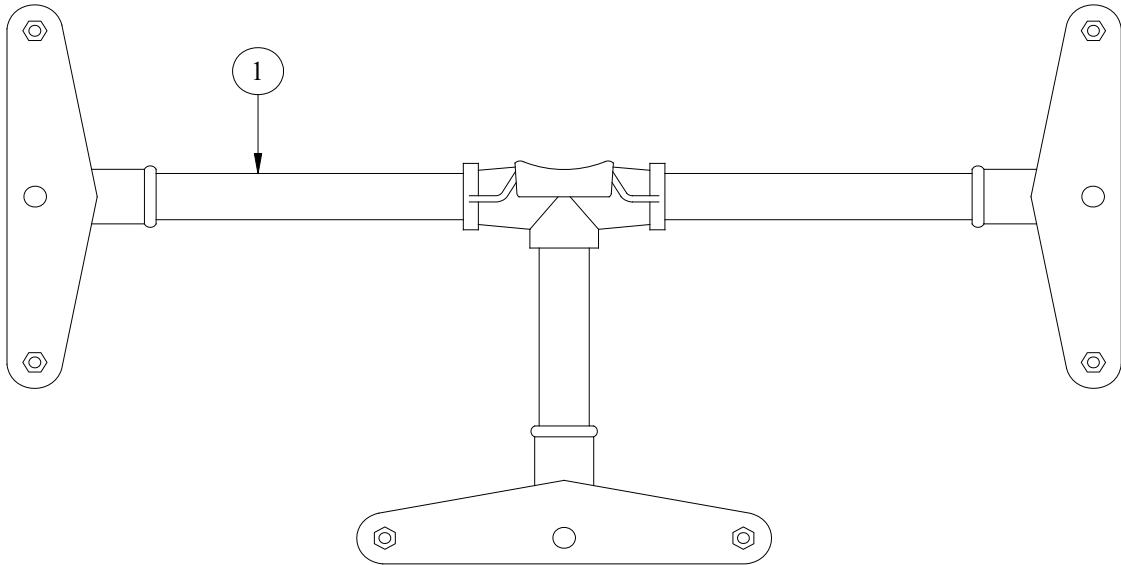
1368-07


Sheet 1 of 2





1368-08-01



| | | |
|----------------|---|--|
| 1368-08 | POLE APPARATUS |  |
| Sheet 2 of 2 | CUTOUT/ARRESTOR AND ASSEMBLIES | |
| | CUTOUT/ARRESTOR BRACKET FOR 3PH &2PH | Rev: 08/01/20 |

CU

CU-ID

CU-REF

CU-DESCRIPTION

BRKTMTCO/AR3PH

13680801

BRACKET MOUNT CUTOUT/ARRESTOR 3PH

| ID | PART NUM | PART DESC | QTY | | CU-REF |
|-----------|-----------------|---|------------|----|---------------|
| 1 | 0000018258 | BRACKET CUTOUT/ARRESTER 3PH FBRGLASS ARM 0-DEG STANDOFF | 1 | EA | 13680801 |
| 2 | 0000008419 | BOLT MACH SQ HEAD HOT DIP GALV G5 5/8 X 12 | 2 | EA | 13680801 |
| 3 | 0000008499 | WASHER SQ HOT DIP GALV 2-1/4 IN X 2-1/4 IN X 3/16 IN | 2 | EA | 13680801 |
| 4 | 0000001236 | WASHER COIL SPRING ZINC FOR 5/8 IN BOLT | 2 | EA | 13680801 |

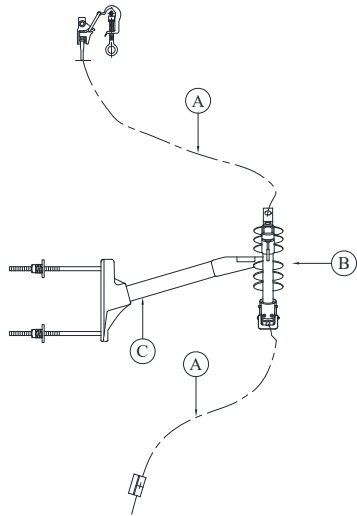


Rev: 08/01/20

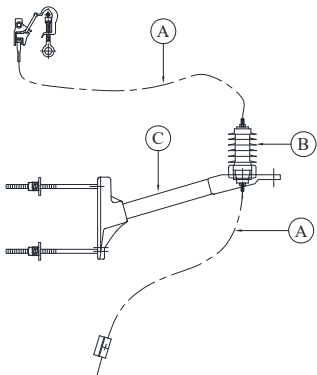
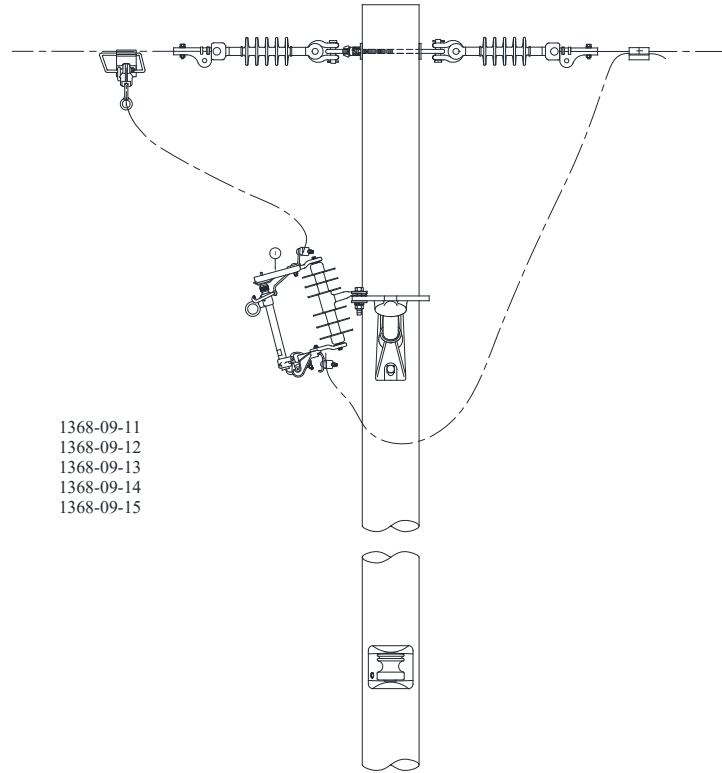
POLE APPARATUS
CUTOUT/ARRESTOR AND ASSEMBLIES
CUTOUT/ARRESTOR ASSEMBLES 1PH

1368-09

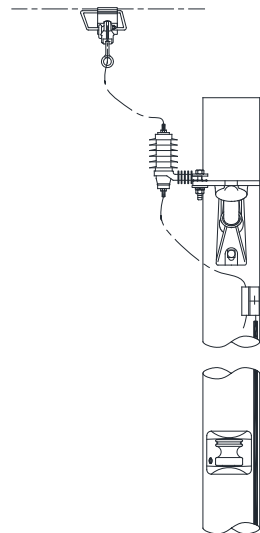
Sheet 1 of 3




1368-09-11
1368-09-12
1368-09-13
1368-09-14
1368-09-15



1368-09-20
1368-09-21
1368-09-22
1368-09-23
1368-09-24



| | | |
|----------------|---------------------------------------|--|
| 1368-09 | POLE APPARATUS |  AUSTIN ENERGY |
| Sheet 2 of 3 | CUTOUT/ARRESTOR AND ASSEMBLIES | |
| | CUTOUT/ARRESTOR ASSEMBLES 1PH | |
| | | Rev: 08/01/20 |

MU

| | | |
|--------------|---------------|-----------------------|
| MU-ID | MU-REF | MU-DESCRIPTION |
|--------------|---------------|-----------------------|

LFASSY1PH1/0P 13680911 LINE FUSE ASSY 1PH 1/0 PRI

| ID | CU-REF | CU-DESC | QTY | MU-REF |
|----|----------|---|-----|----------|
| A | 13680510 | JUMPER ASSY - LINE FUSE 1/0 AL PRI | 1 | 13680911 |
| B | 13680102 | CUTOUT 15KV W/LB | 1 | 13680911 |
| C | 13680701 | BRACKET 3 EAR FG 18 IN SGL W/MOUNT BOLT | 1 | 13680911 |

LFASSY1PH4/0P 13680912 LINE FUSE ASSY 1PH 4/0 PRI

| ID | CU-REF | CU-DESC | QTY | MU-REF |
|----|----------|---|-----|----------|
| A | 13680511 | JUMPER ASSY - LINE FUSE 4/0 AL PRI | 1 | 13680912 |
| B | 13680102 | CUTOUT 15KV W/LB | 1 | 13680912 |
| C | 13680701 | BRACKET 3 EAR FG 18 IN SGL W/MOUNT BOLT | 1 | 13680912 |

LFASSY1PH336P 13680913 LINE FUSE ASSY 1PH 336 PRI

| ID | CU-REF | CU-DESC | QTY | MU-REF |
|----|----------|---|-----|----------|
| A | 13680512 | JUMPER ASSY - LINE FUSE 336 AL PRI | 1 | 13680913 |
| B | 13680102 | CUTOUT 15KV W/LB | 1 | 13680913 |
| C | 13680701 | BRACKET 3 EAR FG 18 IN SGL W/MOUNT BOLT | 1 | 13680913 |

LFASSY1PH795P 13680914 LINE FUSE ASSY 1PH 795 PRI


| ID | CU-REF | CU-DESC | QTY | MU-REF |
|----|----------|---|-----|----------|
| A | 13680513 | JUMPER ASSY - LINE FUSE 795 AL PRI | 1 | 13680914 |
| B | 13680102 | CUTOUT 15KV W/LB | 1 | 13680914 |
| C | 13680701 | BRACKET 3 EAR FG 18 IN SGL W/MOUNT BOLT | 1 | 13680914 |

LFASSY1PH6-4/0CUP 13680915 LINE FUSE ASSY 1PH #6-4/0CU PRI

| ID | CU-REF | CU-DESC | QTY | MU-REF |
|----|----------|---|-----|----------|
| A | 13680514 | JUMPER ASSY - LINE FUSE #6-4/0 CU PRI | 1 | 13680915 |
| B | 13680102 | CUTOUT 15KV W/LB | 1 | 13680915 |
| C | 13680701 | BRACKET 3 EAR FG 18 IN SGL W/MOUNT BOLT | 1 | 13680915 |

ARASSY1PH1/0P 13680920 ARRESTOR ASSY 1PH 1/0 PRI

| ID | CU-REF | CU-DESC | QTY | MU-REF |
|----|----------|---|-----|----------|
| A | 13680530 | JUMPER ASSY -ARRESTOR 1/0 AL PRI | 1 | 13680920 |
| B | 13680301 | ARRESTOR FOR OH LINE/XFMR/CAP BANK | 1 | 13680920 |
| C | 13680701 | BRACKET 3 EAR FG 18 IN SGL W/MOUNT BOLT | 1 | 13680920 |

| | | |
|--|--|----------------|
|  | POLE APPARATUS CUTOUT/ARRESTOR AND ASSEMBLIES | 1368-09 |
| | CUTOUT/ARRESTOR ASSEMBLES 1PH | Sheet 3 of 3 |
| Rev: 08/01/20 | | |

| | | |
|--------------|---------------|-----------------------|
| MU-ID | MU-REF | MU-DESCRIPTION |
|--------------|---------------|-----------------------|

| | | |
|---------------|----------|---------------------------|
| ARASSY1PH4/0P | 13680921 | ARRESTOR ASSY 1PH 4/0 PRI |
|---------------|----------|---------------------------|

| ID | CU-REF | CU-DESC | QTY | MU-REF |
|----|----------|---|-----|----------|
| A | 13680531 | JUMPER ASSY - ARRESTOR 4/0 AL PRI | 1 | 13680921 |
| B | 13680301 | ARRESTOR FOR OH LINE/XFMR/CAP BANK | 1 | 13680921 |
| C | 13680701 | BRACKET 3 EAR FG 18 IN SGL W/MOUNT BOLT | 1 | 13680921 |

| | | |
|---------------|----------|---------------------------|
| ARASSY1PH336P | 13680922 | ARRESTOR ASSY 1PH 336 PRI |
|---------------|----------|---------------------------|

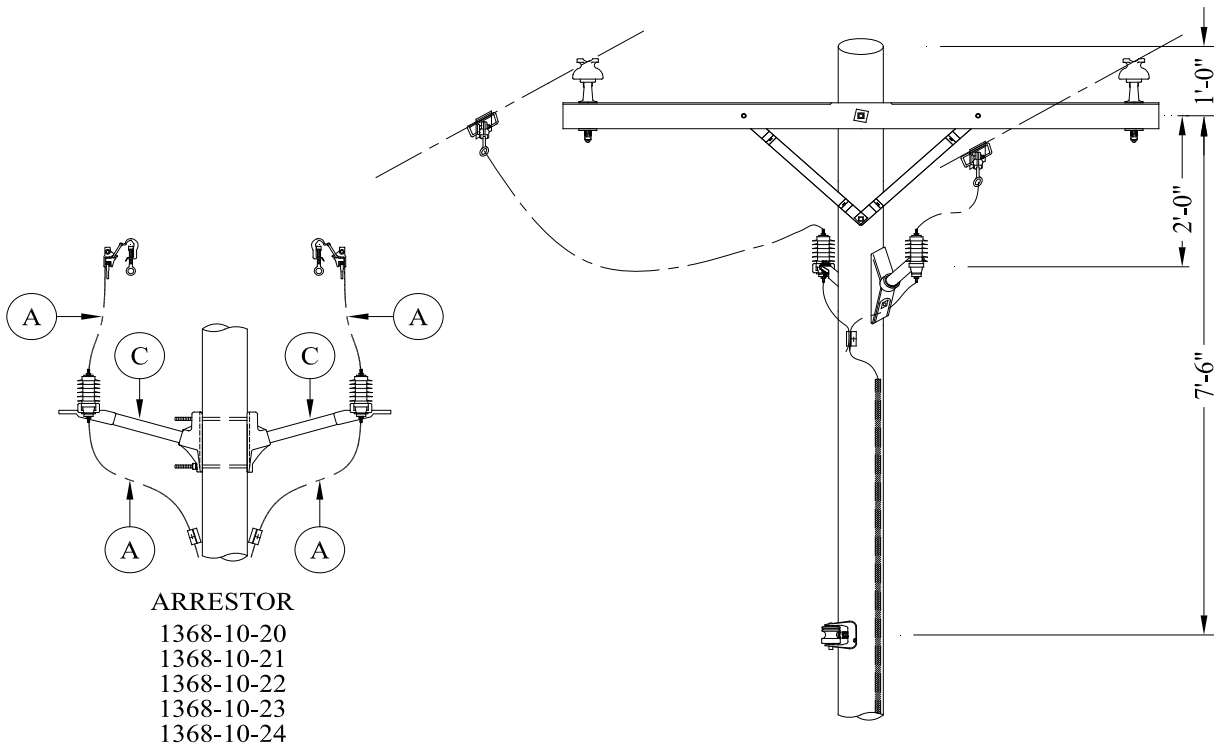
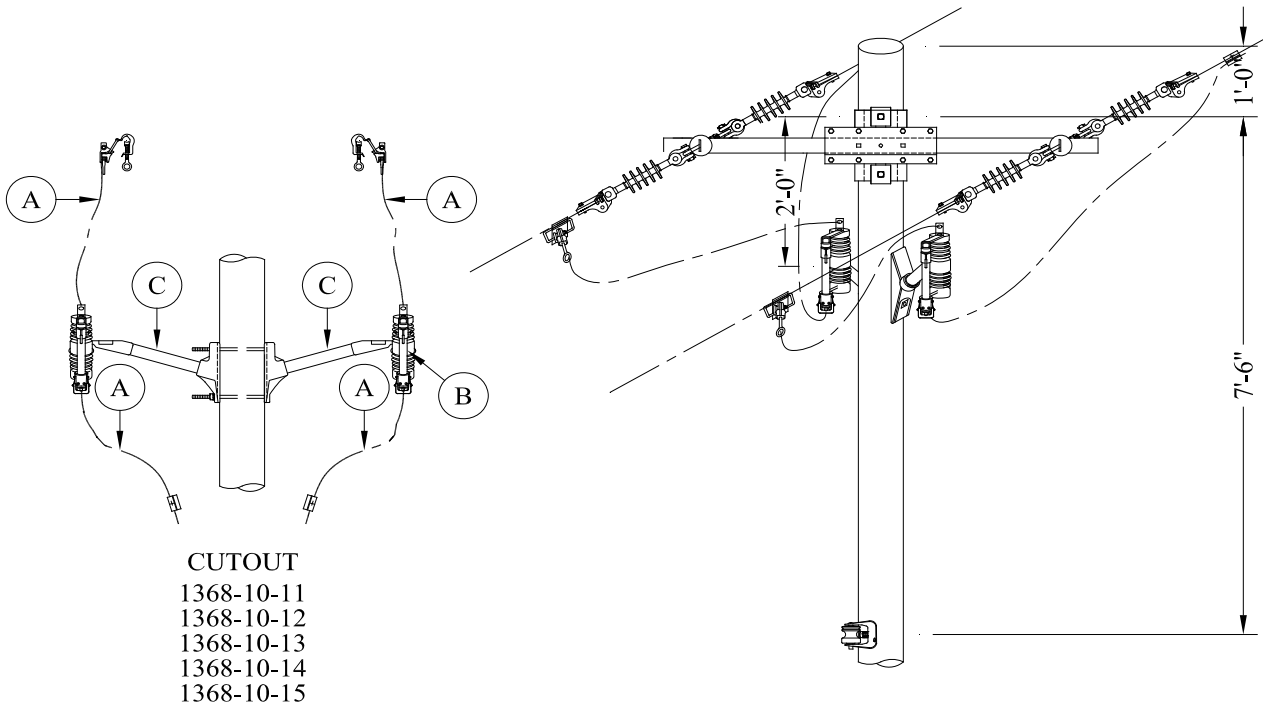
| ID | CU-REF | CU-DESC | QTY | MU-REF |
|----|----------|---|-----|----------|
| A | 13680532 | JUMPER ASSY - ARRESTOR 336 AL PRI | 1 | 13680922 |
| B | 13680301 | ARRESTOR FOR OH LINE/XFMR/CAP BANK | 1 | 13680922 |
| C | 13680701 | BRACKET 3 EAR FG 18 IN SGL W/MOUNT BOLT | 1 | 13680922 |

| | | |
|---------------|----------|---------------------------|
| ARASSY1PH795P | 13680923 | ARRESTOR ASSY 1PH 795 PRI |
|---------------|----------|---------------------------|

| ID | CU-REF | CU-DESC | QTY | MU-REF |
|----|----------|---|-----|----------|
| A | 13680533 | JUMPER ASSY - ARRESTOR 795 AL PRI | 1 | 13680923 |
| B | 13680301 | ARRESTOR FOR OH LINE/XFMR/CAP BANK | 1 | 13680923 |
| C | 13680701 | BRACKET 3 EAR FG 18 IN SGL W/MOUNT BOLT | 1 | 13680923 |

| | | |
|-------------------|----------|--------------------------------|
| ARASSY1PH6-4/0CUP | 13680924 | ARRESTOR ASSY 1PH #6-4/0CU PRI |
|-------------------|----------|--------------------------------|

| ID | CU-REF | CU-DESC | QTY | MU-REF |
|----|----------|---|-----|----------|
| A | 13680534 | JUMPER ASSY - ARRESTOR #6-4/0 CU PRI | 1 | 13680924 |
| B | 13680301 | ARRESTOR FOR OH LINE/XFMR/CAP BANK | 1 | 13680924 |
| C | 13680701 | BRACKET 3 EAR FG 18 IN SGL W/MOUNT BOLT | 1 | 13680924 |



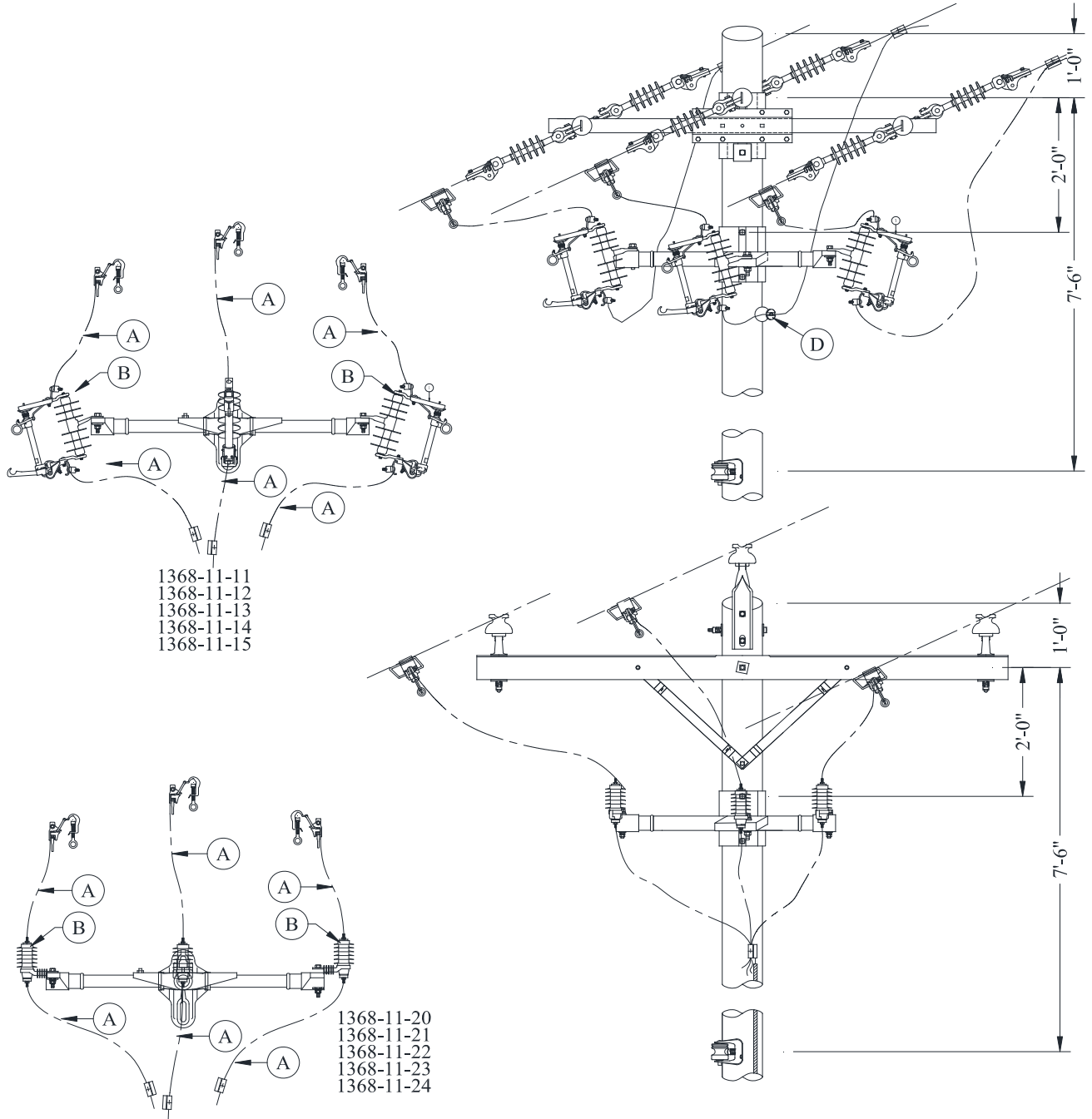


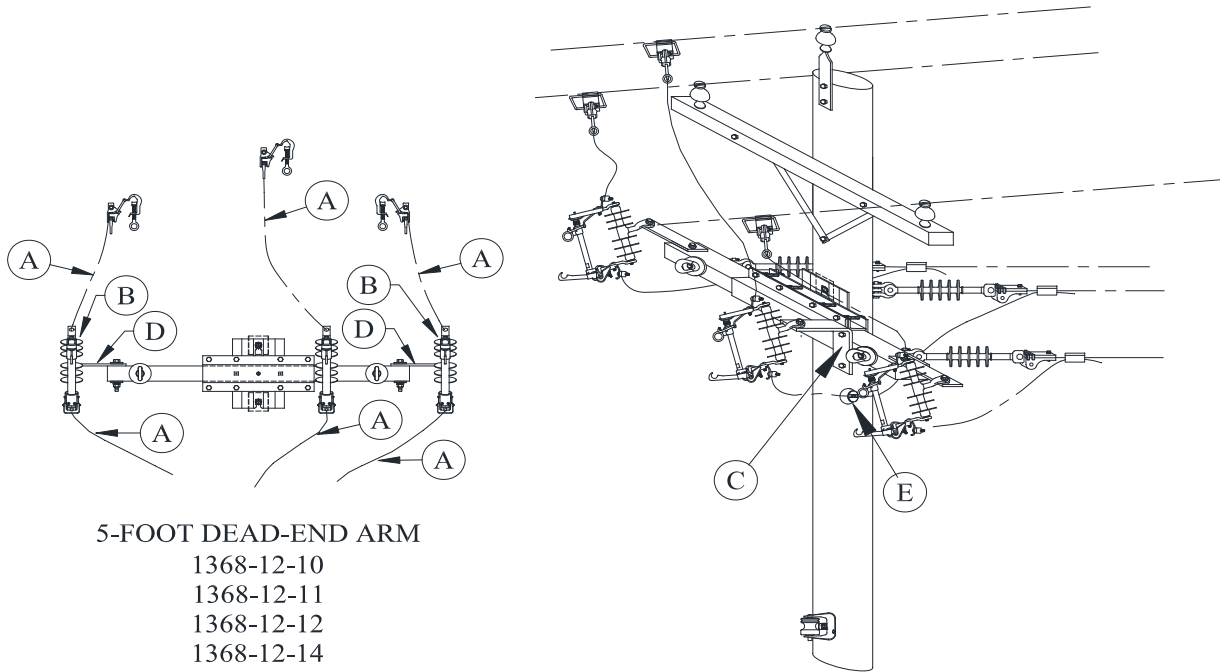
Rev: 08/01/20

POLE APPARATUS CUTOUT/ARRESTOR AND ASSEMBLIES CUTOUT/ARRESTOR BRACKET FOR 3PH

1368-11

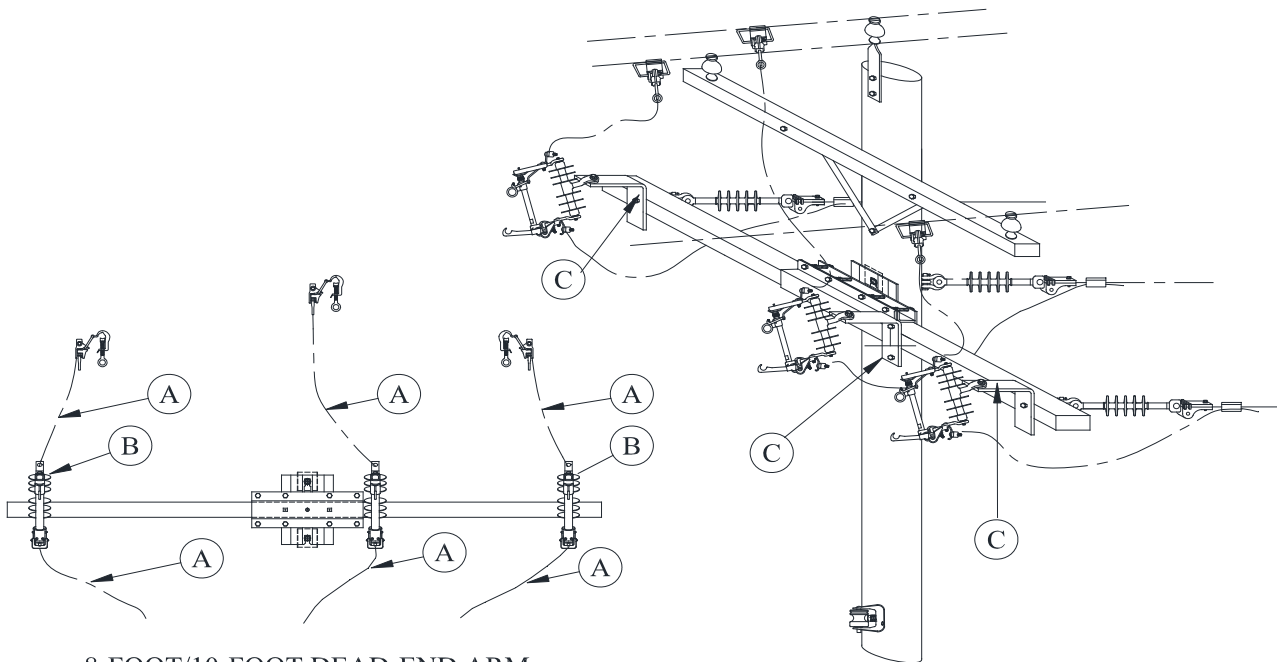
Sheet 1 of 3





5-FOOT DEAD-END ARM

- 1368-12-10
- 1368-12-11
- 1368-12-12
- 1368-12-14
- 1368-12-15



8-FOOT/10-FOOT DEAD-END ARM

- 1368-12-20
- 1368-12-21
- 1368-12-22
- 1368-12-24
- 1368-12-25

