


1120	POLES, HARDWARE, AND FRAMING HARDWARE	
Sheet 1 of 1		
Rev: 07/01/20		

1120

HARDWARE

CONTAINS

- 1120-06 POLE TOP PINS - TANGENT/ANGLE**
- 1120-07 POLE TOP PINS - FIBERGLASS**
- 1120-08 INSULATOR PIN SHORT/LONG 15KV & 48KV**
- 1120-09 INSULATOR STANDOFF PIN**
- 1120-10 RACKS - NEUTRAL/XFMR/SER/SEC**
- 1120-11 FIBERGLASS ARM - PRIMARY**
- 1120-12 XARM BRACE WOOD 26IN SPREAD SGL/DBL**
- 1120-13 XARM BRACE WOOD 60IN SPREAD SGL/DBL**
- 1120-14 BRACE ALLEY ARM - 5'/7'**
- 1120-15A XARMS LD WOOD 8'/10'**
- 1120-15B XARMS LD FIBERGLASS 8'/10'/12'**
- 1120-16A HEAVY DUTY FIBERGLASS DE ARMS**
- 1120-16B HEAVY DUTY STEEL DE ARMS**
- 1120-17 INSULATOR DEADEND - SINGLE**
- 1120-18 INSULATOR DEADEND - DOUBLE**

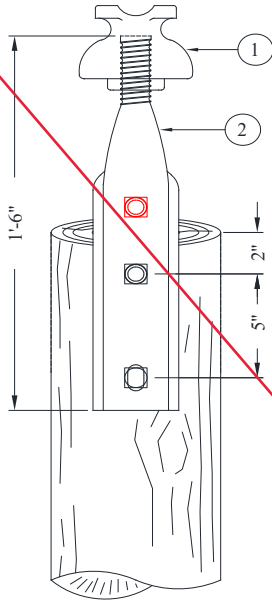
1120-06
Sheet 1 of 2
Rev: 07/01/20

**POLES, HARDWARE, AND FRAMING
HARDWARE
POLE TOP PINS - TANGENT/ANGLE**

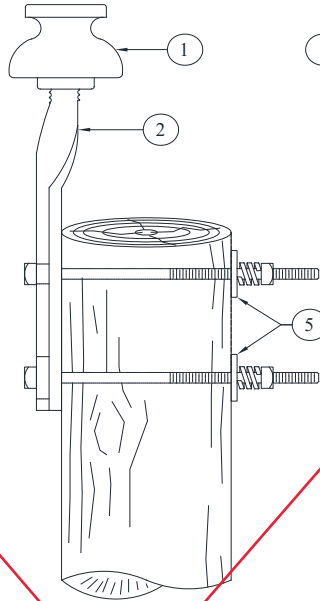


**REFERENCE ONLY - ALL POLE TOP PINS - SHOULD NOW BE
FIBERGLASS POLE TOP PINS 1120-07**

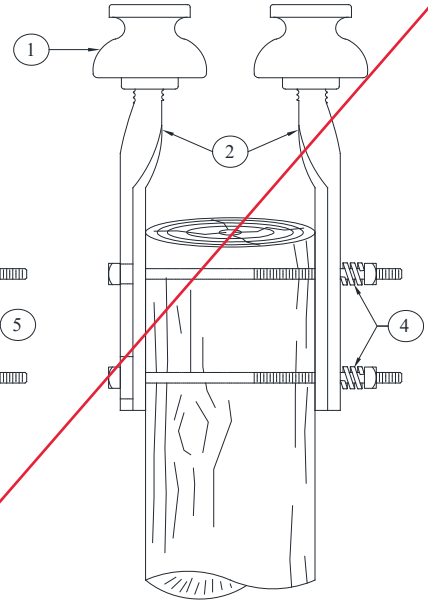
NOTE: TOP HOLE IS NOT USED



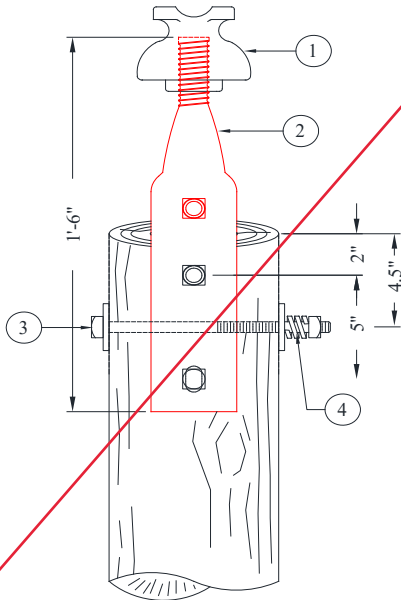
BACK VIEW



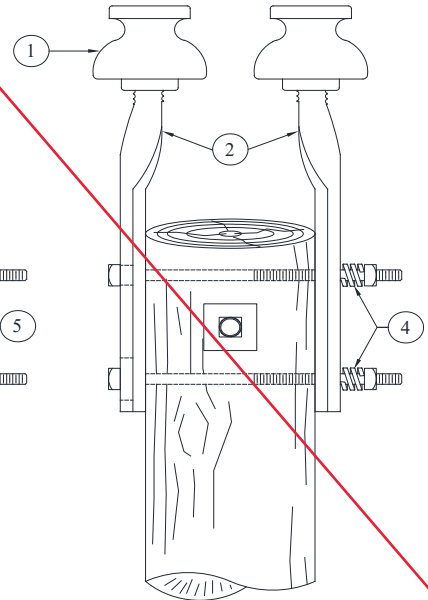
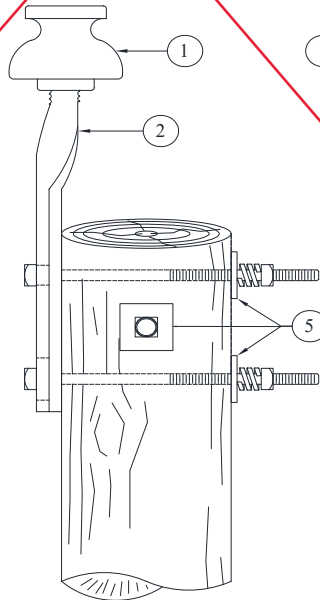
1120-06-01 SINGLE SIDE VIEW
1120-06-02 DOUBLE



1120-06-10 1/2 IN
1120-06-12 1/4 IN

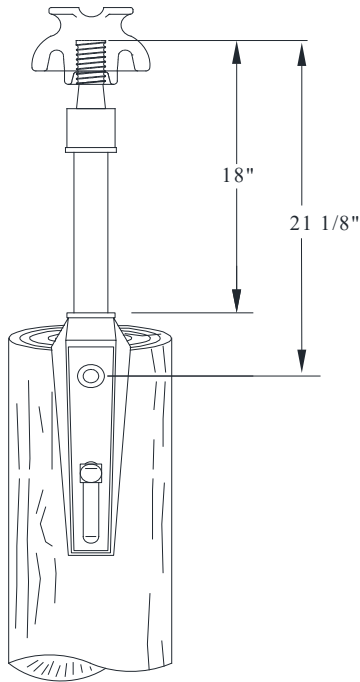


1120-06-03 SINGLE
1120-06-04 DOUBLE



1120-07
Sheet 1 of 2
Rev: 07/01/20

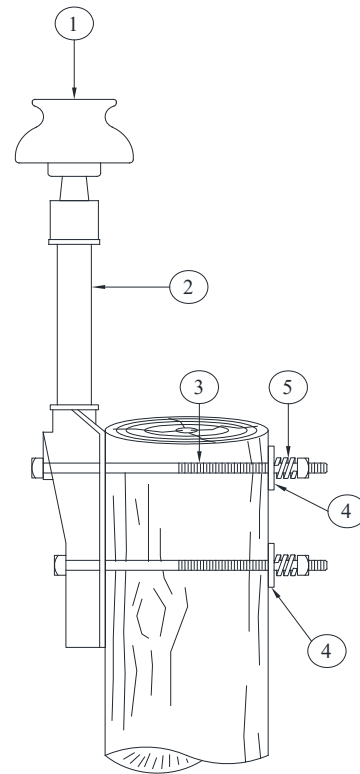
POLES, HARDWARE, AND FRAMING
HARDWARE
POLE TOP PINS - FIBERGLASS



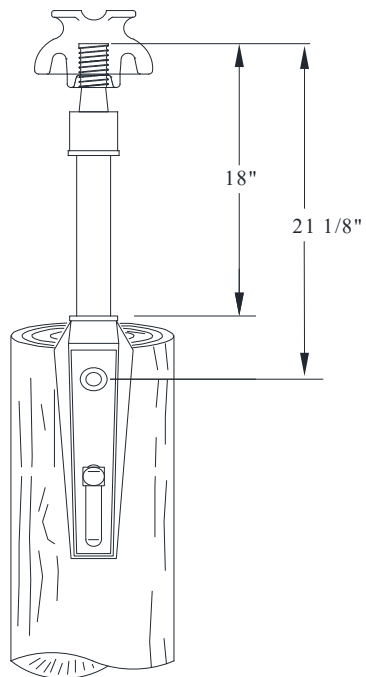
FRONT VIEW

MOUNTING HOLES TO ACCOMMODATE BOTH 6" AND 8" CENTERS

SINGLE
1120-07-01

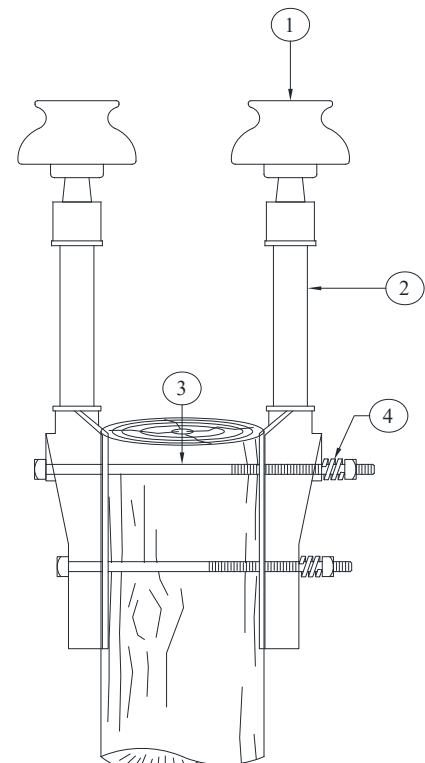


SIDE VIEW



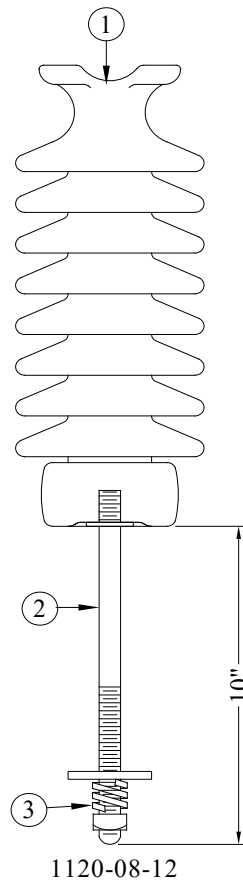
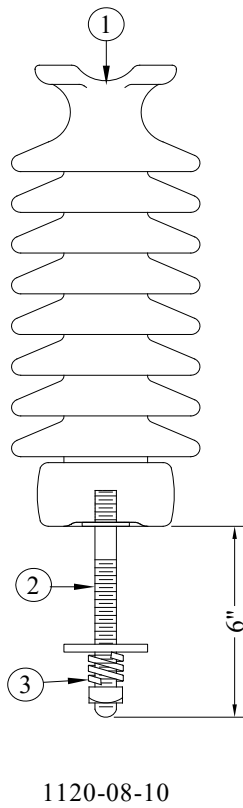
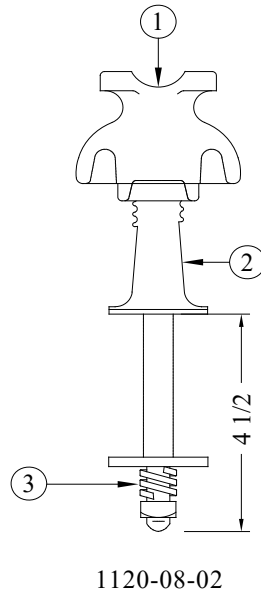
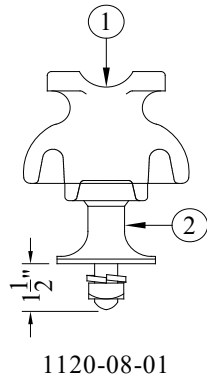
MOUNTING HOLES TO ACCOMMODATE BOTH 6" AND 8" CENTERS

DOUBLE
1120-07-01



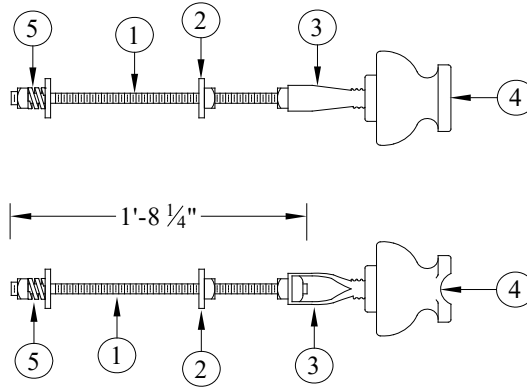
1120-08
Sheet 1 of 2
Rev: 07/01/20

POLES, HARDWARE, AND FRAMING
HARDWARE
INSULATOR PIN-SHORT/LONG SHANK - 15KV AND 48KV

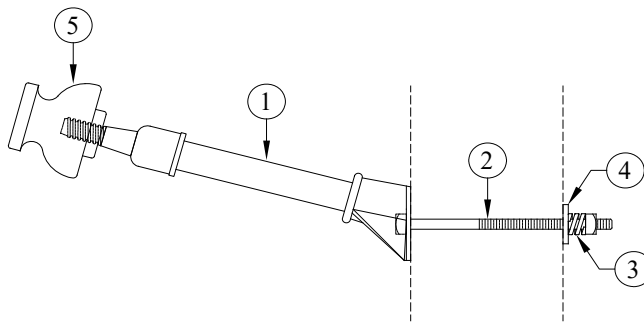


1120-09
Sheet 1 of 2
Rev: 07/01/20

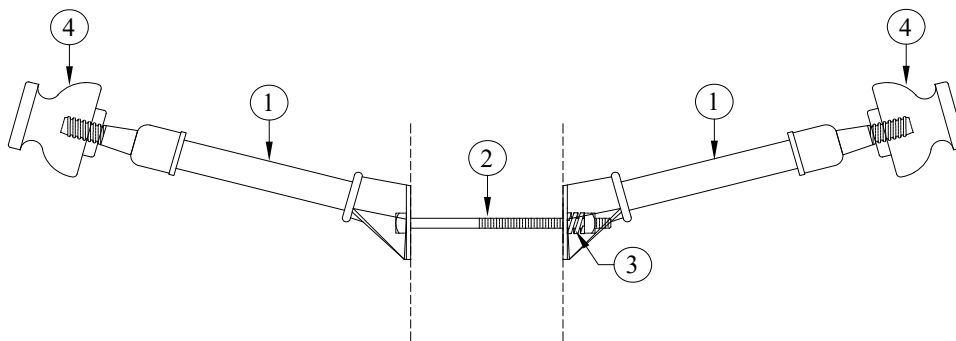
**POLES, HARDWARE, AND FRAMING
HARDWARE
INSULATOR STANDOFF PIN**



**ADAPTOR PIN
1120-09-01**



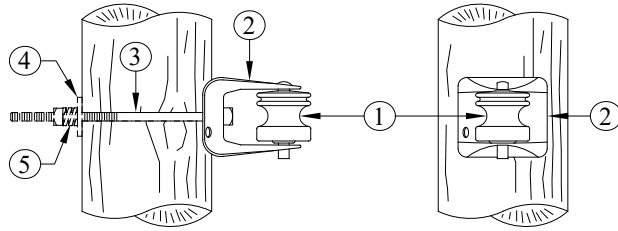
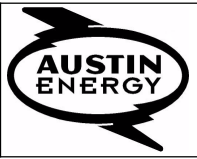
**SINGLE
1120-09-02**



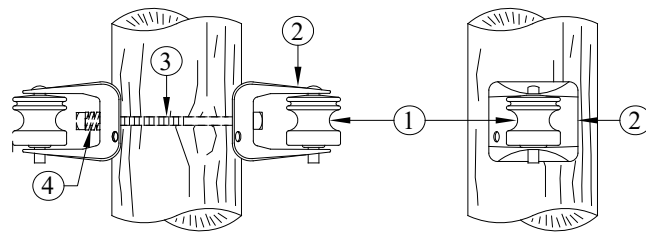
**DOUBLE
1120-09-03**

1120-10
Sheet 1 of 3
Rev: 07/01/20

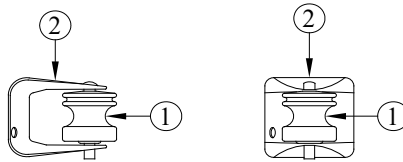
POLES, HARDWARE, AND FRAMING
HARDWARE
RACKS - NEUTRAL/XFMR/SER/SEC



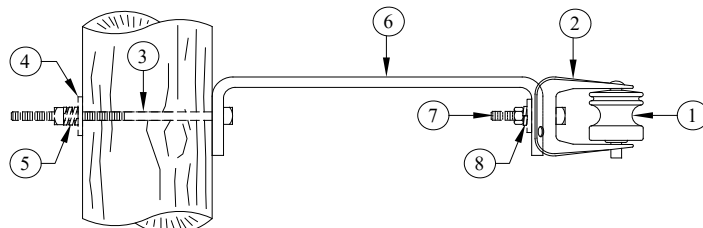
SINGLE RACK & SPOOL
1120-10-01
1120-10-02
1120-10-03



DOUBLE RACK & SPOOL
1120-10-07
1120-10-08
1120-10-09



RACK & SPOOL
1120-10-15

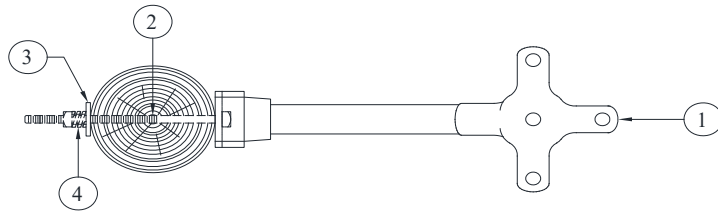


STAND-OFF BRACKET
1120-10-20

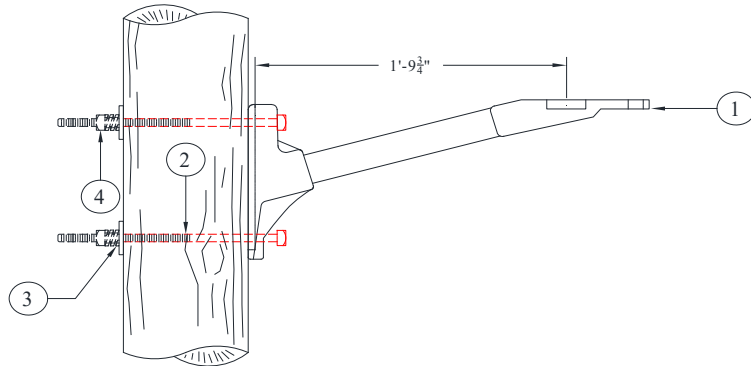
NOTE: CALL FOR EXTRA PIN FOR 1 POINT RACK AS NEEDED

1120-11
Sheet 1 of 2
Rev: 07/01/20

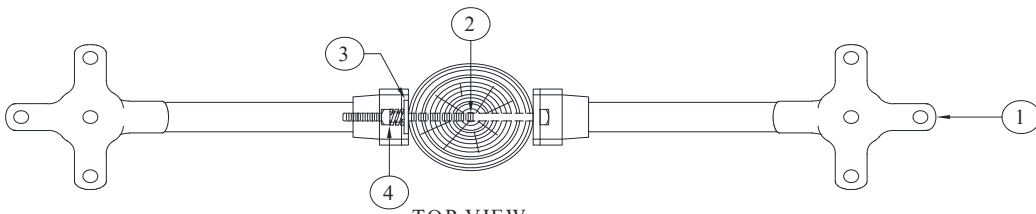
POLES, HARDWARE, AND FRAMING
HARDWARE
FIBERGLASS ARM - PRIMARY



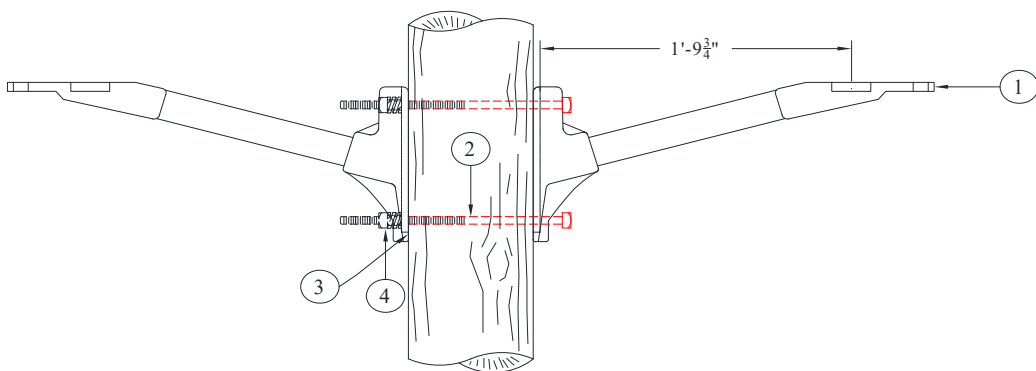
TOP VIEW



SIDE VIEW
1120-11-01 SINGLE



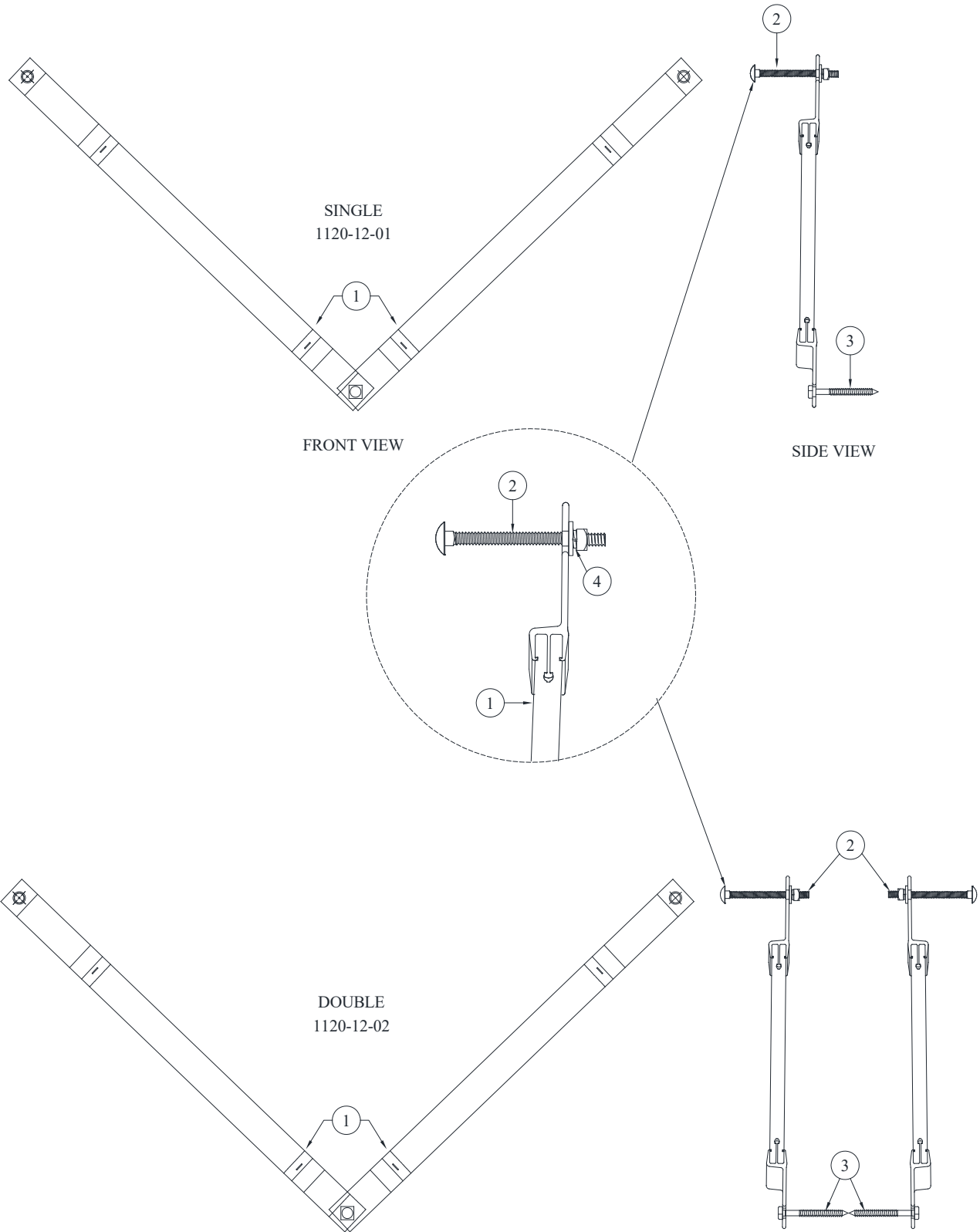
TOP VIEW



SIDE VIEW
1120-11-02 DOUBLE

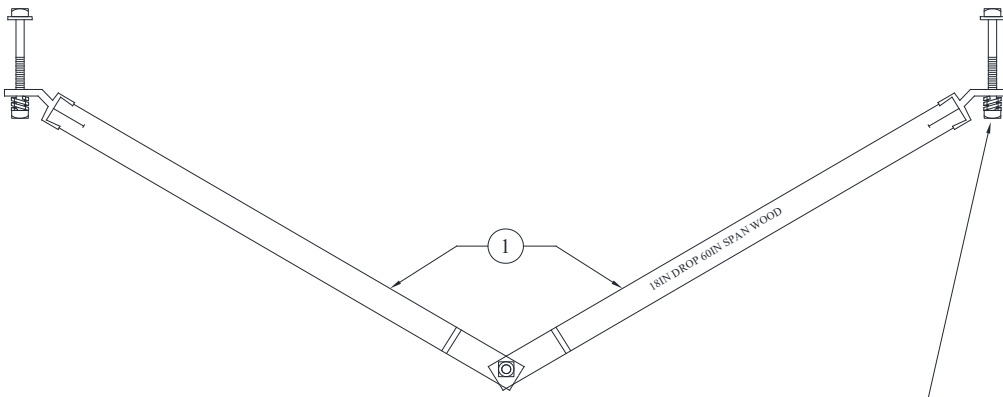
1120-12
Sheet 1 of 2
Rev: 07/01/20

**POLES, HARDWARE, AND FRAMING
HARDWARE
XARM BRACE WOOD 26IN SPREAD SGL/DBL**

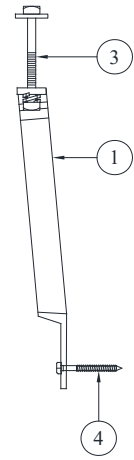


1120-13
Sheet 1 of 2
Rev: 07/01/20

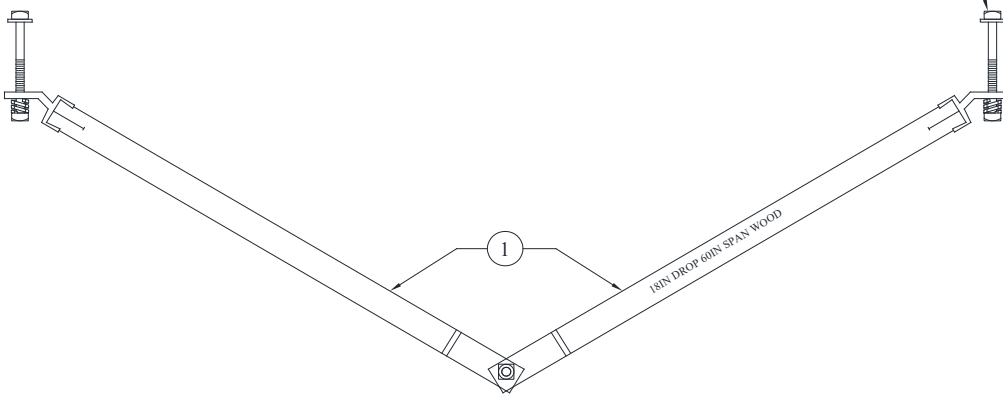
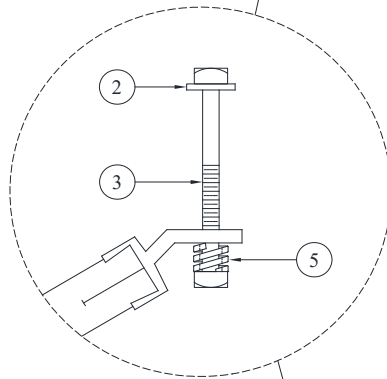
**POLES, HARDWARE, AND FRAMING
HARDWARE
XARM BRACE WOOD 60IN SPREAD SGL/DBL**



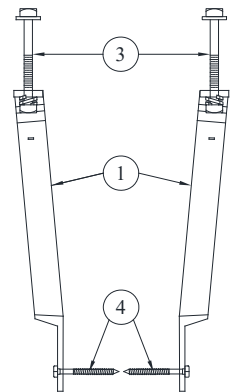
**SINGLE
1120-13-01
FRONT VIEW**




SIDE VIEW



**DOUBLE
1120-13-02**



1120-13	POLES, HARDWARE, AND FRAMING HARDWARE XARM BRACE WOOD 60IN SPREAD SGL/DBL	
Sheet 2 of 2		
Rev: 07/01/20		

CU

CU-ID	CU-REF	CU-DESCRIPTION
--------------	---------------	-----------------------

WDBRACE60INSG10FTXARM	11201301	WOOD BRACE 60 IN FOR SGL 10 FT XARM
-----------------------	----------	-------------------------------------

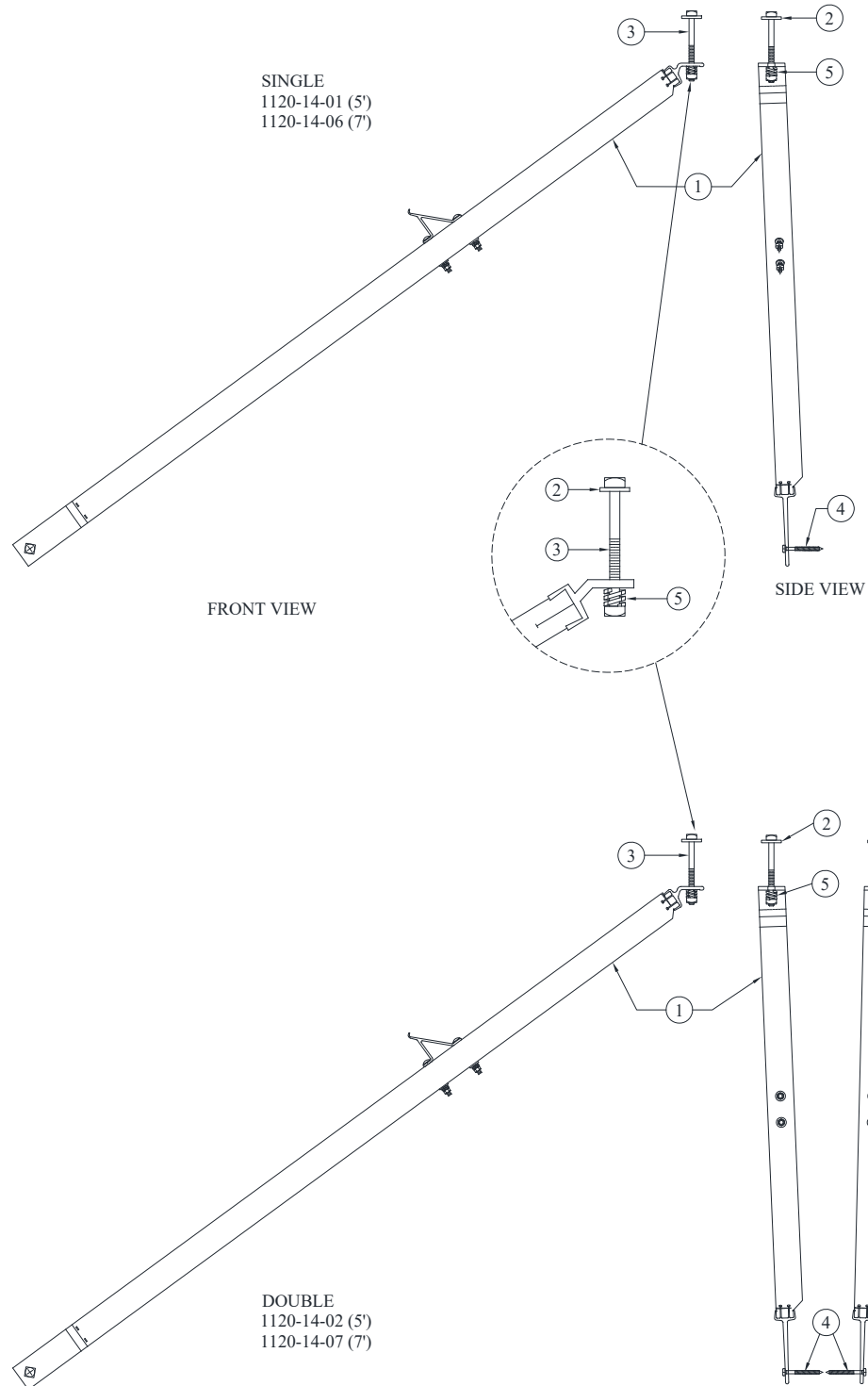
ID	PART NUM	PART DESC	QTY		CU-REF
1	000000871	BRACE CROSS ARM WOOD 60 INCH SPAN FOR 10FT CROSSARM	1	EA	11201301
2	0000001234	WASHER COIL SPRING ZINC FOR 1/2 IN BOLT	2	EA	11201301
3	0000008413	BOLT MACH SQ HEAD HOT DIP GALV G5 1/2 X 6	2	EA	11201301
4	0000008443	BOLT LAG HOT DIP GALV FETTER DRIVE G5CT 1/2 X 4	1	EA	11201301
5	0000008494	WASHER ROUND HOT DIP GALV 1/2 INCH	2	EA	11201301

WDBRACE60INDBL10FTXARM	11201302	WOOD BRACE 60 IN FOR DBL 10 FT XARM
------------------------	----------	-------------------------------------

ID	PART NUM	PART DESC	QTY		CU-REF
1	000000871	BRACE CROSS ARM WOOD 60 INCH SPAN FOR 10FT CROSSARM	2	EA	11201302
2	0000001234	WASHER COIL SPRING ZINC FOR 1/2 IN BOLT	4	EA	11201302
3	0000008413	BOLT MACH SQ HEAD HOT DIP GALV G5 1/2 X 6	4	EA	11201302
4	0000008443	BOLT LAG HOT DIP GALV FETTER DRIVE G5CT 1/2 X 4	2	EA	11201302
5	0000008494	WASHER ROUND HOT DIP GALV 1/2 INCH	4	EA	11201302

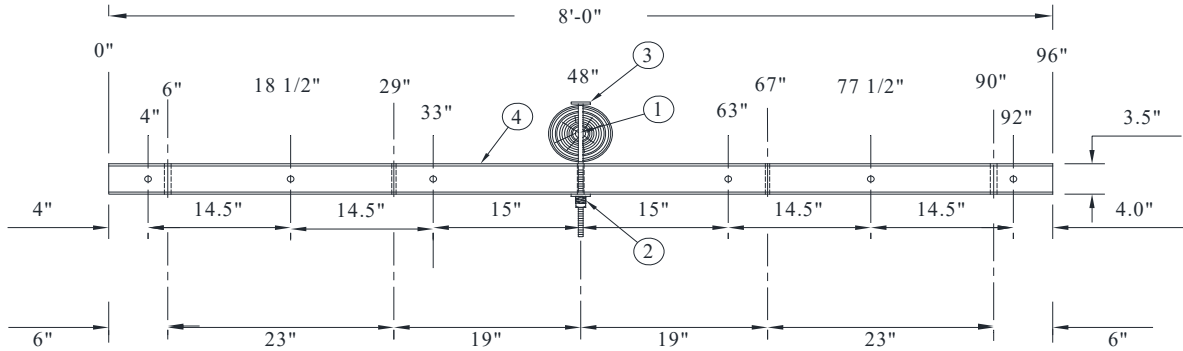
1120-14
Sheet 1 of 2
Rev: 07/01/20

POLES, HARDWARE, AND FRAMING
HARDWARE
BRACE ALLEY ARM - 5'/7'

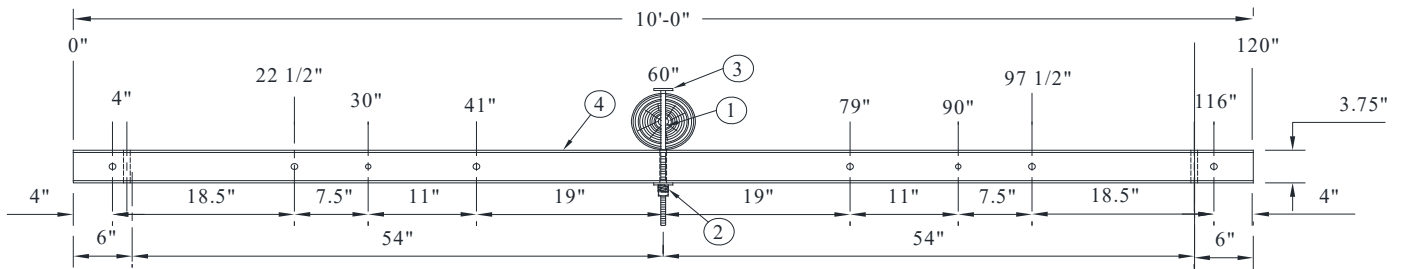


1120-15A
Sheet 1 of 4
Rev: 07/01/20

POLES, HARDWARE, AND FRAMING
HARDWARE
XARMS LD WOOD 8'/10'



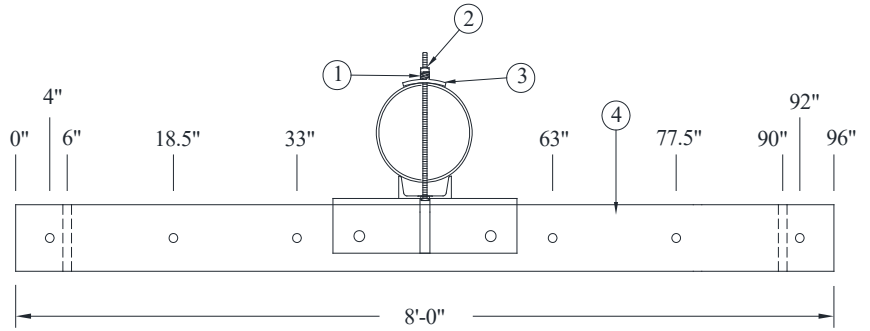
1120-15-1 SINGLE WOOD-8'
 1120-15-2 DOUBLE WOOD-8'



1120-15-3 SINGLE WOOD-10'
 1120-15-4 DOUBLE WOOD-10'

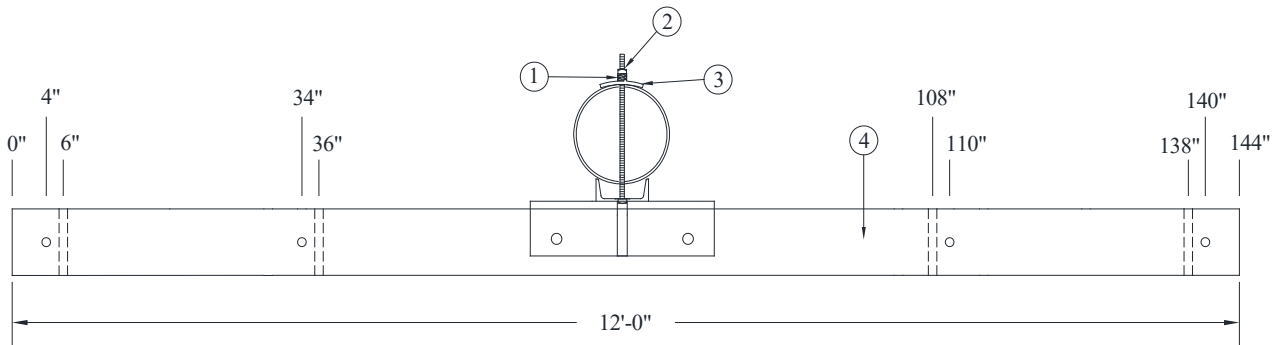
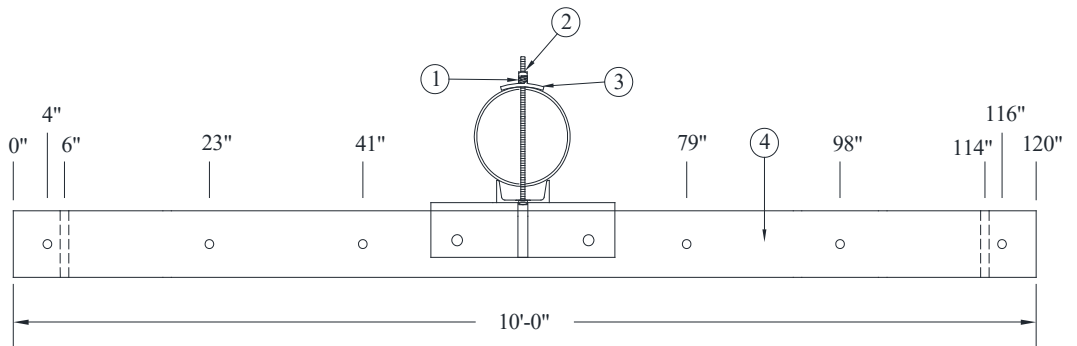
1120-15B
Sheet 2 of 4
Rev: 07/01/20

**POLES, HARDWARE, AND FRAMING
HARDWARE
XARMS LD FIBERGLASS 8'/10'/12'**



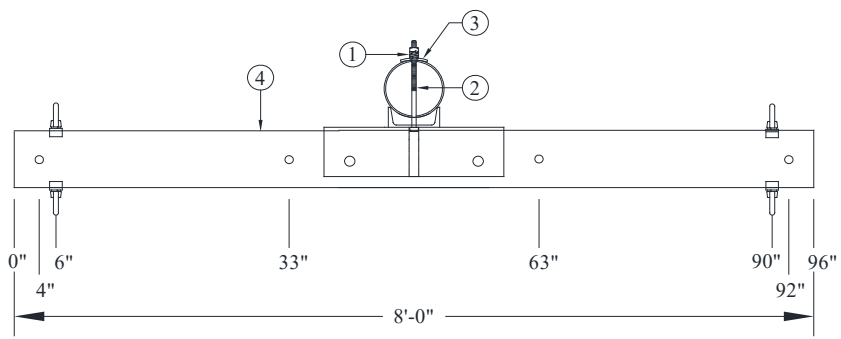
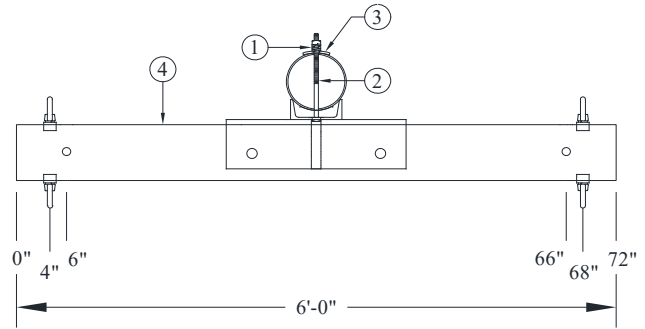
SINGLE FIBERGLASS
 1120-15-06 8FT
 1120-15-08 10FT
 1120-15-10 12FT

DOUBLE FIBERGLASS
 1120-15-07 8FT
 1120-15-09 10FT
 1120-15-12 12FT

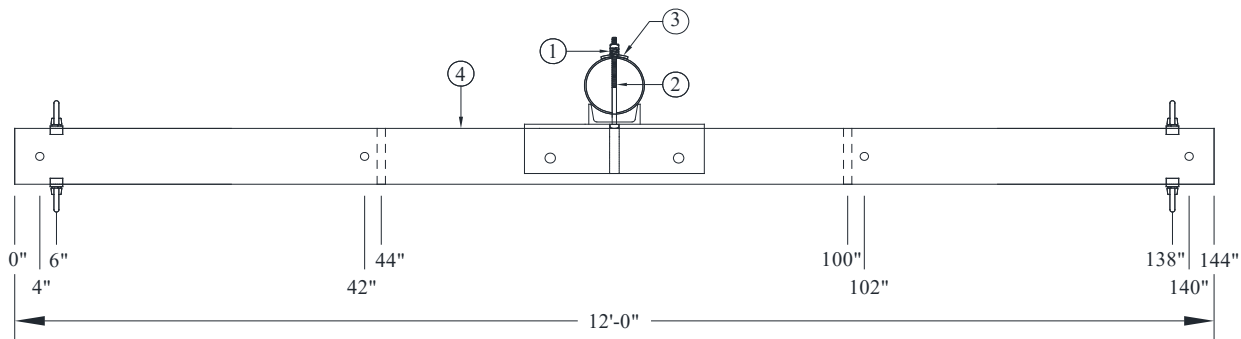
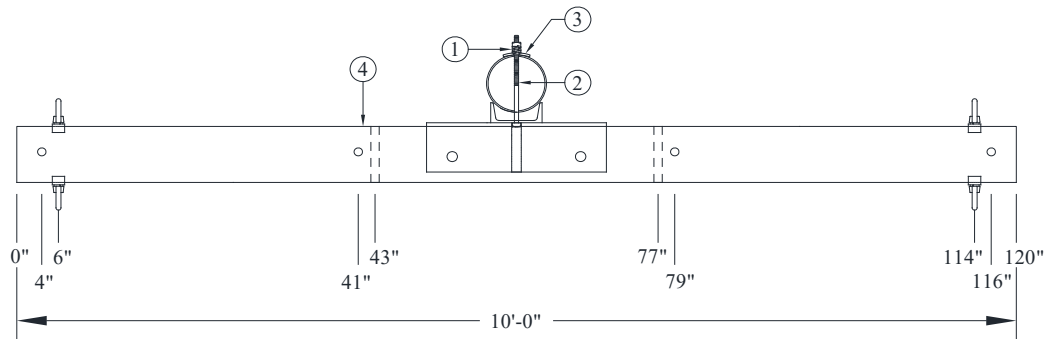


1120-16A
Sheet 1 of 4
Rev: 07/01/20

POLES, HARDWARE, AND FRAMING
HARDWARE
HEAVY DUTY FIBERGLASS DE ARMS

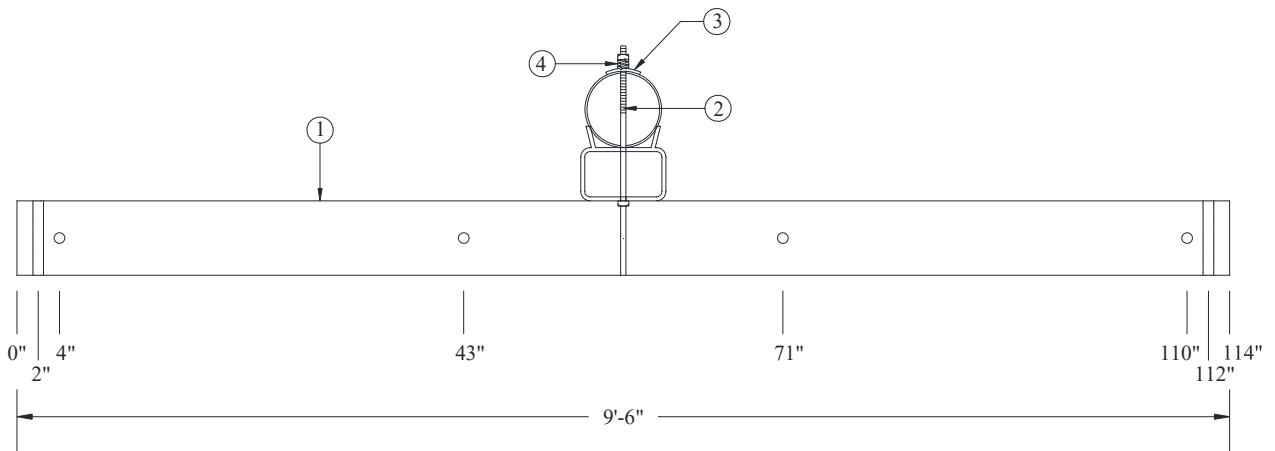
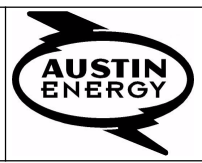


FIBERGLASS
 1120-16-10
 1120-16-11
 1120-16-12
 1120-16-15



1120-16B
Sheet 1 of 2
Rev: 07/01/20

POLES, HARDWARE, AND FRAMING
HARDWARE
HEAVY DUTY STEEL DE ARMS



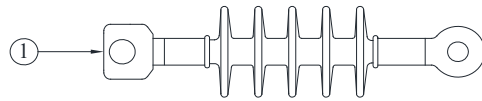
STEEL

1120-16-20

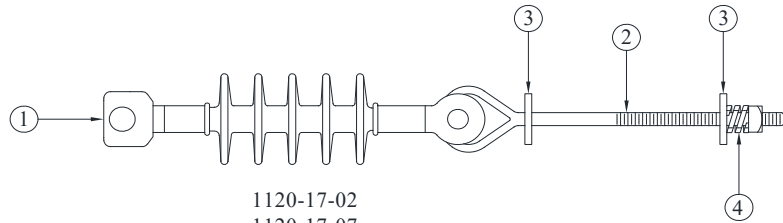
**NOTE: THIS IS PRIMARILY USED IN
UNDERBUILD FRAMING.**

1120-17
Sheet 1 of 3
Rev: 07/01/20

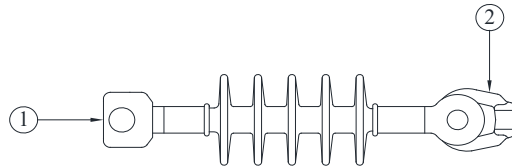
**POLES, HARDWARE, AND FRAMING
HARDWARE
INSULATOR DEADEND - SINGLE**



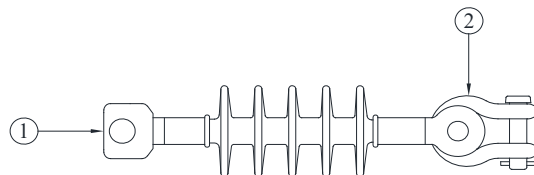
1120-17-01



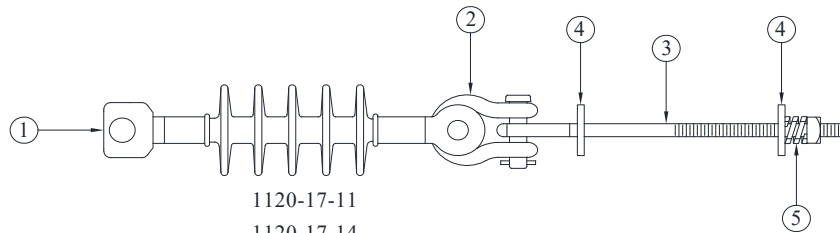
1120-17-02
1120-17-07



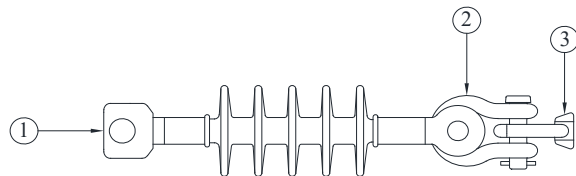
1120-17-03
1120-17-04




1120-17-10



1120-17-11
1120-17-14



1120-17-12
1120-17-13

1120-17	POLES, HARDWARE, AND FRAMING HARDWARE INSULATOR DEADEND - SINGLE	
Sheet 3 of 3		
Rev: 07/01/20		

CU-ID	CU-REF	CU-DESCRIPTION
--------------	---------------	-----------------------

INSDESGL5/8EYENUT/SHK	11201712	INSULATOR DE SGL W/5/8" EYENUT/SHACKLE
-----------------------	----------	--

ID	PART NUM	PART DESC	QTY	EA	CU-REF
1	000000820	INSULATOR DEADEND POLYMER 15 KV	1	EA	11201712
2	0000006509	SHACKLE ANCHOR GALV 25000 LBS	1	EA	11201712
3	0000008470	NUT EYE GALV 5/8 INCH	1	EA	11201712

INSDESGL3/4EYENUT/SHK	11201713	INSULATOR DE SGL W/3/4" EYENUT/SHACKLE
-----------------------	----------	--

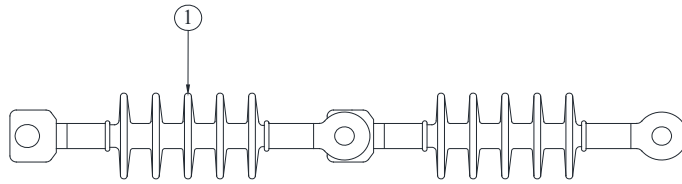
ID	PART NUM	PART DESC	QTY	EA	CU-REF
1	000000820	INSULATOR DEADEND POLYMER 15 KV	1	EA	11201713
2	0000006509	SHACKLE ANCHOR GALV 25000 LBS	1	EA	11201713
3	0000008471	NUT EYE GALV 3/4 INCH	1	EA	11201713

INSDESGL3/4EYEB/SHK	11201714	INSULATOR DE SGL W/3/4" EYEBOLT/SHACKLE
---------------------	----------	---

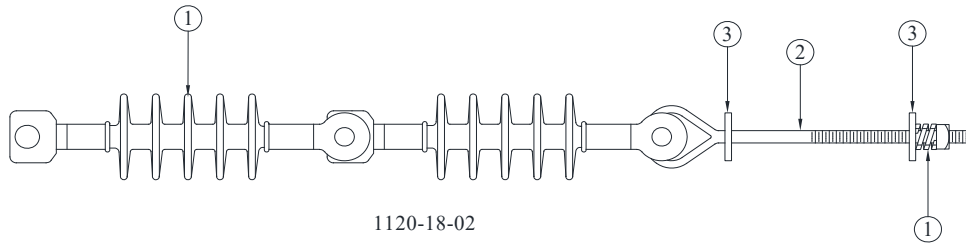
ID	PART NUM	PART DESC	QTY	EA	CU-REF
1	000000820	INSULATOR DEADEND POLYMER 15 KV	1	EA	11201714
2	0000001235	WASHER COIL SPRING ZINC FOR 3/4 IN BOLT	1	EA	11201714
3	0000006509	SHACKLE ANCHOR GALV 25000 LBS	1	EA	11201714
4	0000008442	BOLT BENT EYE HOT DIP GALV CT 3/4 X 12	1	EA	11201714
5	0000008499	WASHER SQ HOT DIP GALV 2-1/4 IN X 2-1/4 IN X 3/16 IN	2	EA	11201714

1120-18
Sheet 1 of 3
Rev: 07/01/20

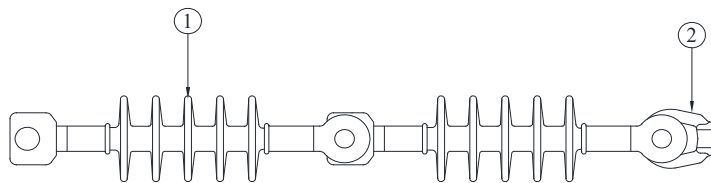
**POLES, HARDWARE, AND FRAMING
HARDWARE
INSULATOR DEADEND - DOUBLE**



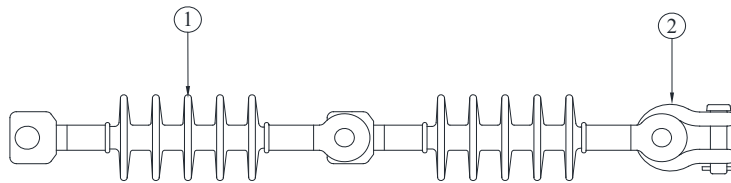
1120-18-01



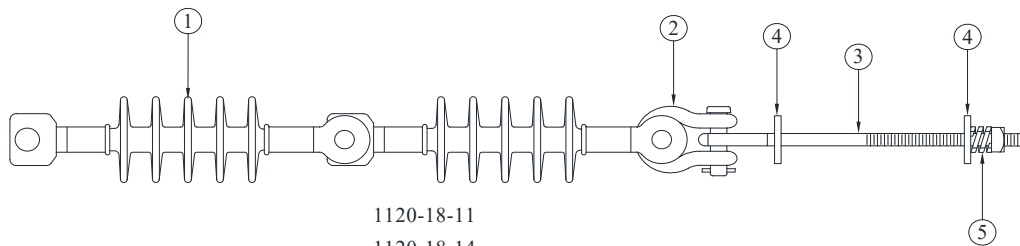
1120-18-02
1120-18-07



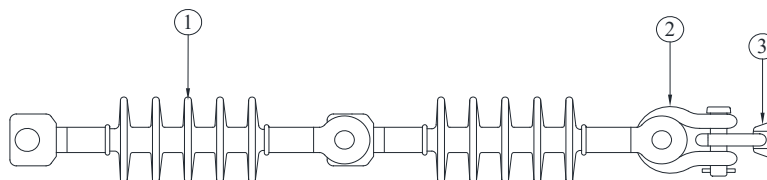
1120-18-03
1120-18-04




1120-18-10



1120-18-11
1120-18-14



1120-18-12
1120-18-13

1120-18	POLES, HARDWARE, AND FRAMING HARDWARE INSULATOR DEADEND - DOUBLE	
Sheet 3 of 3		
Rev: 07/01/20		

CU-ID	CU-REF	CU-DESCRIPTION
--------------	---------------	-----------------------

INSDEDBL5/8EYENUT/SHK	11201812	INSULATOR DE DBL W/5/8" EYENUT/SHACKLE
-----------------------	----------	--

ID	PART NUM	PART DESC	QTY		CU-REF
1	0000000820	INSULATOR DEADEND POLYMER 15 KV	2	EA	11201812
2	0000006509	SHACKLE ANCHOR GALV 25000 LBS	1	EA	11201812
3	0000008470	NUT EYE GALV 5/8 INCH	1	EA	11201812

INSDEDBL3/4EYENUT/SHK	11201813	INSULATOR DE DBL W/3/4" EYENUT/SHACKLE
-----------------------	----------	--

ID	PART NUM	PART DESC	QTY		CU-REF
1	0000000820	INSULATOR DEADEND POLYMER 15 KV	2	EA	11201813
2	0000006509	SHACKLE ANCHOR GALV 25000 LBS	1	EA	11201813
3	0000008471	NUT EYE GALV 3/4 INCH	1	EA	11201813

INSDEDBL3/4EYEB/SHK	11201816	INSULATOR DE DBL W/3/4"EYEB WITH SHACKLE
---------------------	----------	--

ID	PART NUM	PART DESC	QTY		CU-REF
1	0000000820	INSULATOR DEADEND POLYMER 15 KV	2	EA	11201816
2	0000001235	WASHER COIL SPRING ZINC FOR 3/4 IN BOLT	1	EA	11201816
3	0000006509	SHACKLE ANCHOR GALV 25000 LBS	1	EA	11201816
5	0000008499	WASHER SQ HOT DIP GALV 2-1/4 IN X 2-1/4 IN X 3/16 IN	2	EA	11201816
4	0000024290	BOLT BENT EYE HOT DIP GALV CT 3/4 X 14	1	EA	11201816