


1143	POLES, HARDWARE, AND FRAMING	
Sheet 1 of 1	3PH XARM DOUBLE CIRCUIT FRAMING	
Rev: 09/13/20		

1143

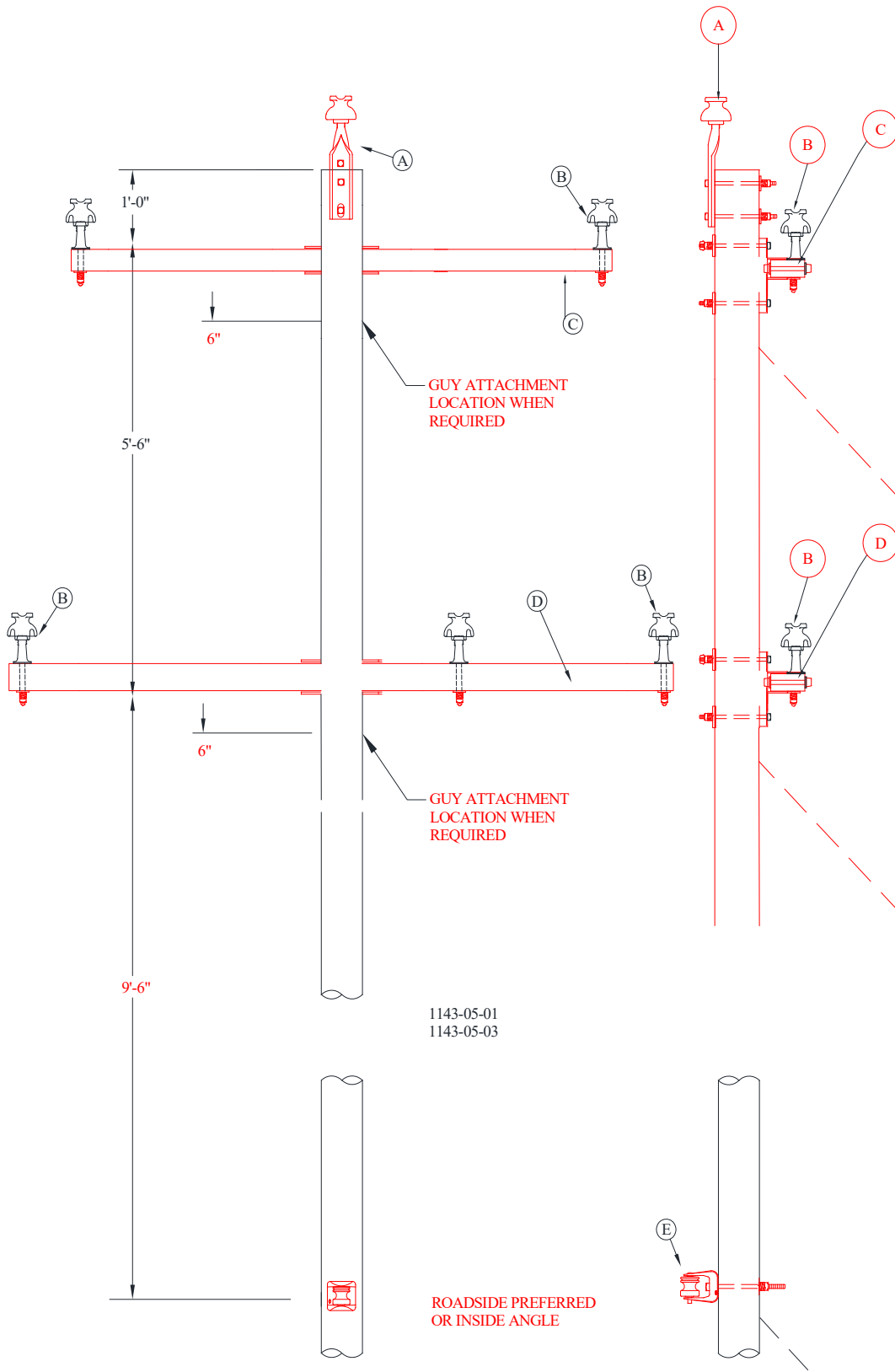
**3 PH XARM
DOUBLE CIRCUIT
FRAMING**

CONTAINS

- 1143-02 3PH - XARM DBL CKT TANGENT/ANGLE**
- 1143-05 3PH - XARM DBL CKT TAN/ANGLE DBL PIN**
- 1143-20 3PH - XARM DBL CKT SGL DEAD END**
- 1143-25 3PH - XARM DBL CKT DBL DEAD END**
- 1143-30 3PH - XARM DBL CKT JUNCTION POLE**

1143-02
Sheet 1 of 2
Rev: 09/13/20

POLES, HARDWARE, AND FRAMING
3PH XARM DBL CKT FRAMING
3PH XARM DBL CKT TANGENT/ANGLE



1143-05-01
1143-05-03

ROADSIDE PREFERRED
OR INSIDE ANGLE

1143-02	POLES, HARDWARE, AND FRAMING 3PH XARM DBL CKT FRAMING 3PH XARM DBL CKT TANGENT/ANGLE
Sheet 2 of 2	
Rev: 09/13/20	



MU

REFERENCE FOR SPAN LENGTH/ANGLE PARAMETERS

MU-REF	WIRE	PARAMETERS
1143-02-01	795	SPAN LENGTH < 250 FT
1143-02-03	795	ANGLE POLE < 09 DEGREES WITH SPAN LENGTH < 250 FT.

MU-ID

MU-REF

MU-DESCRIPTION

3PHXRDBLCKTTSGLPNSGLNU 11430201 3PH XARM DBL CKT TAN SGL PIN SGL NEUT

ID	CU-REF	CU-DESC	QTY	MU-REF
A	11200601	INSULATOR W/POLE TOP PIN SGL-TANGENT	1	11430201
B	11200802	INSULATOR W/LONG SHANK PIN	5	11430201
C	11201506	ARM FIBERGLASS LD SGL 8 FT	1	11430201
D	11201508	ARM FIBERGLASS LD SGL 10 FT	1	11430201
E	11201003	BRKT RACK 1 POINT 14 IN-SGL	1	11430201

3PHXRDBLCKTASGLPNSGLNU 11430203 3PH XARM DBL CKT ANG SGL PIN SGL NEUT

ID	CU-REF	CU-DESC	QTY	MU-REF
A	11200603	INSULATOR W/POLE TOP PIN SGL- ANGLE	1	11430203
B	11200802	INSULATOR W/LONG SHANK PIN	5	11430203
C	11201506	ARM FIBERGLASS LD SGL 8 FT	1	11430203
D	11201508	ARM FIBERGLASS LD SGL 10 FT	1	11430203
E	11201003	BRKT RACK 1 POINT 14 IN-SGL	1	11430203

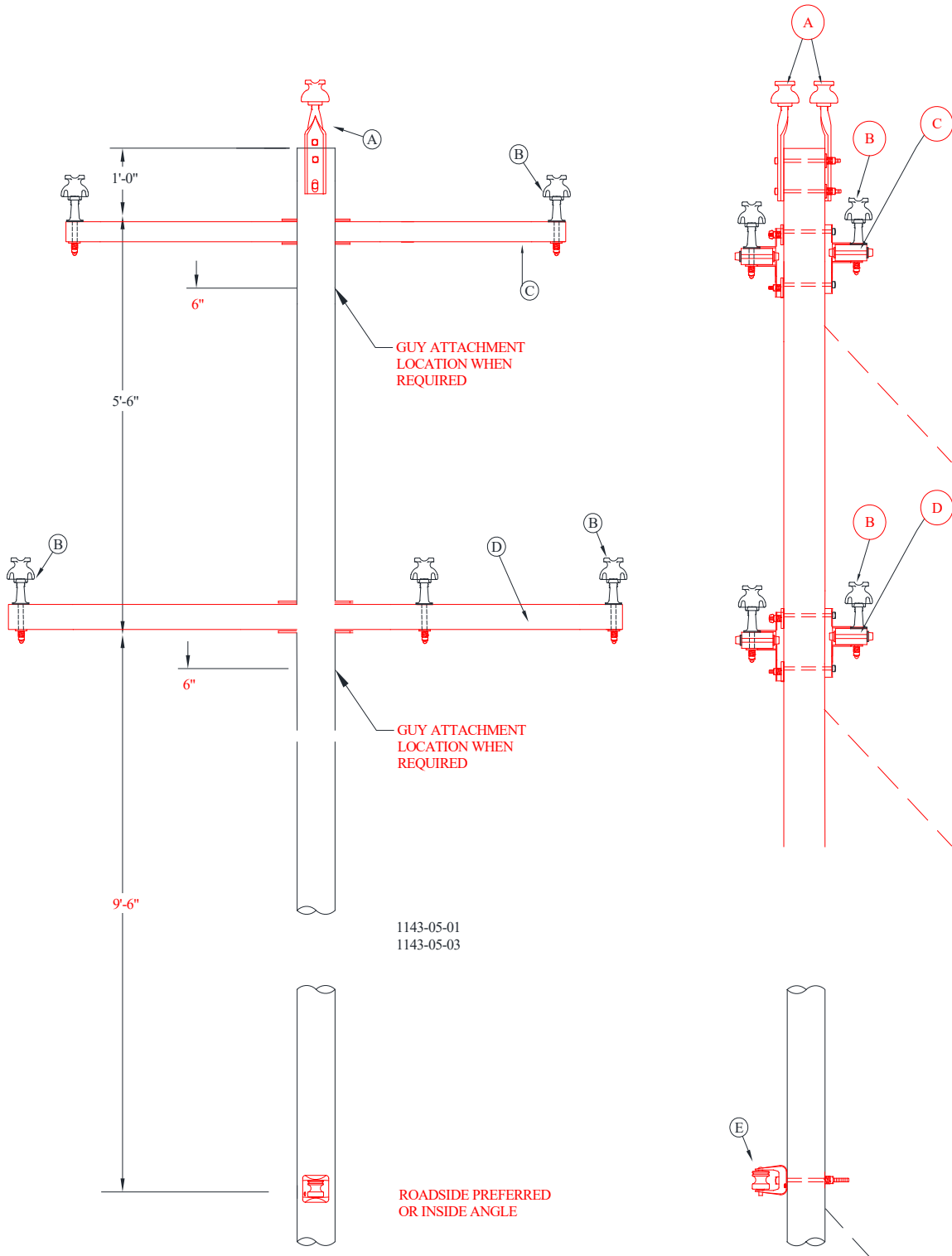
NOTE ADD MODULE 11201003 WHEN SECOND BRACKET IS REQUIRED FOR SECONDARY SERVICE

ASSOCIATED MODULES

	CU-REF	CU-DESCRIPTION	QTY	MU-REF
795-795-4/0	1240-04-10	TIES PREFM SGL 795	6	1143-02-01
	1240-05-50	TIES PREFM SIDE 4/0 NEUTRAL	1	1143-02-01
	1119-10-02	GRD WOOD POLE W/BUTT COIL #6 TO 4/0N	1	1143-02-01
	1240-05-10	TIES PREFM SIDE SGL 795	6	11430203
	1240-05-50	TIES PREFM SIDE 4/0 NEUTRAL	1	11430203
	1119-10-02	GRD WOOD POLE W/BUTT COIL #6 TO 4/0N	1	11430203
	1163-14-20	DG TRP 2-7/16" W/ROD AND 1-3/8" GW	1	11430203

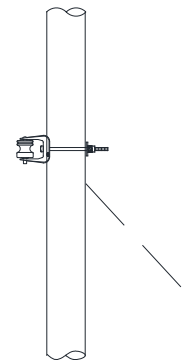
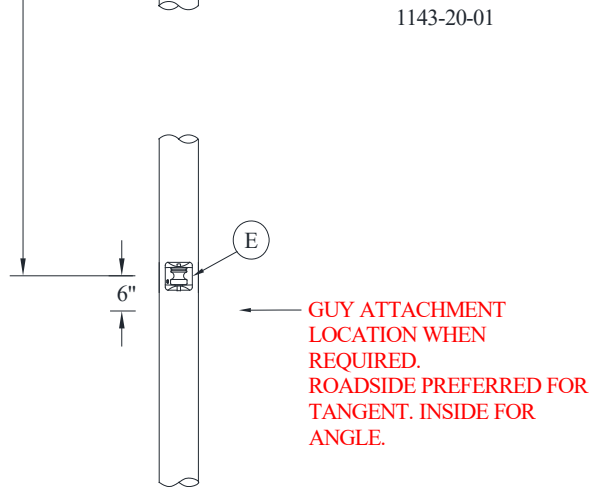
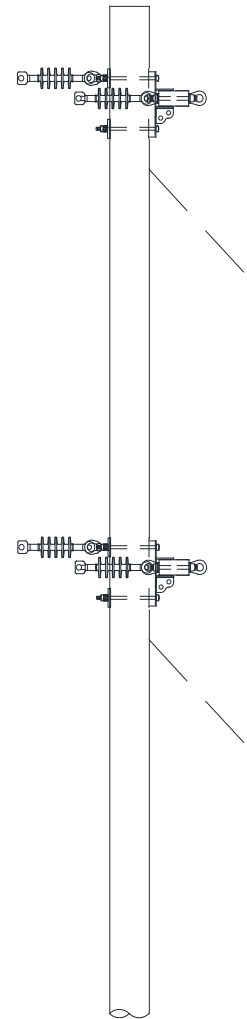
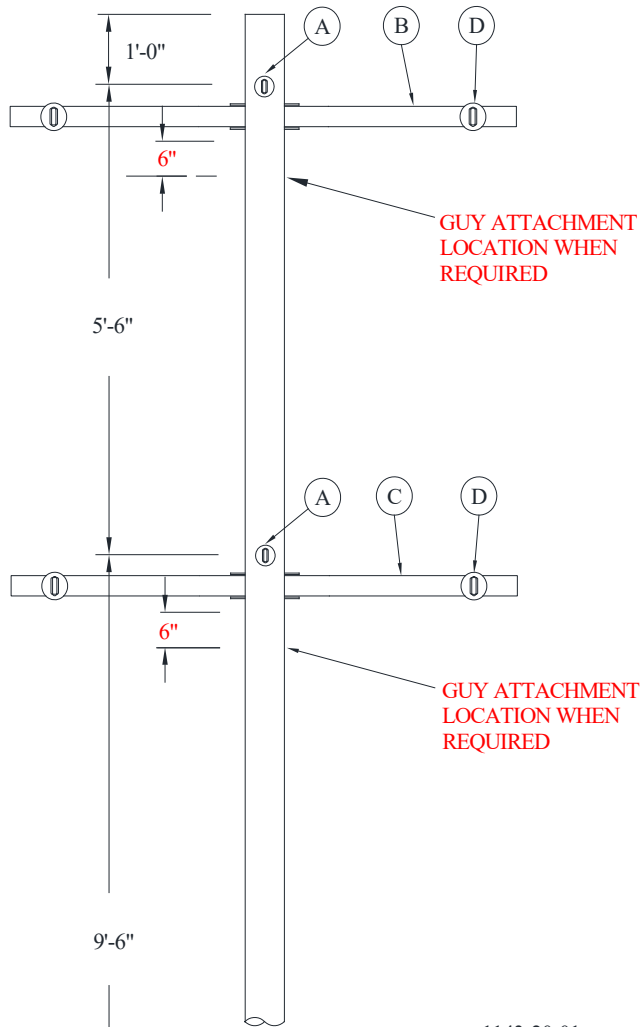
1143-05
Sheet 1 of 2
Rev: 09/13/20

POLES, HARDWARE, AND FRAMING
3PH XARM DBL CKT FRAMING
3PH XARM DBL CKT TANGENT/ANGLE DOUBLE PIN




1143-20
Sheet 1 of 2
Rev: 09/13/20

POLES, HARDWARE, AND FRAMING
3PH XARM DBL CKT FRAMING
3PH XARM DBL CKT SINGLE DEAD END



1143-20-01

1143-20	POLES, HARDWARE, AND FRAMING	
Sheet 2 of 2	3PH XARM DBL CKT FRAMING	
Rev: 09/13/20	3PH XARM DBL CKT SINGLE DEAD END	

MU

MU-ID	MU-REF	MU-DESCRIPTION
--------------	---------------	-----------------------

3PHXRDBLCKTSDE	11432001	3PH XARM DBL CKT SGL DE
----------------	----------	-------------------------

ID	CU-REF	CU-DESC	QTY	MU-REF
A	11201704	INSULATOR DE SGL W/3/4" EYENUT	2	11432001
B	11201611	ARM FIBERGLASS DE HD 8 FT	1	11432001
D	11201701	INSULATOR DE SGL	4	11432001
D	11201612	ARM FIBERGLASS DE HD 10 FT	1	11432001
E	11201003	BRKT RACK 1 POINT 14 IN-SGL	1	11432001

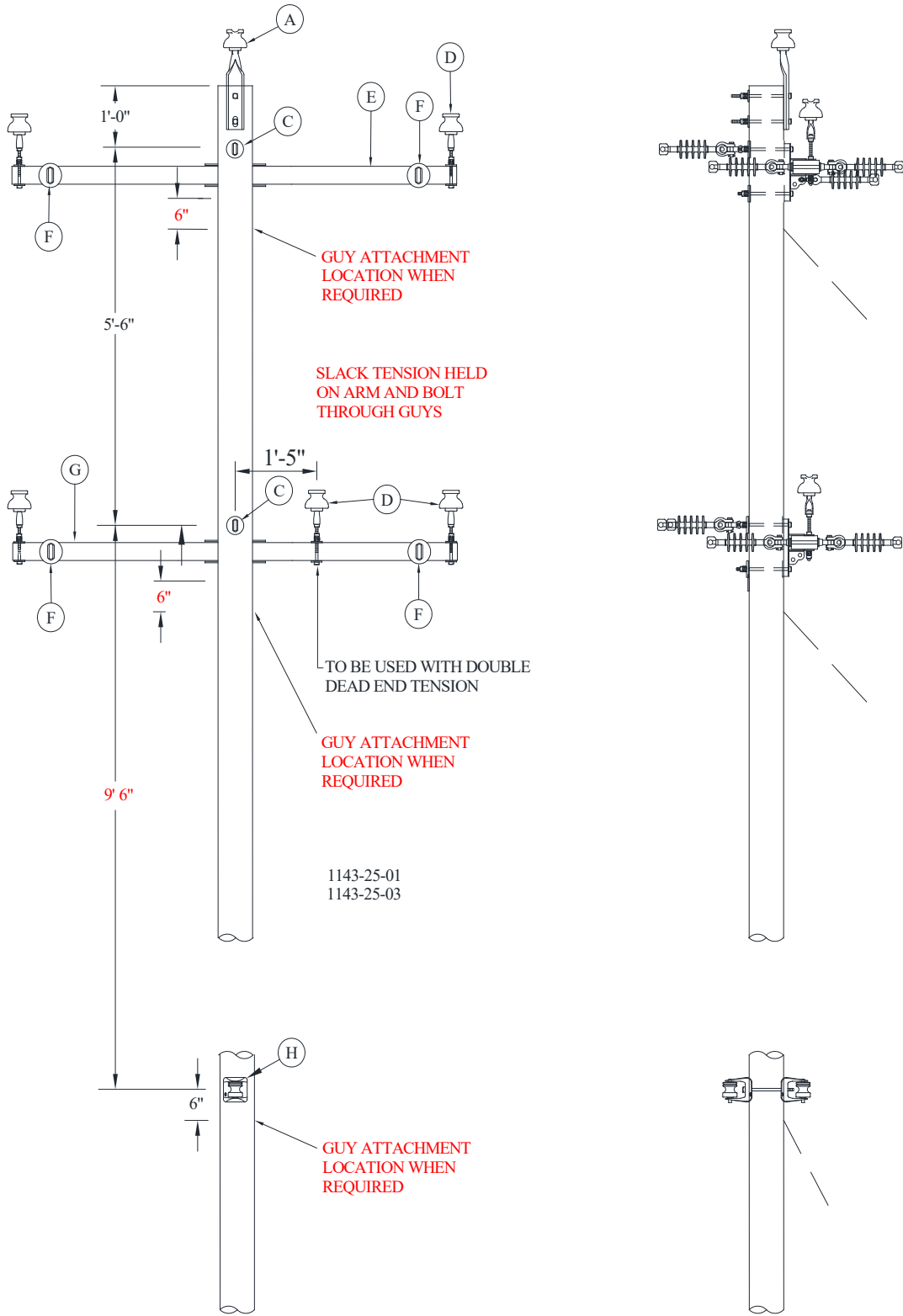
NOTE ADD MODULE 11201003 WHEN SECOND BRACKET IS REQUIRED FOR SECONDARY SERVICE


ASSOCIATED MODULES

	CU-REF	CU-DESCRIPTION	QTY	MU-REF
795-795-4/0	1240-01-07	DEAD END CLAMP 795	6	1143-20-01
	1240-03-40	DEAD END PREFM 4/0 AAC/ACSR	1	1143-20-01
	1119-10-02	GRD WOOD POLE W/BUTT COIL #6 TO 4/0N	1	1143-20-01
	1163-14-20	DG TPL 2-7/16" W/ROD AND 1-3/8" GW	2	1143-20-01

1143-25
Sheet 1 of 3
Rev: 09/13/20

POLES, HARDWARE, AND FRAMING
3PH XARM DBL CKT FRAMING
3PH XARM DBL CKT DBL DEAD END



1143-25	POLES, HARDWARE, AND FRAMING 3PH XARM DBL CKT FRAMING 3PH XARM DBL CKT DBL DEAD END	
Sheet 3 of 3		
Rev: 09/13/20		

ASSOCIATED MODULES-DEAD END/REDUCED TENSION

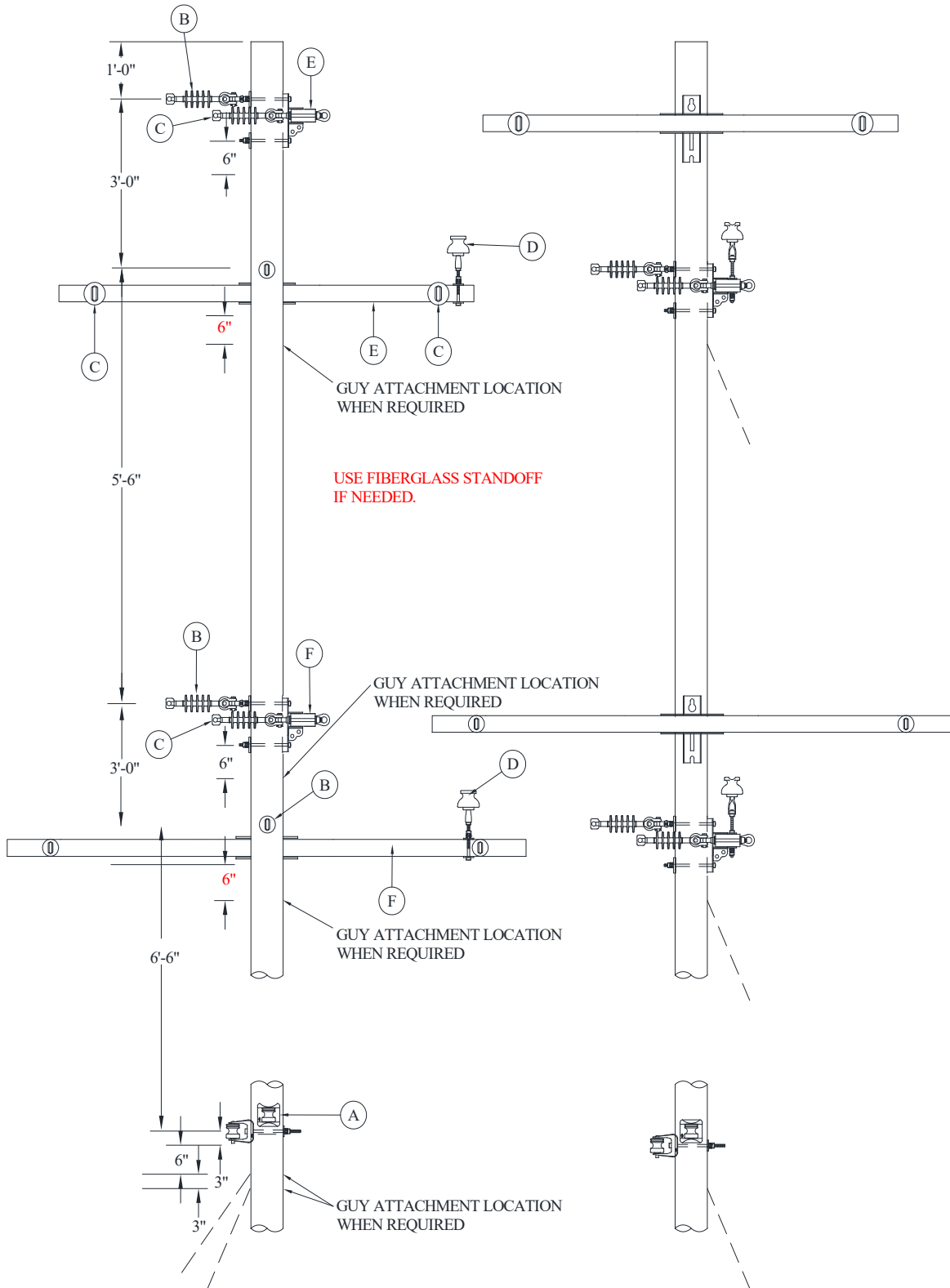
	CU-REF	CU-DESCRIPTION	QTY	MU-REF
795-795-4/0	1240-01-07	DEAD END CLAMP 795	11	1143-25-03
	1240-04-10	TIES PREFM SGL 795	5	1143-25-03
	1240-03-70	DEAD END PREFM 795 REDUCED TEN	1	1143-25-03
	1240-03-40	DEAD END PREFM 4/0 AAC/ACSR	2	1143-25-03
	1119-10-02	GRD WOOD POLE W/BUTT COIL #6 TO 4/0N	1	1143-25-03
	1163-14-20	DG TPL 2-7/16" W/ROD AND 1-3/8" GW	2	1143-25-03
	1245-07-77	CLAMP 2-BOLT 795-795	12	1143-25-03
	1245-02-07	H-TAP CU/AL 4/0-4/0	2	1143-25-03


1143-30
Sheet 1 of 2
Rev: 09/13/20

POLES, HARDWARE, AND FRAMING

3PH XARM DBL CKT FRAMING

3PH XARM DBL CKT JUNCTION POLE



1143-30	POLES, HARDWARE, AND FRAMING 3PH XARM DBL CKT FRAMING 3PH XARM DBL CKT JUNCTION POLE	
Sheet 2 of 2		
Rev: 09/13/20		

MU

MU-ID	MU-REF	MU-DESCRIPTION
3PHXRDBLCKTJN	11433003	3PH XARM DBL CKT JUNCTION POLE

ID	CU-REF	CU-DESC	QTY	MU-REF
A	11201003	BRKT RACK 1 POINT 14 IN-SGL	2	11433003
B	11201704	INSULATOR DE SGL W/3/4" EYENUT	4	11433003
C	11201701	INSULATOR DE SGL	8	11433003
D	11200901	INSULATOR W/ADAPTOR PIN	2	11433003
E	11201611	ARM FIBERGLASS DE HD 8 FT	2	11433003
F	11201612	ARM FIBERGLASS DE HD 10 FT	2	11433003

ASSOCIATED MODULES- FULL TENSION

	CU-REF	CU-DESCRIPTION	QTY	MU-REF
795-795-4/0	1240-01-07	DEAD END CLAMP 795	12	1143-25-01
	1240-04-10	TIES PREFM SGL 795	2	1143-25-01
	1240-03-40	DEAD END PREFM 4/0 AAC/ACSR	2	1143-25-01
	1119-10-02	GRD WOOD POLE W/BUTT COIL #6 TO 4/0N	1	1143-25-01
	1163-14-20	DG TPL 2-7/16" W/ROD AND 1-3/8" GW	4	1143-25-01
	1245-07-77	CLAMP 2-BOLT 795-795	12	1143-25-01
	1245-02-07	H-TAP CU/AL 4/0-4/0	2	1143-25-01

ASSOCIATED MODULES-REDUCED TENSION

	CU-REF	CU-DESCRIPTION	QTY	MU-REF
795-795-4/0	1240-01-07	DEAD END CLAMP 795	12	1143-25-03
	1240-04-10	TIES PREFM SGL 795	2	1143-25-03
	1240-03-40	DEAD END PREFM 4/0 AAC/ACSR	2	1143-25-03
	1119-10-02	GRD WOOD POLE W/BUTT COIL #6 TO 4/0N	1	1143-25-03
	1245-07-77	CLAMP 2-BOLT 795-795	12	1143-25-03
	1245-02-07	H-TAP CU/AL 4/0-4/0	2	1143-25-03