



1245	CONDUCTORS AND HARDWARE	
Sheet 1 of 1	OH AND UG CONNECTORS	
Rev: 08/01/20		

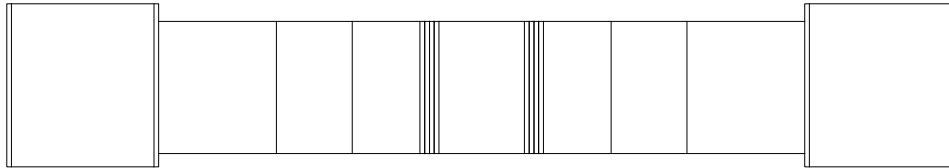
1245

OH AND UG CONNECTORS


CONTAINS

- 1245-01 INSULINK CONNECTORS**
- 1245-02 H-TAP COMPRESSION**
- 1245-03 CONNECTOR PIERCING SEC/SER**
- 1245-04 SPLIT BOLT CONNECTORS**
- 1245-05 CONNECTOR 2-BOLT W/SPACER SEC/SERV**
- 1245-06 CONNECTOR BOLTED 4-WAY & 6-WAY**
- 1245-07 2/1 BOLT CLAMPS**
- 1245-08 ONE HOLE COMPRESSION LUG**
- 1245-10 TWO HOLE COMPRESSION LUG**
- 1245-11 TWO HOLE LUGS W/BOLTS SGL/DBL**
- 1245-20 MOLE TAP CU/AL SEC 600V**
- 1245-21 CONNECTOR URD SEC 4 & 6 POSITION**
- 1245-25 GROUND CLAMPS**

1245-01	CONDUCTORS AND HARDWARE OH AND UG CONNECTORS INSULINK CONNECTORS	
Sheet 1 of 3		
Rev: 08/01/20		



- 1245-01-01 INSULATED CU/AL #4-#8
- 1245-01-02 INSULATED CU/AL #4-#6
- 1245-01-03 INSULATED CU/AL #4-#4
- 1245-01-04 INSULATED CU/AL #4-#2
- 1245-01-05 INSULATED CU/AL #4-1/0
- 1245-01-06 INSULATED CU/AL #2-1/0
- 1245-01-07 INSULATED CU/AL 1/0-1/0
- 1245-01-11 CU/AL 1/0-2/0
- 1245-01-12 CU/AL 1/0-3/0
- 1245-01-13 CU/AL 1/0-4/0
- 1245-01-14 CU/AL 4/0-4/0
- 1245-01-15 INSULATED CU/AL 4/0-4/0
- 1245-01-20 COVER 4 INCH

1245-01	CONDUCTORS AND HARDWARE OH AND UG CONNECTORS INSULINK CONNECTORS	
Sheet 3 of 3		
Rev: 08/01/20		

CU-ID	CU-REF	CU-DESCRIPTION
--------------	---------------	-----------------------

LINKETCU/AL4/0-4/0	12450114	LINKET CU/AL 4/0-4/0
--------------------	----------	----------------------

ID	PART NUM	PART DESC	QTY	EA	CU-REF
1	0000005523	CONNECTOR COMP SERV ENTRANCE 4/0 COP 4/0 ACSR	1	EA	12450114

LINKETINSCU/AL4/0-4/0	12450115	LINKET INSUL CU/AL 4/0 - 4/0
-----------------------	----------	------------------------------

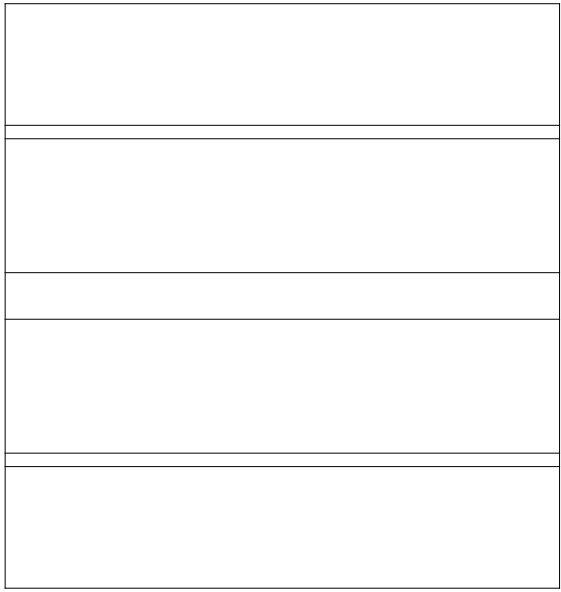
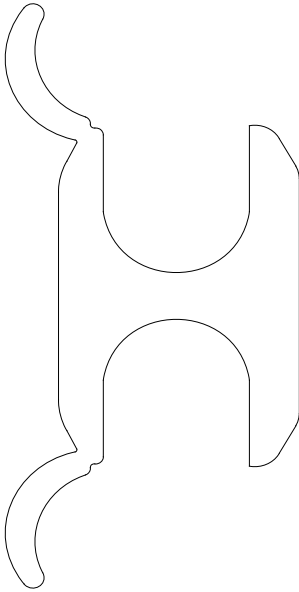
ID	PART NUM	PART DESC	QTY	EA	CU-REF
1	0000005523	CONNECTOR COMP SERV ENTRANCE 4/0 COP 4/0 ACSR	1	EA	12450115

LINKETCOVER	12450120	LINKET COVER 4-IN
-------------	----------	-------------------

ID	PART NUM	PART DESC	QTY	EA	CU-REF
1	0000007413	COVER INSULATING FOR 4 INCH COMP SLEEVE	1	EA	12450120

1245-02
Sheet 1 of 2
Rev: 08/01/20

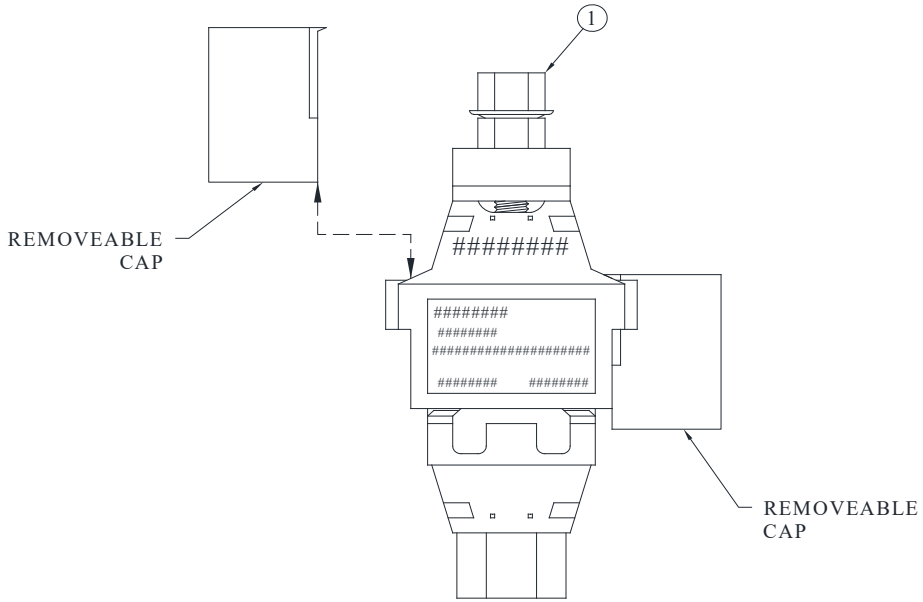
CONDUCTORS AND HARDWARE
OH AND UG CONNECTORS
H- TAP COMPRESSION



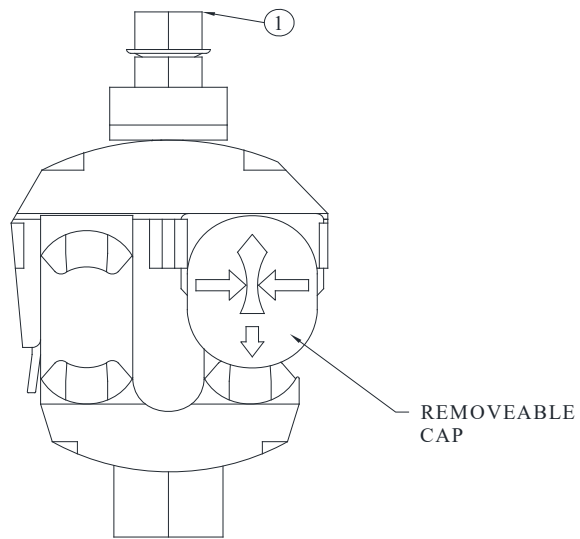
- 1245-02-01 H-TAP CU/AL #6-#6
- 1245-02-02 H-TAP CU/AL 1/0-#6
- 1245-02-03 H-TAP CU/AL 1/0-#12
- 1245-02-04 H-TAP CU/AL 1/0-1/0
- 1245-02-05 H-TAP CU/AL 4/0-#6
- 1245-02-06 H-TAP CU/AL 4/0-1/0
- 1245-02-07 H-TAP CU/AL 4/0-4/0

1245-03
Sheet 1 of 2
Rev: 08/01/20

**CONDUCTORS AND HARDWARE
OH AND UG CONNECTORS
CONNECTOR PIERCING SEC/SER**



FRONT VIEW



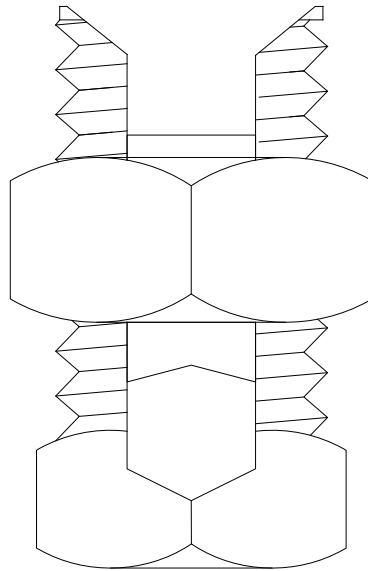
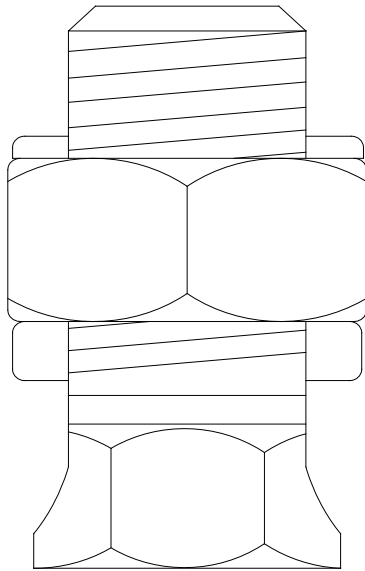
SIDE VIEW

1245-03-21 SEC 1/0-#8 TO #2-#10
1245-03-23 4/0-#2 TO 4/0-#4

- NOTES:**
1. DO NOT REMOVE THE INSULATION FROM THE CABLES BEFORE INSTALLING THESE CONNECTORS.
 2. ENSURE PROPER SIZE CONNECTORS ARE USED FOR THE PARTICULAR CONDUCTOR COMBINATIONS. SIZE AND APPLICATION INFORMATION ARE STAMPED ON THE CONNECTOR.
 3. NEVER USE AN IMPACT WRENCH TO INSTALL THESE CONNECTORS. ALWAYS USE A RATCHET AND SOCKET. TIGHTEN UNTIL THE OUTER NUT BREAKS OFF
 4. CONSTRUCTION USES PIERCING CONNECTORS FOR TEMP SERVICE.. METERING USES FOR HOT SERVICES FOR CT METERING CABLES AND HOT CONNECTS FOR ROUTERS.

1245-04
Sheet 1 of 2
Rev: 08/01/20

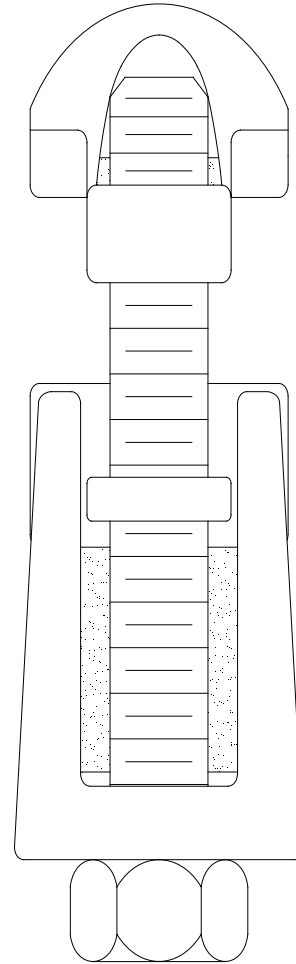
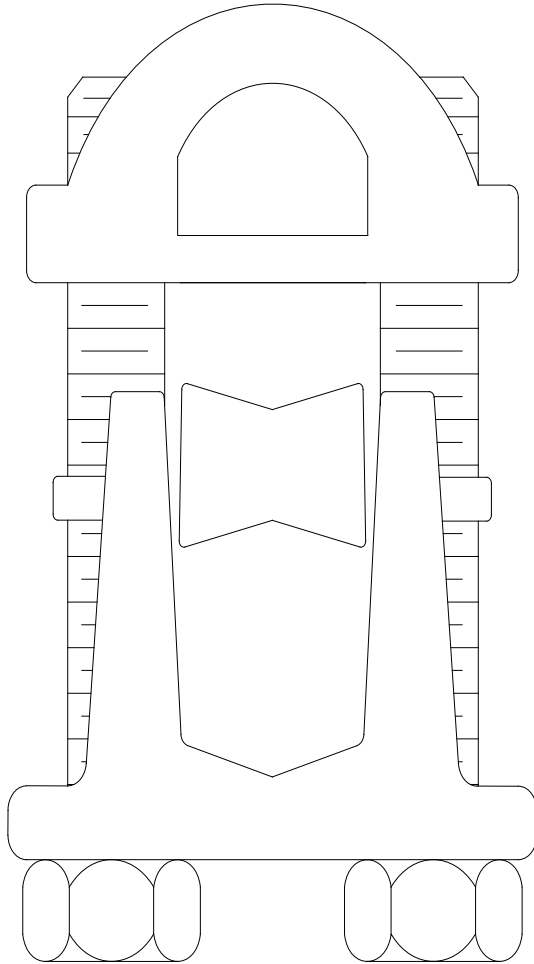
CONDUCTORS AND HARDWARE
OH AND UG CONNECTORS
SPLIT BOLT CONNECTORS



- 1245-04-10 #8
- 1245-04-11 #6
- 1245-04-12 #4
- 1245-04-13 #2
- 1245-04-15 3/0

1245-05
Sheet 1 of 2
Rev: 08/01/20

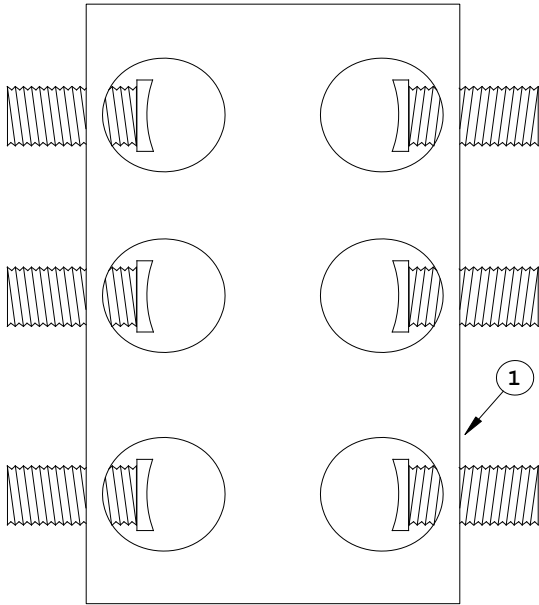
CONDUCTORS AND HARDWARE
OH AND UG CONNECTORS
CONNECTOR 2-BOLT W/SPACER SEC AND SERV



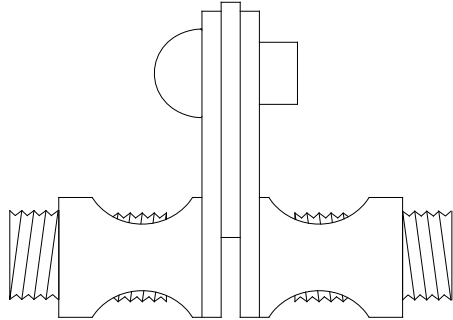
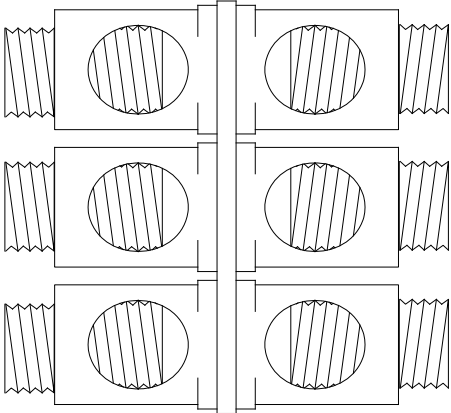
- 1245-05-01 CLAMP 2 BOLT CAD 350
- 1245-05-02 CLAMP 2 BOLT CAD 500
- 1245-05-03 CLAMP 2 BOLT CAD 750
- 1245-05-04 CLAMP 2 BOLT CAD 1000
- 1245-05-31 CLAMP 2 BOLT CU 2/0
- 1245-05-32 CLAMP 2 BOLT CU 4/0
- 1245-05-33 CLAMP 2 BOLT CU 350
- 1245-05-34 CLAMP 2 BOLT CU 500
- 1245-05-35 CLAMP 2 BOLT CU 750
- 1245-05-36 CLAMP 2 BOLT CU 1000

1245-06
Sheet 1 of 2
Rev: 08/01/20

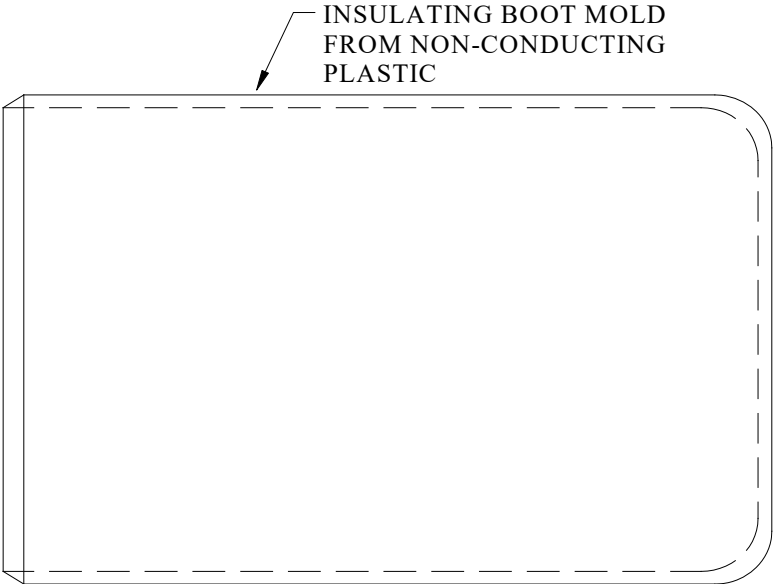
CONDUCTORS AND HARDWARE
OH AND UG CONNECTORS
CONNECTOR BOLTED 4- WAY AND 6- WAY




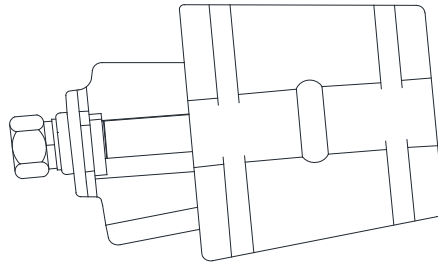
2085-45-41 6-WAY 500 W/BOOT



2085-45-81 6-WAY 250 W/BOOT

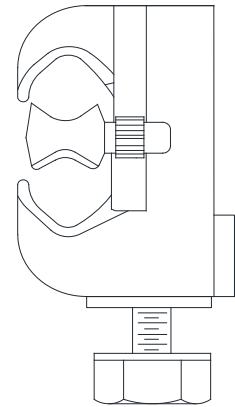
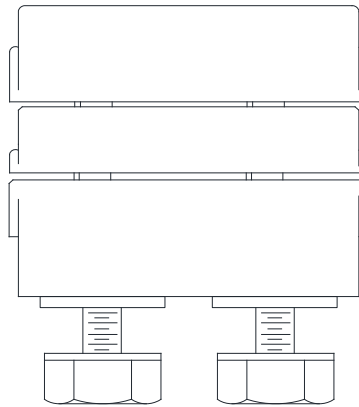
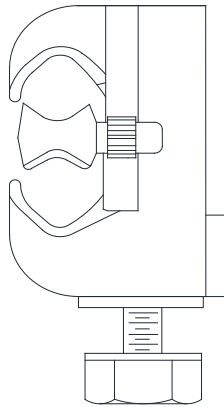
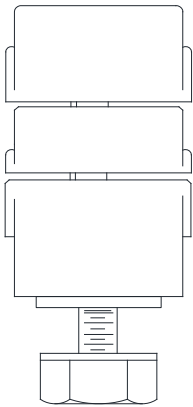


1245-07	CONDUCTORS AND HARDWARE OH AND UG CONNECTORS 2/1 BOLT CLAMPS	
Sheet 1 of 2		
Rev: 08/01/20		



NOTE: ONLY USE ON
IN-LINE DISCONNECT

1245-07-73 CLAMP 2 BOLT WEDGE 795-3/4"



1245-07-80 CLAMP 1 BOLT CU/AL #6-800
1245-07-85 CLAMP 1 BOLT CU/AL 795-336

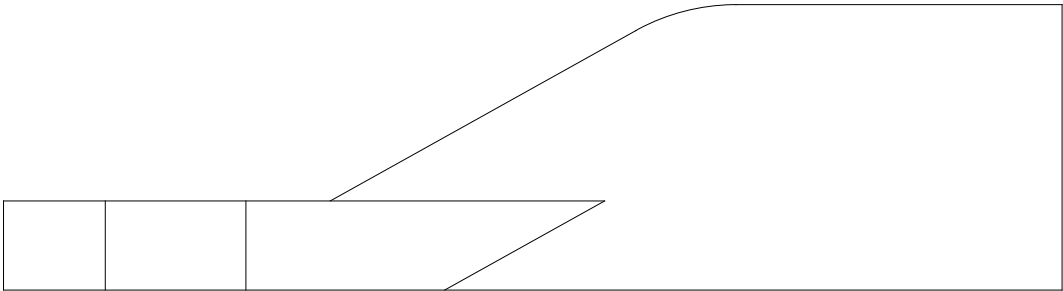
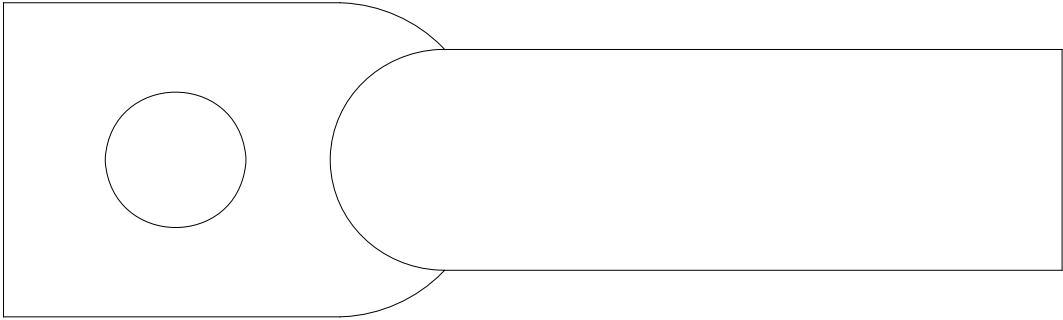
1245-07-77 CLAMP 2 BOLT 795-795
1245-07-83 CLAMP 2 BOLT CU/AL 600-4/0

NOTES:

1. ALWAYS CLEAN THE CONDUCTOR AND CONNECTOR BEFORE ATTEMPTING TO INSTALL ELECTRICAL CONNECTORS.
2. EVEN NEW CONDUCTOR HAS ENOUGH OXIDATION TO CAUSE THE CONNECTOR TO FAIL PREMATURELY.
3. ALWAYS APPLY AN APPROVED OXIDATION INHIBITOR, SUCH AS PENETROX, TO ALL ALUMINUM SURFACES.
4. ENSURE PROPER SIZE CONNECTORS ARE USED FOR THE PARTICULAR CONDUCTOR COMBINATIONS.
5. NEVER PUT ALUMINUM AND COPPER CONDUCTORS TOGETHER ON THE SAME SIDE OF THE SEPARATOR BAR.
6. COPPER WIRE ON BOTTOM WITH ALUMINUM WIRE ON TOP.

1245-08
Sheet 1 of 2
Rev: 08/01/20

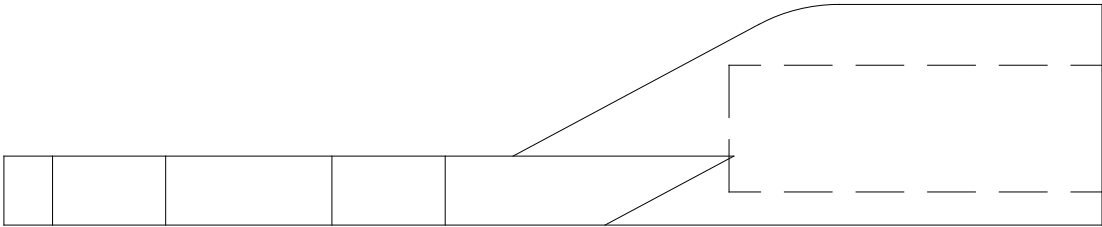
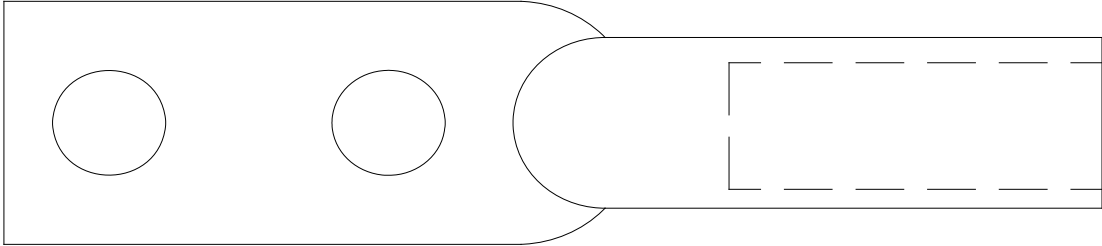
CONDUCTORS AND HARDWARE
OH AND UG CONNECTORS
ONE HOLE COMPRESSION LUG



- 1245-08-01 #2 CU-3/8" HOLE
- 1245-08-20 #4 CU/AL
- 1245-08-21 #2 CU-1/2" HOLE
- 1245-08-22 1/0 AL
- 1245-08-25 2/0 CU-1/2" HOLE
- 1245-08-27 1/0 COMP AL URD FOR 1/0 ELBOW

1245-10
Sheet 1 of 3
Rev: 08/01/20

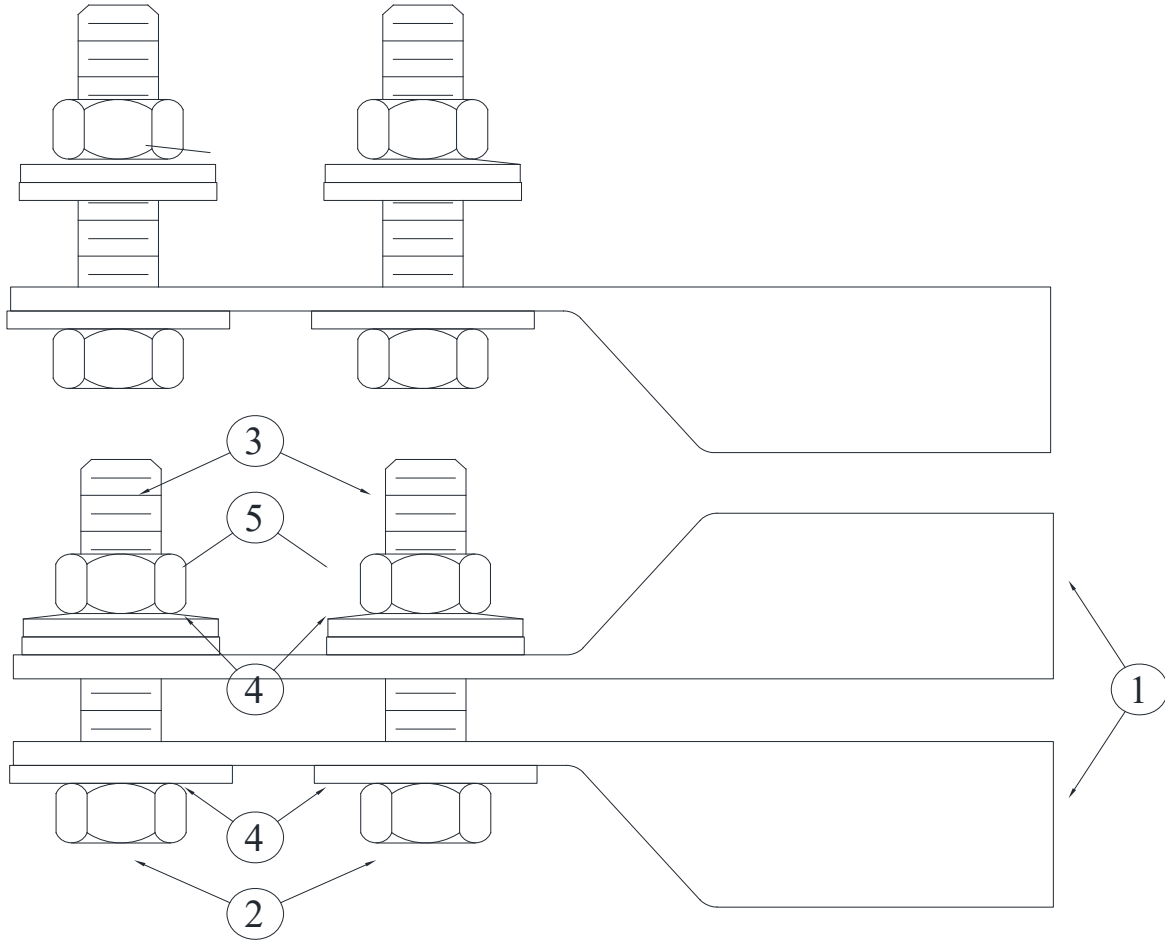
CONDUCTORS AND HARDWARE
OH AND UG CONNECTORS
TWO HOLE COMPRESSION LUGS



- 1245-10-01 CU 4/0
- 1245-10-02 CU 250
- 1245-10-03 CU 350
- 1245-10-04 CU 400
- 1245-10-05 CU 500
- 1245-10-06 CU 600
- 1245-10-07 CU 750
- 1245-10-20 #2 AL/CU
- 1245-10-21 1/0 AL/CU
- 1245-10-22 2/0 AL/CU
- 1245-10-23 3/0 AL/CU
- 1245-10-24 4/0 AL/CU
- 1245-10-25 300 AL/CU
- 1245-10-26 350 AL/CU
- 1245-10-27 500 AL/CU
- 1245-10-28 600 AL/CU
- 1245-10-29 750 AL/CU
- 1245-10-30 1000 AL/CU
- 1245-10-35 336 AL
- 1245-10-36 795 AL

1245-11
Sheet 1 of 11
Rev: 08/01/20

CONDUCTORS AND HARDWARE
OH AND UG CONNECTORS
TWO HOLE COMPRESSION LUGS W/BOLTS SGL/DBL



SINGLE AL LUGS

- 1245-11-05 #2 CU/AL SGL W/BOLTS
- 1245-11-08 1/0 CU/AL SGL W/BOLTS
- 1245-11-09 2/0 CU/AL SGL W/BOLTS
- 1245-11-10 3/0 CU/AL SGL W/BOLTS
- 1245-11-11 4/0 CU/AL SGL W/BOLTS
- 1245-11-13 300 CU/AL SGL W/BOLTS
- 1245-11-14 336 AL SGL W/BOLTS
- 1245-11-15 350 CU/AL SGL W/BOLTS
- 1245-11-17 500 CU/AL SGL W/BOLTS
- 1245-11-18 600 CU/AL SGL W/BOLTS
- 1245-11-19 750 CU/AL SGL W/BOLTS
- 1245-11-20 795 AL SGL W/BOLTS
- 1245-11-21 1000 CU/AL SGL W/BOLTS

SINGLE CU LUGS


- 1245-11-51 #2 CU SGL W/BOLTS
- 1245-11-52 1/0 CU SGL W/BOLTS
- 1245-11-53 4/0 CU SGL W/BOLTS
- 1245-11-54 250 CU SGL W/BOLTS
- 1245-11-55 350 CU SGL W/BOLTS
- 1245-11-56 400 CU SGL W/BOLTS
- 1245-11-57 500 CU SGL W/BOLTS
- 1245-11-58 600 CU SGL W/BOLTS
- 1245-11-59 750 CU SGL W/BOLTS

DOUBLE AL LUGS

- 1245-11-30 #2 CU/AL DBL W/BOLTS
- 1245-11-31 1/0 CU/AL DBL W/BOLTS
- 1245-11-32 2/0 CU/AL DBL W/BOLTS
- 1245-11-33 3/0 CU/AL DBL W/BOLTS
- 1245-11-34 4/0 CU/AL DBL W/BOLTS
- 1245-11-36 300 CU/AL DBL W/BOLTS
- 1245-11-37 336 AL DBL W/BOLTS
- 1245-11-38 350 CU/AL DBL W/BOLTS
- 1245-11-40 500 CU/AL DBL W/BOLTS
- 1245-11-41 600 CU/AL DBL W/BOLTS
- 1245-11-42 750 CU/AL DBL W/BOLTS
- 1245-11-43 795 AL DBL W/BOLTS
- 1245-11-44 1000 CU/AL DBL W/BOLTS

DOUBLE CU LUGS


- 1245-11-70 #2 CU DBL W/BOLTS
- 1245-11-71 1/0 CU DBL W/BOLTS
- 1245-11-72 4/0 CU DBL W/BOLTS
- 1245-11-73 250 CU DBL W/BOLTS
- 1245-11-74 350 CU DBL W/BOLTS
- 1245-11-75 400 CU DBL W/BOLTS
- 1245-11-76 500 CU DBL W/BOLTS
- 1245-11-77 600 CU DBL W/BOLTS
- 1245-11-78 750 CU DBL W/BOLTS

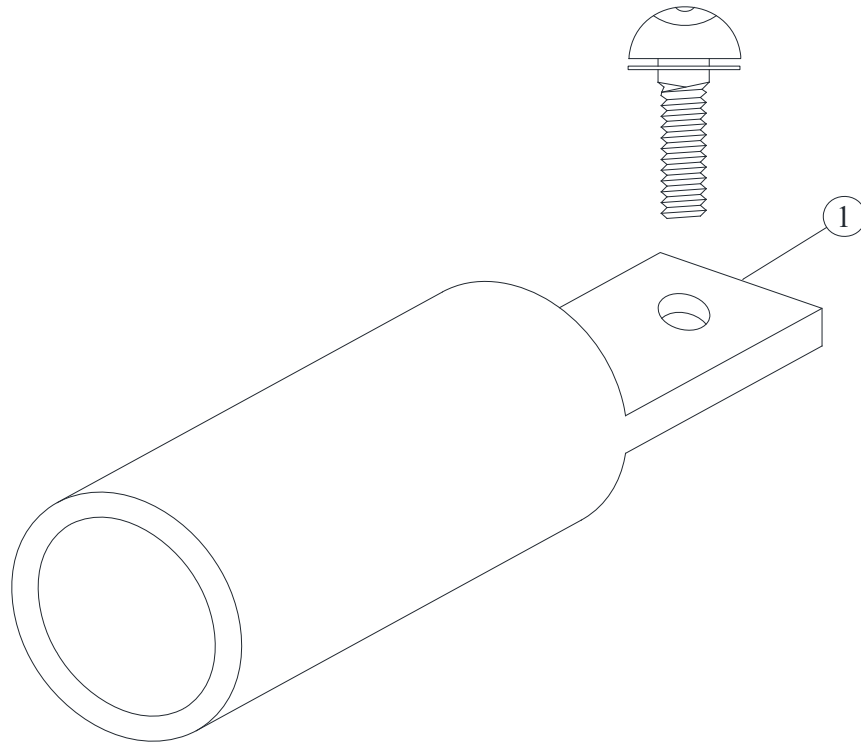
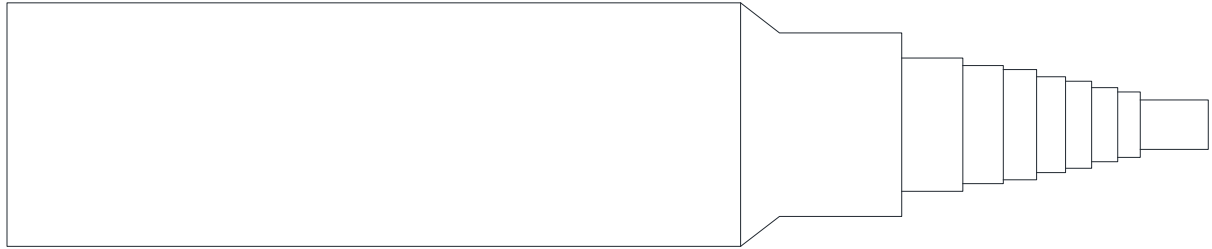
1245- 11	CONDUCTORS AND HARDWARE OH AND UG CONNECTORS TWO HOLE COMPRESSION LUGS W/BOLTS SGL/DBL	
Sheet 7 of 11		
Rev: 08/01/20		

CU- ID	CU- REF	CU- DESCRIPTION
---------------	----------------	------------------------

LUGDBLCUAL1KB	12451144	LUG DBL CU/AL 1000 W/BOLTS
---------------	----------	----------------------------

ID	PART NUM	PART DESC	QTY	EA	CU- REF
5	0000000518	WASHER BELLVILLE SPRG 6000 LBS LOAD SSTL 1/2 IN	2	EA	12451144
4	0000000519	WASHER FLAT 1/2IN SSTL 1.14 OD X .515 ID X .125 THICK	4	EA	12451144
2	0000000601	BOLT HEX HEAD 18-8 SSTL 1/2 IN X 2- 1/2 IN	2	EA	12451144
1	0000001370	LUG COMP NEMA TWO-HOLE TO 1000 MCM AL/CU	2	EA	12451144
3	0000008457	NUT HEX ZINC CT 1/2	2	EA	12451144

1245-20	CONDUCTORS AND HARDWARE OH AND UG CONNECTORS MOLE TAP CU/AL SEC 600V	
Sheet 1 of 2		
Rev: 08/01/20		



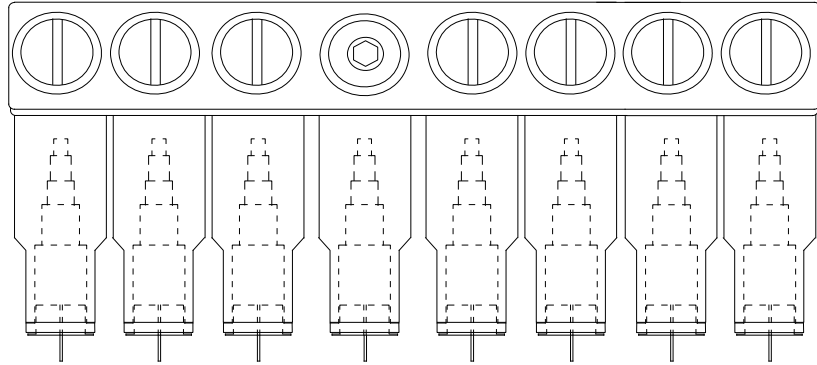
NOTES:

1. INSTALL PRELUBRICATED FORCE-FIT SLEEVES OVER EACH CONDUCTOR.
2. PRIOR TO INSTALLING ALUMINUM CONDUCTOR CONNECTORS, CLEAN THE CONDUCTOR WITH A WIRE BRUSH TO REMOVE OXIDES.
3. IMMEDIATELY APPLY A NON-GRIT INHIBITOR TO THE CONTACT SURFACE OF THE CONNECTOR.
4. CONNECTORS GENERALLY COME WITH INHIBITOR APPLIED AT THE FACTORY.
5. INSTALL COMPRESSION CONNECTOR ACCORDING TO MANUFACTURER'S INSTRUCTIONS. AFTER CRIMPING THE CONNECTOR, REMOVE ANY EXCESS JOINT COMPOUND AND SHARP EDGES.
6. BOLT THE CRIMPED CONNECTION TO THE MOLE OUTLET, AND SLIP THE SLEEVE OVER THE OUTLET COMPLETELY COVERING THE INSULATION.

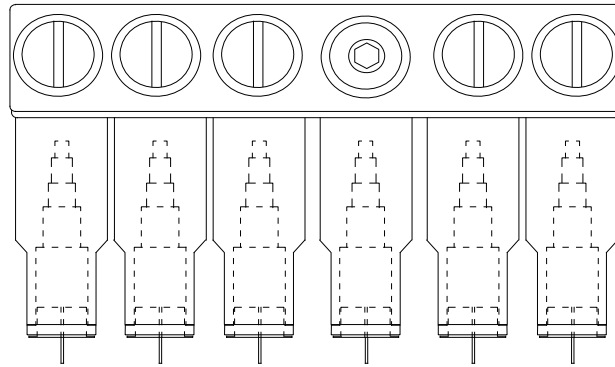
1245-20-01 #2 CU/AL
1245-20-02 1/0 CU/AL
1245-20-03 2/0 CU/AL
1245-20-04 3/0 CU/AL
1245-20-06 350 CU/AL

1245-21
Sheet 1 of 2
Rev: 08/01/20

CONDUCTORS AND HARDWARE
OH AND UG CONNECTORS
CONNECTOR URD SEC 4, 6 AND 8 POSITION



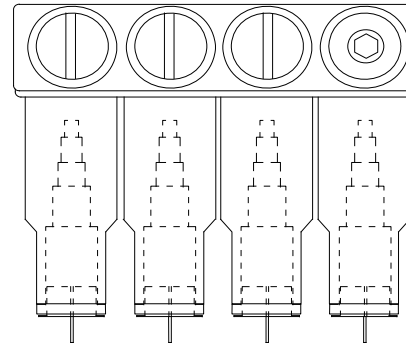
8 WAY CONNECTOR



6 WAY CONNECTOR

NOTES:

1. EACH TAP POSITION IS PROVIDED WITH SEALED WATERTIGHT CAPS.
2. KEEP THESE CAPS ON ALL UNUSED TAP POSITIONS. SEAL TAP POSITIONS WITH CABLES WITH THE FORCE-FIT SLEEVES PROVIDED WITH THE MOLE TAP KITS.
3. PRIOR TO INSTALLING ALUMINUM CONDUCTOR CONNECTORS, CLEAN THE CONDUCTOR WITH A WIRE BRUSH TO REMOVE OXIDES.
4. IMMEDIATELY APPLY A NON-GRIT INHIBITOR TO THE CONTACT SURFACE OF THE CONNECTOR. CONNECTORS GENERALLY COME WITH INHIBITOR APPLIED AT THE FACTORY.

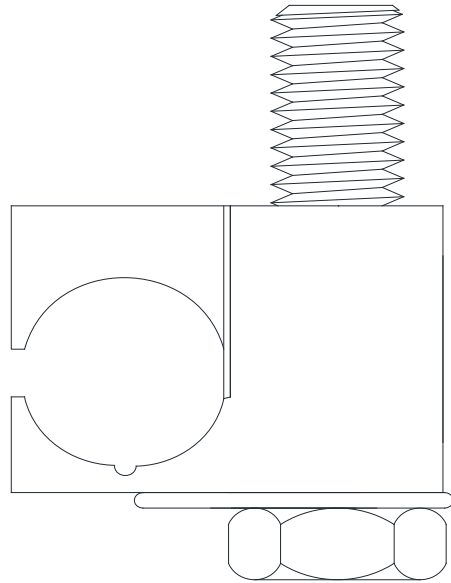


4 WAY CONNECTOR

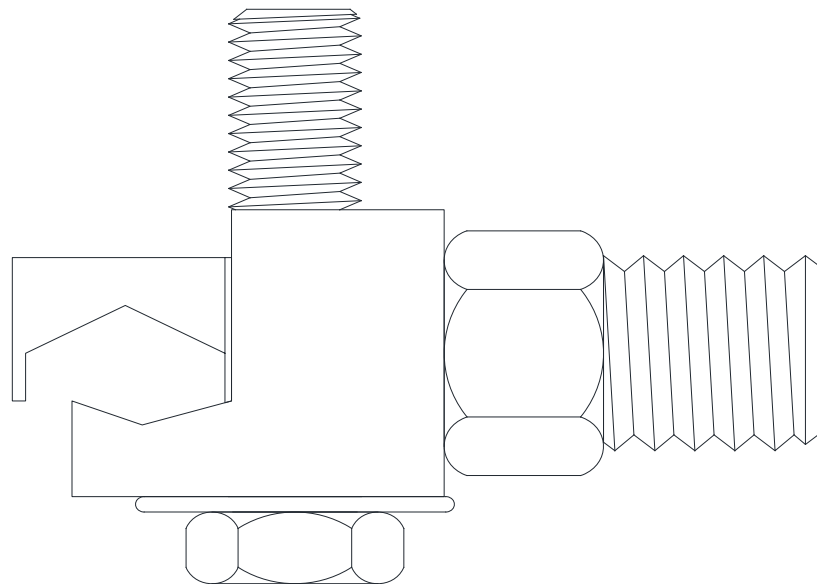
- 1245-21-10 350 MCM TO #12 6-WAY 600V INSULATED
- 1245-21-20 350 MCM TO #12 4-WAY 600V INSULATED
- 1245-21-30 750 MCM TO #2 8-WAY 600V INSULATED
- 1245-21-35 750 MCM TO #2 4-WAY 600V INSULATED

1245-25
Sheet 1 of 2
Rev: 08/01/20

CONDUCTORS AND HARDWARE
OH AND UG CONNECTORS
GROUND CLAMPS & ARRESTOR CONNECTOR



1245-25-01
 GROUND ROD CLAMP



1245-25-20
 TRANSFORMER TANK GROUND CLAMP

