


| | | |
|---------------|--|--|
| 1120 | POLES, HARDWARE, AND FRAMING HARDWARE |  |
| Sheet 1 of 1 | | |
| Rev: 07/01/20 | | |

1120

HARDWARE

CONTAINS

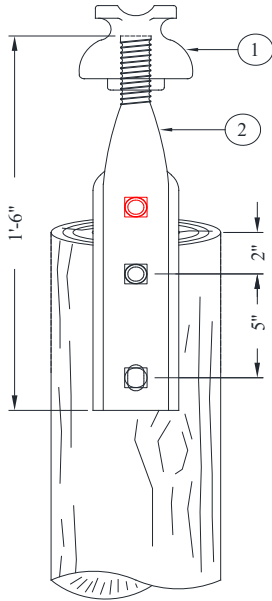
- 1120-06 POLE TOP PINS - TANGENT/ANGLE**
- 1120-07 POLE TOP PINS - FIBERGLASS**
- 1120-08 INSULATOR PIN SHORT/LONG 15KV & 48KV**
- 1120-09 INSULATOR STANDOFF PIN**
- 1120-10 RACKS - NEUTRAL/XFMR/SER/SEC**
- 1120-11 FIBERGLASS ARM - PRIMARY**
- 1120-12 XARM BRACE WOOD 26IN SPREAD SGL/DBL**
- 1120-13 XARM BRACE WOOD 60IN SPREAD SGL/DBL**
- 1120-14 BRACE ALLEY ARM - 5'/7'**
- 1120-15A XARMS LD WOOD 8'/10'**
- 1120-15B XARMS LD FIBERGLASS 8'/10'/12'**
- 1120-16A HEAVY DUTY FIBERGLASS DE ARMS**
- 1120-16B HEAVY DUTY STEEL DE ARMS**
- 1120-17 INSULATOR DEADEND - SINGLE**
- 1120-18 INSULATOR DEADEND - DOUBLE**

| |
|----------------|
| 1120-06 |
| Sheet 1 of 2 |
| Rev: 07/01/20 |

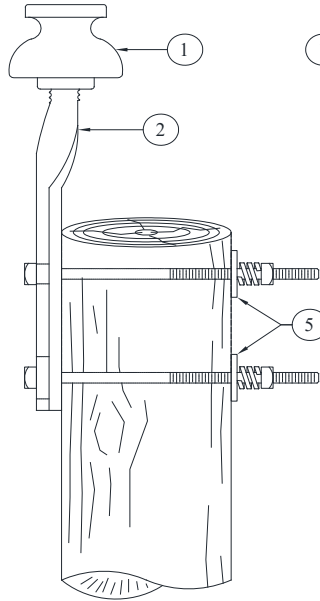
POLES, HARDWARE, AND FRAMING
HARDWARE
POLE TOP PINS - TANGENT/ANGLE



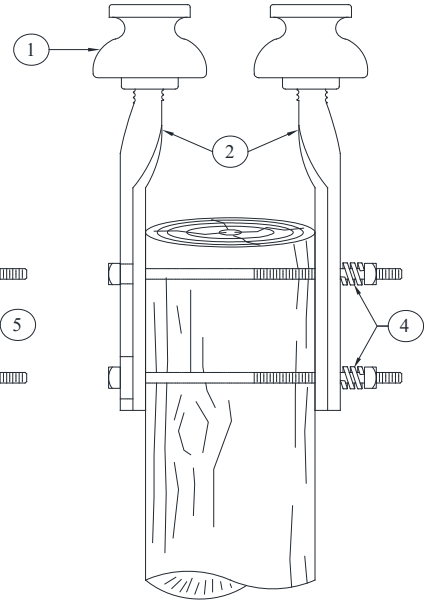
NOTE: TOP HOLE IS NOT USED



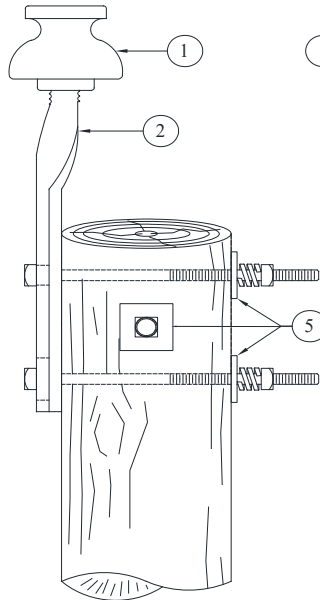
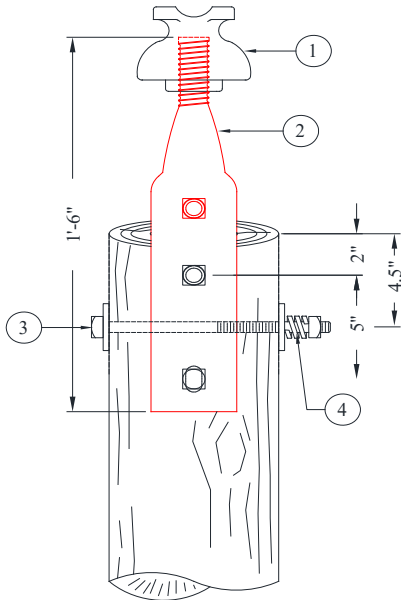
BACK VIEW



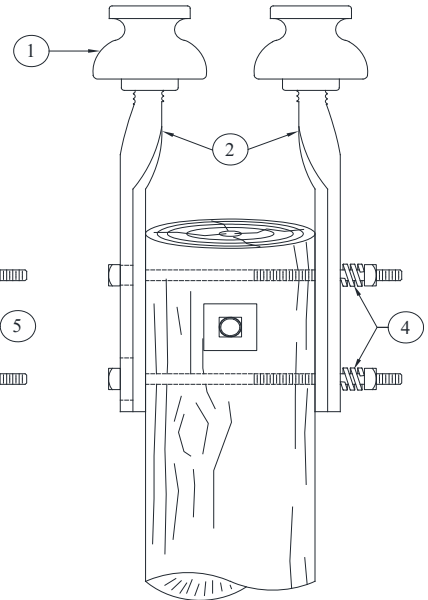
1120-06-01 SINGLE SIDE VIEW
 1120-06-02 DOUBLE




1120-06-10 12 IN
 1120-06-12 14 IN



1120-06-03 SINGLE
 1120-06-04 DOUBLE



| | | |
|---------------|--|--|
| 1120-06 | POLES, HARDWARE, AND FRAMING HARDWARE POLE TOP PINS - TANGENT/ANGLE |  |
| Sheet 2 of 2 | | |
| Rev: 07/01/20 | | |

CU

| | | |
|--------------|---------------|-----------------------|
| CU-ID | CU-REF | CU-DESCRIPTION |
|--------------|---------------|-----------------------|

| | | |
|-----------------|----------|--------------------------------------|
| INSWTPINSGL-TAN | 11200601 | INSULATOR W/POLE TOP PIN SGL-TANGENT |
|-----------------|----------|--------------------------------------|

| ID | PART NUM | PART DESC | QTY | EA | CU-REF |
|----|------------|--|-----|----|--------|
| 1 | 0000001236 | WASHER COIL SPRING ZINC FOR 5/8 IN BOLT | 2 | EA | |
| 2 | 0000001282 | PIN POLE TOP 18 IN GALV 1 IN THREAD W/MTG FOR 3-HOLE | 1 | EA | |
| 3 | 0000006553 | INSULATOR PIN TY 795 MCM RADIO NOISE FREE 12.5 KV | 1 | EA | |
| 4 | 0000008419 | BOLT MACH SQ HEAD HOT DIP GALV G5 5/8 X 12 | 2 | EA | |
| 5 | 0000008499 | WASHER SQ HOT DIP GALV 2-1/4 IN X 2-1/4 IN X 3/16 IN | 2 | EA | |

| | | |
|-----------------|----------|--------------------------------------|
| INSWTPINDBL-TAN | 11200602 | INSULATOR W/POLE TOP PIN DBL-TANGENT |
|-----------------|----------|--------------------------------------|

| ID | PART NUM | PART DESC | QTY | EA | CU-REF |
|----|------------|--|-----|----|----------|
| 1 | 0000001236 | WASHER COIL SPRING ZINC FOR 5/8 IN BOLT | 2 | EA | 11200602 |
| 2 | 0000001282 | PIN POLE TOP 18 IN GALV 1 IN THREAD W/MTG FOR 3-HOLE | 2 | EA | 11200602 |
| 3 | 0000006553 | INSULATOR PIN TY 795 MCM RADIO NOISE FREE 12.5 KV | 2 | EA | 11200602 |
| 4 | 0000008419 | BOLT MACH SQ HEAD HOT DIP GALV G5 5/8 X 12 | 2 | EA | 11200602 |

| | | |
|-----------------|----------|------------------------------------|
| INSWTPINSGL-ANG | 11200603 | INSULATOR W/POLE TOP PIN SGL-ANGLE |
|-----------------|----------|------------------------------------|

| ID | PART NUM | PART DESC | QTY | EA | CU-REF |
|----|------------|--|-----|----|----------|
| 1 | 0000001236 | WASHER COIL SPRING ZINC FOR 5/8 IN BOLT | 3 | EA | 11200603 |
| 2 | 0000001282 | PIN POLE TOP 18 IN GALV 1 IN THREAD W/MTG FOR 3-HOLE | 1 | EA | 11200603 |
| 3 | 0000006553 | INSULATOR PIN TY 795 MCM RADIO NOISE FREE 12.5 KV | 1 | EA | 11200603 |
| 4 | 0000008419 | BOLT MACH SQ HEAD HOT DIP GALV G5 5/8 X 12 | 3 | EA | 11200603 |
| 5 | 0000008499 | WASHER SQ HOT DIP GALV 2-1/4 IN X 2-1/4 IN X 3/16 IN | 4 | EA | 11200603 |

| | | |
|-----------------|----------|------------------------------------|
| INSWTPINDBL-ANG | 11200604 | INSULATOR W/POLE TOP PIN DBL-ANGLE |
|-----------------|----------|------------------------------------|

| ID | PART NUM | PART DESC | QTY | EA | CU-REF |
|----|------------|--|-----|----|----------|
| 1 | 0000001236 | WASHER COIL SPRING ZINC FOR 5/8 IN BOLT | 3 | EA | 11200604 |
| 2 | 0000001282 | PIN POLE TOP 18 IN GALV 1 IN THREAD W/MTG FOR 3-HOLE | 2 | EA | 11200604 |
| 3 | 0000006553 | INSULATOR PIN TY 795 MCM RADIO NOISE FREE 12.5 KV | 2 | EA | 11200604 |
| 4 | 0000008419 | BOLT MACH SQ HEAD HOT DIP GALV G5 5/8 X 12 | 3 | EA | 11200604 |
| 5 | 0000008499 | WASHER SQ HOT DIP GALV 2-1/4 IN X 2-1/4 IN X 3/16 IN | 2 | EA | 11200604 |

| | | |
|-------------------------|----------|-----------------------------------|
| SPLTBLT5/8INW/SQWASHERS | 11200610 | SPLIT BOLT 5/8 IN WITH SQ WASHERS |
|-------------------------|----------|-----------------------------------|

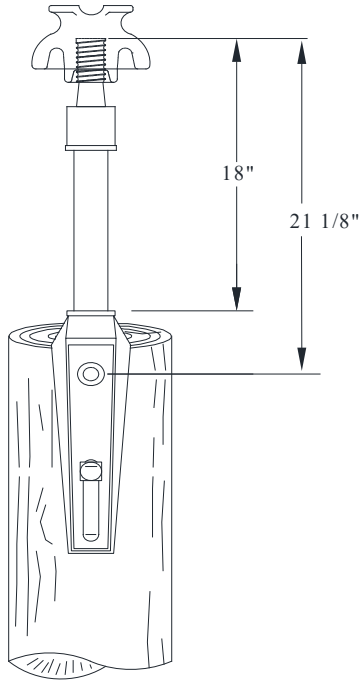
| ID | PART NUM | PART DESC | QTY | EA | CU-REF |
|----|------------|--|-----|----|----------|
| 2 | 0000001236 | WASHER COIL SPRING ZINC FOR 5/8 IN BOLT | 1 | EA | 11200610 |
| 1 | 0000008420 | BOLT MACH SQ HEAD HOT DIP GALV G5 5/8 X 14 | 1 | EA | 11200610 |
| 3 | 0000008499 | WASHER SQ HOT DIP GALV 2-1/4 IN X 2-1/4 IN X 3/16 IN | 2 | EA | 11200610 |

| | | |
|-----------------------|----------|-----------------------------------|
| SPLTBLT3/4W/SQWASHERS | 11200612 | SPLIT BOLT 3/4 IN WITH SQ WASHERS |
|-----------------------|----------|-----------------------------------|

| ID | PART NUM | PART DESC | QTY | EA | CU-REF |
|----|------------|--|-----|----|----------|
| 2 | 0000001235 | WASHER COIL SPRING ZINC FOR 3/4 IN BOLT | 1 | EA | 11200612 |
| 1 | 0000008430 | BOLT MACH SQ HEAD HOT DIP GALV G5 3/4 X 14 | 1 | EA | 11200612 |
| 3 | 0000008499 | WASHER SQ HOT DIP GALV 2-1/4 IN X 2-1/4 IN X 3/16 IN | 2 | EA | 11200612 |

| |
|----------------|
| 1120-07 |
| Sheet 1 of 2 |
| Rev: 07/01/20 |

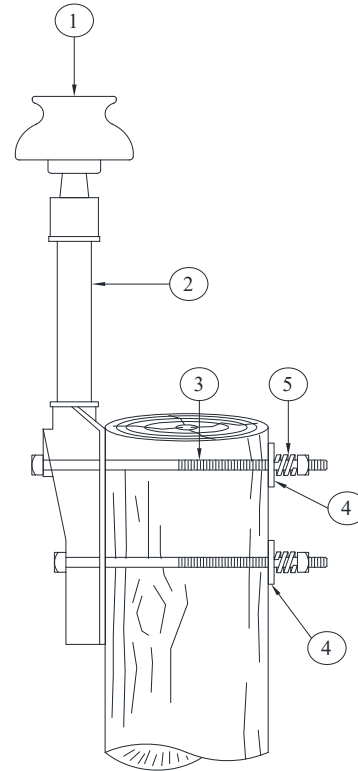
POLES, HARDWARE, AND FRAMING
HARDWARE
POLE TOP PINS - FIBERGLASS



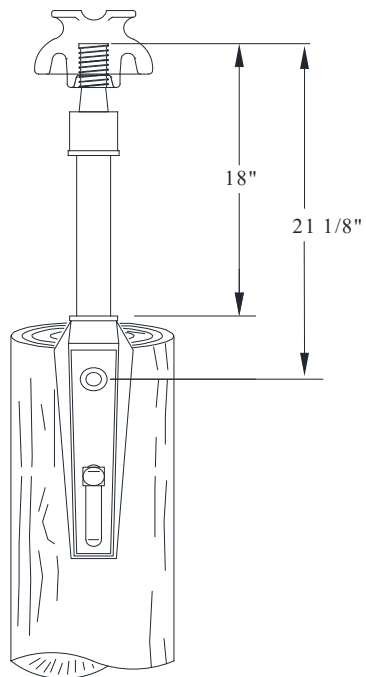
FRONT VIEW

MOUNTING HOLES TO ACCOMMODATE BOTH 6" AND 8" CENTERS

SINGLE
 1120-07-01



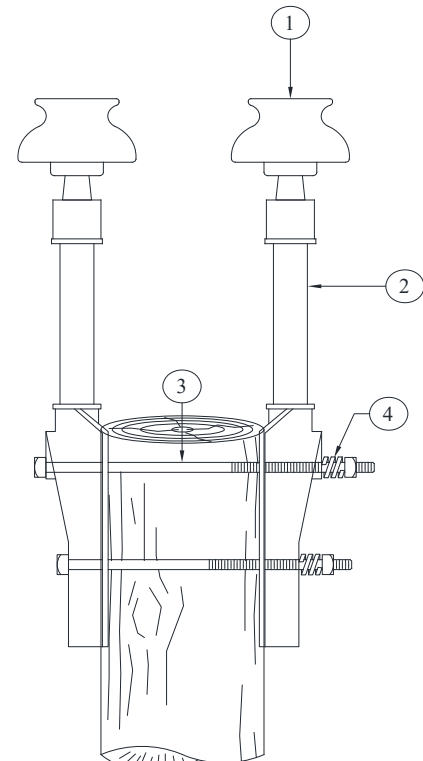
SIDE VIEW




FRONT VIEW

MOUNTING HOLES TO ACCOMMODATE BOTH 6" AND 8" CENTERS

DOUBLE
 1120-07-01



SIDE VIEW

| | | |
|----------------|--|--|
| 1120-07 | POLES, HARDWARE, AND FRAMING HARDWARE POLE TOP PINS - TANGENT/ANGLE |  |
| Sheet 2 of 2 | | |
| Rev: 07/01/20 | | |

CU

| | | |
|----------------|---------------|--|
| CU-ID | CU-REF | CU-DESCRIPTION |
| INSWFGPTPINSGL | 11200701 | INSULATOR W/ FIBERGLASS POLE TOP PIN-SGL |

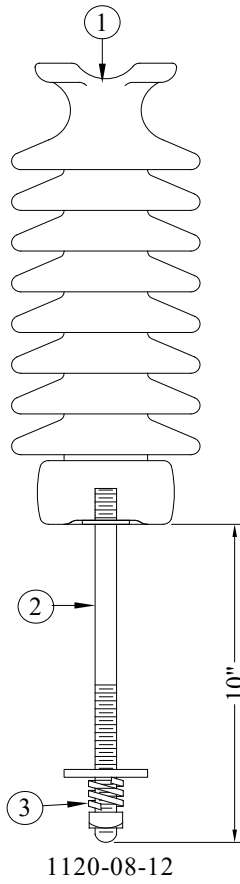
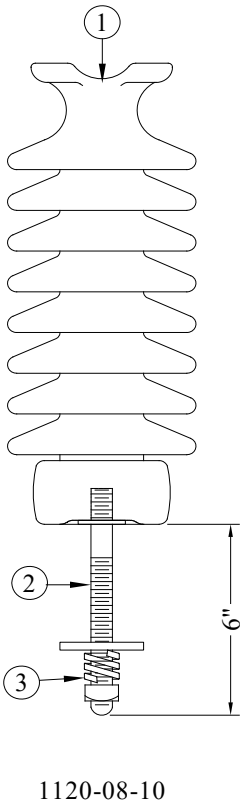
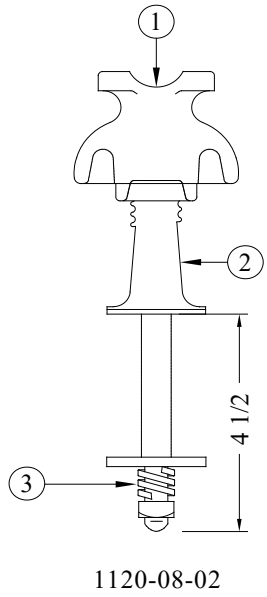
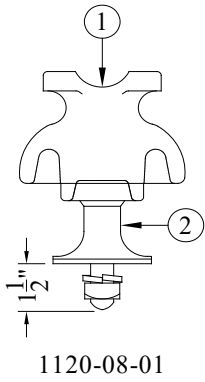
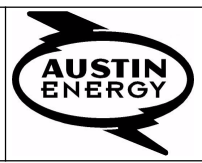
| ID | PART NUM | PART DESC | QTY | | CU-REF |
|-----------|-----------------|---|------------|----|---------------|
| 1 | 0000001236 | WASHER COIL SPRING ZINC FOR 5/8 IN BOLT | 2 | EA | 11200701 |
| 2 | 0000001280 | PIN POLE TOP 18IN FIBERGLASS 1IN NYLON THRD 1-1/2IN DIA | 1 | EA | 11200701 |
| 3 | 0000006553 | INSULATOR PIN TY 795 MCM RADIO NOISE FREE 12.5 KV | 1 | EA | 11200701 |
| 4 | 0000008420 | BOLT MACH SQ HEAD HOT DIP GALV G5 5/8 X 14 | 2 | EA | 11200701 |
| 5 | 0000008499 | WASHER SQ HOT DIP GALV 2-1/4 IN X 2-1/4 IN X 3/16 IN | 2 | EA | 11200701 |

| | | |
|----------------|----------|--|
| INSWFGPTPINDBL | 11200702 | INSULATOR W/ FIBERGLASS POLE TOP PIN-DBL |
|----------------|----------|--|

| ID | PART NUM | PART DESC | QTY | | CU-REF |
|-----------|-----------------|---|------------|----|---------------|
| 1 | 0000001236 | WASHER COIL SPRING ZINC FOR 5/8 IN BOLT | 2 | EA | 11200702 |
| 2 | 0000001280 | PIN POLE TOP 18IN FIBERGLASS 1IN NYLON THRD 1-1/2IN DIA | 2 | EA | 11200702 |
| 3 | 0000006553 | INSULATOR PIN TY 795 MCM RADIO NOISE FREE 12.5 KV | 2 | EA | 11200702 |
| 4 | 0000008420 | BOLT MACH SQ HEAD HOT DIP GALV G5 5/8 X 14 | 2 | EA | 11200702 |
| 5 | 0000008499 | WASHER SQ HOT DIP GALV 2-1/4 IN X 2-1/4 IN X 3/16 IN | 2 | EA | 11200702 |

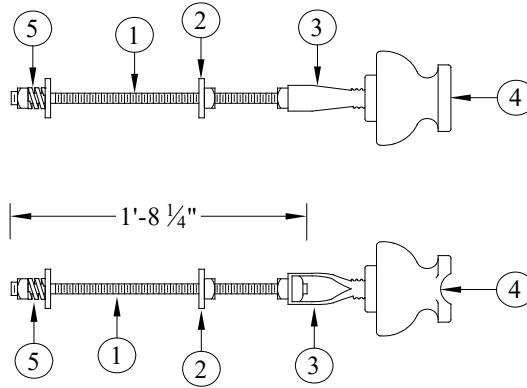
| |
|----------------|
| 1120-08 |
| Sheet 1 of 2 |
| Rev: 07/01/20 |

POLES, HARDWARE, AND FRAMING
HARDWARE
INSULATOR PIN-SHORT/LONG SHANK - 15KV AND 48KV

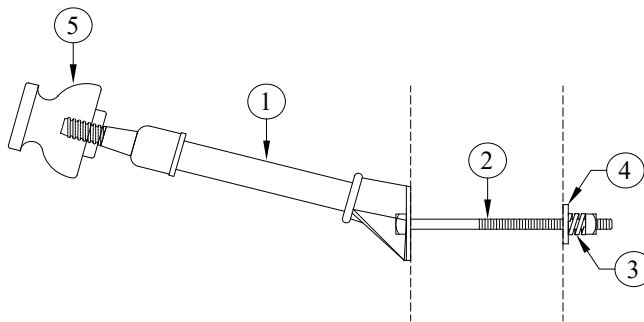


| |
|----------------|
| 1120-09 |
| Sheet 1 of 2 |
| Rev: 07/01/20 |

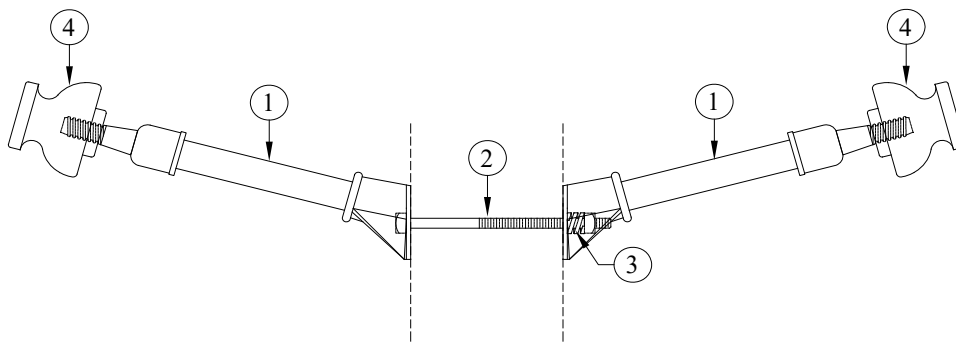
POLES, HARDWARE, AND FRAMING
HARDWARE
INSULATOR STANDOFF PIN




ADAPTOR PIN
1120-09-01



SINGLE
1120-09-02



DOUBLE
1120-09-03

| | | |
|----------------|---|--|
| 1120-09 | POLES, HARDWARE, AND FRAMING HARDWARE INSULATOR STANDOFF PIN |  |
| Sheet 2 of 2 | | |
| Rev: 07/01/20 | | |

CU

| | | |
|--------------|---------------|-----------------------|
| CU-ID | CU-REF | CU-DESCRIPTION |
|--------------|---------------|-----------------------|

| | | |
|----------------|----------|-------------------------|
| INSWADAPTORPIN | 11200901 | INSULATOR W/ADAPTOR PIN |
|----------------|----------|-------------------------|

| ID | PART NUM | PART DESC | QTY | EA | CU-REF |
|----|------------|--|-----|----|----------|
| 2 | 0000001236 | WASHER COIL SPRING ZINC FOR 5/8 IN BOLT | 1 | EA | 11200901 |
| 3 | 0000006536 | PIN ADAPTER FOR 5/8 INCH INSULATOR BOLT | 1 | EA | 11200901 |
| 4 | 0000006553 | INSULATOR PIN TY 795 MCM RADIO NOISE FREE 12.5 KV | 1 | EA | 11200901 |
| 5 | 0000008499 | WASHER SQ HOT DIP GALV 2- 1/4 IN X 2- 1/4 IN X 3/16 IN | 2 | EA | 11200901 |
| 1 | 0000008686 | BOLT DBL ARMING HOT DIP GALV ALL THREAD 5/8 X 14 | 1 | EA | 11200901 |

| | | |
|--------------|----------|-------------------------------------|
| INSWFGSTFSGL | 11200902 | INSULATOR W/FIBERGLASS STANDOFF-SGL |
|--------------|----------|-------------------------------------|

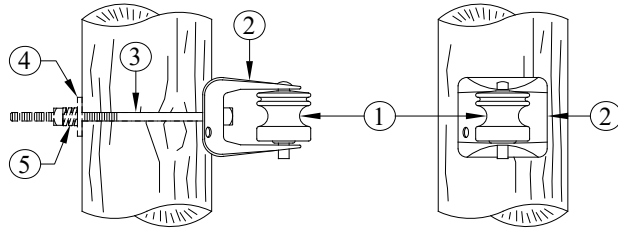
| ID | PART NUM | PART DESC | QTY | EA | CU-REF |
|----|------------|---|-----|----|----------|
| 1 | 0000001203 | BRACKET STNDOFF 10- 1/4IN W/1IN NYLON THRDS CTR PH JMPR | 1 | EA | 11200902 |
| 3 | 0000001236 | WASHER COIL SPRING ZINC FOR 5/8 IN BOLT | 1 | EA | 11200902 |
| 4 | 0000006553 | INSULATOR PIN TY 795 MCM RADIO NOISE FREE 12.5 KV | 1 | EA | 11200902 |
| 2 | 0000008420 | BOLT MACH SQ HEAD HOT DIP GALV G5 5/8 X 14 | 1 | EA | 11200902 |
| 5 | 0000008499 | WASHER SQ HOT DIP GALV 2- 1/4 IN X 2- 1/4 IN X 3/16 IN | 1 | EA | 11200902 |

| | | |
|--------------|----------|-------------------------------------|
| INSWFGSTFDBL | 11200903 | INSULATOR W/FIBERGLASS STANDOFF-DBL |
|--------------|----------|-------------------------------------|

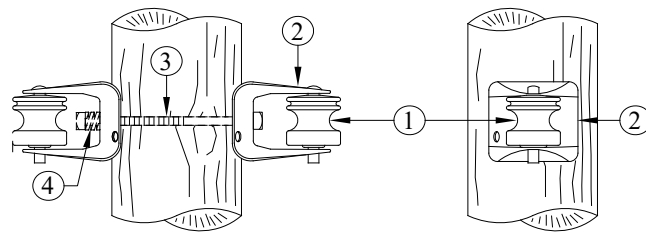
| ID | PART NUM | PART DESC | QTY | EA | CU-REF |
|----|------------|---|-----|----|----------|
| 1 | 0000001203 | BRACKET STNDOFF 10- 1/4IN W/1IN NYLON THRDS CTR PH JMPR | 2 | EA | 11200903 |
| 3 | 0000001236 | WASHER COIL SPRING ZINC FOR 5/8 IN BOLT | 1 | EA | 11200903 |
| 4 | 0000006553 | INSULATOR PIN TY 795 MCM RADIO NOISE FREE 12.5 KV | 2 | EA | 11200903 |
| 2 | 0000008420 | BOLT MACH SQ HEAD HOT DIP GALV G5 5/8 X 14 | 1 | EA | 11200903 |

| |
|----------------|
| 1120-10 |
| Sheet 1 of 3 |
| Rev: 07/01/20 |

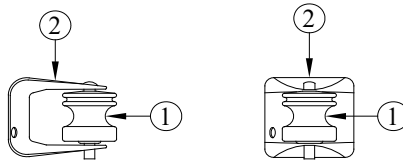
POLES, HARDWARE, AND FRAMING
HARDWARE
RACKS - NEUTRAL/XFMR/SER/SEC



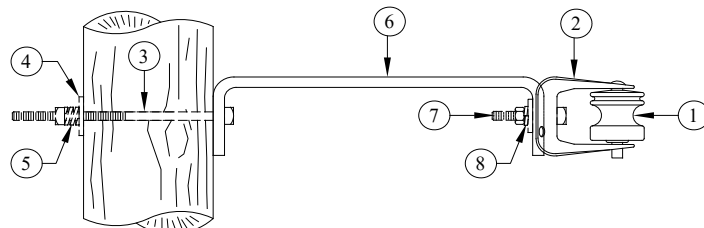
SINGLE RACK & SPOOL
1120-10-01
1120-10-02
1120-10-03



DOUBLE RACK & SPOOL
1120-10-07
1120-10-08
1120-10-09



RACK & SPOOL
1120-10-15



STAND-OFF BRACKET
1120-10-20

NOTE: CALL FOR EXTRA PIN FOR 1 POINT RACK AS NEEDED

| |
|----------------|
| 1120-10 |
| Sheet 2 of 3 |
| Rev: 07/01/20 |

**POLES, HARDWARE, AND FRAMING
HARDWARE
RACKS - NEUTRAL/XFMR/SER/SEC**



CU

CU-ID CU-REF CU-DESCRIPTION

BRKTRK1P10INSGL 11201001 BRKT RACK 1 POINT 10 IN-SGL

| ID | PART NUM | PART DESC | QTY | | CU-REF |
|-----------|-----------------|--|------------|----|---------------|
| 1 | 0000017301 | INSULATOR SPOOL 3 INCH POLYMER | 1 | EA | 11201001 |
| 2 | 0000006632 | RACK PULLEY TY 1 POINT | 1 | EA | 11201001 |
| 3 | 0000008418 | BOLT MACH SQ HEAD HOT DIP GALV G5 5/8 X 10 | 1 | EA | 11201001 |
| 4 | 0000008499 | WASHER SQ HOT DIP GALV 2-1/4 IN X 2-1/4 IN X 3/16 IN | 1 | EA | 11201001 |
| 5 | 0000001236 | WASHER COIL SPRING ZINC FOR 5/8 IN BOLT | 1 | EA | 11201001 |
| 6 | 0000006606 | PIN FOR 1 POINT RACK AND SPOOL (PIN COMES WITH SPOOL). | 1 | EA | 11201001 |

BRKTRK1P12INSGL 11201002 BRKT RACK 1 POINT 12 IN-SGL

| ID | PART NUM | PART DESC | QTY | | CU-REF |
|-----------|-----------------|--|------------|----|---------------|
| 1 | 0000017301 | INSULATOR SPOOL 3 INCH POLYMER | 1 | EA | 11201002 |
| 2 | 0000006632 | RACK PULLEY TY 1 POINT | 1 | EA | 11201002 |
| 3 | 0000008419 | BOLT MACH SQ HEAD HOT DIP GALV G5 5/8 X 12 | 1 | EA | 11201002 |
| 4 | 0000008499 | WASHER SQ HOT DIP GALV 2-1/4 IN X 2-1/4 IN X 3/16 IN | 1 | EA | 11201002 |
| 5 | 0000001236 | WASHER COIL SPRING ZINC FOR 5/8 IN BOLT | 1 | EA | 11201002 |

BRKTRK1P14INSGL 11201003 BRKT RACK 1 POINT 14 IN-SGL


| ID | PART NUM | PART DESC | QTY | | CU-REF |
|-----------|-----------------|--|------------|----|---------------|
| 1 | 0000017301 | INSULATOR SPOOL 3 INCH POLYMER | 1 | EA | 11201003 |
| 2 | 0000006632 | RACK PULLEY TY 1 POINT | 1 | EA | 11201003 |
| 3 | 0000008420 | BOLT MACH SQ HEAD HOT DIP GALV G5 5/8 X 14 | 1 | EA | 11201003 |
| 4 | 0000008499 | WASHER SQ HOT DIP GALV 2-1/4 IN X 2-1/4 IN X 3/16 IN | 1 | EA | 11201003 |
| 5 | 0000001236 | WASHER COIL SPRING ZINC FOR 5/8 IN BOLT | 1 | EA | 11201003 |

BRKTRK1P10INDBL 11201007 BRKT RACK 1 POINT 10 IN-DBL

| ID | PART NUM | PART DESC | QTY | | CU-REF |
|-----------|-----------------|--|------------|----|---------------|
| 1 | 0000017301 | INSULATOR SPOOL 3 INCH POLYMER | 2 | EA | 11201007 |
| 2 | 0000006632 | RACK PULLEY TY 1 POINT | 2 | EA | 11201007 |
| 3 | 0000008418 | BOLT MACH SQ HEAD HOT DIP GALV G5 5/8 X 10 | 1 | EA | 11201007 |
| 4 | 0000001236 | WASHER COIL SPRING ZINC FOR 5/8 IN BOLT | 1 | EA | 11201007 |

BRKTRK1P12INDBL 11201008 BRKT RACK 1 POINT 12 IN-DBL

| ID | PART NUM | PART DESC | QTY | | CU-REF |
|-----------|-----------------|--|------------|----|---------------|
| 1 | 0000017301 | INSULATOR SPOOL 3 INCH POLYMER | 2 | EA | 11201008 |
| 2 | 0000006632 | RACK PULLEY TY 1 POINT | 2 | EA | 11201008 |
| 3 | 0000008419 | BOLT MACH SQ HEAD HOT DIP GALV G5 5/8 X 12 | 1 | EA | 11201008 |
| 4 | 0000001236 | WASHER COIL SPRING ZINC FOR 5/8 IN BOLT | 1 | EA | 11201008 |

| | | |
|----------------|---|--|
| 1120-10 | POLES, HARDWARE, AND FRAMING HARDWARE RACKS - NEUTRAL/XFMR/SER/SEC |  |
| Sheet 3 of 3 | | |
| Rev: 07/01/20 | | |

| | | |
|--------------|---------------|-----------------------|
| CU-ID | CU-REF | CU-DESCRIPTION |
|--------------|---------------|-----------------------|

| | | |
|-----------------|----------|-----------------------------|
| BRKTRK1P14INDBL | 11201009 | BRKT RACK 1 POINT 14 IN-DBL |
|-----------------|----------|-----------------------------|

| ID | PART NUM | PART DESC | QTY | | CU-REF |
|----|------------|--|-----|----|----------|
| 1 | 0000017301 | INSULATOR SPOOL 3 INCH POLYMER | 2 | EA | 11201009 |
| 2 | 0000006632 | RACK PULLEY TY 1 POINT | 2 | EA | 11201009 |
| 3 | 0000008420 | BOLT MACH SQ HEAD HOT DIP GALV G5 5/8 X 14 | 1 | EA | 11201009 |
| 4 | 0000001236 | WASHER COIL SPRING ZINC FOR 5/8 IN BOLT | 1 | EA | 11201009 |

| | | |
|---------------|----------|---------------------------|
| BRKTRK1PBCKUP | 11201015 | BRKT RACK 1 POINT BACK UP |
|---------------|----------|---------------------------|

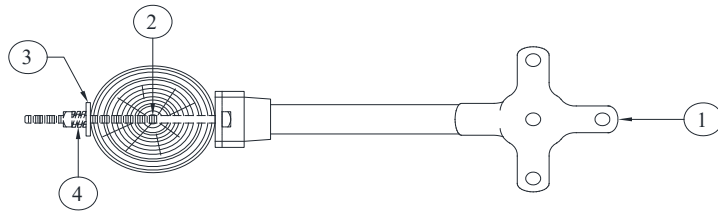
| ID | PART NUM | PART DESC | QTY | | CU-REF |
|----|------------|--------------------------------|-----|----|----------|
| 1 | 0000017301 | INSULATOR SPOOL 3 INCH POLYMER | 1 | EA | 11201015 |
| 2 | 0000006632 | RACK PULLEY TY 1 POINT | 1 | EA | 11201015 |

| | | |
|---------------|----------|-------------------------------|
| BRKTRK1PW/EXT | 11201020 | BRKT RACK 1 POINT W/EXTENSION |
|---------------|----------|-------------------------------|

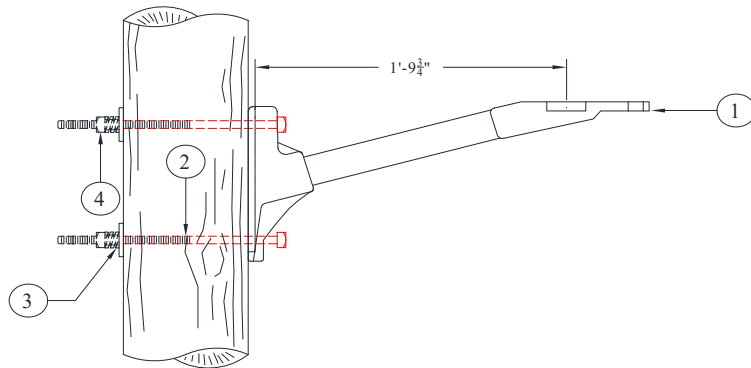
| ID | PART NUM | PART DESC | QTY | | CU-REF |
|----|------------|--|-----|----|----------|
| 1 | 0000017301 | INSULATOR SPOOL 3 INCH POLYMER | 1 | EA | 11201020 |
| 2 | 0000006632 | RACK PULLEY TY 1 POINT | 1 | EA | 11201020 |
| 3 | 0000008420 | BOLT MACH SQ HEAD HOT DIP GALV G5 5/8 X 14 | 1 | EA | 11201020 |
| 4 | 0000008499 | WASHER SQ HOT DIP GALV 2-1/4 IN X 2-1/4 IN X 3/16 IN | 1 | EA | 11201020 |
| 5 | 0000001236 | WASHER COIL SPRING ZINC FOR 5/8 IN BOLT | 1 | EA | 11201020 |
| 6 | 0000006607 | EXTENSION BRACKET SECONDARY RACK | 1 | EA | 11201020 |
| 7 | 0000008417 | BOLT MACH SQ HEAD HOT DIP GALV G5 5/8 X 1-1/2 | 1 | EA | 11201020 |
| 8 | 0000008481 | WASHER SPLIT LOCK GALV 5/8 INCH | 1 | EA | 11201020 |

| |
|----------------|
| 1120-11 |
| Sheet 1 of 2 |
| Rev: 07/01/20 |

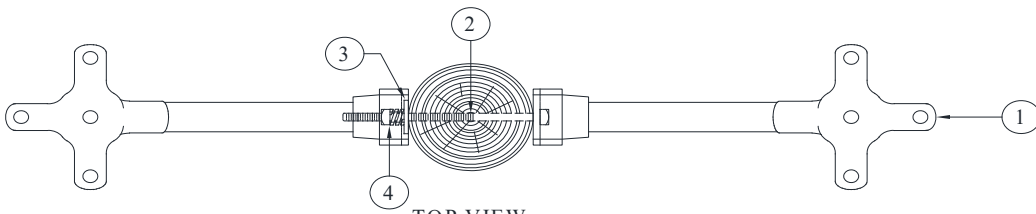
**POLES, HARDWARE, AND FRAMING
HARDWARE
FIBERGLASS ARM - PRIMARY**



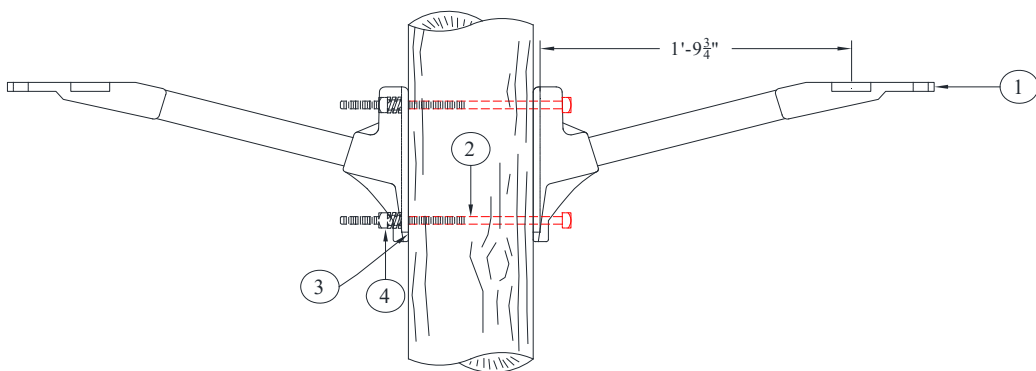
TOP VIEW




SIDE VIEW
1120-11-01 SINGLE



TOP VIEW



SIDE VIEW
1120-11-02 DOUBLE

| | | |
|----------------|---|--|
| 1120-11 | POLES, HARDWARE, AND FRAMING HARDWARE FIBERGLASS ARM - PRIMARY |  |
| Sheet 2 of 2 | | |
| Rev: 07/01/20 | | |

CU

| | | |
|--------------|---------------|-----------------------|
| CU-ID | CU-REF | CU-DESCRIPTION |
|--------------|---------------|-----------------------|

| | | |
|-------------------|----------|-------------------------|
| BRKT3EARFG18INSGL | 11201101 | BRKT 3 EAR FG 18 IN-SGL |
|-------------------|----------|-------------------------|

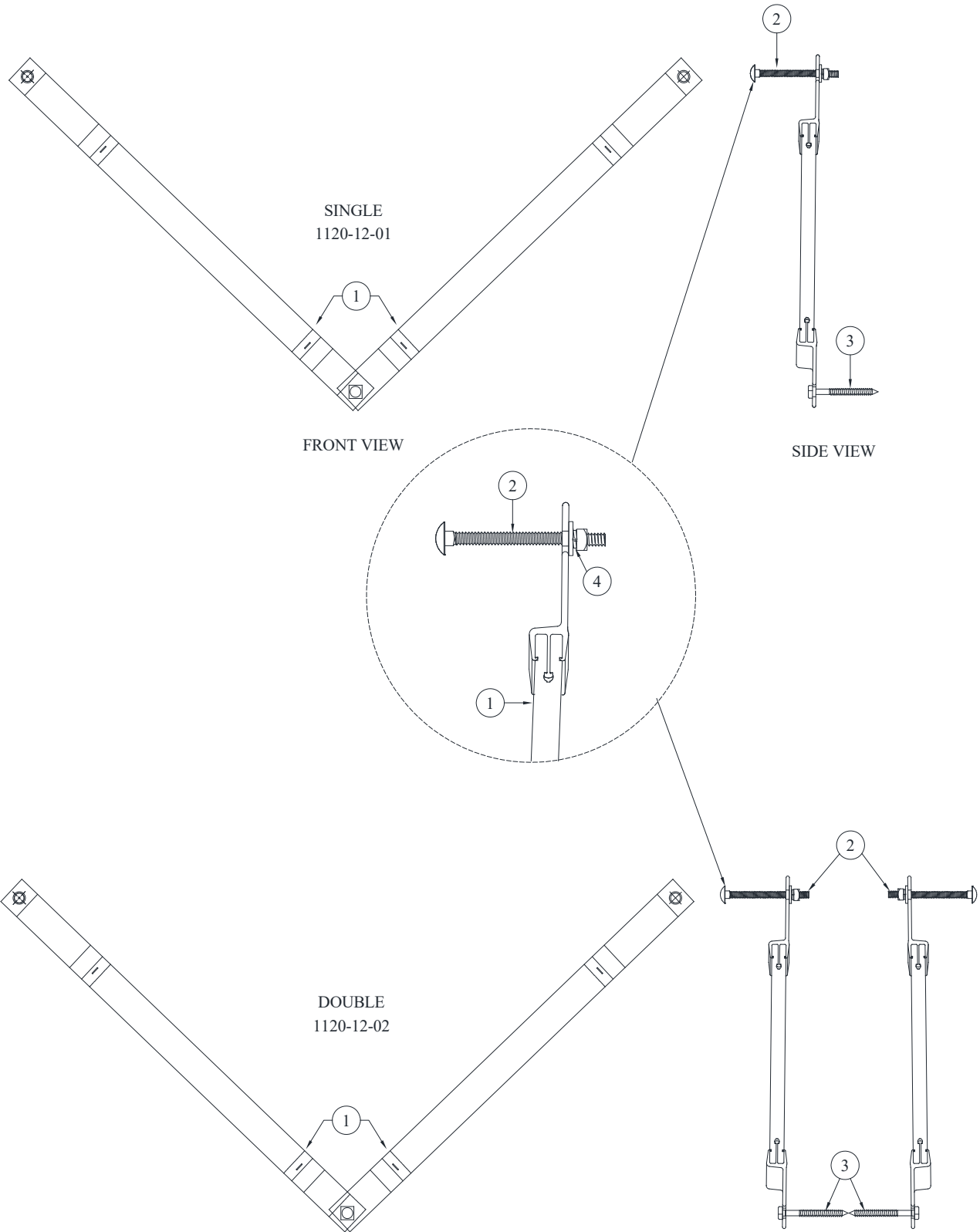
| ID | PART NUM | PART DESC | QTY | EA | CU-REF |
|----|------------|--|-----|----|----------|
| 1 | 0000001195 | BRACKET THREE EAR FBRGS 18IN | 1 | EA | 11201101 |
| 2 | 0000001236 | WASHER COIL SPRING ZINC FOR 5/8 IN BOLT | 2 | EA | 11201101 |
| 3 | 0000008419 | BOLT MACH SQ HEAD HOT DIP GALV G5 5/8 X 12 | 2 | EA | 11201101 |
| 4 | 0000008499 | WASHER SQ HOT DIP GALV 2-1/4 IN X 2-1/4 IN X 3/16 IN | 2 | EA | 11201101 |


| | | |
|-------------------|----------|-------------------------|
| BRKT3EARFG18INDBL | 11201102 | BRKT 3 EAR FG 18 IN-DBL |
|-------------------|----------|-------------------------|

| ID | PART NUM | PART DESC | QTY | EA | CU-REF |
|----|------------|--|-----|----|----------|
| 1 | 0000001195 | BRACKET THREE EAR FBRGS 18IN | 2 | EA | 11201102 |
| 2 | 0000001236 | WASHER COIL SPRING ZINC FOR 5/8 IN BOLT | 2 | EA | 11201102 |
| 3 | 0000008420 | BOLT MACH SQ HEAD HOT DIP GALV G5 5/8 X 14 | 2 | EA | 11201102 |

| |
|----------------|
| 1120-12 |
| Sheet 1 of 2 |
| Rev: 07/01/20 |

**POLES, HARDWARE, AND FRAMING
HARDWARE
XARM BRACE WOOD 26IN SPREAD SGL/DBL**



| | | |
|----------------|--|--|
| 1120-12 | POLES, HARDWARE, AND FRAMING HARDWARE XARM BRACE WOOD 26IN SPREAD SGL/DBL |  |
| Sheet 2 of 2 | | |
| Rev: 07/01/20 | | |

CU

| | | |
|--------------|---------------|-----------------------|
| CU-ID | CU-REF | CU-DESCRIPTION |
|--------------|---------------|-----------------------|

| | | |
|-----------------------|----------|------------------------------------|
| WDBRACE26INSGL8FTXARM | 11201201 | WOOD BRACE 26 IN FOR SGL 8 FT XARM |
|-----------------------|----------|------------------------------------|

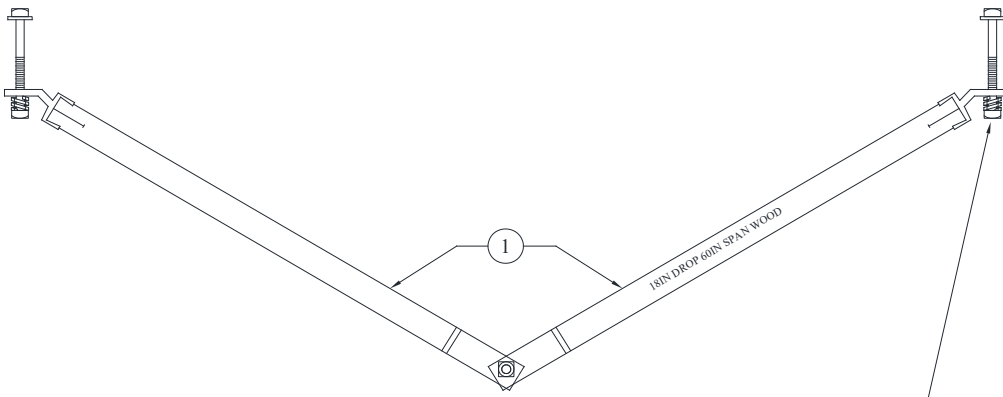
| ID | PART NUM | PART DESC | QTY | | CU-REF |
|----|------------|---|-----|----|----------|
| 1 | 000000870 | BRACE CROSS ARM WOOD 26 INCH FOR 8FT CROSS ARMS | 1 | EA | 11201201 |
| 2 | 0000008437 | BOLT CARRIAGE HOT DIP GALV G2CT 3/8 X 4 | 2 | EA | 11201201 |
| 3 | 0000008443 | BOLT LAG HOT DIP GALV FETTER DRIVE G5CT 1/2 X 4 | 1 | EA | 11201201 |
| 4 | 0000008492 | WASHER SPLIT LOCK ZINC 3/8 | 2 | EA | 11201201 |

| | | |
|-----------------------|----------|------------------------------------|
| WDBRACE26INDBL8FTXARM | 11201202 | WOOD BRACE 26 IN FOR DBL 8 FT XARM |
|-----------------------|----------|------------------------------------|

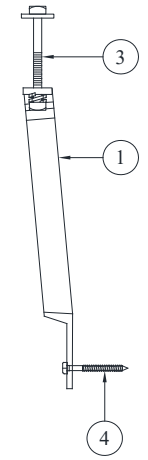
| ID | PART NUM | PART DESC | QTY | | CU-REF |
|----|------------|---|-----|----|----------|
| 1 | 000000870 | BRACE CROSS ARM WOOD 26 INCH FOR 8FT CROSS ARMS | 2 | EA | 11201202 |
| 2 | 0000008437 | BOLT CARRIAGE HOT DIP GALV G2CT 3/8 X 4 | 4 | EA | 11201202 |
| 3 | 0000008443 | BOLT LAG HOT DIP GALV FETTER DRIVE G5CT 1/2 X 4 | 2 | EA | 11201202 |
| 4 | 0000008492 | WASHER SPLIT LOCK ZINC 3/8 | 4 | EA | 11201202 |

| |
|----------------|
| 1120-13 |
| Sheet 1 of 2 |
| Rev: 07/01/20 |

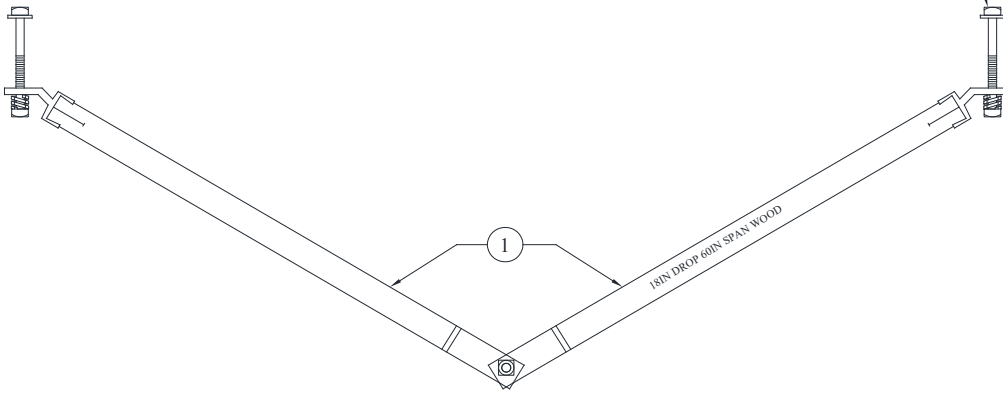
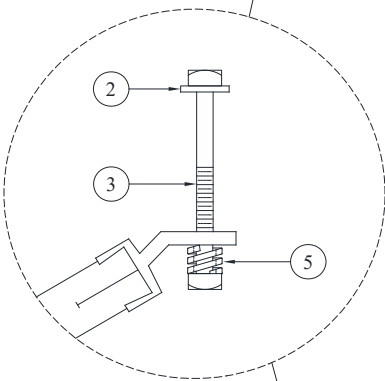
**POLES, HARDWARE, AND FRAMING
HARDWARE
XARM BRACE WOOD 60IN SPREAD SGL/DBL**



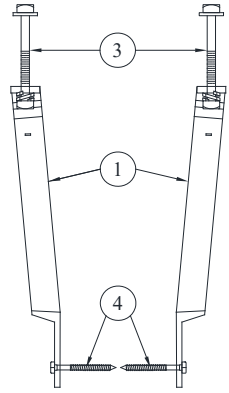
**SINGLE
1120-13-01
FRONT VIEW**



SIDE VIEW

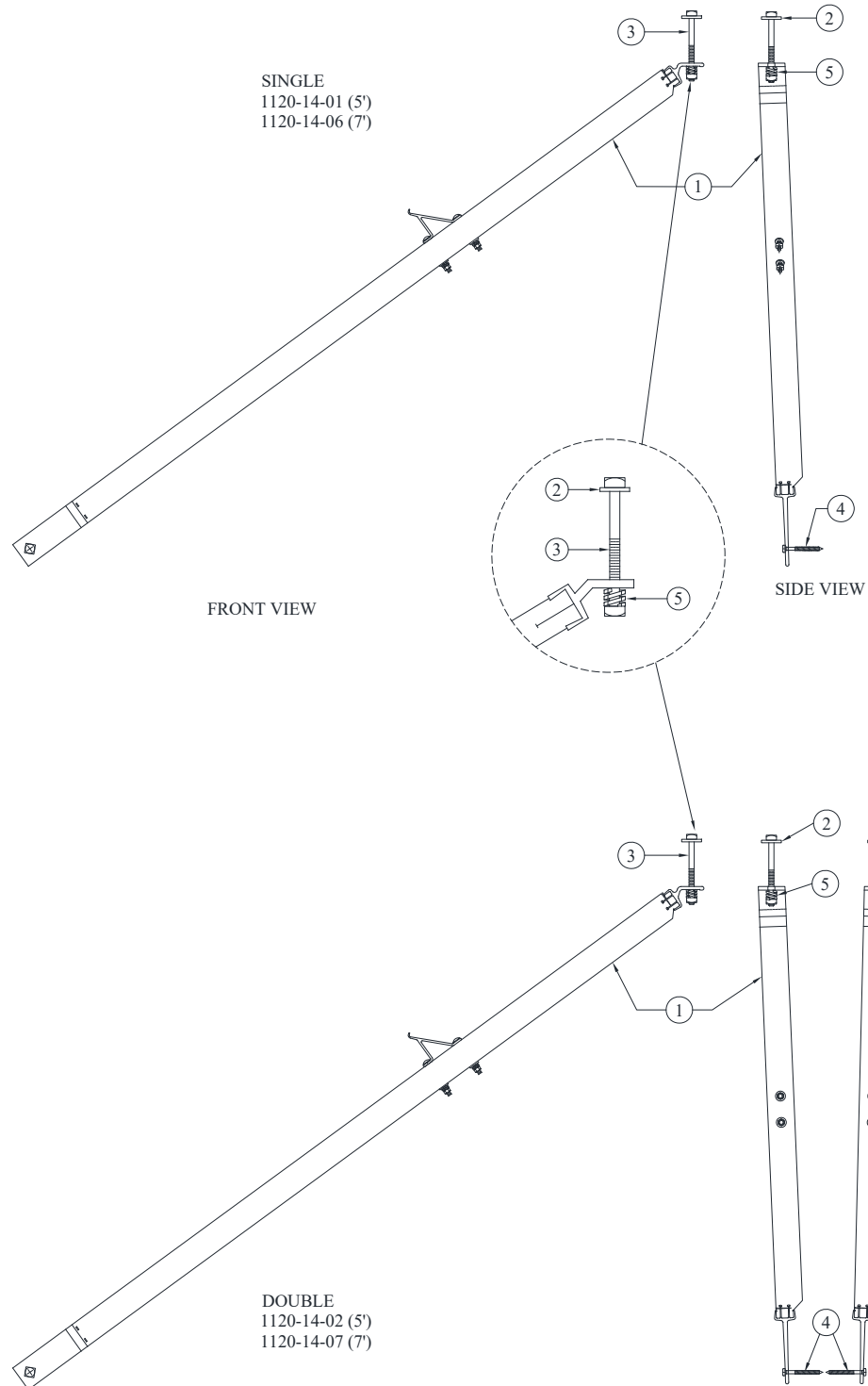



**DOUBLE
1120-13-02**



| |
|----------------|
| 1120-14 |
| Sheet 1 of 2 |
| Rev: 07/01/20 |

POLES, HARDWARE, AND FRAMING
HARDWARE
BRACE ALLEY ARM - 5'/7'



| | | |
|----------------|---|--|
| 1120-14 | POLES, HARDWARE, AND FRAMING HARDWARE BRACE ALLEY ARM - 5'7' |  |
| Sheet 2 of 2 | | |
| Rev: 07/01/20 | | |

CU

| | | |
|--------------|---------------|-----------------------|
| CU-ID | CU-REF | CU-DESCRIPTION |
|--------------|---------------|-----------------------|

| | | |
|--------------------|----------|--|
| WDBRACE5FTSGL8FTAA | 11201401 | WOOD BRACE 5 FT FOR SGL 8 FT ALLEY ARM |
|--------------------|----------|--|

| ID | PART NUM | PART DESC | QTY | EA | CU-REF |
|----|------------|---|-----|----|----------|
| 1 | 0000001200 | BRACE WOOD ALLEY ARM 5 FT REVERSIBLE | 1 | EA | 11201401 |
| 2 | 0000001234 | WASHER COIL SPRING ZINC FOR 1/2 IN BOLT | 1 | EA | 11201401 |
| 3 | 0000008413 | BOLT MACH SQ HEAD HOT DIP GALV G5 1/2 X 6 | 1 | EA | 11201401 |
| 4 | 0000008443 | BOLT LAG HOT DIP GALV FETTER DRIVE G5CT 1/2 X 4 | 1 | EA | 11201401 |
| 5 | 0000008494 | WASHER ROUND HOT DIP GALV 1/2 INCH | 1 | EA | 11201401 |

| | | |
|--------------------|----------|--|
| WDBRACE5FTDBL8FTAA | 11201402 | WOOD BRACE 5 FT FOR DBL 8 FT ALLEY ARM |
|--------------------|----------|--|

| ID | PART NUM | PART DESC | QTY | EA | CU-REF |
|----|------------|---|-----|----|----------|
| 1 | 0000001200 | BRACE WOOD ALLEY ARM 5 FT REVERSIBLE | 2 | EA | 11201402 |
| 2 | 0000001234 | WASHER COIL SPRING ZINC FOR 1/2 IN BOLT | 2 | EA | 11201402 |
| 3 | 0000008413 | BOLT MACH SQ HEAD HOT DIP GALV G5 1/2 X 6 | 2 | EA | 11201402 |
| 4 | 0000008443 | BOLT LAG HOT DIP GALV FETTER DRIVE G5CT 1/2 X 4 | 2 | EA | 11201402 |
| 5 | 0000008494 | WASHER ROUND HOT DIP GALV 1/2 INCH | 2 | EA | 11201402 |

| | | |
|---------------------|----------|---|
| WDBRACE7FTSGL10FTAA | 11201406 | WOOD BRACE 7 FT FOR SGL 10 FT ALLEY ARM |
|---------------------|----------|---|

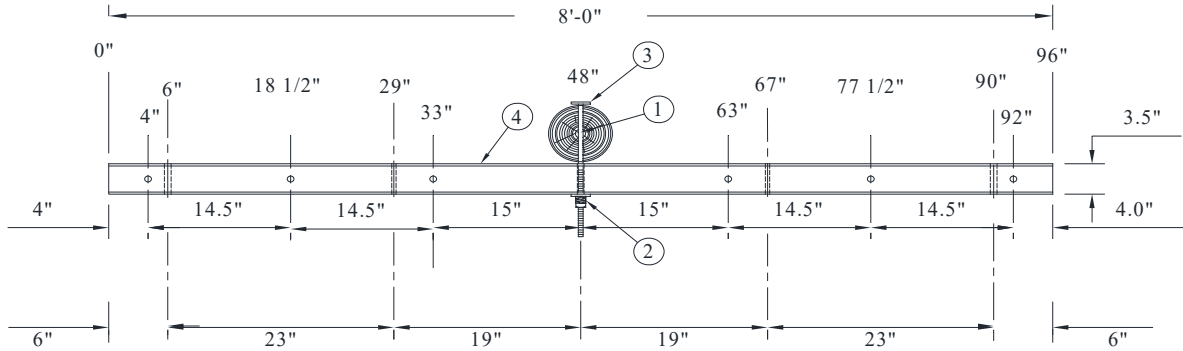
| ID | PART NUM | PART DESC | QTY | EA | CU-REF |
|----|------------|---|-----|----|----------|
| 1 | 0000001201 | BRACE WOOD ALLEY 7 FT REVERSIBLE | 1 | EA | 11201406 |
| 2 | 0000001234 | WASHER COIL SPRING ZINC FOR 1/2 IN BOLT | 1 | EA | 11201406 |
| 3 | 0000008413 | BOLT MACH SQ HEAD HOT DIP GALV G5 1/2 X 6 | 1 | EA | 11201406 |
| 4 | 0000008443 | BOLT LAG HOT DIP GALV FETTER DRIVE G5CT 1/2 X 4 | 1 | EA | 11201406 |
| 5 | 0000008494 | WASHER ROUND HOT DIP GALV 1/2 INCH | 1 | EA | 11201406 |

| | | |
|---------------------|----------|---|
| WDBRACE7FTDBL10FTAA | 11201407 | WOOD BRACE 7 FT FOR DBL 10 FT ALLEY ARM |
|---------------------|----------|---|

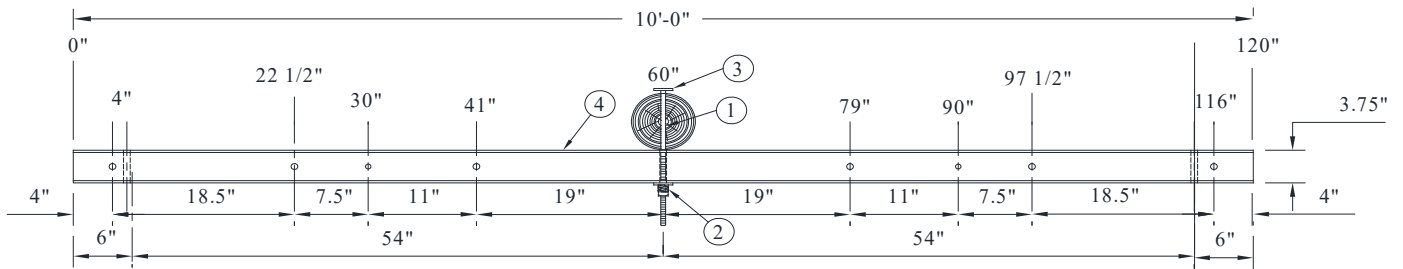
| ID | PART NUM | PART DESC | QTY | EA | CU-REF |
|----|------------|---|-----|----|----------|
| 1 | 0000001201 | BRACE WOOD ALLEY 7 FT REVERSIBLE | 2 | EA | 11201407 |
| 2 | 0000001234 | WASHER COIL SPRING ZINC FOR 1/2 IN BOLT | 2 | EA | 11201407 |
| 3 | 0000008413 | BOLT MACH SQ HEAD HOT DIP GALV G5 1/2 X 6 | 2 | EA | 11201407 |
| 4 | 0000008443 | BOLT LAG HOT DIP GALV FETTER DRIVE G5CT 1/2 X 4 | 2 | EA | 11201407 |
| 5 | 0000008494 | WASHER ROUND HOT DIP GALV 1/2 INCH | 2 | EA | 11201407 |

| |
|-----------------|
| 1120-15A |
| Sheet 1 of 4 |
| Rev: 07/01/20 |

POLES, HARDWARE, AND FRAMING
HARDWARE
XARMS LD WOOD 8'/10'



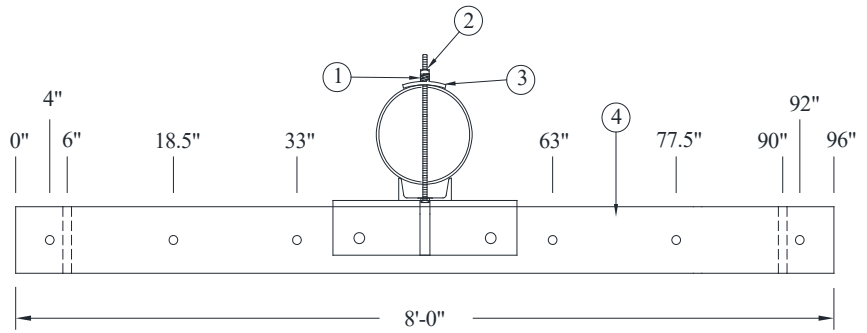
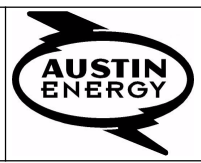
1120-15-1 SINGLE WOOD-8'
1120-15-2 DOUBLE WOOD-8'



1120-15-3 SINGLE WOOD-10'
1120-15-4 DOUBLE WOOD-10'

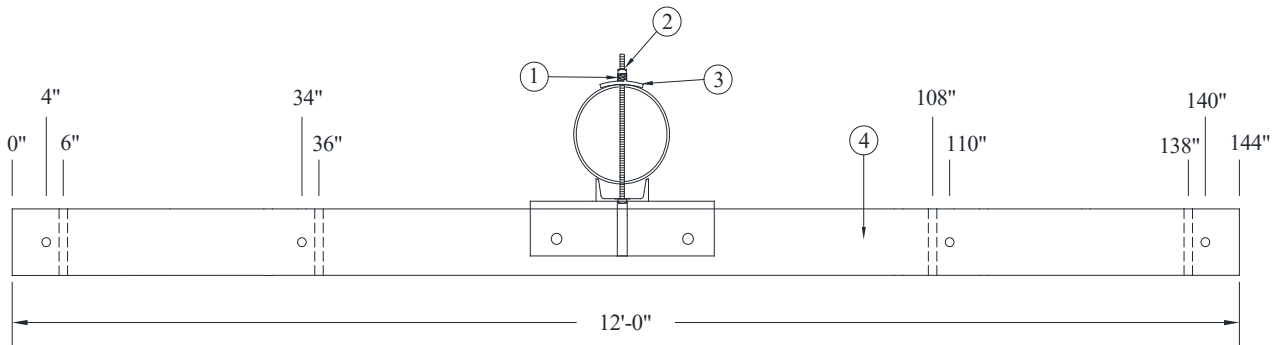
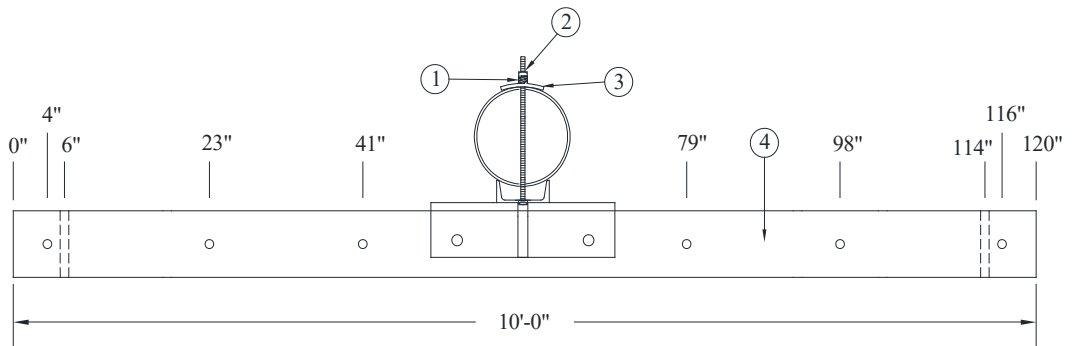
| |
|-----------------|
| 1120-15B |
| Sheet 2 of 4 |
| Rev: 07/01/20 |


POLES, HARDWARE, AND FRAMING
HARDWARE
XARMS LD FIBERGLASS 8'/10'/12'



SINGLE FIBERGLASS
1120-15-06 8FT
1120-15-08 10FT
1120-15-10 12FT

DOUBLE FIBERGLASS
1120-15-07 8FT
1120-15-09 10FT
1120-15-12 12FT



| | | |
|-----------------|---|--|
| 1120-15B | POLES, HARDWARE, AND FRAMING HARDWARE XARMS LD FIBERGLASS 8'/10'/12' |  |
| Sheet 4 of 4 | | |
| Rev: 07/01/20 | | |

| | | |
|--------------|---------------|-----------------------|
| CU-ID | CU-REF | CU-DESCRIPTION |
|--------------|---------------|-----------------------|

| | | |
|---------------|----------|----------------------------|
| ARMFGLDDBL8FT | 11201507 | ARM FIBERGLASS LD DBL 8 FT |
|---------------|----------|----------------------------|

| ID | PART NUM | PART DESC | QTY | EA | CU-REF |
|----|------------|--|-----|----|----------|
| 1 | 0000001236 | WASHER COIL SPRING ZINC FOR 5/8 IN BOLT | 6 | EA | 11201507 |
| 2 | 0000008499 | WASHER SQ HOT DIP GALV 2-1/4 IN X 2-1/4 IN X 3/16 IN | 10 | EA | 11201507 |
| 3 | 0000008690 | BOLT DBL ARMING HOT DIP GALV ALL THREAD 5/8 X 22 | 3 | EA | 11201507 |
| 4 | 0000018198 | CROSSARM TANGENT 8FT FIBERGLASS GRAY | 2 | EA | 11201507 |

| | | |
|----------------|----------|-----------------------------|
| ARMFGLDSGL10FT | 11201508 | ARM FIBERGLASS LD SGL 10 FT |
|----------------|----------|-----------------------------|

| ID | PART NUM | PART DESC | QTY | EA | CU-REF |
|----|------------|--|-----|----|----------|
| 1 | 0000001236 | WASHER COIL SPRING ZINC FOR 5/8 IN BOLT | 1 | EA | 11201508 |
| 2 | 0000008420 | BOLT MACH SQ HEAD HOT DIP GALV G5 5/8 X 14 | 1 | EA | 11201508 |
| 3 | 0000008499 | WASHER SQ HOT DIP GALV 2-1/4 IN X 2-1/4 IN X 3/16 IN | 2 | EA | 11201508 |
| 4 | 0000018197 | CROSSARM TANGENT 10FT FIBERGLASS GRAY | 1 | EA | 11201508 |

| | | |
|----------------|----------|-----------------------------|
| ARMFGLDDBL10FT | 11201509 | ARM FIBERGLASS LD DBL 10 FT |
|----------------|----------|-----------------------------|

| ID | PART NUM | PART DESC | QTY | EA | CU-REF |
|----|------------|--|-----|----|----------|
| 1 | 0000001236 | WASHER COIL SPRING ZINC FOR 5/8 IN BOLT | 6 | EA | 11201509 |
| 2 | 0000008499 | WASHER SQ HOT DIP GALV 2-1/4 IN X 2-1/4 IN X 3/16 IN | 10 | EA | 11201509 |
| 3 | 0000008690 | BOLT DBL ARMING HOT DIP GALV ALL THREAD 5/8 X 22 | 3 | EA | 11201509 |
| 4 | 0000018197 | CROSSARM TANGENT 10FT FIBERGLASS GRAY | 2 | EA | 11201509 |

| | | |
|---------------|----------|-----------------------------|
| ARFMFGSGL12FT | 11201510 | ARM FIBERGLASS LD SGL 12 FT |
|---------------|----------|-----------------------------|

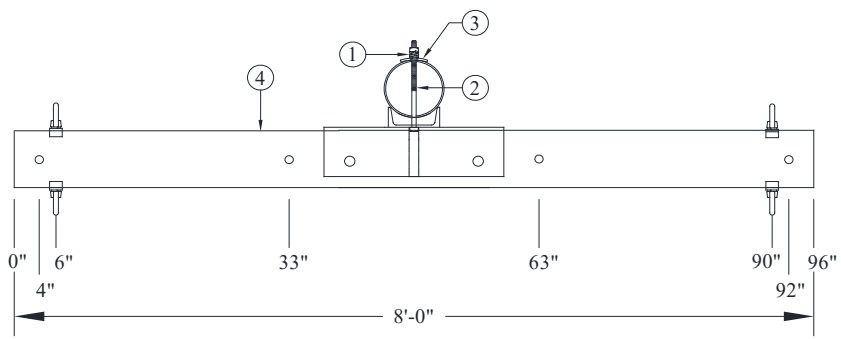
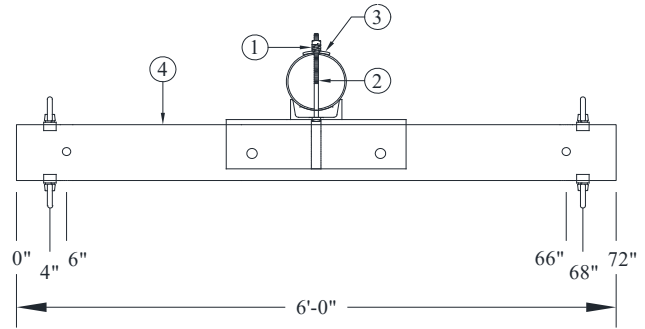
| ID | PART NUM | PART DESC | QTY | EA | CU-REF |
|----|------------|--|-----|----|----------|
| 1 | 0000001235 | WASHER COIL SPRING ZINC FOR 3/4 IN BOLT | 2 | EA | 11201510 |
| 2 | 0000008499 | WASHER SQ HOT DIP GALV 2-1/4 IN X 2-1/4 IN X 3/16 IN | 2 | EA | 11201510 |
| 3 | 0000008694 | BOLT DBL ARMING HOT DIP GALV ALL THREAD 3/4 X 32 | 2 | EA | 11201510 |
| 4 | 0000018072 | CROSSARM TANGENT 12 FT FIBERGLASS GRAY | 1 | EA | 11201510 |

| | | |
|---------------|----------|-----------------------------|
| ARFMFGDBL12FT | 11201512 | ARM FIBERGLASS LD DBL 12 FT |
|---------------|----------|-----------------------------|

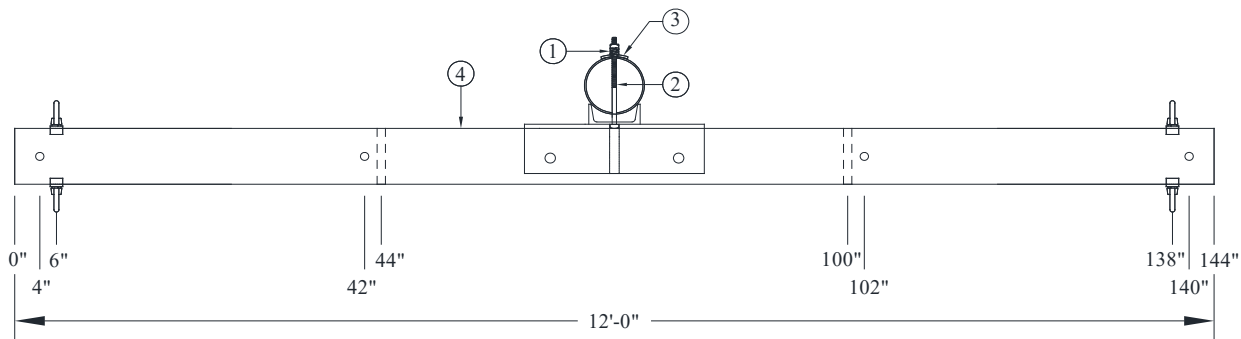
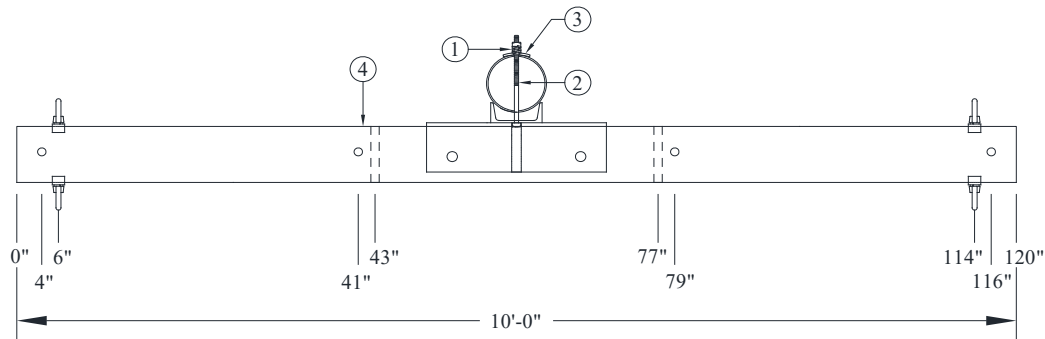
| ID | PART NUM | PART DESC | QTY | EA | CU-REF |
|----|------------|--|-----|----|----------|
| 1 | 0000001235 | WASHER COIL SPRING ZINC FOR 3/4 IN BOLT | 2 | EA | 11201512 |
| 2 | 0000008499 | WASHER SQ HOT DIP GALV 2-1/4 IN X 2-1/4 IN X 3/16 IN | 4 | EA | 11201512 |
| 3 | 0000008694 | BOLT DBL ARMING HOT DIP GALV ALL THREAD 3/4 X 32 | 2 | EA | 11201512 |
| 4 | 0000018072 | CROSSARM TANGENT 12 FT FIBERGLASS GRAY | 2 | EA | 11201512 |

| |
|-----------------|
| 1120-16A |
| Sheet 1 of 4 |
| Rev: 07/01/20 |

**POLES, HARDWARE, AND FRAMING
HARDWARE
HEAVY DUTY FIBERGLASS DE ARMS**

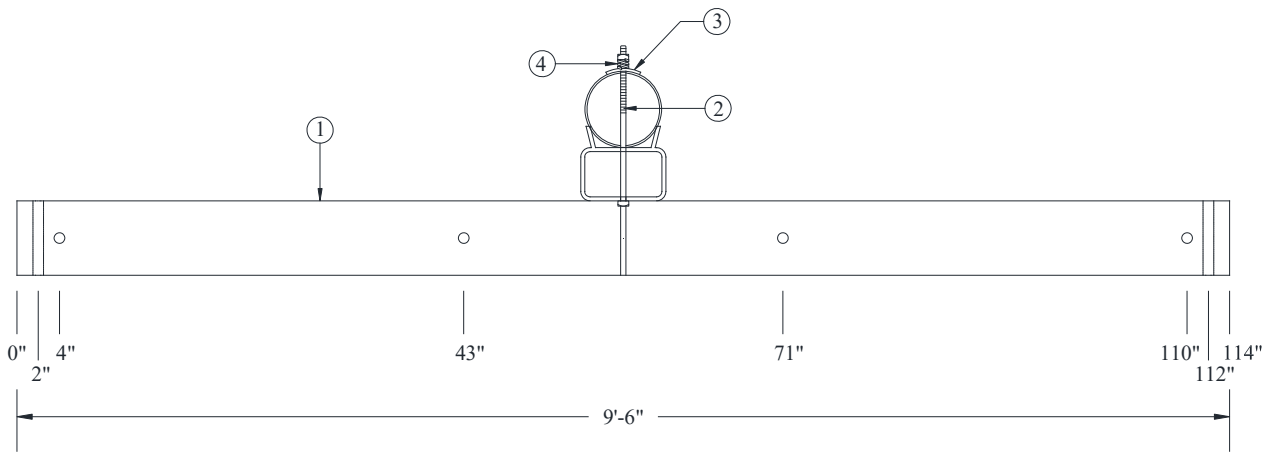
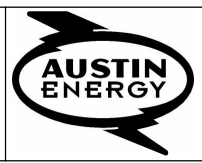


FIBERGLASS
1120-16-10
1120-16-11
1120-16-12
1120-16-15



| |
|-----------------|
| 1120-16B |
| Sheet 1 of 2 |
| Rev: 07/01/20 |

POLES, HARDWARE, AND FRAMING
HARDWARE
HEAVY DUTY STEEL DE ARMS



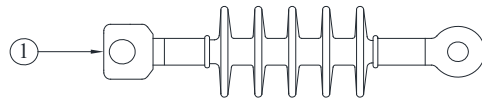
STEEL

1120-16-20

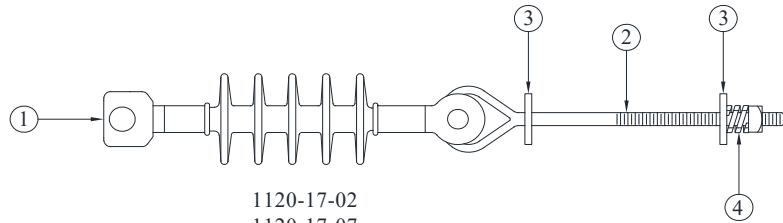
**NOTE: THIS IS PRIMARILY USED IN
UNDERBUILD FRAMING.**

| |
|----------------|
| 1120-17 |
| Sheet 1 of 3 |
| Rev: 07/01/20 |

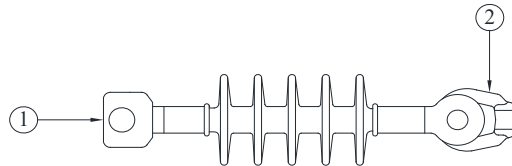
**POLES, HARDWARE, AND FRAMING
HARDWARE
INSULATOR DEADEND - SINGLE**



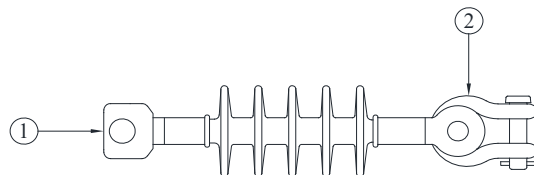
1120-17-01



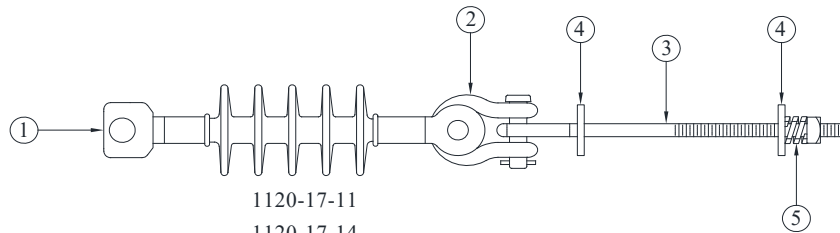
1120-17-02
1120-17-07



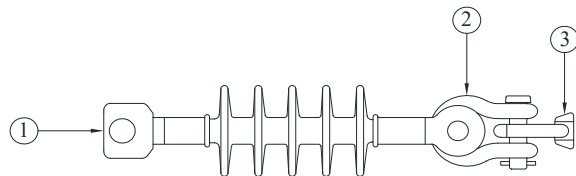
1120-17-03
1120-17-04




1120-17-10



1120-17-11
1120-17-14



1120-17-12
1120-17-13

| | | |
|---------------|---|--|
| 1120-17 | POLES, HARDWARE, AND FRAMING HARDWARE INSULATOR DEADEND - SINGLE |  |
| Sheet 2 of 3 | | |
| Rev: 07/01/20 | | |

CU

CU-ID CU-REF CU-DESCRIPTION

INSDESGL 11201701 INSULATOR DE SGL

| ID | PART NUM | PART DESC | QTY | EA | CU-REF |
|----|-----------|---------------------------------|-----|----|----------|
| 1 | 000000820 | INSULATOR DEADEND POLYMER 15 KV | 1 | EA | 11201701 |

INSDESGL5/8EYEB 11201702 INSULATOR DE SGL W/5/8" EYEBOLT

| ID | PART NUM | PART DESC | QTY | EA | CU-REF |
|----|------------|--|-----|----|----------|
| 1 | 000000820 | INSULATOR DEADEND POLYMER 15 KV | 1 | EA | 11201702 |
| 2 | 0000001236 | WASHER COIL SPRING ZINC FOR 5/8 IN BOLT | 1 | EA | 11201702 |
| 3 | 0000008440 | BOLT BENT EYE HOT DIP GALV CT 5/8 X 12 | 1 | EA | 11201702 |
| 4 | 0000008499 | WASHER SQ HOT DIP GALV 2-1/4 IN X 2-1/4 IN X 3/16 IN | 2 | EA | 11201702 |

INSDESGL5/8EYENUT 11201703 INSULATOR DE SGL W/5/8" EYENUT

| ID | PART NUM | PART DESC | QTY | EA | CU-REF |
|----|------------|---------------------------------|-----|----|----------|
| 1 | 000000820 | INSULATOR DEADEND POLYMER 15 KV | 1 | EA | 11201703 |
| 2 | 0000008470 | NUT EYE GALV 5/8 INCH | 1 | EA | 11201703 |

INSDESGL3/4EYENUT 11201704 INSULATOR DE SGL W/3/4" EYENUT

| ID | PART NUM | PART DESC | QTY | EA | CU-REF |
|----|------------|---------------------------------|-----|----|----------|
| 1 | 000000820 | INSULATOR DEADEND POLYMER 15 KV | 1 | EA | 11201704 |
| 2 | 0000008471 | NUT EYE GALV 3/4 INCH | 1 | EA | 11201704 |

INSDESGL3/4EYEB 11201707 INSULATOR DE SGL W/3/4" EYEBOLT


| ID | PART NUM | PART DESC | QTY | EA | CU-REF |
|----|------------|--|-----|----|----------|
| 1 | 000000820 | INSULATOR DEADEND POLYMER 15 KV | 1 | EA | 11201707 |
| 2 | 0000001235 | WASHER COIL SPRING ZINC FOR 3/4 IN BOLT | 1 | EA | 11201707 |
| 4 | 0000008442 | BOLT BENT EYE HOT DIP GALV CT 3/4 X 12 | 1 | EA | 11201707 |
| 5 | 0000008499 | WASHER SQ HOT DIP GALV 2-1/4 IN X 2-1/4 IN X 3/16 IN | 2 | EA | 11201707 |

INSDESGL/SHK 11201710 INSULATOR DE SGL W/SHACKLE

| ID | PART NUM | PART DESC | QTY | EA | CU-REF |
|----|------------|---------------------------------|-----|----|----------|
| 1 | 000000820 | INSULATOR DEADEND POLYMER 15 KV | 1 | EA | 11201710 |
| 2 | 0000006509 | SHACKLE ANCHOR GALV 25000 LBS | 1 | EA | 11201710 |

INSDESGL5/8EYEB/SHK 11201711 INSULATOR DE SGL W/5/8" EYEBOLT/SHACKLE

| ID | PART NUM | PART DESC | QTY | EA | CU-REF |
|----|------------|--|-----|----|----------|
| 1 | 000000820 | INSULATOR DEADEND POLYMER 15 KV | 1 | EA | 11201711 |
| 2 | 0000001236 | WASHER COIL SPRING ZINC FOR 5/8 IN BOLT | 1 | EA | 11201711 |
| 3 | 0000006509 | SHACKLE ANCHOR GALV 25000 LBS | 1 | EA | 11201711 |
| 4 | 0000008440 | BOLT BENT EYE HOT DIP GALV CT 5/8 X 12 | 1 | EA | 11201711 |
| 5 | 0000008499 | WASHER SQ HOT DIP GALV 2-1/4 IN X 2-1/4 IN X 3/16 IN | 2 | EA | 11201711 |

| | | |
|----------------|---|--|
| 1120-17 | POLES, HARDWARE, AND FRAMING HARDWARE INSULATOR DEADEND - SINGLE |  |
| Sheet 3 of 3 | | |
| Rev: 07/01/20 | | |

| | | |
|--------------|---------------|-----------------------|
| CU-ID | CU-REF | CU-DESCRIPTION |
|--------------|---------------|-----------------------|

| | | |
|-----------------------|----------|--|
| INSDESGL5/8EYENUT/SHK | 11201712 | INSULATOR DE SGL W/5/8" EYENUT/SHACKLE |
|-----------------------|----------|--|

| ID | PART NUM | PART DESC | QTY | EA | CU-REF |
|----|------------|---------------------------------|-----|----|----------|
| 1 | 000000820 | INSULATOR DEADEND POLYMER 15 KV | 1 | EA | 11201712 |
| 2 | 0000006509 | SHACKLE ANCHOR GALV 25000 LBS | 1 | EA | 11201712 |
| 3 | 0000008470 | NUT EYE GALV 5/8 INCH | 1 | EA | 11201712 |

| | | |
|-----------------------|----------|--|
| INSDESGL3/4EYENUT/SHK | 11201713 | INSULATOR DE SGL W/3/4" EYENUT/SHACKLE |
|-----------------------|----------|--|

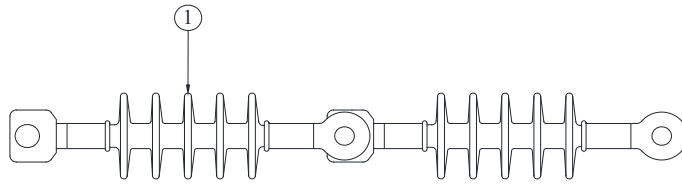
| ID | PART NUM | PART DESC | QTY | EA | CU-REF |
|----|------------|---------------------------------|-----|----|----------|
| 1 | 000000820 | INSULATOR DEADEND POLYMER 15 KV | 1 | EA | 11201713 |
| 2 | 0000006509 | SHACKLE ANCHOR GALV 25000 LBS | 1 | EA | 11201713 |
| 3 | 0000008471 | NUT EYE GALV 3/4 INCH | 1 | EA | 11201713 |

| | | |
|---------------------|----------|---|
| INSDESGL3/4EYEB/SHK | 11201714 | INSULATOR DE SGL W/3/4" EYEBOLT/SHACKLE |
|---------------------|----------|---|

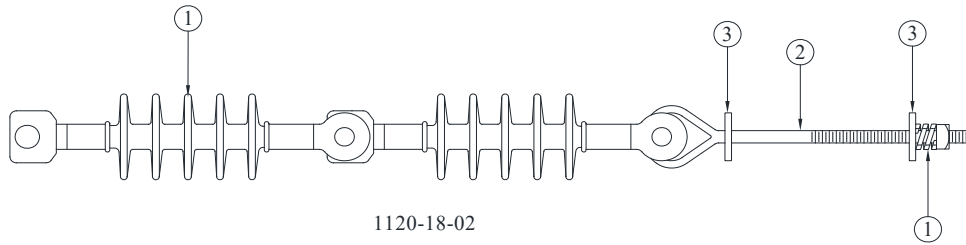
| ID | PART NUM | PART DESC | QTY | EA | CU-REF |
|----|------------|--|-----|----|----------|
| 1 | 000000820 | INSULATOR DEADEND POLYMER 15 KV | 1 | EA | 11201714 |
| 2 | 0000001235 | WASHER COIL SPRING ZINC FOR 3/4 IN BOLT | 1 | EA | 11201714 |
| 3 | 0000006509 | SHACKLE ANCHOR GALV 25000 LBS | 1 | EA | 11201714 |
| 4 | 0000008442 | BOLT BENT EYE HOT DIP GALV CT 3/4 X 12 | 1 | EA | 11201714 |
| 5 | 0000008499 | WASHER SQ HOT DIP GALV 2-1/4 IN X 2-1/4 IN X 3/16 IN | 2 | EA | 11201714 |

| |
|----------------|
| 1120-18 |
| Sheet 1 of 3 |
| Rev: 07/01/20 |

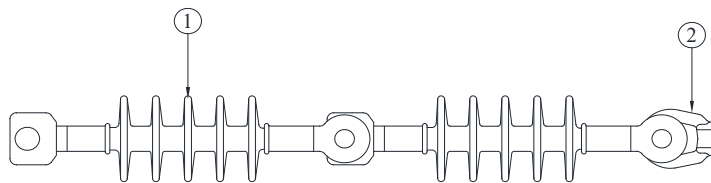
**POLES, HARDWARE, AND FRAMING
HARDWARE
INSULATOR DEADEND - DOUBLE**



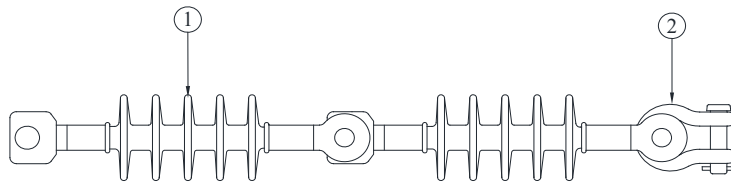
1120-18-01



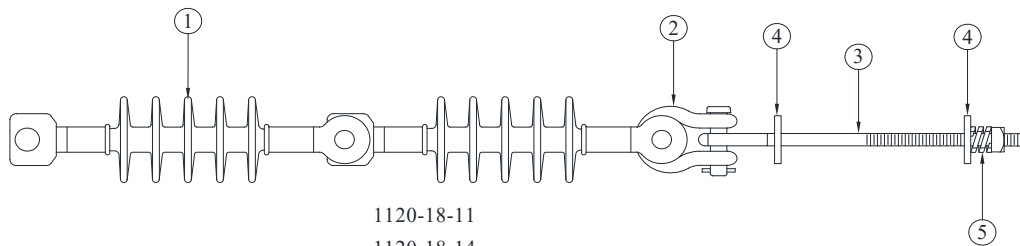
1120-18-02
1120-18-07



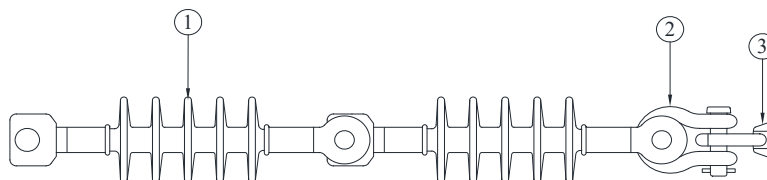
1120-18-03
1120-18-04




1120-18-10



1120-18-11
1120-18-14



1120-18-12
1120-18-13

| | | |
|----------------|---|--|
| 1120-18 | POLES, HARDWARE, AND FRAMING HARDWARE INSULATOR DEADEND - DOUBLE |  |
| Sheet 3 of 3 | | |
| Rev: 07/01/20 | | |

| | | |
|--------------|---------------|-----------------------|
| CU-ID | CU-REF | CU-DESCRIPTION |
|--------------|---------------|-----------------------|

| | | |
|-----------------------|----------|--|
| INSDEDBL5/8EYENUT/SHK | 11201812 | INSULATOR DE DBL W/5/8" EYENUT/SHACKLE |
|-----------------------|----------|--|

| ID | PART NUM | PART DESC | QTY | EA | CU-REF |
|----|------------|---------------------------------|-----|----|----------|
| 1 | 000000820 | INSULATOR DEADEND POLYMER 15 KV | 2 | EA | 11201812 |
| 2 | 0000006509 | SHACKLE ANCHOR GALV 25000 LBS | 1 | EA | 11201812 |
| 3 | 0000008470 | NUT EYE GALV 5/8 INCH | 1 | EA | 11201812 |

| | | |
|-----------------------|----------|--|
| INSDEDBL3/4EYENUT/SHK | 11201813 | INSULATOR DE DBL W/3/4" EYENUT/SHACKLE |
|-----------------------|----------|--|

| ID | PART NUM | PART DESC | QTY | EA | CU-REF |
|----|------------|---------------------------------|-----|----|----------|
| 1 | 000000820 | INSULATOR DEADEND POLYMER 15 KV | 2 | EA | 11201813 |
| 2 | 0000006509 | SHACKLE ANCHOR GALV 25000 LBS | 1 | EA | 11201813 |
| 3 | 0000008471 | NUT EYE GALV 3/4 INCH | 1 | EA | 11201813 |

| | | |
|---------------------|----------|--|
| INSDEDBL3/4EYEB/SHK | 11201816 | INSULATOR DE DBL W/3/4"EYEB WITH SHACKLE |
|---------------------|----------|--|

| ID | PART NUM | PART DESC | QTY | EA | CU-REF |
|----|------------|--|-----|----|----------|
| 1 | 000000820 | INSULATOR DEADEND POLYMER 15 KV | 2 | EA | 11201816 |
| 2 | 0000001235 | WASHER COIL SPRING ZINC FOR 3/4 IN BOLT | 1 | EA | 11201816 |
| 3 | 0000006509 | SHACKLE ANCHOR GALV 25000 LBS | 1 | EA | 11201816 |
| 5 | 0000008499 | WASHER SQ HOT DIP GALV 2-1/4 IN X 2-1/4 IN X 3/16 IN | 2 | EA | 11201816 |
| 4 | 0000024290 | BOLT BENT EYE HOT DIP GALV CT 3/4 X 14 | 1 | EA | 11201816 |