	POLE APPARATUS CAPACITOR BANKS	1349
		Sheet 1 of 1
Rev: 08/01/20		

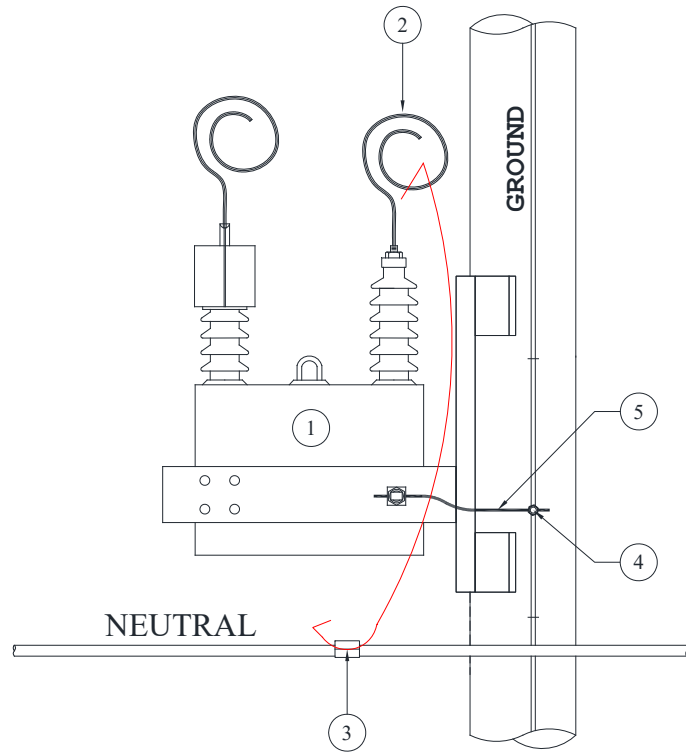
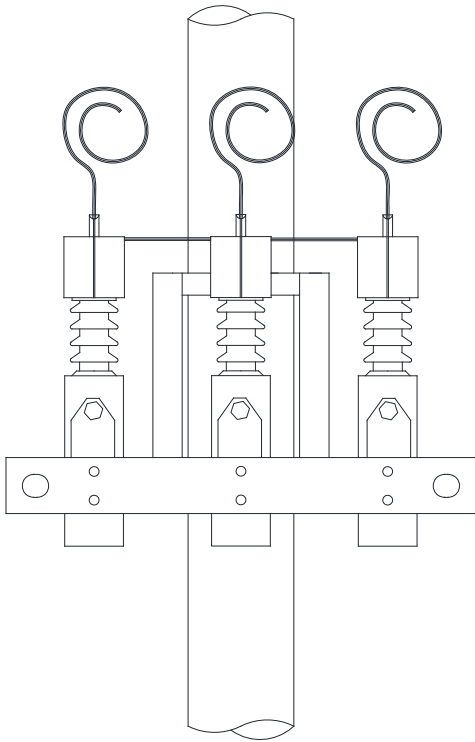
1349

CAPACITOR BANKS


CONTAINS

- 1349-10 CAP BANK 600 KVAR FIXED**
- 1349-20 CAP BANK 1200 KVAR FIXED**
- 1349-30 CAP BANK 1200 KVAR SWITCHED**
- 1349-51 CAP BANK 3PH 600 KVAR ASSY**
- 1349-53 CAP BANK 3PH 1200 KVAR FIXED ASSY**
- 1349-55 CAP BANK 3PH 1200 KVAR SWITCHED ASSY**

1349-10	POLE APPARATUS CAPACITOR BANKS	
Sheet 1 of 2		Rev: 08/01/20
CAPACITOR BANK - 600 KVAR FIXED		



1349-10-10 1/0 NEUTRAL
 1349-10-20 4/0 NEUTRAL

	POLE APPARATUS CAPACITOR BANKS	1349-10
	CAPACITOR BANK - 600 KVAR FIXED	Sheet 2 of 2
Rev: 08/01/20		

CU-ID	CU-REF	CU-DESCRIPTION
--------------	---------------	-----------------------

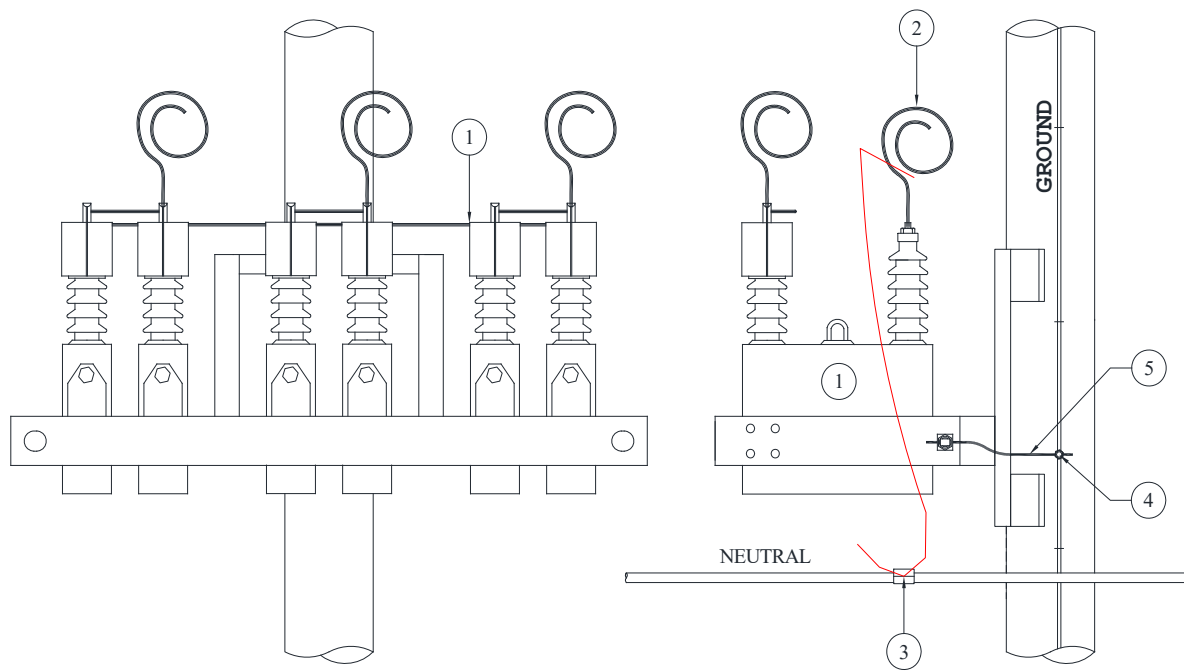
CAPBANK600KVARF1/0N	13491010	CAP BANK 600 KVAR FIXED 1/0 NEUT
---------------------	----------	----------------------------------

ID	PART NUM	PART DESC	QTY		CU-REF
4	0000001301	CONNECTOR COMPRESSION C-SHAPE #6 SOL - #4 STR	1	EA	13491010
5	0000004527	WIRE COP BARE SOFT DRAWN #6	5	EA	13491010
2	0000004672	CABLE SINGLE CONDUCTOR 600 V 1/0 XLP 1000/FT	15	EA	13491010
3	0000005603	TAP COMP H TYPE 1/0 TO #6	1	EA	13491010
6	0000015546	FUSE LINK FITALL 25 AMP CAP BANK KS	3	EA	13491010
1	0000015579	CAPACITOR BANK PRE- ASSY 600KVAR FIXED 7200V E-1630	1	EA	13491010


CAPBANK600KVARF4/0N	13491020	CAP BANK 600 KVAR FIXED 4/0 NEUT
---------------------	----------	----------------------------------

ID	PART NUM	PART DESC	QTY		CU-REF
4	0000001301	CONNECTOR COMPRESSION C-SHAPE #6 SOL - #4 STR	1	EA	13491020
5	0000004527	WIRE COP BARE SOFT DRAWN #6	5	EA	13491020
2	0000004672	CABLE SINGLE CONDUCTOR 600 V 1/0 XLP 1000/FT	15	EA	13491020
3	0000005605	TAP COMP H-TY 4/0 ACSR TO #6	1	EA	13491020
6	0000015546	FUSE LINK FITALL 25 AMP CAP BANK KS	3	EA	13491020
1	0000015579	CAPACITOR BANK PRE- ASSY 600KVAR FIXED 7200V E-1630	1	EA	13491020

1349-20	POLE APPARATUS CAPACITOR BANKS CAPACITOR BANK - 1200 KVAR FIXED	
Sheet 1 of 2		Rev: 08/01/20



1349-20-10 1/0 NEUTRAL
1349-20-20 4/0 NEUTRAL

	POLE APPARATUS CAPACITOR BANKS	1349-20
	CAPACITOR BANK - 1200 KVAR FIXED	Sheet 2 of 2
Rev: 08/01/20		

CU-ID	CU-REF	CU-DESCRIPTION
--------------	---------------	-----------------------

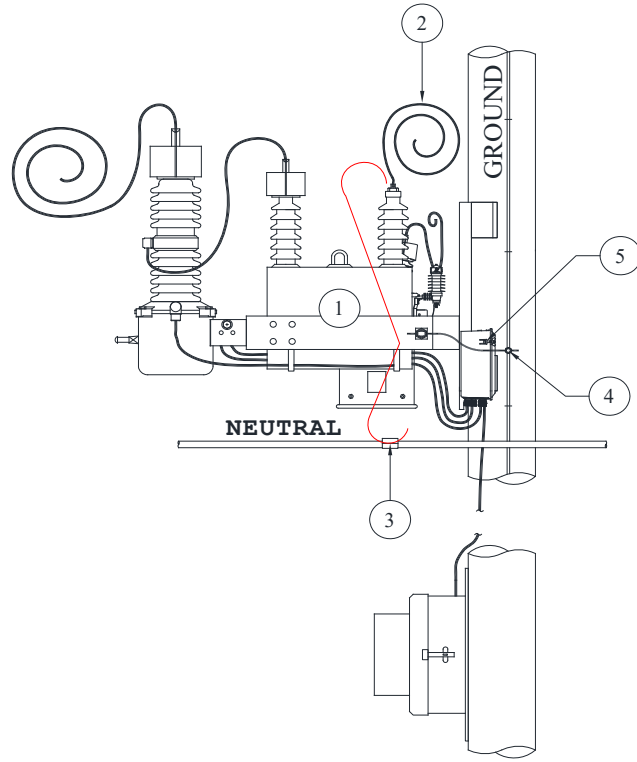
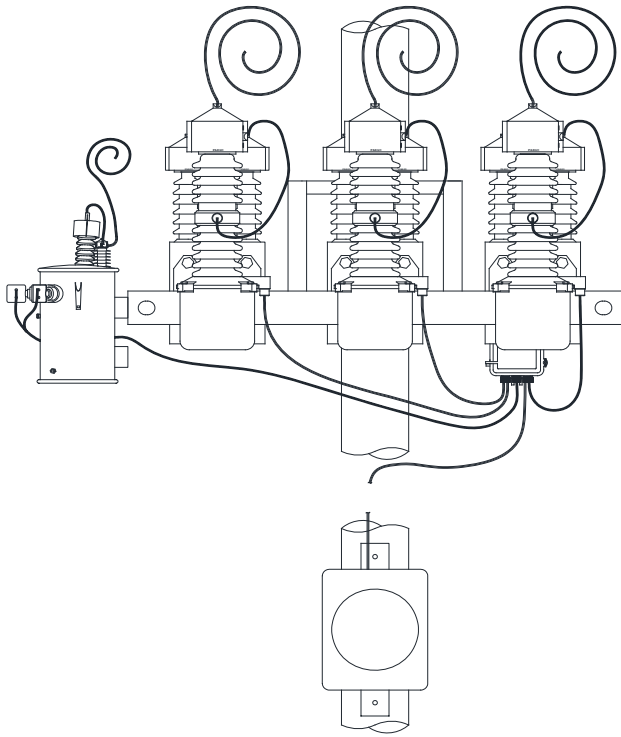
CAPBANK1200KVARF1/0N	13492010	CAP BANK 1200 KVAR FIXED 1/0 NEUT
----------------------	----------	-----------------------------------

ID	PART NUM	PART DESC	QTY	CU-REF
4	0000001301	CONNECTOR COMPRESSION C-SHAPE #6 SOL - #4 STR	1 EA	13492010
5	0000004527	WIRE COP BARE SOFT DRAWN #6	5 EA	13492010
2	0000004672	CABLE SINGLE CONDUCTOR 600 V 1/0 XLP 1000/FT	15 EA	13492010
3	0000005603	TAP COMP H TYPE 1/0 TO #6	1 EA	13492010
6	0000015548	FUSE LINK FITALL 50 AMP CAP BANK KS	3 EA	13492010
1	0000015577	CAPACITOR BANK PRE- ASSY 1200KVAR FIXED 7200V E-1630	1 EA	13492010

CAPBANK1200KVARF4/0N	13492020	CAP BANK 1200 KVAR FIXED 4/0 NEUT
----------------------	----------	-----------------------------------

ID	PART NUM	PART DESC	QTY	CU-REF
4	0000001301	CONNECTOR COMPRESSION C-SHAPE #6 SOL - #4 STR	1 EA	13492020
5	0000004527	WIRE COP BARE SOFT DRAWN #6	5 EA	13492020
2	0000004672	CABLE SINGLE CONDUCTOR 600 V 1/0 XLP 1000/FT	15 EA	13492020
3	0000005605	TAP COMP H-TY 4/0 ACSR TO #6	1 EA	13492020
6	0000015548	FUSE LINK FITALL 50 AMP CAP BANK KS	3 EA	13492020
1	0000015577	CAPACITOR BANK PRE- ASSY 1200KVAR FIXED 7200V E-1630	1 EA	13492020

1349-30	POLE APPARATUS CAPACITOR BANKS	
Sheet 1 of 2		Rev: 08/01/20
CAPACITOR BANK - 1200 KVAR SWITCHED		



NOTE:
METER BASE SHALL BE INSTALLED
7' ABOVE GROUND LEVEL.

1349-30-10 1/0 NEUTRAL
1349-30-20 4/0 NEUTRAL

 Rev: 08/01/20	POLE APPARATUS CAPACITOR BANKS CAPACITOR BANK - 1200 KVAR SWITCHED	1349-30
		Sheet 2 of 2

CU- ID CU- REF CU- DESCRIPTION

CAPBANK1200KVARSW1/0N 13493010 CAP BANK 1200 KVAR SWITCHED 1/0 NEUT

ID	PART NUM	PART DESC	QTY		CU-REF
4	0000001301	CONNECTOR COMPRESSION C-SHAPE #6 SOL - #4 STR	1	EA	13493010
5	0000004527	WIRE COP BARE SOFT DRAWN #6	5	EA	13493010
2	0000004672	CABLE SINGLE CONDUCTOR 600 V 1/0 XLP 1000/FT	15	EA	13493010
3	0000005603	TAP COMP H TYPE 1/0 TO #6	1	EA	13493010
6	0000015548	FUSE LINK FITALL 50 AMP CAP BANK KS	3	EA	13493010
1	0000019562	CAPACITOR BANK PRE ASSY	1	EA	13493010

CAPBANK1200KVARSW4/0N 13493020 CAP BANK 1200 KVAR SWITCHED 4/0 NEUT

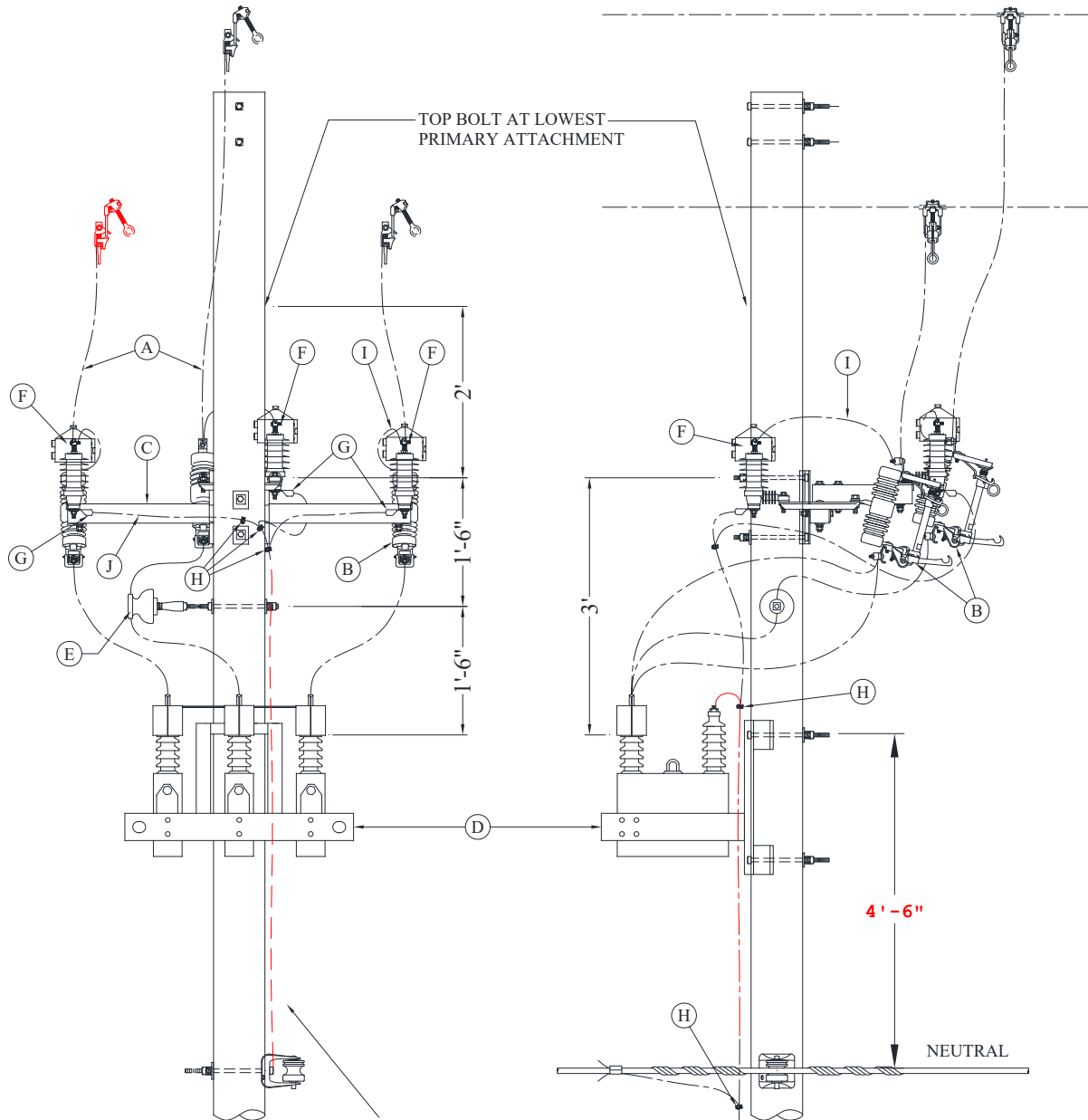
ID	PART NUM	PART DESC	QTY		CU-REF
4	0000001301	CONNECTOR COMPRESSION C-SHAPE #6 SOL - #4 STR	1	EA	13493020
5	0000004527	WIRE COP BARE SOFT DRAWN #6	5	EA	13493020
2	0000004672	CABLE SINGLE CONDUCTOR 600 V 1/0 XLP 1000/FT	15	EA	13493020
3	0000005605	TAP COMP H-TY 4/0 ACSR TO #6	1	EA	13493020
6	0000015548	FUSE LINK FITALL 50 AMP CAP BANK KS	3	EA	13493020
1	0000019562	CAPACITOR BANK PRE ASSY	1	EA	13493020

POLE APPARATUS
CAPACITOR BANKS

CAPACITOR BANK - 3PH 600 KVAR FIXED ASSEMBLY




Rev: 08/01/20



NOTE: REPLACE EXISTING POLE GROUNDS W. #2 TINNED CU

- 1349-51-10 1/0 PRIMARY / 1/0 NEUTRAL
- 1349-51-20 4/0 PRIMARY / 4/0 NEUTRAL
- 1349-51-30 336 PRIMARY / 1/0 NEUTRAL
- 1349-51-40 795 PRIMARY / 1/0 NEUTRAL
- 1349-51-50 795 PRIMARY / 4/0 NEUTRAL
- 1349-51-60 #6 TO 4/0 CU PRIMARY / 1/0 NEUTRAL

	POLE APPARATUS CAPACITOR BANKS	1349-51
	CAPACITOR BANK - 3PH 600 KVAR FIXED ASSEMBLY	Sheet 4 of 4
Rev: 08/01/20		

NOTE: GROUNDING IS BASED ON SOIL CONDITIONS

ASSOCIATED MODULES

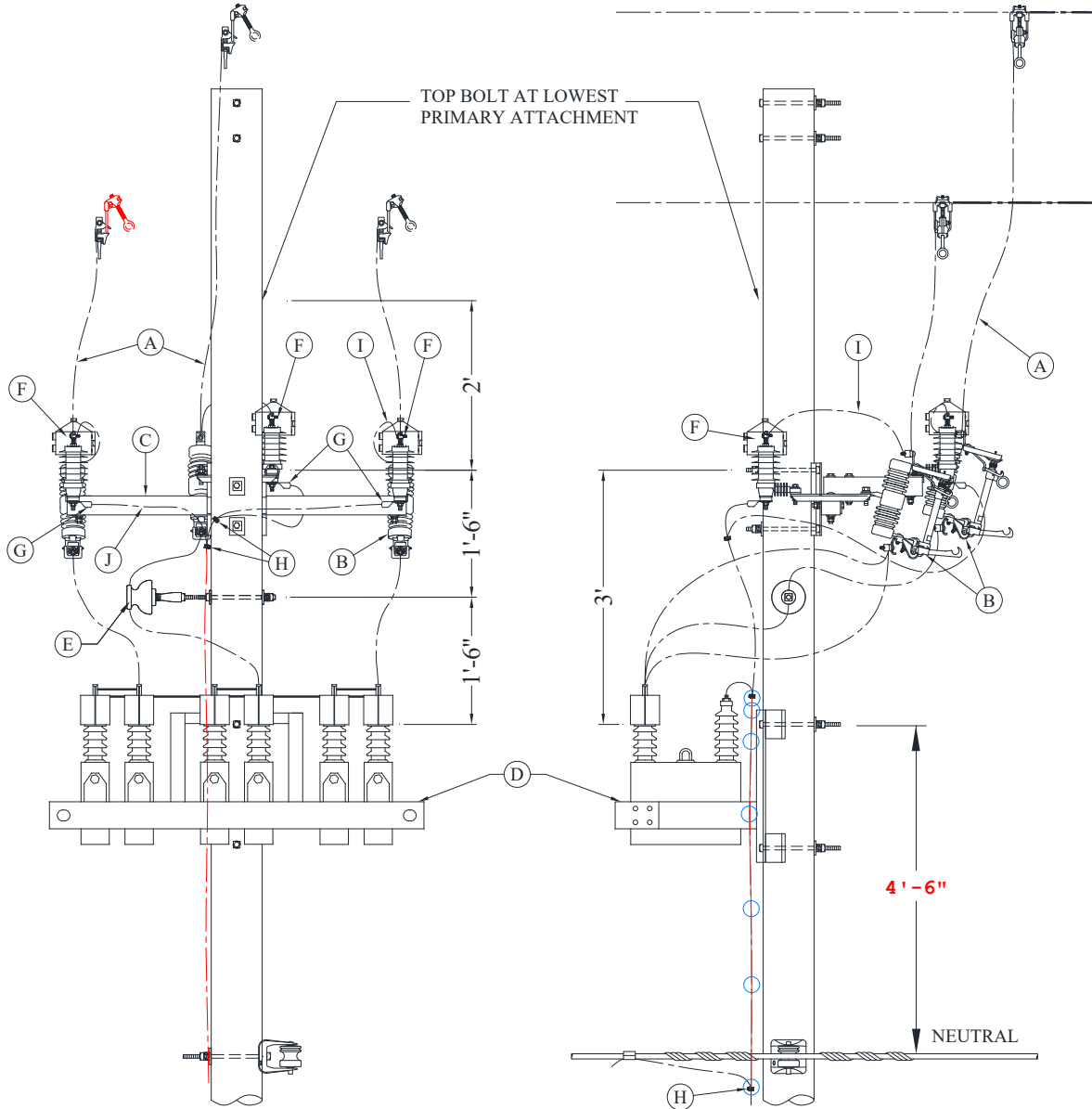
	CU-REF	CU-DESCRIPTION	QTY	MU-REF
1/0 N	11192011	GRD WOOD POLE W/GRD ROD SS #2-1/0N	1	ALL GROUPS
	11192016	GRD WOOD POLE W/GRD ROD RS #2-1/0N	1	ALL GROUPS
4/0 N	11192012	GRD WOOD POLE W/GRD ROD SS #2-4/0N	1	ALL GROUPS
	11192017	GRD WOOD POLE W/GRD ROD RS #2-4/0N	1	ALL GROUPS

POLE APPARATUS
CAPACITOR BANKS

CAPACITOR BANK - 3PH 1200 KVAR FIXED ASSY




1



NOTE: REPLACE EXISTING POLE GROUNDS W. #2 TINNED CU

- 1349-53-10 1/0 PRIMARY / 1/0 NEUTRAL
- 1349-53-20 4/0 PRIMARY / 4/0 NEUTRAL
- 1349-53-30 336 PRIMARY / 1/0 NEUTRAL
- 1349-53-40 795 PRIMARY / 1/0 NEUTRAL
- 1349-53-50 795 PRIMARY / 4/0 NEUTRAL
- 1349-53-60 #6 TO 4/0 CU PRIMARY / 1/0 NEUTRAL

	POLE APPARATUS CAPACITOR BANKS	1349-53
	CAPACITOR BANK - 3PH 1200 KVAR FIXED ASSY	Sheet 4 of 4
Rev: 08/01/20		

NOTE: GROUNDING IS BASED ON SOIL CONDITIONS

ASSOCIATED MODULES

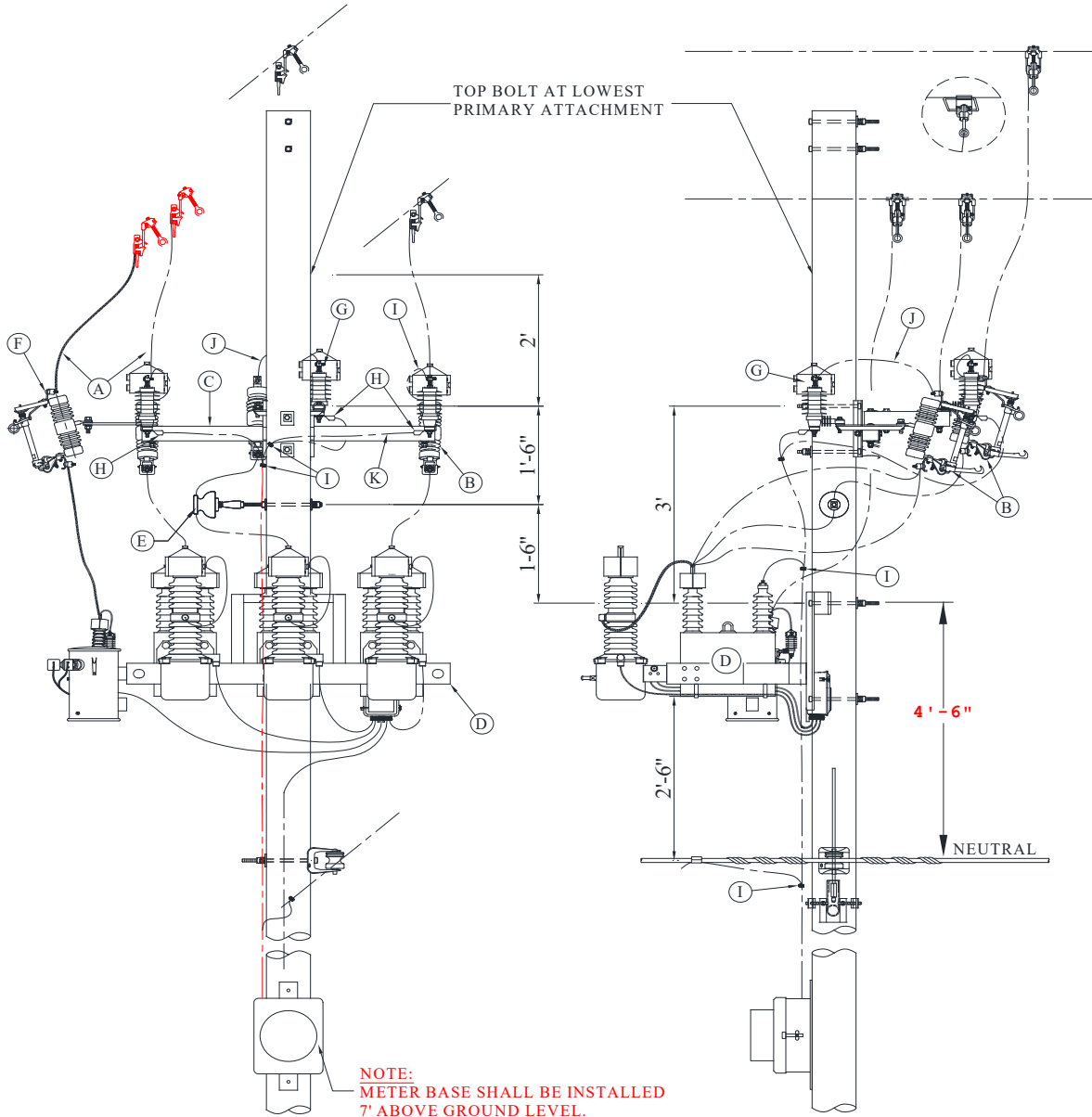
	CU-REF	CU-DESCRIPTION	QTY	MU-REF
1/0 N	11192011	GRD WOOD POLE W/GRD ROD SS #2-1/0N	1	ALL GROUPS
	11192016	GRD WOOD POLE W/GRD ROD RS #2-1/0N	1	ALL GROUPS
4/0 N	11192012	GRD WOOD POLE W/GRD ROD SS #2-4/0N	1	ALL GROUPS
	11192017	GRD WOOD POLE W/GRD ROD RS #2-4/0N	1	ALL GROUPS

POLE APPARATUS
CAPACITOR BANKS

CAPACITOR BANK - 3PH 1200 SWITCHED ASSEMBLIES



Rev: 08/01/20



NOTE:
METER BASE SHALL BE INSTALLED
7' ABOVE GROUND LEVEL.

NOTE: REPLACE EXISTING POLE GROUNDS W. #2 TINNED CU

- 1349-55-10 1/0 PRIMARY / 1/0 NEUTRAL
- 1349-55-20 4/0 PRIMARY / 4/0 NEUTRAL
- 1349-55-30 336 PRIMARY / 1/0 NEUTRAL
- 1349-55-40 795 PRIMARY / 1/0 NEUTRAL
- 1349-55-50 795 PRIMARY / 4/0 NEUTRAL
- 1349-55-60 #6 TO 4/0 CU PRIMARY / 1/0 NEUTRAL

