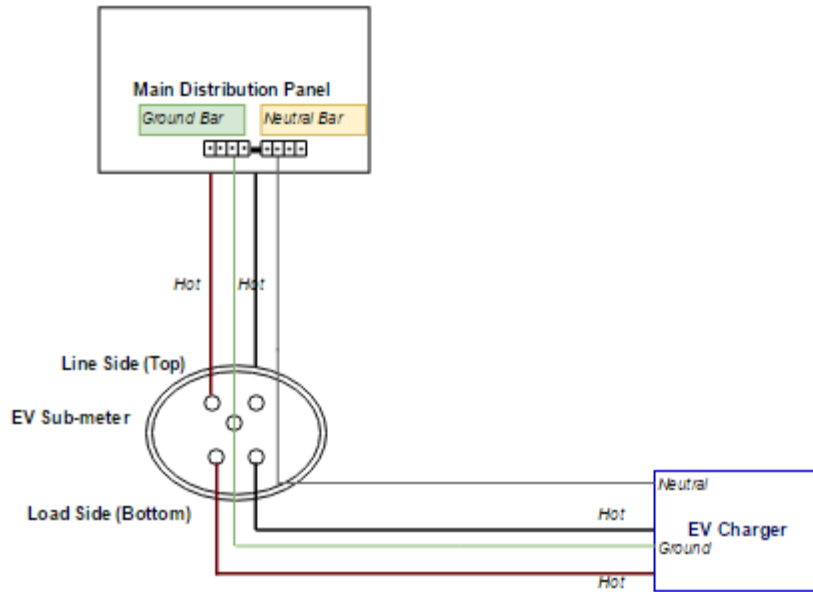


## EV360 Meter Socket Connection Diagram

The conductors from the panel terminate on the line side of the meter socket.



The conductors from the charger terminate on the load side of the meter socket.

- Black Wire = Hot
- Red Wire = Hot
- Green Wire = Ground
- White/Grey Wire = Neutral