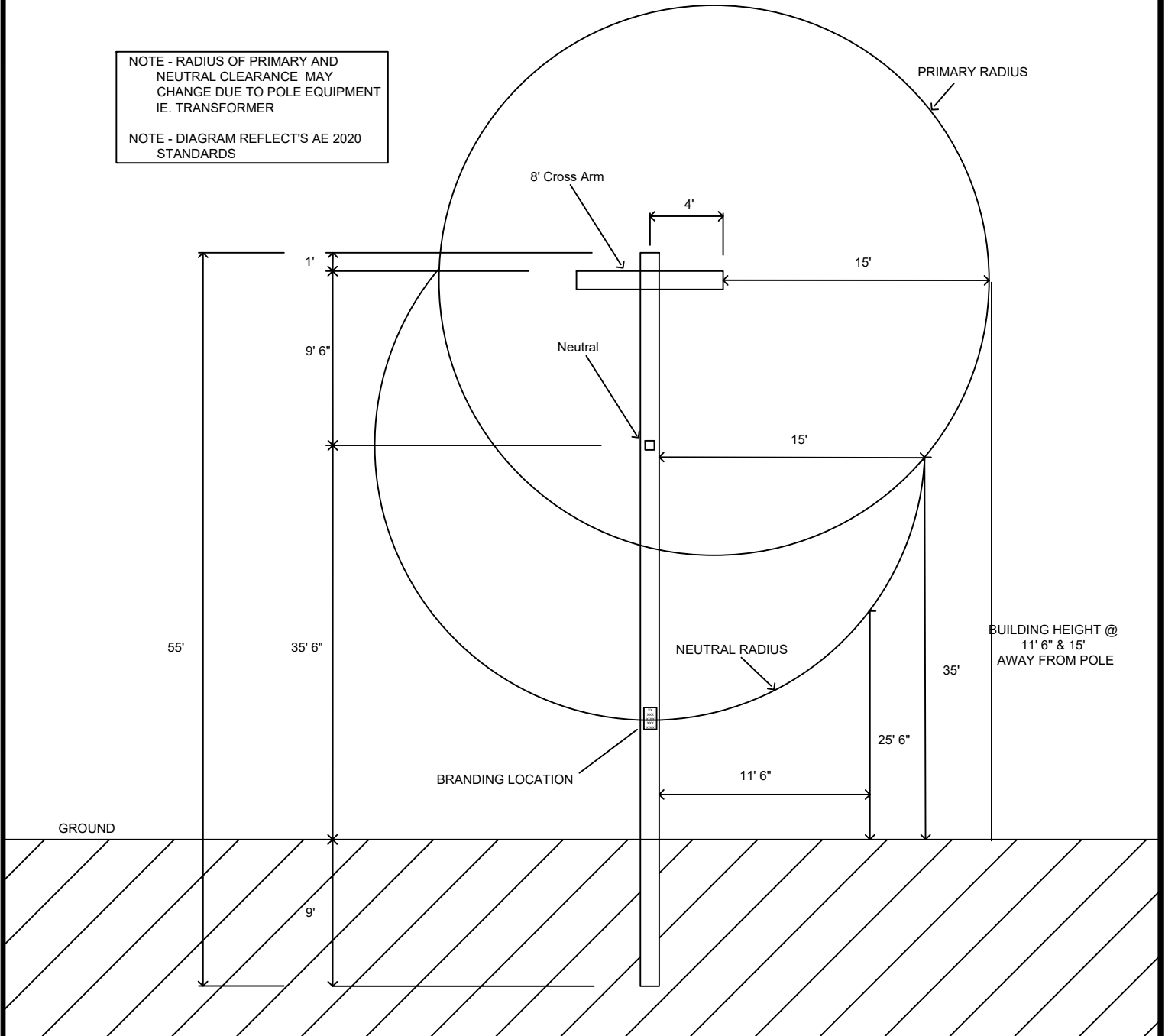


55' POLE

NOTE - RADIUS OF PRIMARY AND NEUTRAL CLEARANCE MAY CHANGE DUE TO POLE EQUIPMENT IE. TRANSFORMER

NOTE - DIAGRAM REFLECT'S AE 2020 STANDARDS



BEFORE YOU DIG
TO LOCATE UTILITIES
CALL 1-800-344-8377 (DIG TESS)



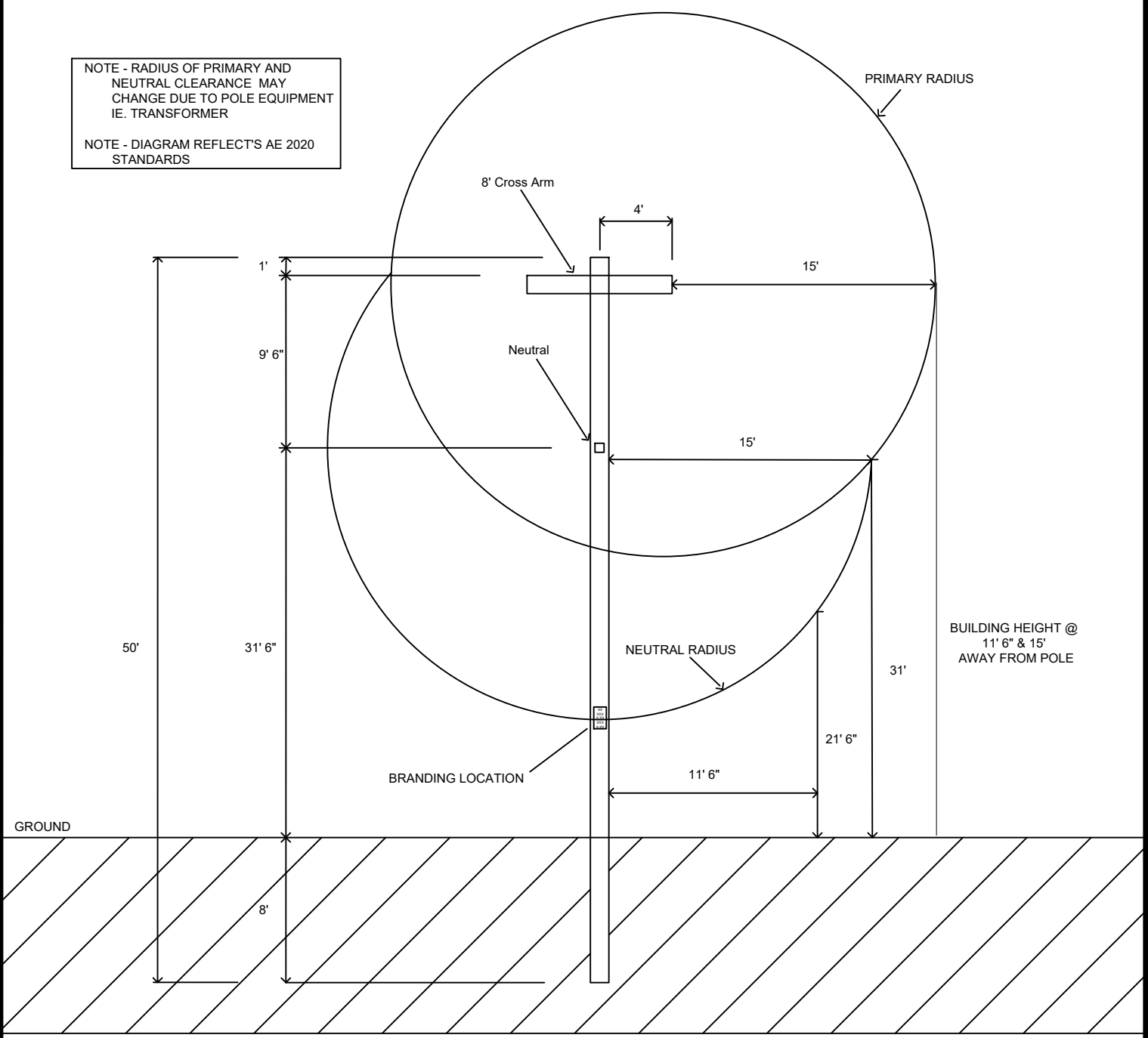
TYPICAL 2&3 PHASE LINE BUILDING CLEARANCE FROM NEAREST ENERGIZED EQUIPMENT

SCALE - NTS
DATE - 6-15-2021

50' POLE

NOTE - RADIUS OF PRIMARY AND NEUTRAL CLEARANCE MAY CHANGE DUE TO POLE EQUIPMENT IE. TRANSFORMER

NOTE - DIAGRAM REFLECTS AE 2020 STANDARDS



BEFORE YOU DIG
TO LOCATE UTILITIES
CALL 1-800-344-8377 (DIG TESS)



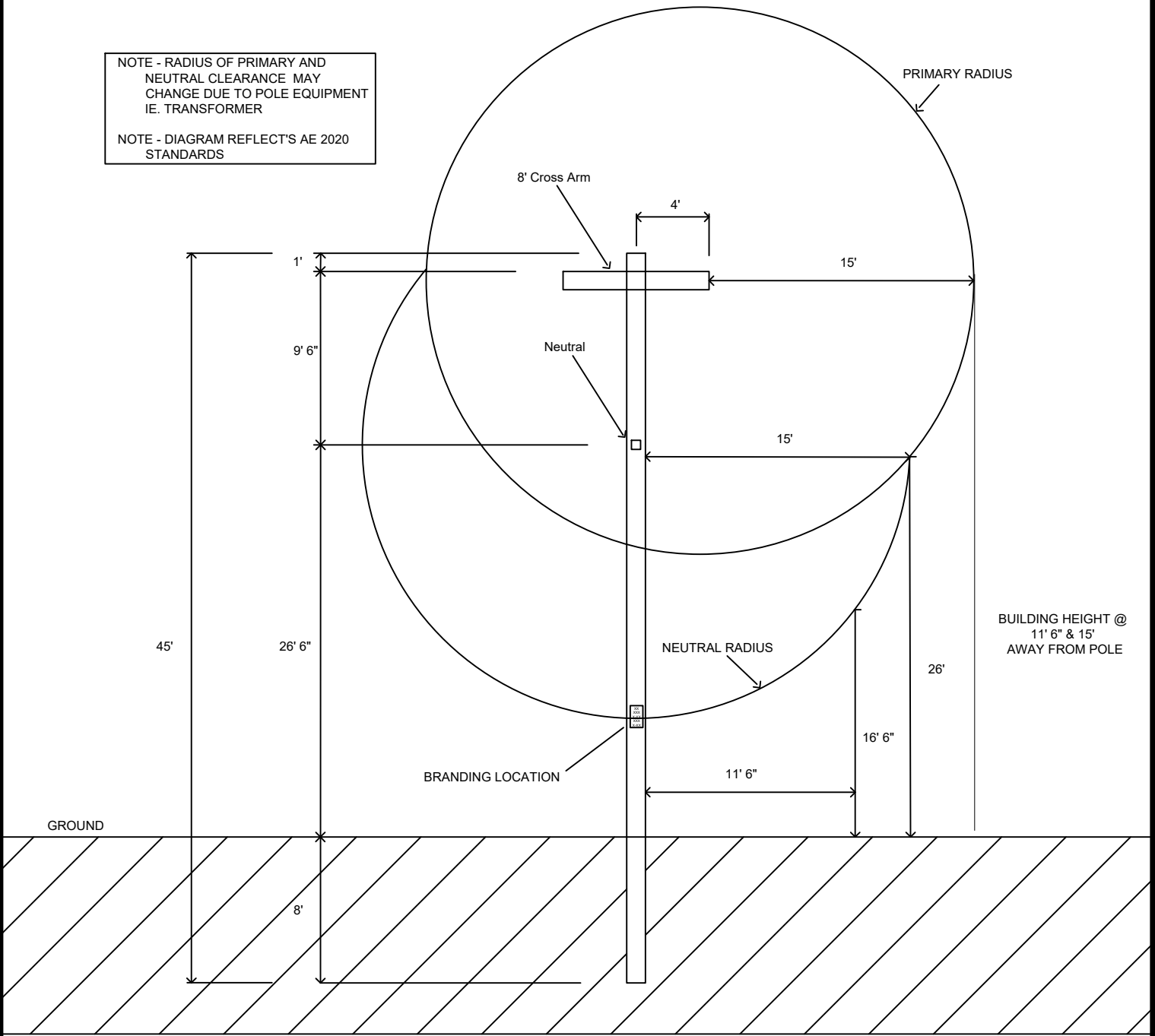
TYPICAL 2&3 PHASE LINE BUILDING
CLEARANCE FROM NEAREST
ENERGIZED EQUIPMENT

SCALE - NTS
DATE - 6-15-2021

45' POLE

NOTE - RADIUS OF PRIMARY AND NEUTRAL CLEARANCE MAY CHANGE DUE TO POLE EQUIPMENT IE. TRANSFORMER

NOTE - DIAGRAM REFLECTS AE 2020 STANDARDS



BEFORE YOU DIG
TO LOCATE UTILITIES
CALL 1-800-344-8377 (DIG TESS)



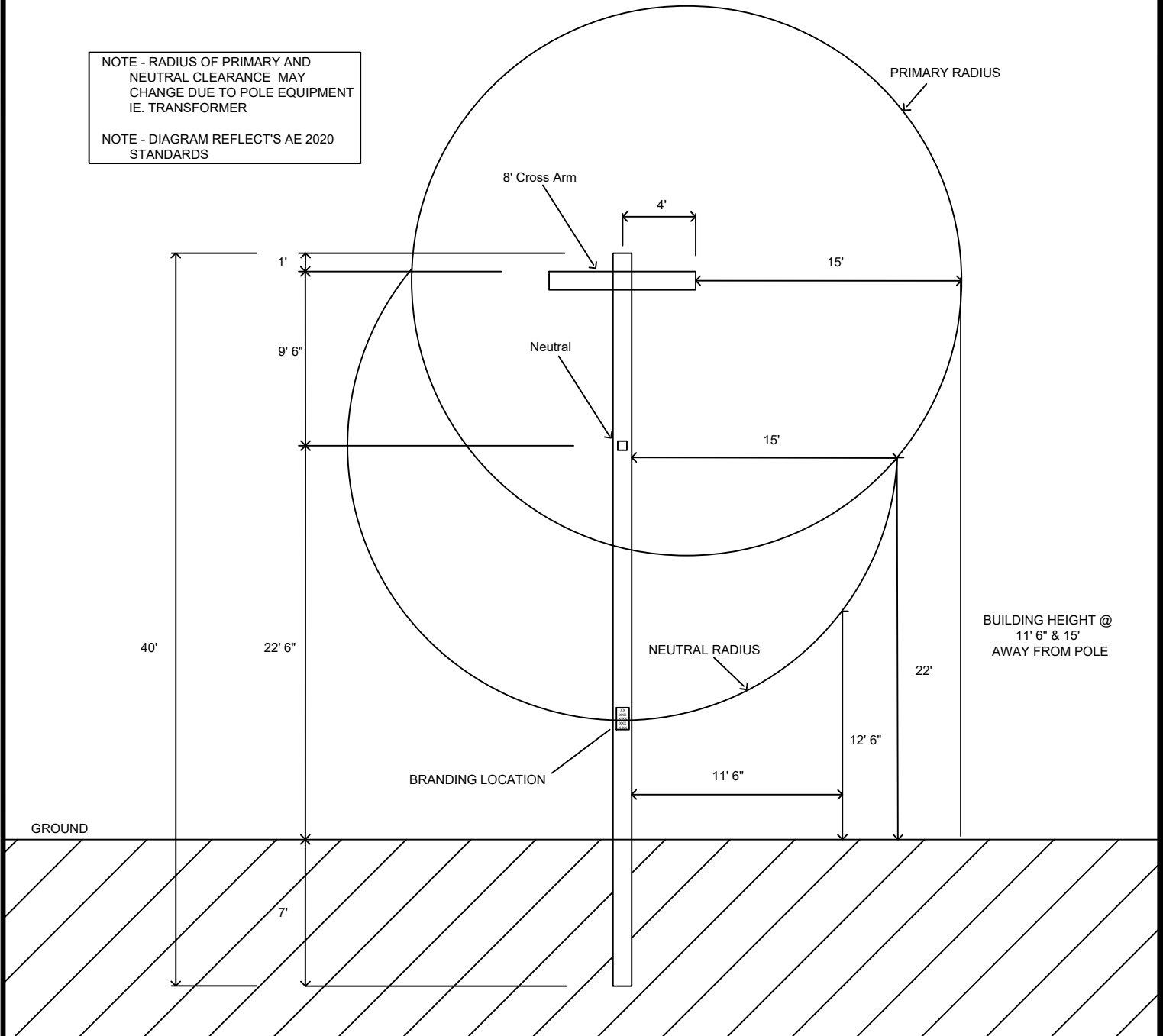
TYPICAL 2&3 PHASE LINE BUILDING CLEARANCE FROM NEAREST ENERGIZED EQUIPMENT

SCALE - NTS
DATE - 6-15-2021

40' POLE

NOTE - RADIUS OF PRIMARY AND NEUTRAL CLEARANCE MAY CHANGE DUE TO POLE EQUIPMENT IE. TRANSFORMER

NOTE - DIAGRAM REFLECTS AE 2020 STANDARDS



BEFORE YOU DIG
TO LOCATE UTILITIES
CALL 1-800-344-8377 (DIG TESS)



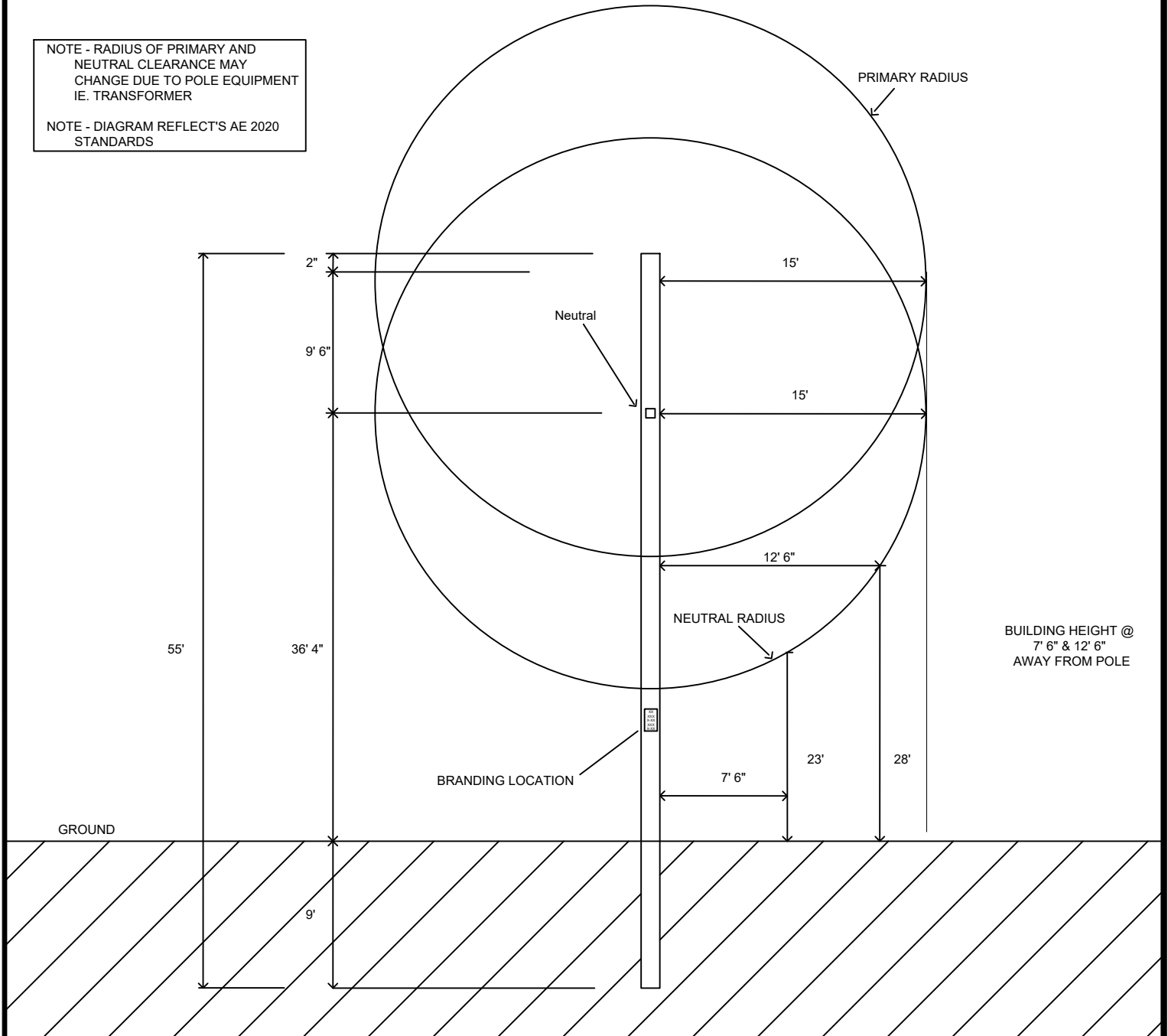
TYPICAL 2&3 PHASE LINE BUILDING
CLEARANCE FROM NEAREST
ENERGIZED EQUIPMENT

SCALE - NTS
DATE - 6-15-2021

55' POLE

NOTE - RADIUS OF PRIMARY AND NEUTRAL CLEARANCE MAY CHANGE DUE TO POLE EQUIPMENT IE. TRANSFORMER

NOTE - DIAGRAM REFLECTS AE 2020 STANDARDS



BUILDING HEIGHT @
7' 6" & 12' 6"
AWAY FROM POLE

BEFORE YOU DIG
TO LOCATE UTILITIES
CALL 1-800-344-8377 (DIG TESS)



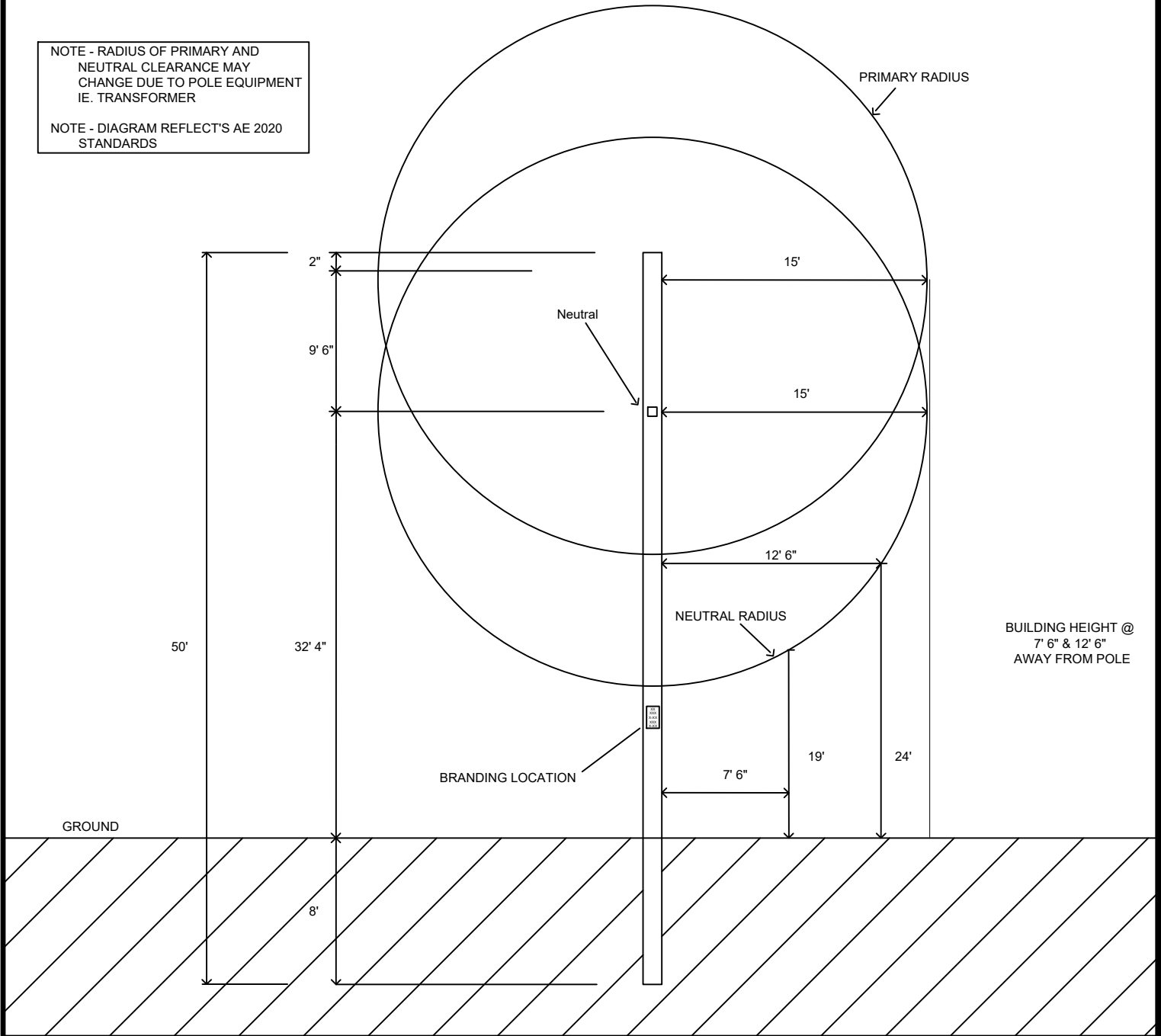
TYPICAL SINGLE PHASE LINE BUILDING
CLEARANCE FROM NEAREST
ENERGIZED EQUIPMENT

SCALE - NTS
DATE - 6-15-2021

50' POLE

NOTE - RADIUS OF PRIMARY AND NEUTRAL CLEARANCE MAY CHANGE DUE TO POLE EQUIPMENT IE. TRANSFORMER

NOTE - DIAGRAM REFLECTS AE 2020 STANDARDS



BEFORE YOU DIG
TO LOCATE UTILITIES
CALL 1-800-344-8377 (DIG TESS)



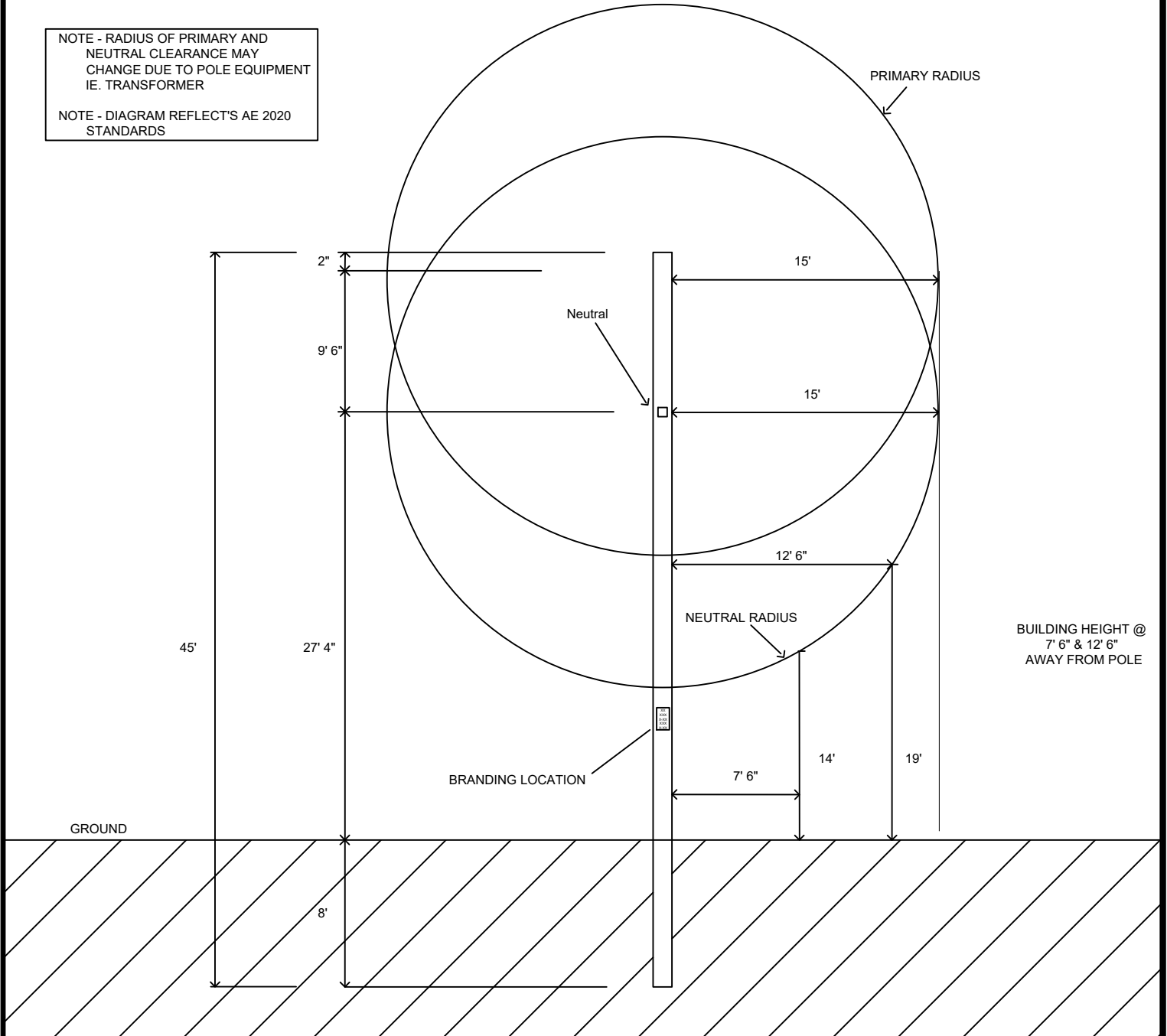
TYPICAL SINGLE PHASE LINE BUILDING
CLEARANCE FROM NEAREST
ENERGIZED EQUIPMENT

SCALE - NTS
DATE - 6-15-2021

45' POLE

NOTE - RADIUS OF PRIMARY AND NEUTRAL CLEARANCE MAY CHANGE DUE TO POLE EQUIPMENT I.E. TRANSFORMER

NOTE - DIAGRAM REFLECTS AE 2020 STANDARDS



BEFORE YOU DIG
TO LOCATE UTILITIES
CALL 1-800-344-8377 (DIG TESS)



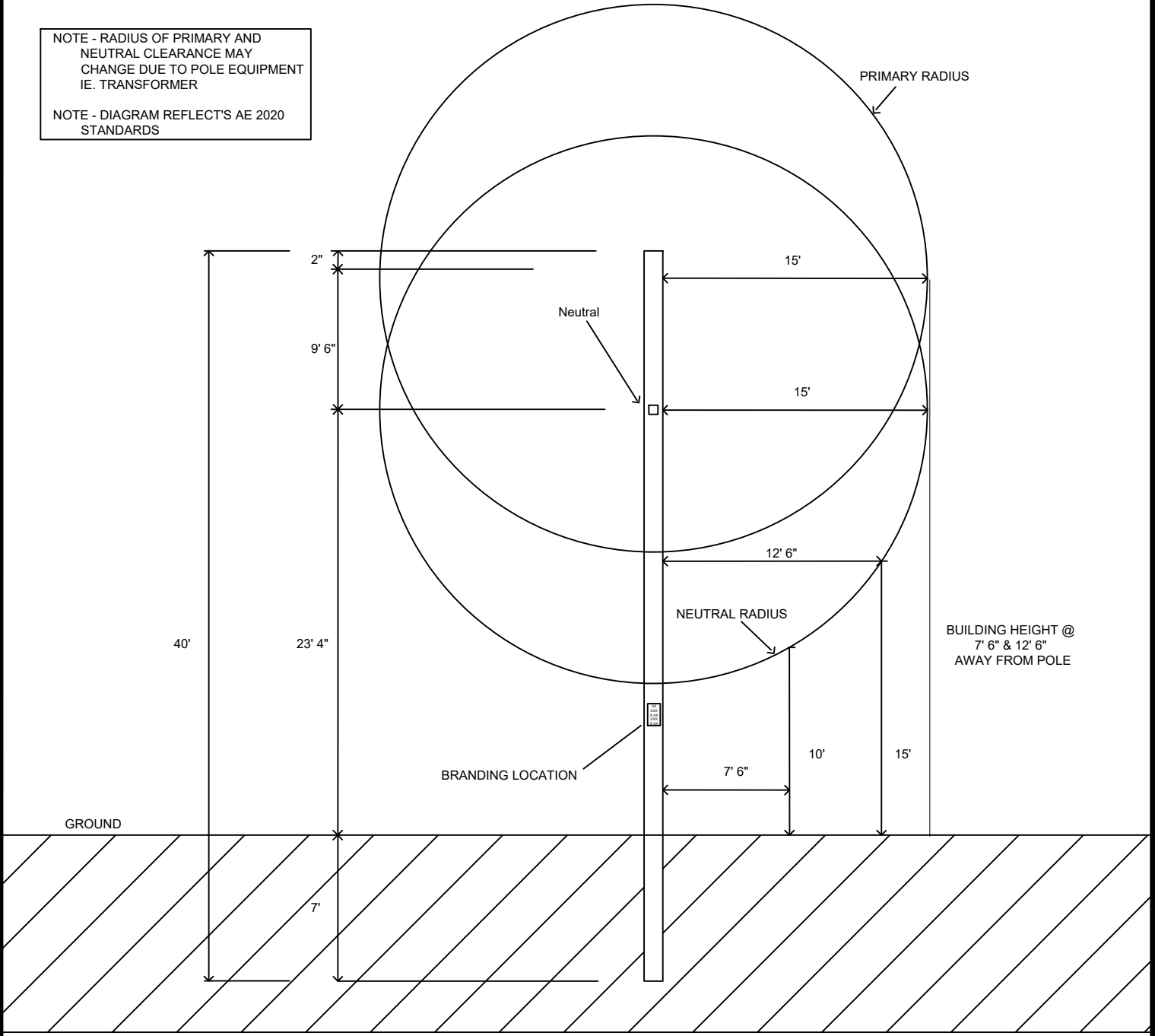
TYPICAL SINGLE PHASE LINE BUILDING CLEARANCE FROM NEAREST ENERGIZED EQUIPMENT

SCALE - NTS
DATE - 6-15-2021

40' POLE

NOTE - RADIUS OF PRIMARY AND NEUTRAL CLEARANCE MAY CHANGE DUE TO POLE EQUIPMENT IE. TRANSFORMER

NOTE - DIAGRAM REFLECTS AE 2020 STANDARDS



BEFORE YOU DIG
TO LOCATE UTILITIES
CALL 1-800-344-8377 (DIG TESS)



TYPICAL SINGLE PHASE LINE BUILDING CLEARANCE FROM NEAREST ENERGIZED EQUIPMENT

SCALE - NTS
DATE - 6-15-2021