
 Rev: 07/01/2020	CIVIL CONDUIT	1418
		Sheet 1 of 1

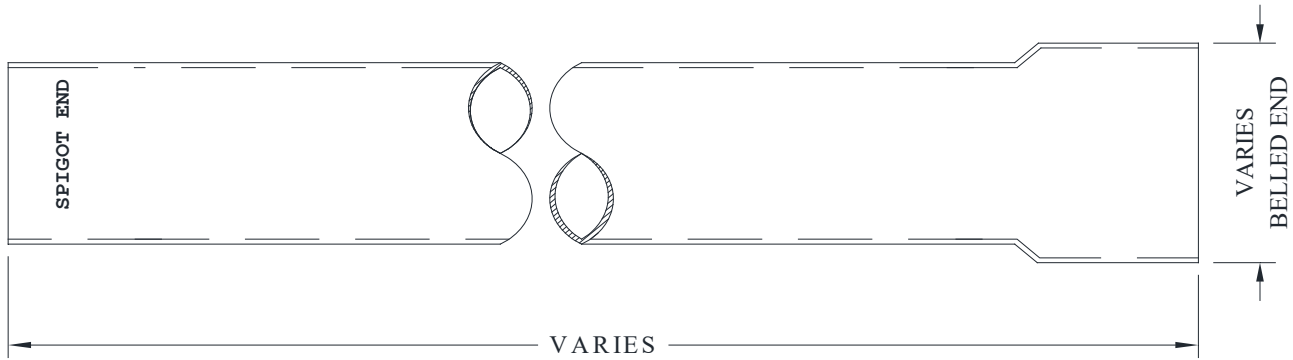
1418

CONDUIT

CONTAINS

- 1418-00 CONDUIT PVC & GALVANIZED STEEL**
- 1418-02 CONDUIT COUPLINGS & REDUCERS**
- 1418-05 CONDUIT PLUGS, CAPS & BELL ENDS**
- 1418-10 CONDUIT SPACERS**
- 1418-11 CONDUIT SLEEVE AND MULE TAPE**
- 1418-19 CONDUIT BEND 90 & 45 DEGREE RADIUS**
- 1418-21 CONDUIT BEND 22.5 DEGREE RADIUS**
- 1418-22 CONDUIT BEND 45 DEGREE RADIUS**
- 1418-23 CONDUIT BEND 90 DEGREE RADIUS**

1418-00	CIVIL	
Sheet 1 of 3	CONDUIT	
	CONDUIT PVC AND GALVANIZED STEEL	Rev: 07/01/2020



1418-00-32 SCH 40 PVC 2"	1418-00-71 GALV IRON 1" 10FT
1418-00-33 SCH 40 PVC 3"	1418-00-72 GALV IRON 2" 10FT
1418-00-34 SCH 40 PVC 4"	1418-00-73 GALV IRON 3" 10FT
	1418-00-74 GALV IRON 4" 10FT
1418-00-62 SCH 80 PVC 2"	1418-00-75 GALV IRON 5" 10FT
1418-00-63 SCH 80 PVC 3"	
1418-00-64 SCH 80 PVC 4"	
1418-00-65 SCH 80 PVC 5"	

* DIRECT-BURIED (DB) CONDUITS MAY BE USED IN RESIDENTIAL URD INSTALLATIONS FOR PRIMARY, SECONDARY AND SERVICE CONDUITS. THEY MAY ALSO BE USED FOR COMMERCIAL INSTALLATIONS WITH A 2-IN. RED CONCRETE CAP.

*USE 2-IN. RED CONCRETE CAP WHEN YOU CANNOT SET IN FULL IF REQUIRED FOR SHALLOW DEPTHS.

* ALWAYS USE TYPE PVC SCHEDULE 40 FOR ALL STREET CROSSINGS IN DB AND CONCRETE-CAPPED INSTALLATIONS.

* USE ENCASED-BURIED (EB) CONDUIT FOR INSTALLATIONS REQUIRING CONCRETE ENCASEMENTS.

* ALWAYS CONCRETE-ENCASE 5-IN. AND 6-IN. CONDUITS.

* USE TYPE PVC SCHEDULE 40 FOR ALL PVC CONDUIT BENDS, CONNECTORS AND TERMINATIONS.


* MAINTAIN ROUNDNESS OF CONDUIT AT ALL TIMES AND VERIFY AFTER INSTALLATION BY MANDRELLING.

* DO NOT HEAT-BEND CONDUIT. STRAIGHT CONDUIT LENGTHS MAY BE COLD-BENT IN THE TRENCH IF THE RADIUS IS NOT LESS THAN 12.5 FT. FOR 2-IN. CONDUIT AND 65 FT. FOR CONDUITS 3-IN. OR LARGER IN DIAMETER.

* PRIME AND CEMENT-WELD CONDUIT JOINTS. PRIMER AND CEMENT SHALL COMPLY WITH ASTM F656 AND ASTM D2565 RESPECTIVELY.

* SURROUND DB CONDUIT WITH SAND OR BACKFILL MATERIAL CAPABLE OF PASSING THROUGH A 1/2-IN. SLEEVE. GRAVEL CONTENT IN BACKFILL MIX SHALL NOT BE MORE THAN 50% IN VOLUME. TO AVOID DAMAGE TO DB ELECTRICAL CONDUIT, GRADE BOTTOM OF TRENCH SMOOTH. TOP DB CONDUIT WITH 6-IN. (AFTER COMPACTION) OF THE SAME BASE MATERIAL. ACCEPTIBLE BASE MATERIAL FOR DB INSTALLATIONS IS SAND, SANDY LOAM, NATIVE MATERIAL, OR A COMBINATION THEREOF. THE BACKFILL MATERIAL ABOVE THE 6-IN. LAYER SPECIFIED ABOVE SHALL BE FREE OF ROCKS LARGER THAT 6-IN. IN ANY DIMENSION.

* SEE PAGE 1419-20 FOR CONCRETE BACKFILL MIXTURES.

1418-00	CIVIL	
Sheet 3 of 3	CONDUIT	
	CONDUIT PVC AND GALVANIZED STEEL	
		Rev: 07/01/2020

CU-ID	CU-REF	CU-DESCRIPTION
--------------	---------------	-----------------------

CNDT80PVC2IN101BE	14180062	COND 2 PVC SCH 80, 10' SEC W/BE
-------------------	----------	---------------------------------

ID	PART NUM	PART DESC	QTY		CU-REF
1	0000001113	CONDUIT PVC 2 IN SCHED 80 10 FT W/ONE BELL END	10	FT	14180062

CNDT80PVC3IN101BE	14180063	COND 3 PVC SCH 80, 10' SEC W/BE
-------------------	----------	---------------------------------

ID	PART NUM	PART DESC	QTY		CU-REF
1	0000001114	CONDUIT PVC 3 IN SCHED 80 10 FT W/ONE BELL END	10	FT	14180063

CNDT80PVC4IN101BE	14180064	COND 4" PVC SCH 80, 10' SEC W/BE
-------------------	----------	----------------------------------

ID	PART NUM	PART DESC	QTY		CU-REF
1	0000001115	CONDUIT PVC 4 IN SCHED 80 10 FT W/ONE BELL END	10	FT	14180064

CNDT80PVC5IN101BE	14180065	COND 5" PVC SCH 80, 10' SEC W/BE
-------------------	----------	----------------------------------

ID	PART NUM	PART DESC	QTY		CU-REF
1	0000001116	CONDUIT PVC 5 IN SCHED 80 10 FT W/ONE BELL END	10	EA	14180065

CNDTGALVIRON1IN10	14180071	COND GALV IRON 1" 10' LENGTH
-------------------	----------	------------------------------

ID	PART NUM	PART DESC	QTY		CU-REF
1	0000005472	CONDUIT GALV IRON 1 IN 10 FT LENGTH EL196	1	FT	14180071

CNDTGALVIRON2IN10	14180072	COND GALV IRON 2", 10' LENGTH
-------------------	----------	-------------------------------

ID	PART NUM	PART DESC	QTY		CU-REF
1	0000005475	CONDUIT GALV IRON 2 IN 10 FT LENGTH EL-196	1	EA	14180072

CNDTGALVIRON3IN10	14180073	COND GALV IRON 3", 10' LENGTH
-------------------	----------	-------------------------------


ID	PART NUM	PART DESC	QTY		CU-REF
1	0000005476	CONDUIT GALV IRON 3 IN 10 FT LENGTH EL196	1	FT	14180073

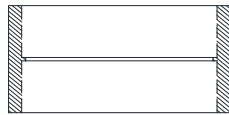
CNDTGALVIRON4IN10	14180074	COND GALV IRON 4", 10' LENGTH
-------------------	----------	-------------------------------

ID	PART NUM	PART DESC	QTY		CU-REF
1	0000005477	CONDUIT GALV IRON 4 IN 10 FT LENGTH EL196	1	FT	14180074

CNDTGALVIRON5IN10	14180075	COND GALV IRON 5", 10' LENGTH
-------------------	----------	-------------------------------

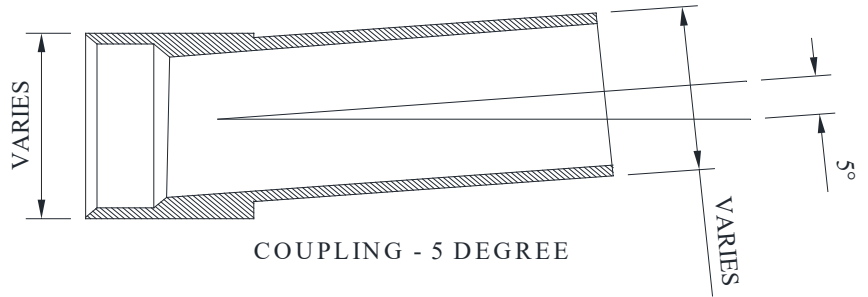
ID	PART NUM	PART DESC	QTY		CU-REF
1	0000005478	CONDUIT GALV IRON 5 IN 10 FT LENGTH EL196	1	EA	14180075

	CIVIL CONDUIT	1418-02
	CONDUIT COUPLINGS AND REDUCERS SCHEDULE 40	Sheet 1 of 3
Rev: 07/01/2020		



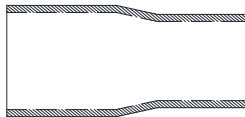
COUPLING

- 1418-02-42
- 1418-02-43
- 1418-02-44
- 1418-02-45



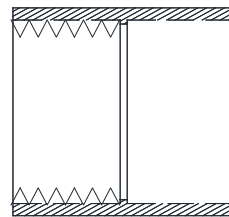
COUPLING - 5 DEGREE

- 1418-02-52
- 1418-02-53
- 1418-02-54
- 1418-02-55



REDUCER

- 1418-02-62



COUPLING - PVC TO RIGID

- 1418-02-72
- 1418-02-73
- 1418-02-74
- 1418-02-75

MAINTAIN ROUNDNESS OF CONDUIT AT ALL TIMES AND VERIFY AFTER INSTALLATION BY MANDRELLING.

DO NOT HEAT-BEND CONDUIT. STRAIGHT CONDUIT LENGTHS MAY BE COLD-BENT IN THE TRENCH IF THE RADIUS IS NOT LESS THAN 12.5 FT. FOR 2-IN. CONDUIT AND 65 FT. FOR CONDUITS 3-IN. OR LARGER IN DIAMETER.

PRIME AND CEMENT-WELD CONDUIT JOINTS. PRIMER AND CEMENT SHALL COMPLY WITH ASTM F656 AND ASTM D2565 RESPECTIVELY.

FOR 4" AND 5', MAINTAIN BY MANDRELLING.

CU

CU-ID	CU-REF	CU-DESCRIPTION
--------------	---------------	-----------------------

COU2IN40PVC 14180242 COUPLING 2" PVC SCH 40

ID	PART NUM	PART DESC	QTY		CU-REF
1	0000006790	COUPLING PVC CONDUIT 2 IN SCH 40	1	EA	14180242

COU3IN40PVC 14180243 COUPLING 3" PVC SCH 40

ID	PART NUM	PART DESC	QTY		CU-REF
1	0000006791	COUPLING PVC CONDUIT 3 IN SCH 40	1	EA	14180243

COU4IN40PVC 14180244 COUPLING 4" PVC SCH 40

ID	PART NUM	PART DESC	QTY		CU-REF
1	0000006792	COUPLING PVC CONDUIT 4 IN SCH 40	1	EA	14180244

COU5IN40PVC 14180245 COUPLING 5" PVC SCH 40

ID	PART NUM	PART DESC	QTY		CU-REF
1	0000006793	COUPLING PVC CONDUIT 5 IN	1	EA	14180245

COU5DEG2INPVC40 14180252 COUPLING 5-DEG ANGLE 2" PVC SCH 40

ID	PART NUM	PART DESC	QTY		CU-REF
1	0000001254	COUPLING CONDUIT PVC SCHED 40 5 DEG 2 IN	1	EA	14180252

COU5DEG3INPVC40 14180253 COUPLING 5-DEG ANGLE 3" PVC SCH 40

ID	PART NUM	PART DESC	QTY		CU-REF
1	0000001255	COUPLING CONDUIT PVC SCHED 40 5 DEG 3 IN	1	EA	14180253

COU5DEG4INPVC40 14180254 COUPLING 5-DEG ANGLE 4" PVC SCH 40

ID	PART NUM	PART DESC	QTY		CU-REF
1	0000001256	COUPLING CONDUIT PVC SCHED 40 5 DEG 4 IN	1	EA	14180254


COU5DEG5INPVC40 14180255 COUPLING 5-DEG ANGLE 5" PVC SCH 40

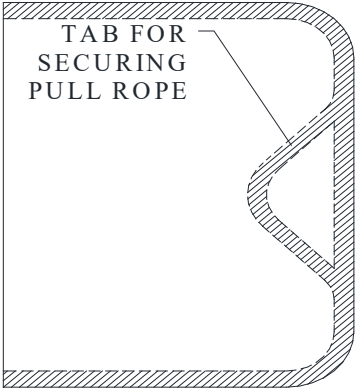
ID	PART NUM	PART DESC	QTY		CU-REF
1	0000001257	COUPLING CONDUIT PVC SCHED 40 5 DEG 5 IN	1	EA	14180255

CNDTPVC40RED3IN-2IN 14180262 REDUCER 3" TO 2" PVC SCH 40

ID	PART NUM	PART DESC	QTY		CU-REF
1	0000001337	REDUCER CONDUIT PVC SCHED 40 3 IN TO 2 IN	1	EA	14180262

ID	PART NUM	PART DESC	QTY		CU-REF
----	----------	-----------	-----	--	--------

1418-05	CIVIL	
Sheet 1 of 3	CONDUIT	Rev: 07/01/2020
	CONDUIT PLUGS, CAPS, AND BELL ENDS SCH 40	

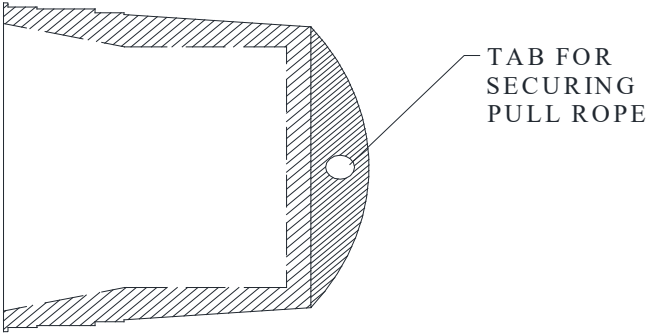


CAP PVC
1418-05-32
1418-05-33
1418-05-34
1418-05-35

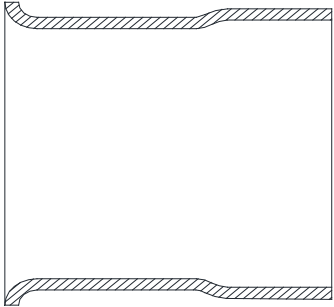
DO NOT USE REDUCERS WITHIN A CONDUIT RUN.

MAINTAIN ROUNDNESS OF CONDUIT AT ALL TIMES AND VERIFY AFTER INSTALLATION BY MANDRELLING.

PRIME AND CEMENT-WELD CONDUIT JOINTS. PRIMER AND CEMENT SHALL COMPLY WITH ASTM F656 AND ASTM D2565 RESPECTIVELY.



PLUG
1418-05-22
1418-05-23
1418-05-24
1418-05-25




BELL END
1418-05-42
1418-05-43
1418-05-44
1418-05-45

PLUG ALL UNUSED CONDUITS IN ANY SUBSTRUCTURE. PRIME AND CEMENT-WELD CONDUIT JOINTS. PRIMER AND CEMENT SHALL COMPLY WITH ASTM F656 AND ASTM D2565 RESPECTIVELY.

USE BELL ENDS ON ALL CONDUIT TERMINATIONS AT SUBSTRUCTURES TO FACILITATE INSTALLATION OF CABLE AND AVOID DAMAGE TO CABLES DURING PULLING.

PRIME AND CEMENT-WELD CONDUIT JOINTS. PRIMER AND CEMENT SHALL COMPLY WITH ASTM F656 AND ASTM D2565 RESPECTIVELY.

1418-05	CIVIL CONDUIT CONDUIT PLUGS, CAPS, AND BELL ENDS SCH 40	
Sheet 3 of 3		
		Rev: 07/01/2020

CU-ID	CU-REF	CU-DESCRIPTION
--------------	---------------	-----------------------

BELLEND40PVC2IN	14180542	BELL END 2" PVC SCH 40
-----------------	----------	------------------------

ID	PART NUM	PART DESC	QTY		CU-REF
1	0000006785	BELL END PVC CONDUIT 2 IN	1	EA	14180542

BELLEND40PVC3IN	14180543	BELL END 3" PVC SCH 40
-----------------	----------	------------------------

ID	PART NUM	PART DESC	QTY		CU-REF
1	0000006786	BELL END PVC CONDUIT 3 IN	1	EA	14180543

BELLEND40PVC4IN	14180544	BELL END 4" PVC SCH 40
-----------------	----------	------------------------

ID	PART NUM	PART DESC	QTY		CU-REF
1	0000006787	BELL END PVC CONDUIT 4 IN	1	EA	14180544

BELLEND40PVC5IN	14180545	BELL END 5" PVC SCH 40
-----------------	----------	------------------------

ID	PART NUM	PART DESC	QTY		CU-REF
1	0000006788	BELL END PVC CONDUIT 5 IN	1	EA	14180545

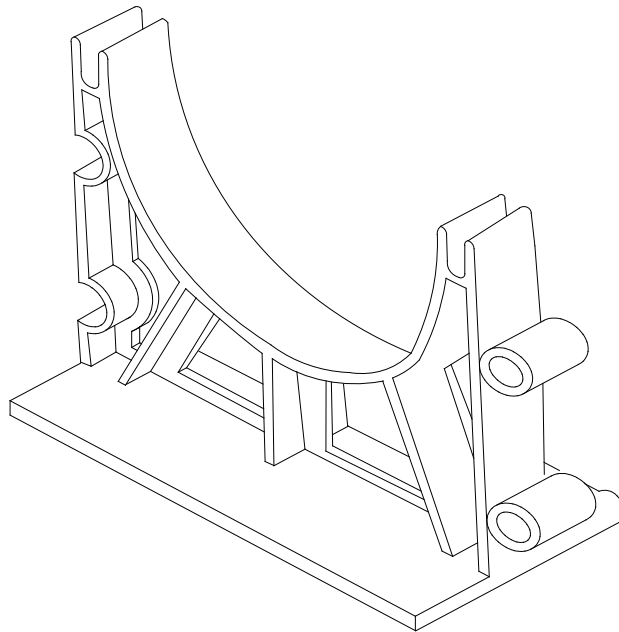


Rev: 07/01/2020

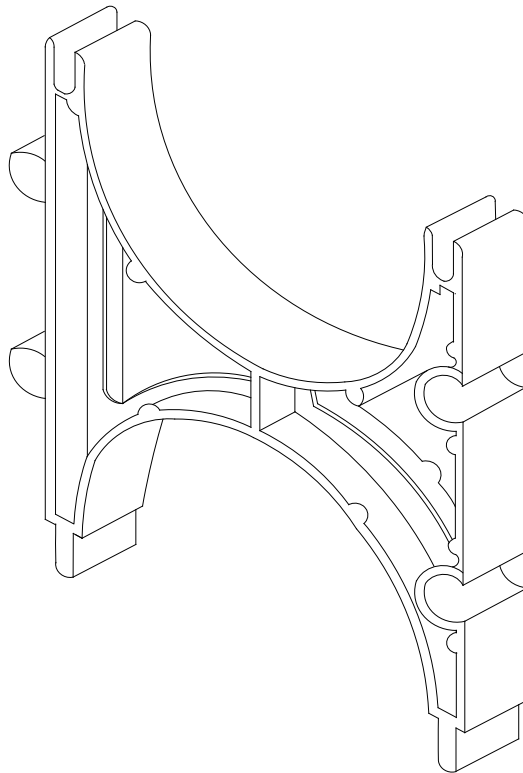
CIVIL
CONDUIT
CONDUIT SPACER

1418-10


Sheet 1 of 2



1418-10-21
1418-10-31
1418-10-41
1418-10-51



1418-10-22
1418-10-32
1418-10-42
1418-10-52

1418-10	CIVIL	
Sheet 2 of 2	CONDUIT	
	CONDUIT SPACER	
		Rev: 07/01/2020

CU

CU-ID	CU-REF	CU-DESCRIPTION
--------------	---------------	-----------------------

CNDTSPCB2IN 14181021 COND SPACER BASE 2"

ID	PART NUM	PART DESC	QTY	CU-REF
1	0000005249	SPACER BASE FOR 2IN CONDUIT W/2IN SEPARATION	1 EA	14181021

CNDTSPCINT2IN 14181022 COND SPACER INTERMD 2"

ID	PART NUM	PART DESC	QTY	CU-REF
1	0000005231	SPACER INTERMEDIATE FOR 2IN CONDUIT W/2IN SEPARATION	1 EA	14181022

CNDTSPCINT3IN 14181032 COND SPACER INTERMD 3"

ID	PART NUM	PART DESC	QTY	CU-REF
1	0000005232	SPACER INTERMEDIATE FOR 3IN CONDUIT W/2IN SEPARATION	1 EA	14181032

CNDTSPCB4IN 14181041 COND SPACER BASE 4"

ID	PART NUM	PART DESC	QTY	CU-REF
1	0000005245	SPACER BASE FOR 4IN CONDUIT W/2IN SEPARATION	1 EA	14181041

CNDTSPCINT4IN 14181042 COND SPACER INTERMD 4"

ID	PART NUM	PART DESC	QTY	CU-REF
1	0000005229	SPACER INTERMEDIATE FOR 4IN CONDUIT W/2IN SEPARATION	1 EA	14181042

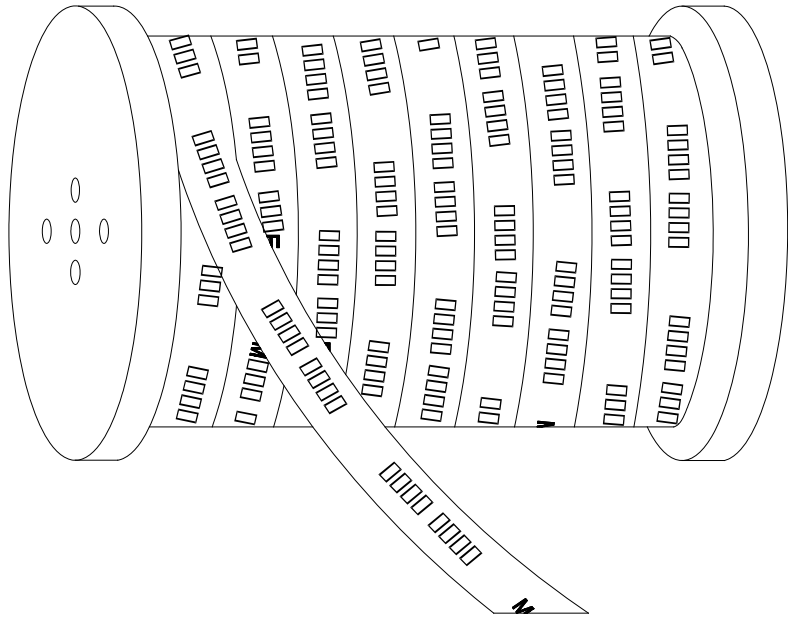
CNDTSPCB5IN 14181051 COND SPACER BASE 5"

ID	PART NUM	PART DESC	QTY	CU-REF
1	0000005247	SPACER BASE FOR 5IN CONDUIT W/2IN SEPARATION	1 EA	14181051

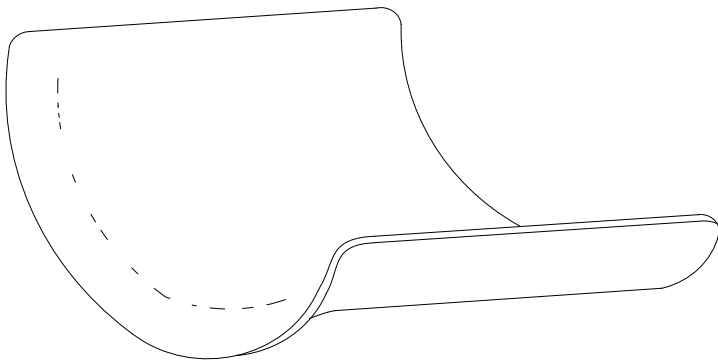
CNDTSPCINT5IN 14181052 COND SPACER INTERMD 5"

ID	PART NUM	PART DESC	QTY	CU-REF
1	0000005230	SPACER INTERMEDIATE FOR 5IN CONDUIT W/2IN SEPARATION	1 EA	14181052


**CIVIL
CONDUIT
CONDUIT SLEEVE AND MULE TAPE**



1418-11-05



1418-11-10

1418-11	CIVIL	
Sheet 2 of 2		
CONDUIT SLEEVE AND MULE TAPE		

CU


CU-ID CU-REF CU-DESCRIPTION

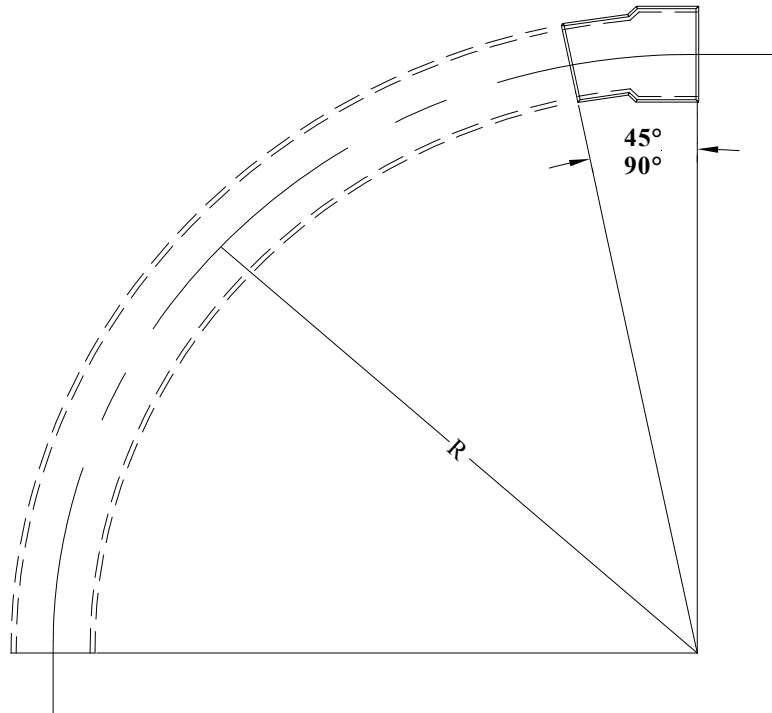
MULETAPE 14181105 MULETAPE POLY FLAT WOVEN LUB W/FT MARKIN

ID	PART NUM	PART DESC	QTY		CU-REF
1	0000019559	MULETAPE POLY FLAT WOVEN LUBRICATED WITH FOOTAGE MARKIN	1	EA	14181105

GARDSAVERVIRPL#LG-345 14181110 COND SLEEVE PROTECTOR CABLE 3-6"

ID	PART NUM	PART DESC	QTY		CU-REF
1	0000005908	GUARD CABLE SAVER DUCT VIRGINIA PLASTIC #LG-345	1	EA	14181110

 Rev: 07/01/2020	CIVIL CONDUIT CONDUIT BEND 9.5" AND 18" RADIUS PVC 40	1418-19 Sheet 1 of 2




- 1418-19-01 2IN 9.5 IN RADIUS 90 DEG
- 1418-19-04 2IN 18 IN RADIUS 45 DEG
- 1418-19-07 3IN 18 IN RADIUS 45 DEG
- 1418-19-13 2IN 18 IN RADIUS 90 DEG
- 1418-19-16 3IN 18 IN RADIUS 90 DEG

USE TYPE PVC SCHEDULE 40 FOR ALL PVC CONDUIT BENDS, CONNECTORS, AND TERMINATIONS EXCEPT FOR RISER BASE CONDUITS WHICH REQUIRE GALVANIZED.

MAINTAIN ROUNDNESS OF CONDUIT AT ALL TIMES AND VERIFY AFTER INSTALLATION BY MANDRELLING.

DO NOT HEAT-BEND CONDUIT. STRAIGHT CONDUIT LENGTHS MAY BE COLD-BENT IN THE TRENCH IF THE RADIUS IS NOT LESS THAN 12.5 FT. FOR 2-IN. CONDUIT AND 65 FT. FOR CONDUITS 3-IN. OR LARGER IN DIAMETER.

PRIME AND CEMENT-WELD CONDUIT JOINTS. PRIMER AND CEMENT SHALL COMPLY WITH ASTM F656 AND ASTM D2565 RESPECTIVELY.

	CIVIL CONDUIT	1418-19
	CONDUIT BEND 9.5" AND 18" RADIUS PVC 40	Sheet 2 of 2
Rev: 07/01/2020		

CU

CU-ID CU-REF CU-DESCRIPTION

BEND40PVC3IN11DEG-12FTR 14182036 COND BEND 11.25-DEG 3" PVC SCH 40,12.5'R


ID	PART NUM	PART DESC	QTY	CU-REF
1	0000001187	CONDUIT BEND PVC 3 IN SCHED 40 11.25 DEG R12.5 FT	1 EA	14182036

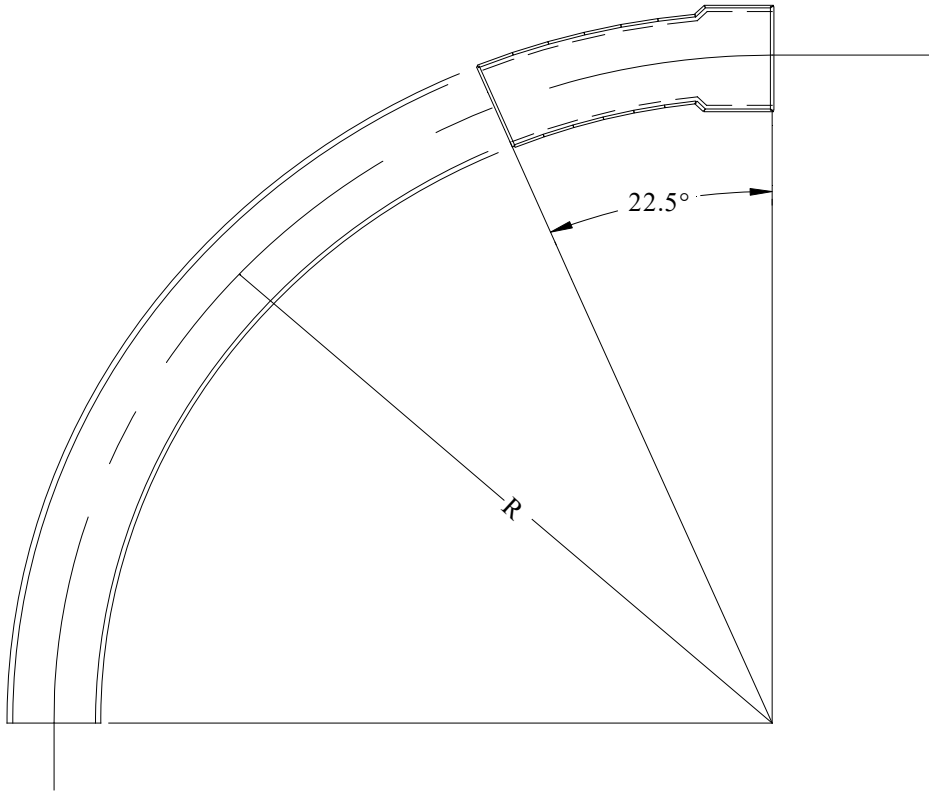
BEND40PVC4IN11DEG-12FTR 14182046 COND BEND 11.25-DEG 4" PVC SCH 40,12.5'R

ID	PART NUM	PART DESC	QTY	CU-REF
1	0000001188	CONDUIT BEND PVC 4 IN SCHED 40 11.25 DEG R12.5 FT	1 EA	14182046

BEND40PVC5IN11DEG-12FTR 14182056 COND BEND 11.25-DEG 5" PVC SCH 40,12.5'R

ID	PART NUM	PART DESC	QTY	CU-REF
1	0000001189	CONDUIT BEND PVC 5 IN SCHED 40 11.25 DEG R12.5 FT	1 EA	14182056

1418-21	CIVIL	
Sheet 1 of 2	CONDUIT	Rev: 07/01/2020
	CONDUIT BEND 22.5 DEGREE PVC 40	




- 1418-21-23 2 IN 36 IN RADIUS
- 1418-21-24 2 IN 48 IN RADIUS
- 1418-21-26 2 IN 12.5 FT RADIUS
- 1418-21-33 3 IN 36 IN RADIUS
- 1418-21-34 3 IN 48 IN RADIUS
- 1418-21-36 3 IN 12.5 FT RADIUS
- 1418-21-46 4 IN 12.5 FT RADIUS
- 1418-21-56 5 IN 12.5 FT RADIUS

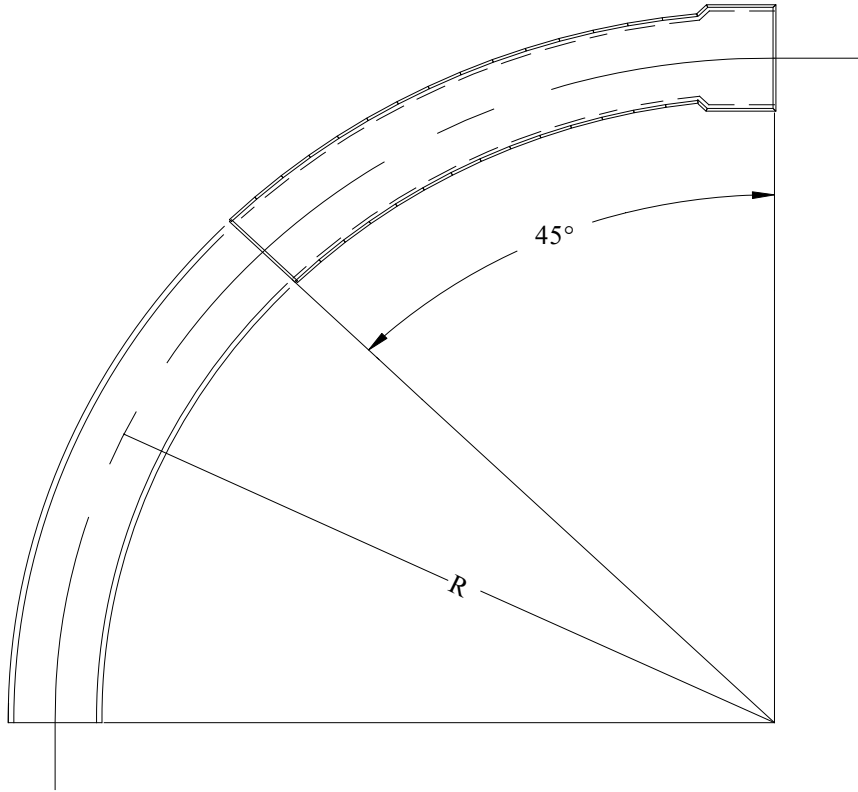
USE TYPE PVC SCHEDULE 40 FOR ALL PVC CONDUIT BENDS, CONNECTORS, AND TERMINATIONS EXCEPT FOR RISER BASE CONDUITS WHICH REQUIRE GALVANIZED.

MAINTAIN ROUNDNESS OF CONDUIT AT ALL TIMES AND VERIFY AFTER INSTALLATION BY MANDRELLING.

DO NOT HEAT-BEND CONDUIT. STRAIGHT CONDUIT LENGTHS MAY BE COLD-BENT IN THE TRENCH IF THE RADIUS IS NOT LESS THAN 12.5 FT. FOR 2-IN. CONDUIT AND 65 FT. FOR CONDUITS 3-IN. OR LARGER IN DIAMETER.

PRIME AND CEMENT-WELD CONDUIT JOINTS. PRIMER AND CEMENT SHALL COMPLY WITH ASTM F656 AND ASTM D2565 RESPECTIVELY.

1418-22	CIVIL	
Sheet 1 of 2	CONDUIT	Rev: 07/01/2020
	CONDUIT BEND 45 DEGREE PVC 40	




1418-22-23	2 IN 36 IN RADIUS
1418-22-24	2 IN 48 IN RADIUS
1418-22-26	2 IN 12.5 FT RADIUS
1418-22-33	3 IN 36 IN RADIUS
1418-22-34	3 IN 48 IN RADIUS
1418-22-36	3 IN 12.5 FT RADIUS
1418-22-44	4 IN 48 IN RADUIS
1418-22-46	4 IN 12.5 FT RADIUS
1418-22-56	5 IN 12.5 FT RADIUS

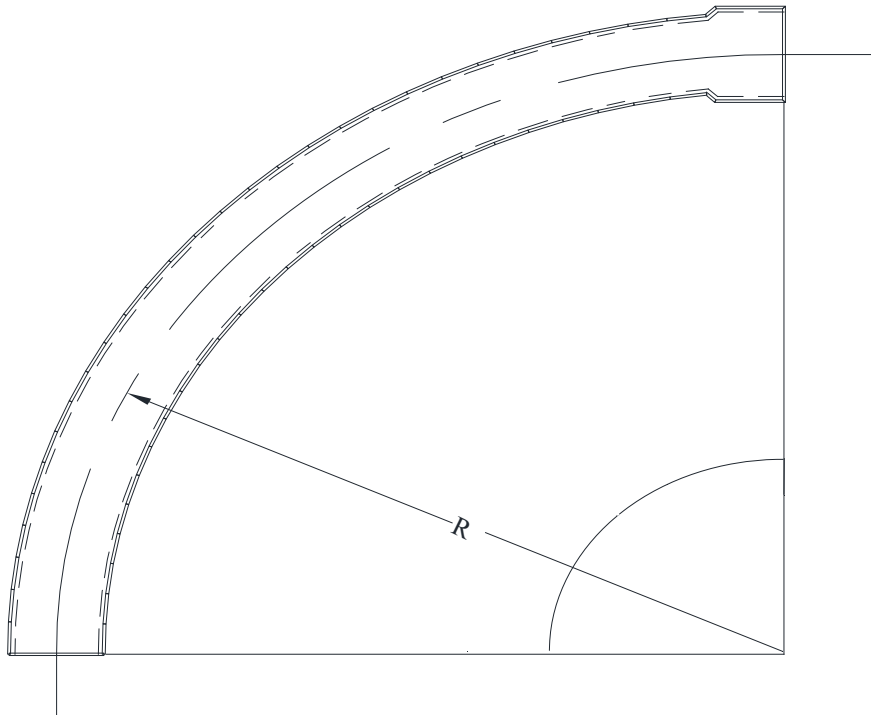
USE TYPE PVC SCHEDULE 40 FOR ALL PVC CONDUIT BENDS, CONNECTORS, AND TERMINATIONS EXCEPT FOR RISER BASE CONDUITS WHICH REQUIRE GALVANIZED.

MAINTAIN ROUNDNESS OF CONDUIT AT ALL TIMES AND VERIFY AFTER INSTALLATION BY MANDRELLING.

DO NOT HEAT-BEND CONDUIT. STRAIGHT CONDUIT LENGTHS MAY BE COLD-BENT IN THE TRENCH IF THE RADIUS IS NOT LESS THAN 12.5 FT. FOR 2-IN. CONDUIT AND 65 FT. FOR CONDUITS 3-IN. OR LARGER IN DIAMETER.

PRIME AND CEMENT-WELD CONDUIT JOINTS. PRIMER AND CEMENT SHALL COMPLY WITH ASTM F656 AND ASTM D2565 RESPECTIVELY.

1418-23	CIVIL	
Sheet 1 of 3	CONDUIT	Rev: 07/01/2020
CONDUIT BEND 90 DEGREE GALV AND SCH 40 PVC		



1418-23-12 2IN GALV 36" RAD
 1418-23-13 3IN GALV 36" RAD
 1418-23-14 4IN GALV 24" RAD
 1418-23-15 5IN GALV 24" RAD
 1418-23-23 2IN PVC 24" RAD
 1418-23-24 2IN PVC 48" RAD
 1418-23-26 2IN PVC 12.5' RAD
 1418-23-33 3IN PVC 24" RAD


1418-23-34 3IN PVC 36" RAD
 1418-23-36 3IN PVC 12.5' RAD
 1418-23-41 4IN PVC 24" RAD
 1418-23-43 4IN PVC 36" RAD
 1418-23-44 4IN PVC 48" RAD
 1418-23-46 4IN PVC 12.5' RAD
 1418-23-54 5IN PVC 36" RAD
 1418-23-56 5IN PVC 12.5' RAD

USE TYPE PVC SCHEDULE 40 FOR ALL PVC CONDUIT BENDS, CONNECTORS, AND TERMINATIONS EXCEPT FOR RISER BASE CONDUITS WHICH REQUIRE GALVANIZED.

MAINTAIN ROUNDNESS OF CONDUIT AT ALL TIMES AND VERIFY AFTER INSTALLATION BY MANDRELLING.

DO NOT HEAT-BEND CONDUIT. STRAIGHT CONDUIT LENGTHS MAY BE COLD-BENT IN THE TRENCH IF THE RADIUS IS NOT LESS THAN 12.5 FT. FOR 2-IN. CONDUIT AND 65 FT. FOR CONDUITS 3-IN. OR LARGER IN DIAMETER.

PRIME AND CEMENT-WELD CONDUIT JOINTS. PRIMER AND CEMENT SHALL COMPLY WITH ASTM F656 AND ASTM D2565 RESPECTIVELY.

1418-23	CIVIL	
Sheet 3 of 3	CONDUIT	
	CONDUIT BEND 90 DEGREE GALV AND SCH 40 PVC	
		Rev: 07/01/2020

CU-ID	CU-REF	CU-DESCRIPTION
--------------	---------------	-----------------------

BEN40PVC3IN90DEG-24INR 14182333 COND BEND, 90-DEG 3" PVC SCH 40, 24" R

ID	PART NUM	PART DESC	QTY		CU-REF
1	0000005265	ELBOW CONDUIT PVC 90 DEG R 24 IN 3 IN	1	EA	14182333

BEND40PVC3IN90DEG-36INR 14182334 COND BEND, 90-DEG 3" PVC SCH 40, 36" R

ID	PART NUM	PART DESC	QTY		CU-REF
1	0000001169	CONDUIT BEND PVC 3 IN SCHED 40 90 DEG R36 IN	1	EA	14182334

BEND40PVC3IN90DEG-12FTR 14182336 COND BEND, 90-DEG 3" PVC SCH 40, 12.5' R

ID	PART NUM	PART DESC	QTY		CU-REF
1	0000001168	CONDUIT BEND PVC 3 IN SCHED 40 90 DEG R12.5 FT	1	EA	14182336

BEND40PVC4IN90DEG-24INR 14182341 COND BEND, 90-DEG 4" PVC SCH 40, 24" R

ID	PART NUM	PART DESC	QTY		CU-REF
1	0000005266	ELBOW CONDUIT PVC 90 DEG R 24 IN 4 IN	1	EA	14182341

BEND80PVC4IN90DEG-36INR 14182343 COND BEND, 90-DEG 4" PVC SCH 80, 36" R

ID	PART NUM	PART DESC	QTY		CU-REF
1	0000001178	CONDUIT BEND PVC 4 IN SCHED 80 90 DEG R36 IN	1	EA	14182343

BEND40PVC4IN90DEG-48INR 14182344 COND BEND, 90-DEG 4" PVC SCH 40, 48" R

ID	PART NUM	PART DESC	QTY		CU-REF
1	0000001176	CONDUIT BEND PVC 4 IN SCHED 40 90 DEG R48 IN	1	EA	14182344

BEND40PVC4IN90DEG-12.5FTR 14182346 COND BEND, 90-DEG 4" PVC SCH 40, 12.5' R

ID	PART NUM	PART DESC	QTY		CU-REF
1	0000001175	CONDUIT BEND PVC 4 IN SCHED 40 90 DEG R12.5 FT	1	EA	14182346

BEND40PVC5IN90DEG-36INR 14182354 COND BEND, 90-DEG 5" PVC SCH 40, 36" R

ID	PART NUM	PART DESC	QTY		CU-REF
1	0000005267	ELBOW PVC CONDUIT 90 DEG R 36 IN 5 IN	1	EA	14182354

BEND40PVC5IN90DEG12.5FTR 14182356 COND BEND, 90-DEG 5" PVC SCH' 40, 12.5' R

ID	PART NUM	PART DESC	QTY		CU-REF
1	0000001179	CONDUIT BEND PVC 5 IN SCHED 40 90 DEG R12.5 FT	1	EA	14182356