


1135	POLES, HARDWARE, AND FRAMING	
Sheet 1 of 1	3PH XARM UNDERBUILD FRAMING 12FT	
Rev 07/01/20		

1135

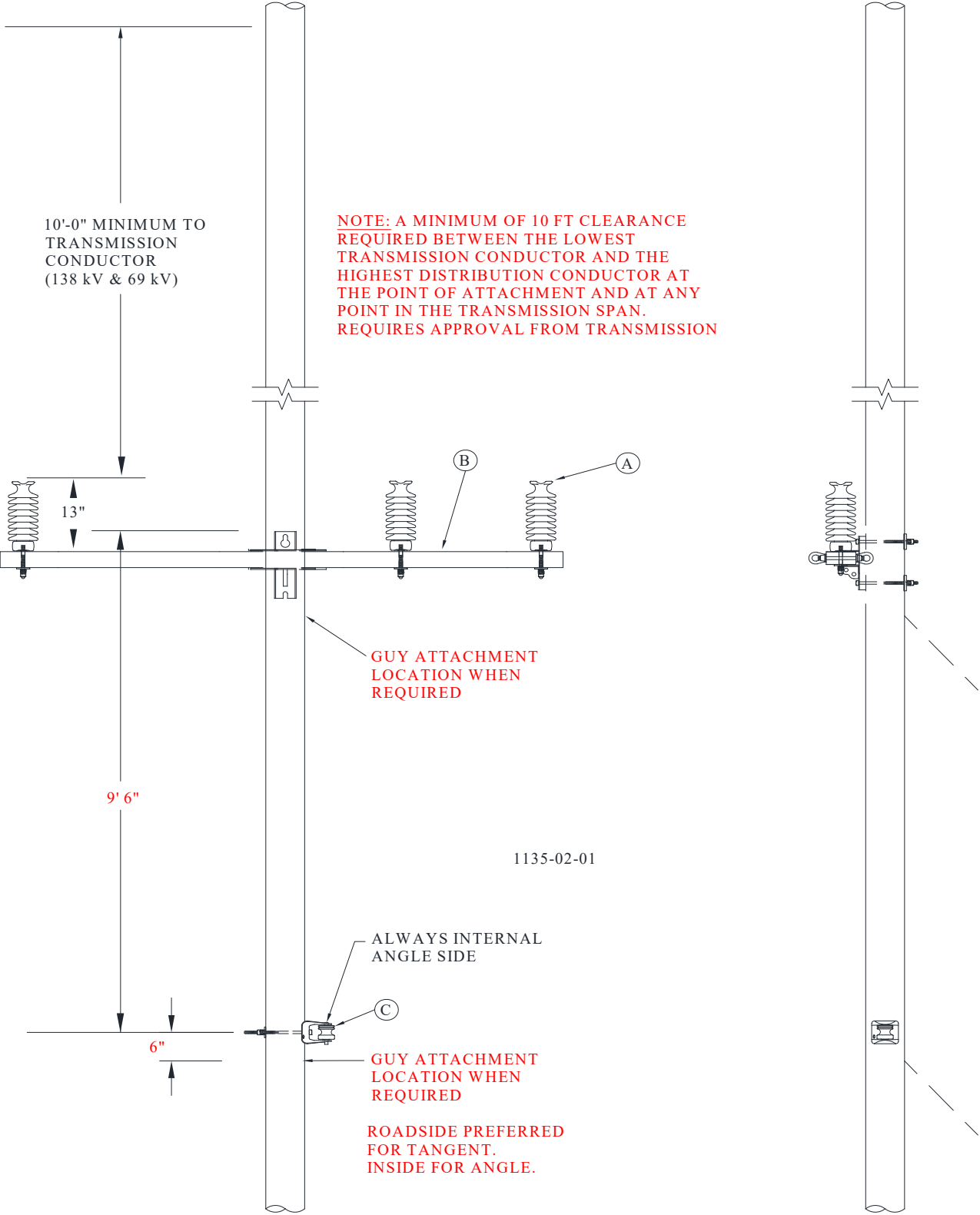
3 PH XARM UNDERBUILD FRAMING 12FT


CONTAINS

- 1135-02 3PH - XARM TANGENT/ANGLE 12 FT**
- 1135-22 3PH - XARM SGL DEAD END HD 12 FT**
- 1135-42 3PH - XARM SGL DE CORNER POLE 12 FT**
- 1135-52 3PH - XARM DBL DEAD END 12 FT**
- 1135-55 3PH - XARM JUNCTION 12 FT**

1135-02
Sheet 1 of 4
Rev 07/01/20

POLES, HARDWARE, AND FRAMING
3PH XARM UNDERBUILD FRAMING 12FT
3PH XARM TANGENT/ANGLE 12 FT



1135-02	POLES, HARDWARE, AND FRAMING	
Sheet 2 of 4	3PH XARM UNDERBUILD FRAMING 12FT	
Rev 07/01/20	3PH XARM TANGENT/ANGLE 12 FT	

MU

REFERENCE FOR SPAN LENGTH/ANGLE PARAMETERS

MU-REF	WIRE	PARAMETERS
1135-02-01	1/0	SPAN LENGTH < 300 FT
	4/0	SPAN LENGTH < 250 FT
	795	SPAN LENGTH < 250 FT
	1/0	ANGLE POLE < 30 DEGREES WITH SPAN LENGTH < 300 FT.
	4/0	ANGLE POLE < 09 DEGREES WITH SPAN LENGTH < 250 FT.
	795	ANGLE POLE < 09 DEGREES WITH SPAN LENGTH < 250 FT.

MU-ID

MU-REF

MU-DESCRIPTION

3PHXR TN/AGSGLPNSGLNU12FT 11350201 3PH XARM TAN/ANG SGL PIN SGL NU 12FT

ID	CU-REF	CU-DESC	QTY	MU-REF
A	11200810	INSULATOR, 46KV, WITN 6 IN PIN	3	11350201
B	11201510	ARM FIBERGLASS LD SGL 12 FT	1	11350201
C	11201005	BRKT RACK 1 POINT 32 IN-SGL	1	11350201

NOTE ADD MODULE 11201003 WHEN SECOND BRACKET IS REQUIRED FOR SECONDARY SERVICE

ASSOCIATED MODULES

	CU-REF	CU-DESCRIPTION	QTY	MU-REF
1/0-1/0 TAN	1240-04-03	TIES PREFM SGL 1/0	3	1135-02-01
	1240-05-40	TIES PREFM SIDE 1/0 NEUTRAL	1	1135-02-01
	1119-10-01	GRD WOOD POLE W/BUTT COIL #6-1/0N	1	1135-02-01

	CU-REF	CU-DESCRIPTION	QTY	MU-REF
1/0-1/0 ANG	1240-05-03	TIES PREFM SIDE SGL 1/0	3	1135-02-01
	1240-05-40	TIES PREFM SIDE 1/0 NEUTRAL	1	1135-02-01
	1119-10-01	GRD WOOD POLE W/BUTT COIL #6-1/0N	1	1135-02-01
	1163-12-10	DG DBL 2-3/8 " GW W/ROD	1	1135-02-01

	CU-REF	CU-DESCRIPTION	QTY	MU-REF
4/0-4/0 TAN	1240-04-06	TIES PREFM SGL 4/0	3	1135-02-01
	1240-05-50	TIES PREFM SIDE 4/0 NEUTRAL	1	1135-02-01
	1119-10-02	GRD WOOD POLE W/BUTT COIL #6-4/0N	1	1135-02-01

	CU-REF	CU-DESCRIPTION	QTY	MU-REF
4/0-4/0 ANG	1240-05-06	TIES PREFM SIDE SGL 4/0	3	1135-02-01
	1240-05-50	TIES PREFM SIDE 4/0 NEUTRAL	1	1135-02-01
	1119-10-02	GRD WOOD POLE W/BUTT COIL #6-4/0N	1	1135-02-01
	1163-12-20	DG DBL 1-7/16" W/ROD AND 1-3/8" GW	1	1135-02-01

1135-02
Sheet 3 of 3
Rev 07/01/20

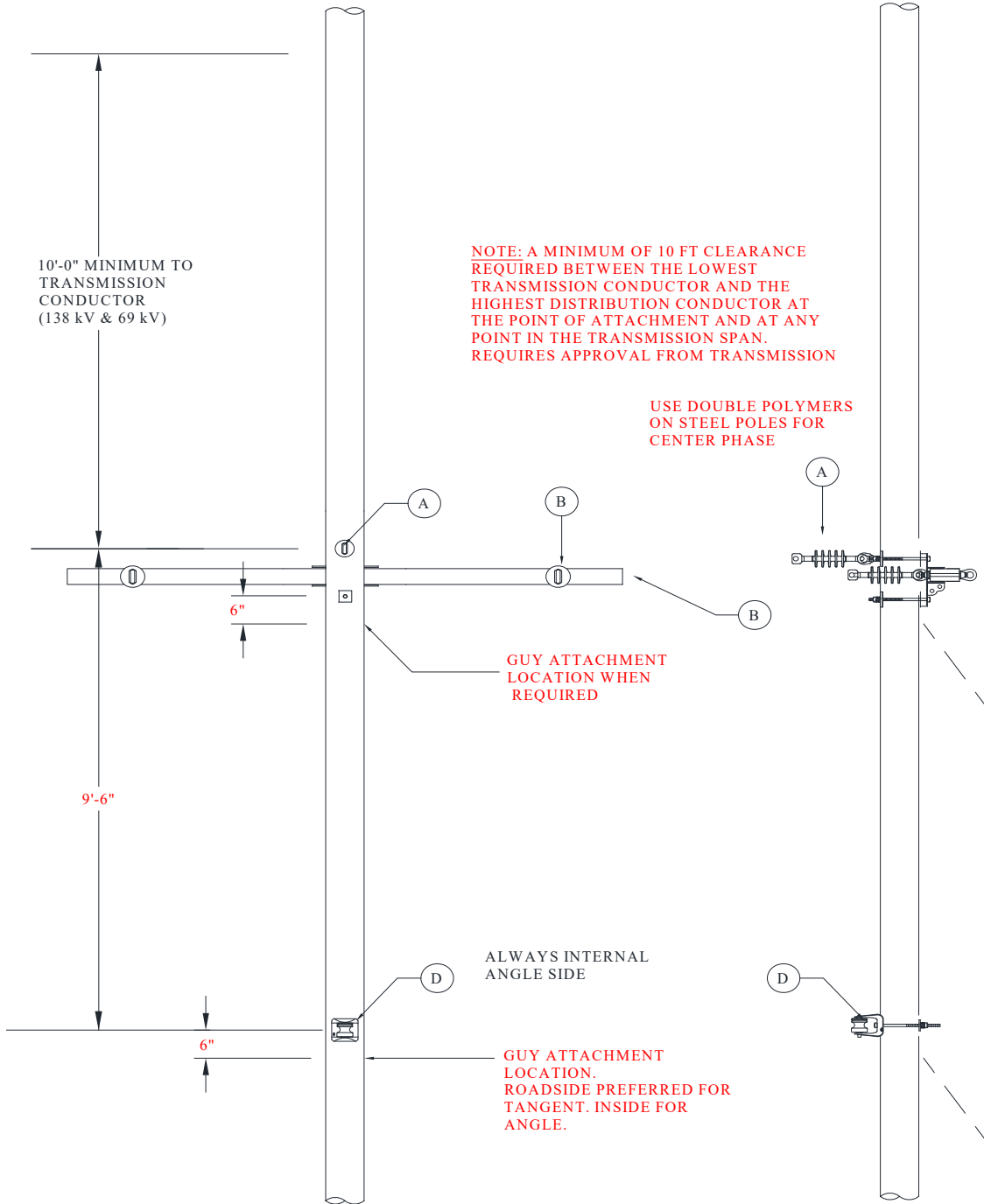
POLES, HARDWARE, AND FRAMING
3PH XARM UNDERBUILD FRAMING 12FT
3PH XARM TANGENT/ANGLE 12 FT




	CU-REF	CU-DESCRIPTION	QTY	MU-REF
795-4/0 TAN	1240-04-10	TIES PREFM SGL 795	3	1135-02-01
	1240-05-50	TIES PREFM SIDE 4/0 NEUTRAL	1	1135-02-01
	1119-10-02	GRD WOOD POLE W/BUTT COIL #6-4/0N	1	1135-02-01

	CU-REF	CU-DESCRIPTION	QTY	MU-REF
795-4/0 ANG	1240-05-10	TIES PREFM SIDE SGL 795	3	1135-02-01
	1240-05-50	TIES PREFM SIDE 4/0 NEUTRAL	1	1135-02-01
	1119-10-02	GRD WOOD POLE W/BUTT COIL #6-4/0N		1135-02-01
	1163-12-20	DG DBL 1-7/16" W/ROD AND 1-3/8" GW	1	1135-02-01

POLES, HARDWARE, AND FRAMING
3PH XARM UNDERBUILD FRAMING 12FT
3PH XARM SINGLE DEAD END HD 12 FT



1135-22	POLES, HARDWARE, AND FRAMING	
Sheet 2 of 2	3PH XARM UNDERBUILD FRAMING 12FT	
Rev 07/01/20	3PH XARM SINGLE DEAD END HD 12 FT	

MU

MU-ID	MU-REF	MU-DESCRIPTION
3PHXRSDEHD12FT	11352201	3PH XARM SGL DE HD 12FT

ID	CU-REF	CU-DESC	QTY	MU-REF
A	11201704	INSULATOR DE SGL W/3/4" EYENUT	1	11352201
B	11201615	ARM FIBERGLASS DE HD 12 FT	1	11352201
C	11201701	INSULATOR DE SGL	2	11352201
D	11201005	BRKT RACK 1 POINT 32 IN-SGL	1	11352201

NOTE ADD MODULE 11201003 WHEN SECOND BRACKET IS REQUIRED FOR SECONDARY SERVICE

ASSOCIATED MODULES

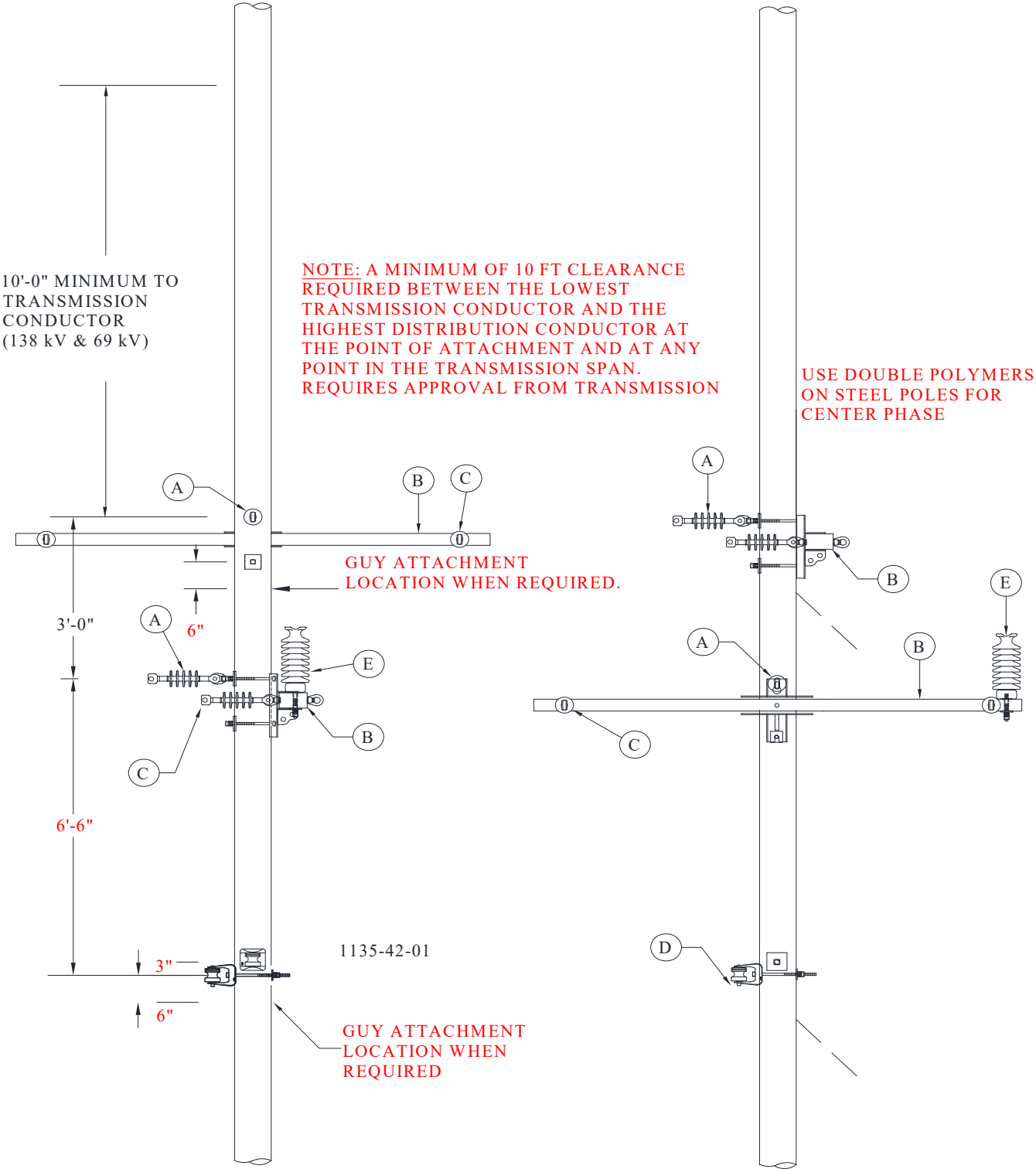
	CU-REF	CU-DESCRIPTION	QTY	MU-REF
1/0-1/0	1240-01-01	DEAD END CLAMP 1/0-4/0	3	1135-22-01
	1240-03-11	DEAD END PREFM 1/0 ACSR	1	1135-22-01
	1119-10-01	GRD WOOD POLE W/BUTT COIL #6 TO 1/0N	1	1135-22-01
	1163-12-10	DG DBL 2-3/8" GW W/ROD	1	1135-22-01


	CU-REF	CU-DESCRIPTION	QTY	MU-REF
4/0-1/0	1240-01-01	DEAD END CLAMP 1/0-4/0	3	1135-22-01
	1240-03-40	DEAD END PREFM 4/0 AAC/ACSR	1	1135-22-01
	1119-10-02	GRD WOOD POLE W/BUTT COIL #6 TO 4/0N	1	1135-22-01
	1163-12-20	DG DBL 1-7/16" W/ROD AND 1-3/8" GW	1	1135-22-01

	CU-REF	CU-DESCRIPTION	QTY	MU-REF
795-4/0	1240-01-07	DEAD-END CLAMP 795	3	1135-22-01
	1240-03-40	DEAD END PREFM 4/0 AAC/ACSR	1	1135-22-01
	1119-10-02	GRD WOOD POLE W/BUTT COIL #6 TO 4/0N	1	1135-22-01
	1163-14-20	DG TPL 2-7/16" W/ROD AND 1-3/8" GW	1	1135-22-01

1135-42
Sheet 1 of 3
Rev 07/01/20

POLES, HARDWARE, AND FRAMING
3PH XARM UNDERBUILD FRAMING 12FT
3PH XARM SGL DE CORNER POLE 12 FT



1135-42	POLES, HARDWARE, AND FRAMING 3PH XARM UNDERBUILD FRAMING 12FT 3PH XARM SGL DE CORNER POLE 12 FT	
Sheet 2 of 3		
Rev 07/01/20		

MU

MU-ID MU-REF MU-DESCRIPTION

3PHXRSDECNHD12FT 11354201 3PH XARM SGL DE CORNER 12FT

ID	CU-REF	CU-DESC	QTY	MU-REF
A	11201704	INSULATOR DE SGL W/3/4" EYENUT	2	11354201
B	11201615	ARM FIBERGLASS DE HD 12 FT	2	11354201
C	11201701	INSULATOR DE SGL	4	11354201
D	11201005	BRKT RACK 1 POINT 32 IN-SGL	2	11354201
E	11200812	INSULATOR, 46KV WITH 10 IN PIN	1	11354201

NOTE ADD MODULE 11201003 WHEN SECOND BRACKET IS REQUIRED FOR SECONDARY SERVICE

ASSOCIATED MODULES-FULL TENSION

	CU-REF	CU-DESCRIPTION	QTY	MU-REF
1/0-1/0	1240-01-01	DEAD-END CLAMP 1/0-4/0	6	1135-42-01
	1119-10-01	GRD WOOD POLE W/BUTT COIL #6-1/0N	1	1135-42-01
	1163-12-10	DG DBL 2-3/8" GW W/ROD	2	1135-42-01
	1240-03-11	DEAD END PREFM 1/0 ACSR	2	1135-42-01
	1240-04-03	TIES PREFM SGL 1/0	1	1135-42-01
	1245-02-04	H-TAP CU/AL 1/0-1/0	7	1135-42-01

	CU-REF	CU-DESCRIPTION	QTY	MU-REF
4/0-4/0	1240-01-01	DEAD-END CLAMP 1/0-4/0	6	1135-42-01
	1119-10-02	GRD WOOD POLE W/BUTT COIL #6-4/0N	1	1135-42-01
	1163-12-20	DG DBL 1-7/16" W/ROD AND 1-3/8" GW	2	1135-42-01
	1240-03-40	DEAD END PREFM 4/0 AAC/ACSR	2	1135-42-01
	1240-04-06	TIES PREFM SGL 4/0	1	1135-42-01
	1245-02-07	H-TAP CU/AL 4/0-4/0	7	1135-42-01

	CU-REF	CU-DESCRIPTION	QTY	MU-REF
795-4/0	1240-01-07	DEAD-END CLAMP 795	6	1135-42-01
	1119-10-02	GRD WOOD POLE W/BUTT COIL #6-4/0N	1	1135-42-01
	1163-14-20	DG TPL 2-7/16" W/ROD AND 1-3/8" GW	2	1135-42-01
	1240-03-40	DEAD END PREFM 4/0 AAC/ACSR	2	1135-42-01
	1245-07-77	CLAMP 2-BOLT 795-795	6	1135-42-01
	1240-04-10	TIES PREFM SGL 795	1	1135-42-01
	1245-02-07	H-TAP CU/AL 4/0-4/0	1	1135-42-01

ASSOCIATED MODULES-REDUCED TENSION

1135-42

Sheet 3 of 3

Rev 07/01/20

POLES, HARDWARE, AND FRAMING
3PH XARM UNDERBUILD FRAMING 12FT
3PH XARM SGL DE CORNER POLE 12 FT

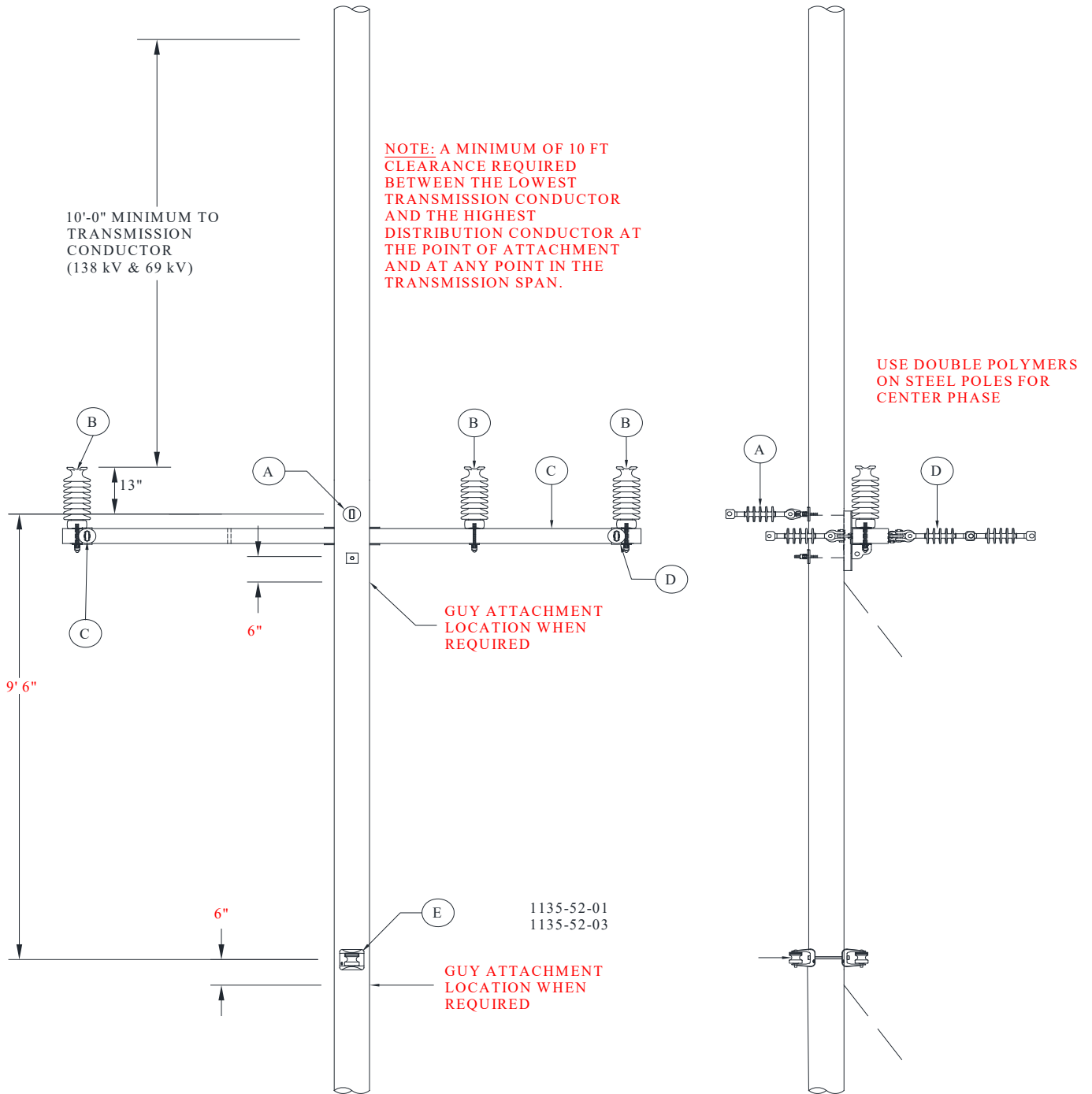


	CU-REF	CU-DESCRIPTION	QTY	MU-REF
1/0-1/0	1240-01-01	DEAD-END CLAMP 1/0-4/0	6	1135-42-01
	1119-10-01	GRD WOOD POLE W/BUTT COIL #6-1/0N	1	1135-42-01
	1240-03-11	DEAD END PREFM 1/0 ACSR	2	1135-42-01
	1240-04-03	TIES PREFM SGL 1/0	1	1135-42-01
	1245-02-04	H-TAP CU/AL 1/0-1/0	7	1135-42-01

	CU-REF	CU-DESCRIPTION	QTY	MU-REF
4/0 -4/0	1240-01-01	DEAD-END CLAMP 1/0-4/0	6	1135-42-01
	1119-10-02	GRD WOOD POLE W/BUTT COIL #6-4/0N	1	1135-42-01
	1240-03-40	DEAD END PREFM 4/0 AAC/ACSR	2	1135-42-01
	1240-04-06	TIES PREFM SGL 4/0	1	1135-42-01
	1245-02-07	H-TAP CU/AL 4/0-4/0	7	1135-42-01

	CU-REF	CU-DESCRIPTION	QTY	MU-REF
795-4/0	1240-01-07	DEAD-END CLAMP 795	6	1135-42-01
	1119-10-02	GRD WOOD POLE W/BUTT COIL #6-4/0N	1	1135-42-01
	1240-03-40	DEAD END PREFM 4/0 AAC/ACSR	2	1135-42-01
	1240-04-10	TIES PREFM SGL 795	1	1135-42-01
	1245-07-77	CLAMP 2-BOLT 795-795	6	1135-42-01
	1245-02-07	H-TAP CU/AL 4/0-4/0	1	1135-42-01

POLES, HARDWARE, AND FRAMING
3PH XARM UNDERBUILD FRAMING 12FT
3PH XARM DBL DEAD END 12 FT



1135-52

Sheet 3 of 3

Rev 07/01/20

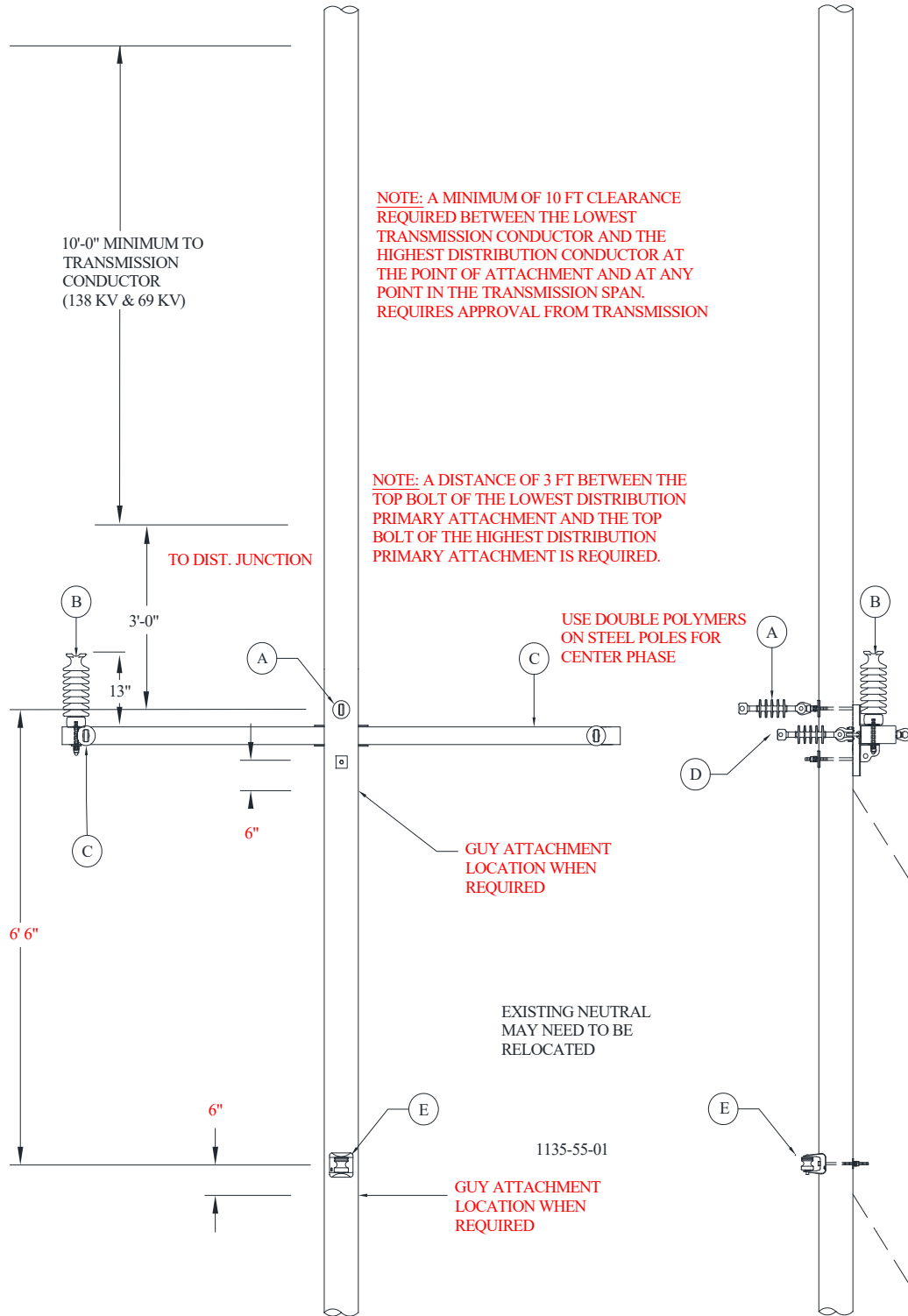
POLES, HARDWARE, AND FRAMING
3PH XARM UNDERBUILD FRAMING 12FT
3PH XARM DBL DEAD END 12 FT




	CU-REF	CU-DESCRIPTION	QTY	MU-REF
4/0-4/0	1240-01-01	DEAD END CLAMP 1/0-4/0	6	ALL GROUPS
	1240-04-06	TIES PREFM SGL 4/0	3	ALL GROUPS
	1240-03-40	DEAD END PREFM 4/0 AAC/ACSR	2	ALL GROUPS
	1119-10-02	GRD WOOD POLE W/BUTT COIL #6-4/0N	1	ALL GROUPS
	1163-12-20	DG DBL 1-7/16" W/ROD AND 1-3/8" GW	1	ALL GROUPS
	1245-02-07	H-TAP CU/AL 4/0-4/0	8	ALL GROUPS

	CU-REF	CU-DESCRIPTION	QTY	MU-REF
795-4/0	1240-01-07	DEAD END CLAMP 795	6	ALL GROUPS
	1240-04-10	TIES PREFM SGL 795	3	ALL GROUPS
	1240-03-40	DEAD END PREFM 4/0 AAC/ACSR	2	ALL GROUPS
	1119-10-02	GRD WOOD POLE W/BUTT COIL #6-4/0N	1	ALL GROUPS
	1163-14-20	DG TPL 2-7/16" W/ROD AND 1-3/8" GW	1	ALL GROUPS
	1245-07-77	CLAMP 2-BOLT 795-795	6	ALL GROUPS
	1245-02-07	H-TAP CU/AL 4/0-4/0	2	ALL GROUPS

POLES, HARDWARE, AND FRAMING
3PH XARM UNDERBUILD FRAMING 12FT
3PH XARM JUNCTION 12 FT



1135-55	POLES, HARDWARE, AND FRAMING	
Sheet 2 of 3	3PH XARM UNDERBUILD FRAMING 12FT	
Rev 07/01/20	3PH XARM JUNCTION 12 FT	

MU

MU-ID	MU-REF	MU-DESCRIPTION
--------------	---------------	-----------------------

3PHXRSDEJNHD12FT	11355501	3PH XARM SGL DE JUNCTION HD 12FT
------------------	----------	----------------------------------

ID	CU-REF	CU-DESC	QTY	MU-REF
A	11201704	INSULATOR DE SGL W/3/4" EYENUT	1	11355501
B	11200812	INSULATOR, 46KV WITH 10 IN PIN	1	11355501
C	11201615	ARM FIBERGLASS DE HD 12 FT	1	11355501
D	11201701	INSULATOR DE SGL	2	11355501
E	11201015	BRKT RACK 1 POINT BACK UP	1	11355501

ASSOCIATED MODULES-FULL TENSION

	CU-REF	CU-DESCRIPTION	QTY	MU-REF
1/0-1/0	1240-01-01	DEAD-END CLAMP 1/0-4/0	3	1135-55-01
	1240-03-11	DEAD END PREFM 1/0 ACSR	1	1135-55-01
	1163-12-10	DOWN GUY DBL 3/8" GUY W 8' STRAIN ROD	1	1135-55-01

	CU-REF	CU-DESCRIPTION	QTY	MU-REF
4/0-4/0	1240-01-01	DEAD-END CLAMP 1/0-4/0	3	1135-55-01
	1240-03-40	DEAD END PREFM 4/0 AAC/ACSR	1	1135-55-01
	1163-12-20	DG DBL 1-7/16" W/ROD AND 1-3/8" GW	1	1135-55-01

	CU-REF	CU-DESCRIPTION	QTY	MU-REF
795-4/0	1240-01-07	DEAD-END CLAMP 795	3	1135-55-01
	1240-03-40	DEAD END PREFM 4/0 AAC/ACSR	1	1135-55-01
	1163-14-20	DG TPL 2-7/16" W/ROD AND 1-3/8" GW	1	1135-55-01

ASSOCIATED MODULES-SLACK TENSION

	CU-REF	CU-DESCRIPTION	QTY	MU-REF
1/0-1/0	1240-01-01	DEAD-END CLAMP 1/0-4/0	3	1135-55-01
	1240-03-11	DEAD END PREFM 1/0 ACSR	1	1135-55-01

	CU-REF	CU-DESCRIPTION	QTY	MU-REF
4/0-4/0	1240-01-01	DEAD-END CLAMP 1/0-4/0	3	1135-55-01
	1240-03-40	DEAD END PREFM 4/0 AAC/ACSR	1	1135-55-01

	CU-REF	CU-DESCRIPTION	QTY	MU-REF
795-4/0	1240-01-07	DEAD-END CLAMP 795	3	1135-55-01
	1240-03-40	DEAD END PREFM 4/0 AAC/ACSR	1	1135-55-01

1135-55
Sheet 3 of 3
Rev 07/01/20

POLES, HARDWARE, AND FRAMING
3PH XARM UNDERBUILD FRAMING 12FT
3PH XARM JUNCTION 12 FT



ASSOCIATED MODULES- JUMPERS

	CU-REF	CU-DESCRIPTION	QTY	MU-REF
1/0-1/0	1245-02-04	H-TAP CU/AL 1/0-1/0	7	1135-55-01
	1240-04-03	TIES PREFM SGL 1/0	2	1135-55-01

	CU-REF	CU-DESCRIPTION	QTY	MU-REF
4/0-4/0	1245-02-07	H-TAP CU/AL 4/0-4/0	7	1135-55-01
	1240-04-06	TIES PREFM SGL 4/0	2	1135-55-01

	CU-REF	CU-DESCRIPTION	QTY	MU-REF
4/0-795	1245-07-85	CLAMP 1-BOLT CU/AL 795-336	6	1135-55-01
	1240-04-06	TIES PREFM SGL 4/0	2	1135-55-01
	1245-02-07	H-TAP CU/AL 4/0-4/0	1	1135-55-01

	CU-REF	CU-DESCRIPTION	QTY	MU-REF
795-795	1245-07-77	CLAMP 2-BOLT 795-795	6	1135-55-01
	1245-02-07	H-TAP CU/AL 4/0-4/0	1	1135-55-01
	1240-04-10	TIES PREFM SGL 795	2	1135-55-01

ASSOCIATED MODULES-FUSED

	CU-REF	CU-DESCRIPTION	QTY	MU-REF
1/0-1/0	1245-02-04	H-TAP CU/AL 1/0-1/0	1	1135-55-01
	1368-12-20	LINE FUSE ASSY 8/10' DE ARM 1/0 PRI	3	1135-55-01

	CU-REF	CU-DESCRIPTION	QTY	MU-REF
4/0-1/0	1245-02-06	H-TAP CU/AL 4/0-1/0	1	1135-55-01
	1368-12-21	LINE FUSE ASSY 8/10' DE ARM 4/0 PRI	3	1135-55-01

	CU-REF	CU-DESCRIPTION	QTY	MU-REF
795-1/0	1245-02-06	H-TAP CU/AL 4/0-1/0	1	1135-55-01
	1368-12-24	LINE FUSE ASSY 8/10' DE ARM 795 PRI	3	1135-55-01

ASSOCIATED MODULES-HOT TAP JUMPERS

	CU-REF	CU-DESCRIPTION	QTY	MU-REF
1/0-1/0	1245-02-04	H-TAP CU/AL 1/0-1/0	1	1135-55-01
	1368-05-40	JUMPER ASSY - HOT TAP 1/0 AL PRI	3	1135-55-01