


<b>1122</b>	<b>POLES, HARDWARE, AND FRAMING</b>	
Sheet 1 of 1	<b>1PH FRAMING</b>	
Rev: 07/01/20		

**1122**

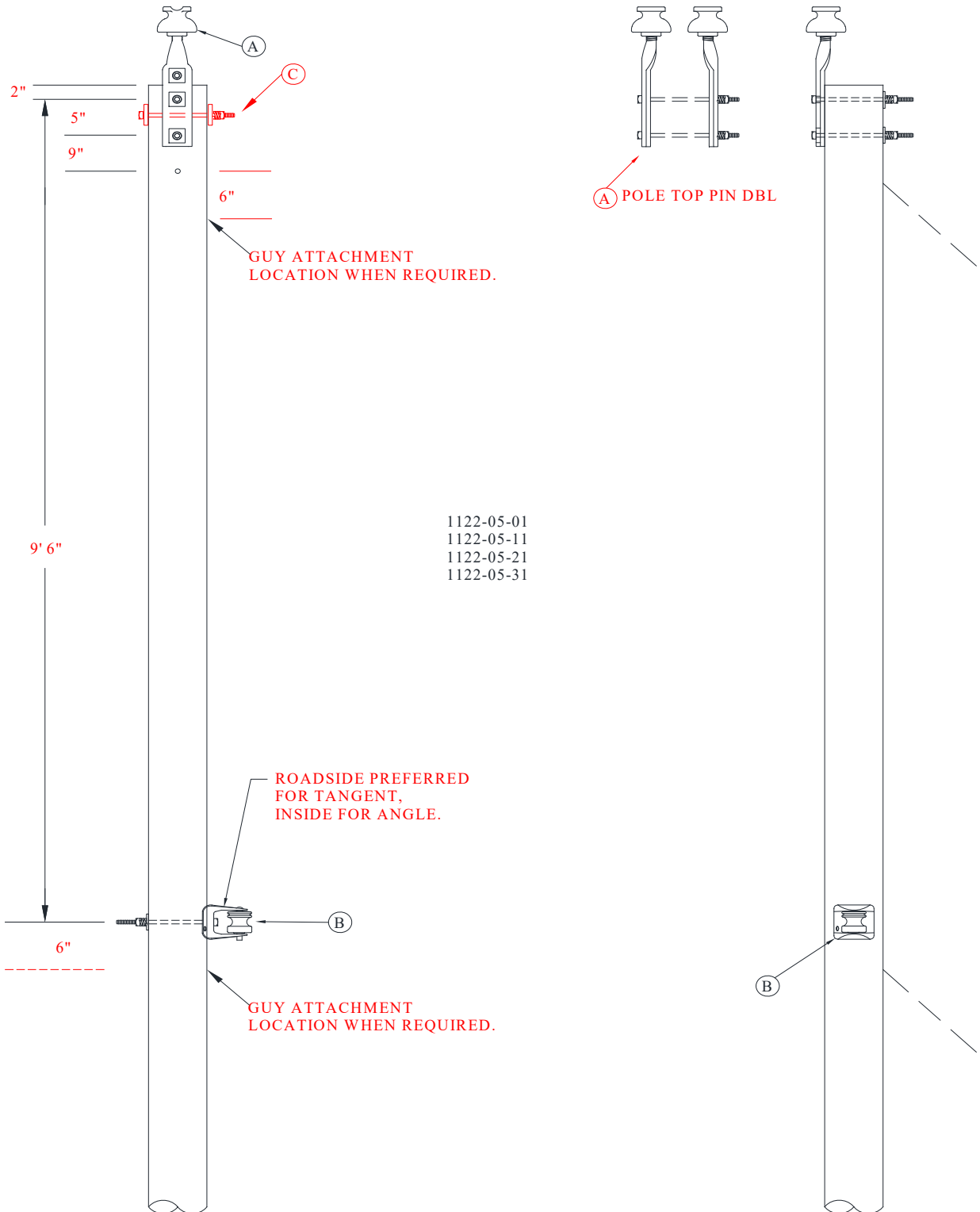
**1PH FRAMING**

**CONTAINS**

- 1122-05 1PH - TANGENT/ANGLE**
- 1122-15 1PH - DEAD END CORNER POLE**
- 1122-21 1PH - SINGLE DEAD END**
- 1122-51 1PH - DOUBLE DEAD END**
- 1122-61 1PH - JUNCTION POLE**
- 1122-62 1PH - JUNCTION W/FUSE**

1122-05
Sheet 1 of 3
Rev: 07/01/20

POLES, HARDWARE, AND FRAMING  
 SINGLE CIRCUIT FRAMING  
 1PH TANGENT AND ANGLE



1122-05-01  
 1122-05-11  
 1122-05-21  
 1122-05-31



<b>1122-05</b>
Sheet 3 of 3
Rev: 07/01/20

**POLES, HARDWARE, AND FRAMING**  
**SINGLE CIRCUIT FRAMING**  
**1PH TANGENT AND ANGLE**



**NOTE ADD MODULE 11201003 WHEN SECOND BRACKET IS REQUIRED FOR SECONDARY SERVICE**

**ASSOCIATED MODULES**

	<b>CU-REF</b>	<b>CU-DESC.</b>	<b>QTY.</b>	<b>MU-REF</b>
1/0-1/0 TAN	1240-04-03	TIES PREFM SGL 1/0	1	1122-05-01
	1240-05-40	TIES PREFM SIDE 1/0 NEUTRAL	1	1122-05-01
	1119-10-01	GRD WOOD POLE W/BUTT COIL #6-1/0N	1	1122-05-01

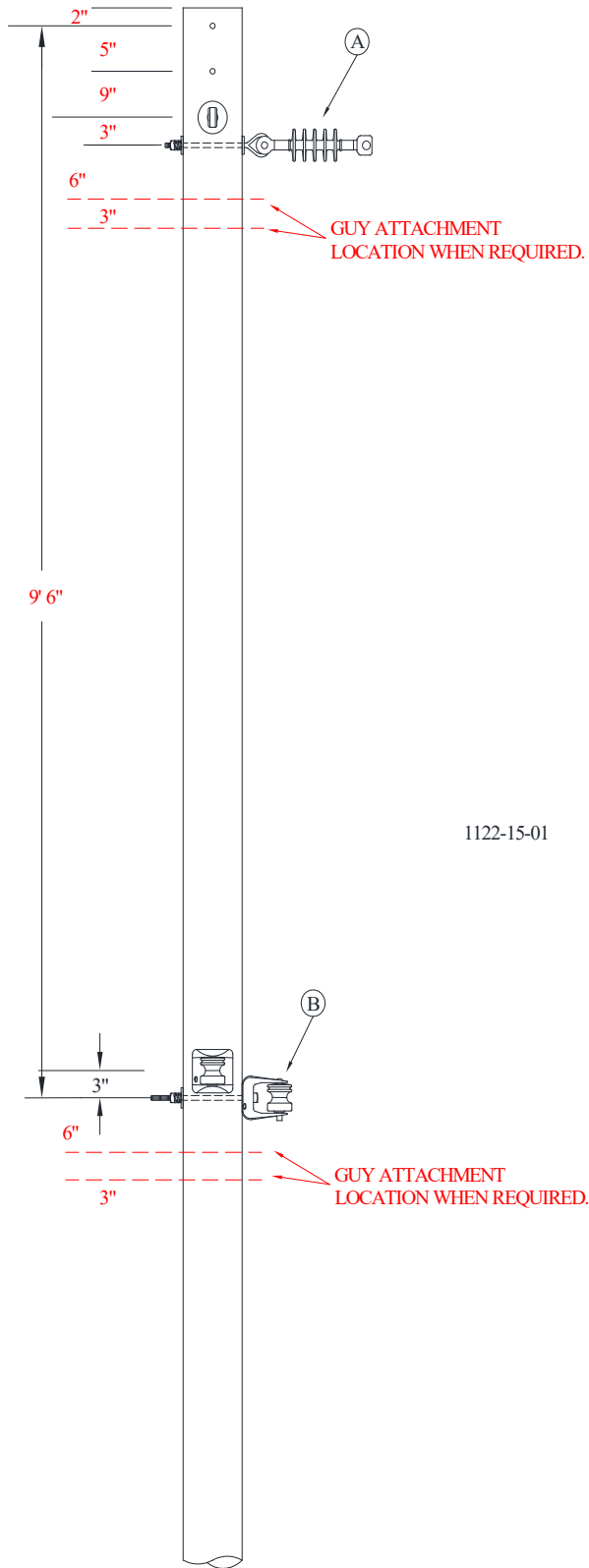
	<b>CU-REF</b>	<b>CU-DESC.</b>	<b>QTY.</b>	<b>MU-REF</b>
1/0-1/0 TAN	1240-04-23	TIES PREFM DBL 1/0	1	1122-05-11
	1240-05-40	TIES PREFM SIDE 1/0 NEUTRAL	1	1122-05-11
	1119-10-01	GRD WOOD POLE W/BUTT COIL #6-1/0N	1	1122-05-11


	<b>CU-REF</b>	<b>CU-DESC.</b>	<b>QTY.</b>	<b>MU-REF</b>
1/0-1/0 ANG	1240-05-03	TIES PREFM SIDE SGL 1/0	1	1122-05-21
	1240-05-40	TIES PREFM SIDE 1/0 NEUTRAL	1	1122-05-21
	1119-10-01	GRD WOOD POLE W/BUTT COIL #6-1/0N	1	1122-05-21
	1163-12-10	DG DBL 2-3/8" GW W/ROD	1	1122-05-21

	<b>CU-REF</b>	<b>CU-DESC.</b>	<b>QTY.</b>	<b>MU-REF</b>
1/0-1/0 ANG	1240-05-23	TIES PREFM SIDE DBL 1/0	1	1122-05-31
	1240-05-40	TIES PREFM SIDE 1/0 NEUTRAL	1	1122-05-31
	1119-10-01	GRD WOOD POLE W/BUTT COIL #6-1/0N	1	1122-05-31
	1163-12-10	DG DBL 2-3/8" GW W/ROD	1	1122-05-31

1122-15
Sheet 1 of 2
Rev: 07/01/20

POLES, HARDWARE, AND FRAMING  
SINGLE CIRCUIT FRAMING  
1PH DEAD END CORNER POLE



1122-15	POLES, HARDWARE, AND FRAMING	
Sheet 2 of 2	SINGLE CIRCUIT FRAMING	
Rev: 07/01/20	1PH DEAD END CORNER POLE	

**MU**

MU-ID	MU-REF	MU-DESCRIPTION
1PHDECN	11221501	1 PH DEAD-END CORNER

ID	CU-REF	CU-DESC	QTY	MU-REF
A	11201702	INSULATOR DE SGL W/5/8" EYEBOLT	2	11221501
B	11201003	BRKT RACK 1 POINT 14 IN-SGL	2	11221501

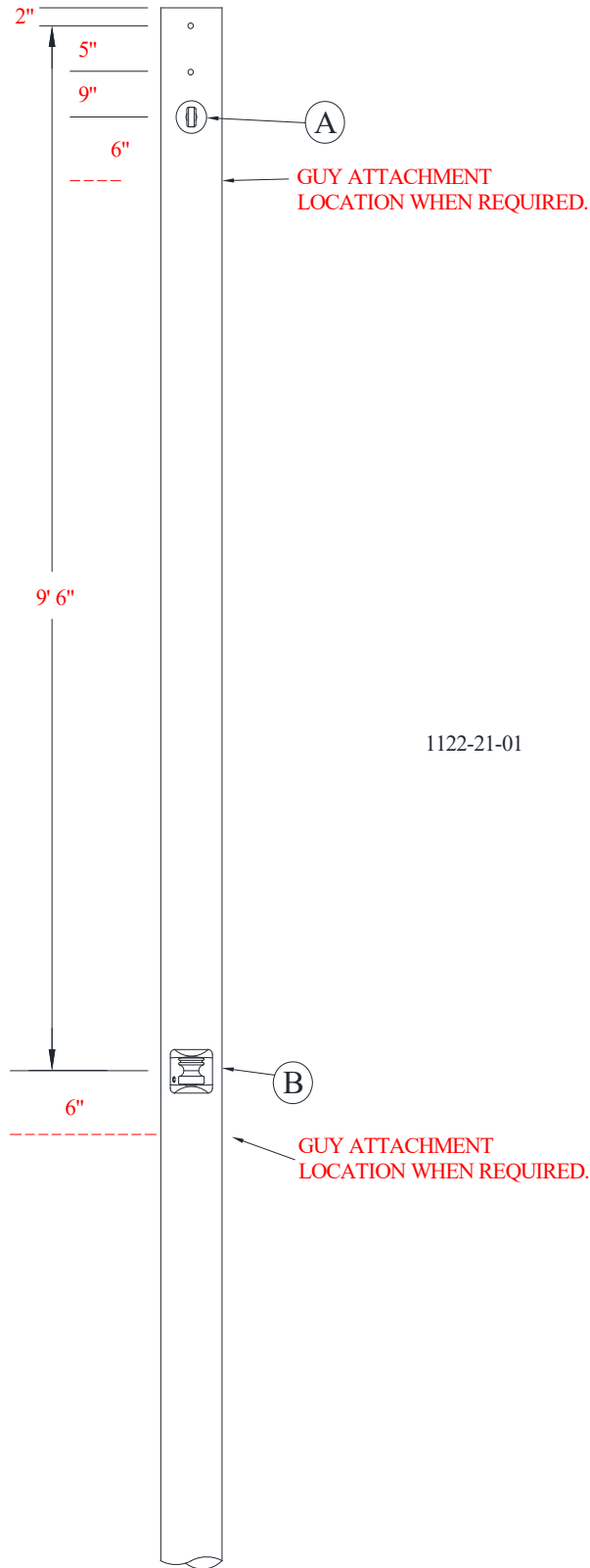
**NOTE ADD MODULE 11201003 WHEN SECOND BRACKET IS REQUIRED FOR SECONDARY SERVICE**


**ASSOCIATED MODULES**

	CU-REF	CU-DESC.	QTY.	MU-REF
1/0-1/0	1240-01-01	DEAD END CLAMP 1/0-4/0	2	1122-15-01
	1240-03-11	DEADEND PREFM 1/0 ACSR	2	1122-15-01
	1245-02-04	H-TAP CU/AL 1/0-1/0	4	1122-15-01
	1119-10-01	GRD WOOD POLE W/BUTT COIL #6-1/0N	1	1122-15-01
	1163-12-10	DG DBL 2-3/8" GW W/ROD	2	1122-15-01

1122-21
Sheet 1 of 2
Rev: 07/01/20

POLES, HARDWARE, AND FRAMING  
 SINGLE CIRCUIT FRAMING  
 1PH SINGLE DEAD END



1122-21	<p style="text-align: center;">POLES, HARDWARE, AND FRAMING</p> <p style="text-align: center;">SINGLE CIRCUIT FRAMING</p> <p style="text-align: center;">1PH SINGLE DEAD END</p>	
Sheet 2 of 2		
Rev: 07/01/20		

**MU**

<b>MU-ID</b>	<b>MU-REF</b>	<b>MU-DESCRIPTION</b>
--------------	---------------	-----------------------

1PHSDE	11222101	1 PH SGL DEAD-END
--------	----------	-------------------

ID	CU-REF	CU-DESC	QTY	MU-REF
A	11201702	INSULATOR DE SGL W/5/8" EYEBOLT	1	11222101
B	11201003	BRKT RACK 1 POINT 14 IN-SGL	1	11222101

**NOTE ADD MODULE 11201003 WHEN SECOND BRACKET IS REQUIRED FOR SECONDARY SERVICE**

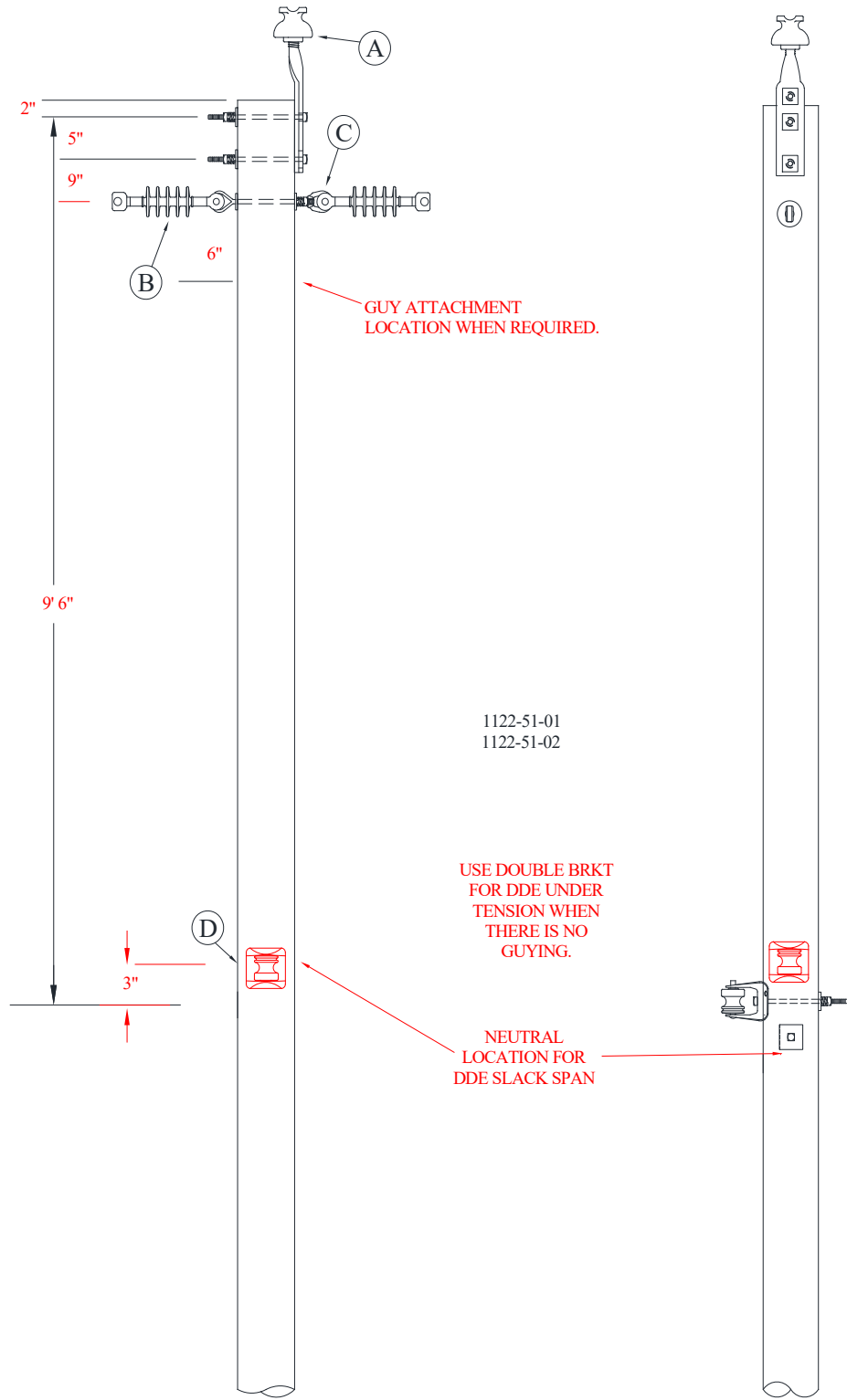
**ASSOCIATED MODULES**


	CU-REF	CU-DESC.	QTY.	MU-REF
1/0-1/0	1240-01-01	DEAD END CLAMP 1/0-4/0	1	1122-21-01
	1240-03-11	DEADEND PREFM 1/0 ACSR	1	1122-21-01
	1119-10-01	GRD WOOD POLE W/BUTT COIL #6-1/0N	1	1122-21-01
	1163-12-10	DG DBL 2-3/8" GW W/ROD	2	1122-21-01



<b>1122-51</b>
Sheet 1 of 2
Rev: 07/01/20

**POLES, HARDWARE, AND FRAMING**  
**SINGLE CIRCUIT FRAMING**  
**1PH DOUBLE DEAD END**



<b>1122-51</b>	<b>POLES, HARDWARE, AND FRAMING</b> <b>SINGLE CIRCUIT FRAMING</b> <b>1PH DOUBLE DEAD END</b>	
Sheet 2 of 2		
Rev: 07/01/20		

**MU**

**REFERENCE FOR ANGLE PARAMETERS**

MU-REF	PARAMETERS
1122-51-02	ANGLE POLE > 30 AND < 60 DEGREES

<b>MU-ID</b>	<b>MU-REF</b>	<b>MU-DESCRIPTION</b>
--------------	---------------	-----------------------

1PHDDE	11225101	1 PH DBL DEAD-END
--------	----------	-------------------

ID	CU-REF	CU-DESC	QTY	MU-REF
A	11200701	INSULATOR W/FIBERGLASS POLE TOP PIN-SGL	1	11225101
B	11201702	INSULATOR DE SGL W/5/8" EYEBOLT	1	11225101
C	11201703	INSULATOR DE SGL W/5/8" EYENUT	1	11225101
D	11201009	BRKT RACK 1 POINT 14 IN-DBL	1	11225101

1PHDDEANG	11225102	1 PH DBL DEAD-END ANGLE
-----------	----------	-------------------------

ID	CU-REF	CU-DESC	QTY	MU-REF
A	11200701	INSULATOR W/FIBERGLASS POLE TOP PIN-SGL	1	11225102
B	11201711	INSULATOR DE SGL W/5/8" EYEBOLT/SHACKLE	1	11225102
C	11201712	INSULATOR DE SGL W/5/8" EYENUT/SHACKLE	1	11225102
D	11201009	BRKT RACK 1 POINT 14 IN-DBL	1	11225102

**ASSOCIATED MODULES**

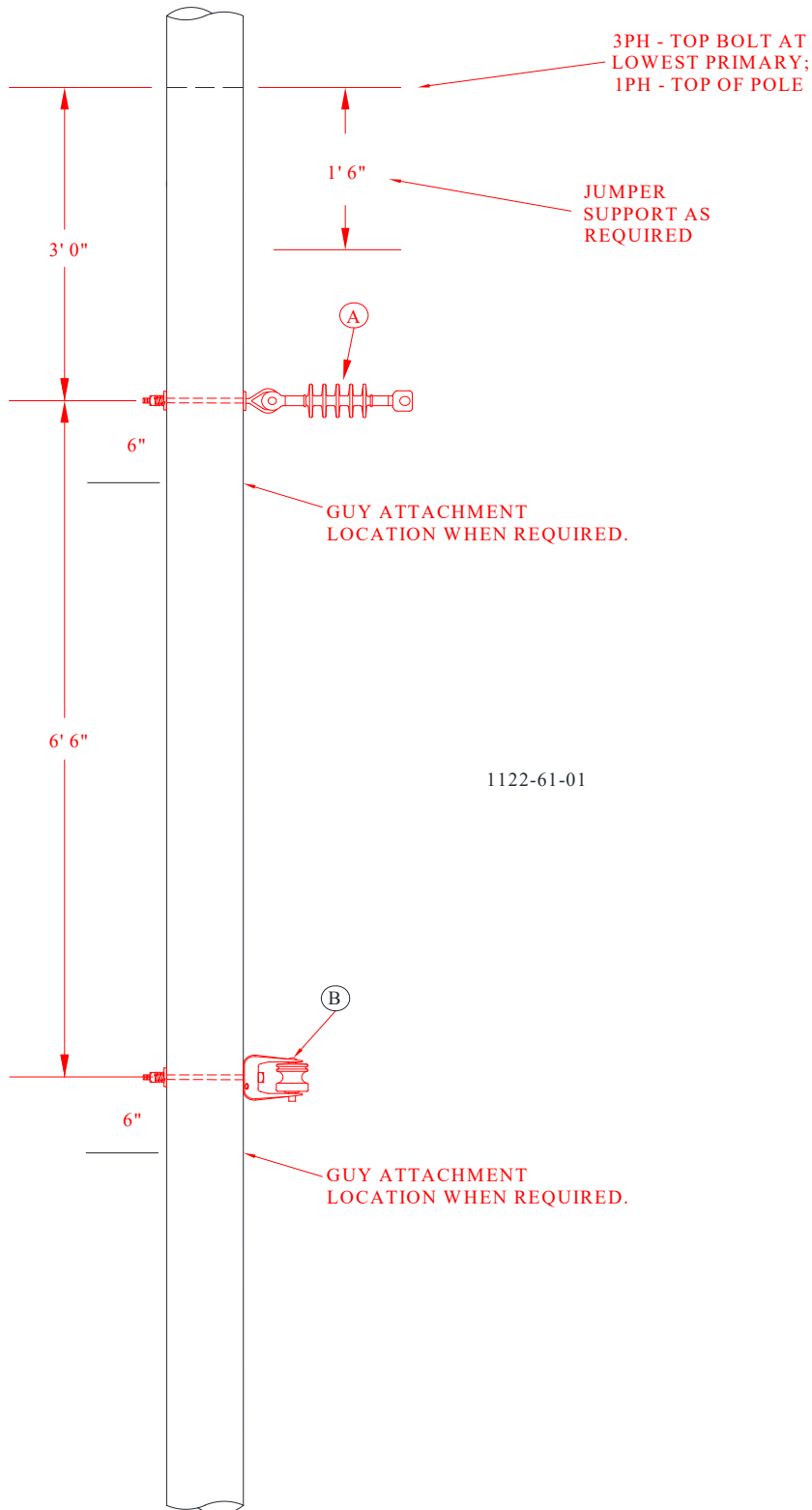
	CU-REF	CU-DESC.	MU-REF
1/0-1/0	1240-01-01	DEAD END CLAMP 1/0-4/0	ALL GROUPS
	1240-04-03	TIES PREFM SGL 1/0	ALL GROUPS
	1240-03-11	DEADEND PREFM 1/0 ACSR	ALL GROUPS
	1119-10-01	GRD WOOD POLE W/BUTT COIL #6-1/0N	ALL GROUPS
	1163-12-10	DG DBL 2-3/8" GW W/ROD	ALL GROUPS
	1245-02-04	H-TAP CU/AL 1/0-1/0	ALL GROUPS

<b>1122-61</b>
Sheet 1 of 2
Rev: 07/01/20

**POLES, HARDWARE, AND FRAMING**

**SINGLE CIRCUIT FRAMING**

**1PH JUNCTION**





1122-62
Sheet 1 of 2
Rev: 07/01/20

POLES, HARDWARE, AND FRAMING

SINGLE CIRCUIT FRAMING

1PH JUNCTION W/FUSE

