


1120	POLES, HARDWARE, AND FRAMING HARDWARE	
Sheet 1 of 1		
Rev: 07/01/20		

1120

HARDWARE

CONTAINS

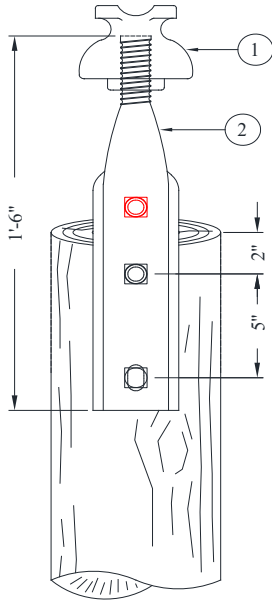
- 1120-06 POLE TOP PINS - TANGENT/ANGLE**
- 1120-07 POLE TOP PINS - FIBERGLASS**
- 1120-08 INSULATOR PIN SHORT/LONG 15KV & 48KV**
- 1120-09 INSULATOR STANDOFF PIN**
- 1120-10 RACKS - NEUTRAL/XFMR/SER/SEC**
- 1120-11 FIBERGLASS ARM - PRIMARY**
- 1120-12 XARM BRACE WOOD 26IN SPREAD SGL/DBL**
- 1120-13 XARM BRACE WOOD 60IN SPREAD SGL/DBL**
- 1120-14 BRACE ALLEY ARM - 5'/7'**
- 1120-15A XARMS LD WOOD 8'/10'**
- 1120-15B XARMS LD FIBERGLASS 8'/10'/12'**
- 1120-16A HEAVY DUTY FIBERGLASS DE ARMS**
- 1120-16B HEAVY DUTY STEEL DE ARMS**
- 1120-17 INSULATOR DEADEND - SINGLE**
- 1120-18 INSULATOR DEADEND - DOUBLE**

1120-06
Sheet 1 of 2
Rev: 07/01/20

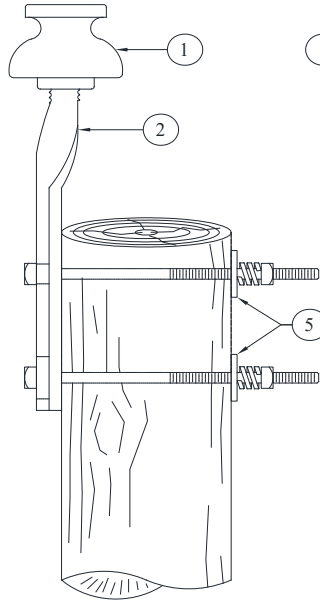
**POLES, HARDWARE, AND FRAMING
HARDWARE
POLE TOP PINS - TANGENT/ANGLE**



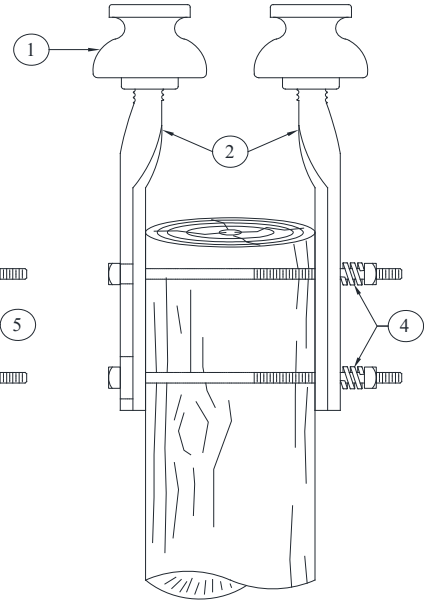
NOTE: TOP HOLE IS NOT USED



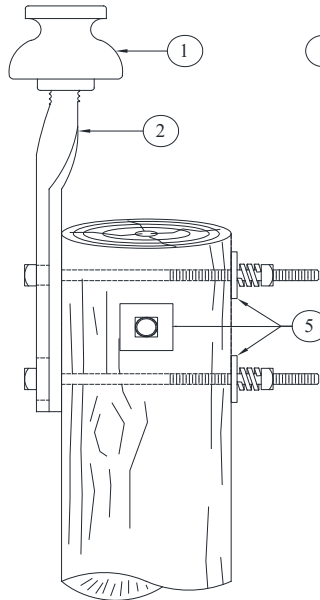
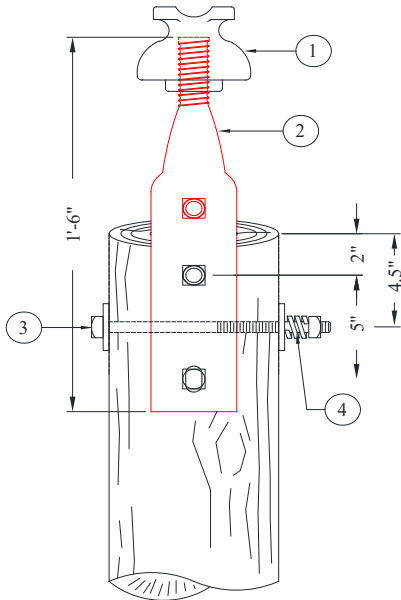
BACK VIEW



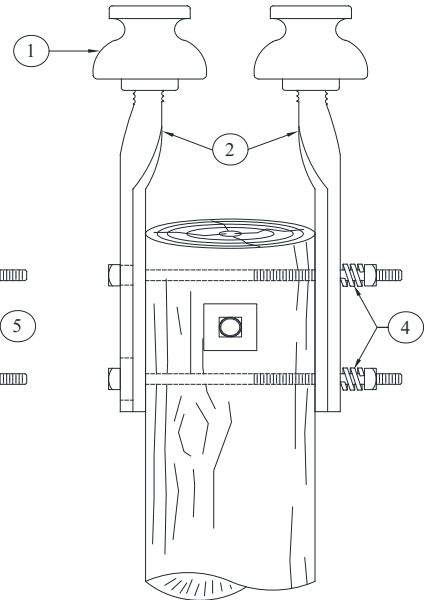
1120-06-01 SINGLE SIDE VIEW
1120-06-02 DOUBLE




1120-06-10 12 IN
1120-06-12 14 IN



1120-06-03 SINGLE
1120-06-04 DOUBLE



1120-06	POLES, HARDWARE, AND FRAMING	
Sheet 2 of 2	HARDWARE	
Rev: 07/01/20	POLE TOP PINS - TANGENT/ANGLE	

CU

CU-ID	CU-REF	CU-DESCRIPTION
--------------	---------------	-----------------------

INSWTPINSGL-TAN	11200601	INSULATOR W/POLE TOP PIN SGL-TANGENT
-----------------	----------	--------------------------------------

ID	PART NUM	PART DESC	QTY	EA	CU-REF
1	0000001236	WASHER COIL SPRING ZINC FOR 5/8 IN BOLT	2	EA	
2	0000001282	PIN POLE TOP 18 IN GALV 1 IN THREAD W/MTG FOR 3-HOLE	1	EA	
3	0000006553	INSULATOR PIN TY 795 MCM RADIO NOISE FREE 12.5 KV	1	EA	
4	0000008419	BOLT MACH SQ HEAD HOT DIP GALV G5 5/8 X 12	2	EA	
5	0000008499	WASHER SQ HOT DIP GALV 2-1/4 IN X 2-1/4 IN X 3/16 IN	2	EA	

INSWTPINDBL-TAN	11200602	INSULATOR W/POLE TOP PIN DBL-TANGENT
-----------------	----------	--------------------------------------

ID	PART NUM	PART DESC	QTY	EA	CU-REF
1	0000001236	WASHER COIL SPRING ZINC FOR 5/8 IN BOLT	2	EA	11200602
2	0000001282	PIN POLE TOP 18 IN GALV 1 IN THREAD W/MTG FOR 3-HOLE	2	EA	11200602
3	0000006553	INSULATOR PIN TY 795 MCM RADIO NOISE FREE 12.5 KV	2	EA	11200602
4	0000008419	BOLT MACH SQ HEAD HOT DIP GALV G5 5/8 X 12	2	EA	11200602

INSWTPINSGL-ANG	11200603	INSULATOR W/POLE TOP PIN SGL-ANGLE
-----------------	----------	------------------------------------

ID	PART NUM	PART DESC	QTY	EA	CU-REF
1	0000001236	WASHER COIL SPRING ZINC FOR 5/8 IN BOLT	3	EA	11200603
2	0000001282	PIN POLE TOP 18 IN GALV 1 IN THREAD W/MTG FOR 3-HOLE	1	EA	11200603
3	0000006553	INSULATOR PIN TY 795 MCM RADIO NOISE FREE 12.5 KV	1	EA	11200603
4	0000008419	BOLT MACH SQ HEAD HOT DIP GALV G5 5/8 X 12	3	EA	11200603
5	0000008499	WASHER SQ HOT DIP GALV 2-1/4 IN X 2-1/4 IN X 3/16 IN	4	EA	11200603

INSWTPINDBL-ANG	11200604	INSULATOR W/POLE TOP PIN DBL-ANGLE
-----------------	----------	------------------------------------

ID	PART NUM	PART DESC	QTY	EA	CU-REF
1	0000001236	WASHER COIL SPRING ZINC FOR 5/8 IN BOLT	3	EA	11200604
2	0000001282	PIN POLE TOP 18 IN GALV 1 IN THREAD W/MTG FOR 3-HOLE	2	EA	11200604
3	0000006553	INSULATOR PIN TY 795 MCM RADIO NOISE FREE 12.5 KV	2	EA	11200604
4	0000008419	BOLT MACH SQ HEAD HOT DIP GALV G5 5/8 X 12	3	EA	11200604
5	0000008499	WASHER SQ HOT DIP GALV 2-1/4 IN X 2-1/4 IN X 3/16 IN	2	EA	11200604

SPLTBLT5/8INW/SQWASHERS	11200610	SPLIT BOLT 5/8 IN WITH SQ WASHERS
-------------------------	----------	-----------------------------------

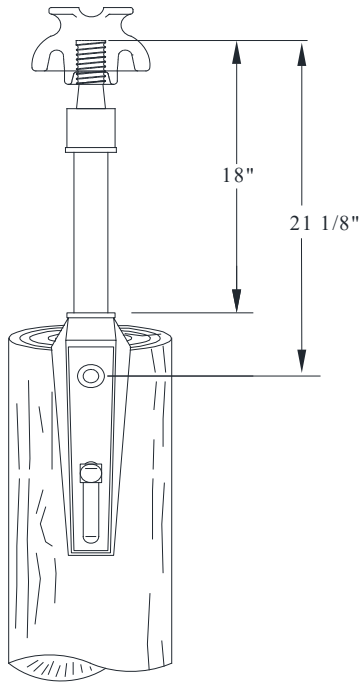
ID	PART NUM	PART DESC	QTY	EA	CU-REF
2	0000001236	WASHER COIL SPRING ZINC FOR 5/8 IN BOLT	1	EA	11200610
1	0000008420	BOLT MACH SQ HEAD HOT DIP GALV G5 5/8 X 14	1	EA	11200610
3	0000008499	WASHER SQ HOT DIP GALV 2-1/4 IN X 2-1/4 IN X 3/16 IN	2	EA	11200610

SPLTBLT3/4W/SQWASHERS	11200612	SPLIT BOLT 3/4 IN WITH SQ WASHERS
-----------------------	----------	-----------------------------------

ID	PART NUM	PART DESC	QTY	EA	CU-REF
2	0000001235	WASHER COIL SPRING ZINC FOR 3/4 IN BOLT	1	EA	11200612
1	0000008430	BOLT MACH SQ HEAD HOT DIP GALV G5 3/4 X 14	1	EA	11200612
3	0000008499	WASHER SQ HOT DIP GALV 2-1/4 IN X 2-1/4 IN X 3/16 IN	2	EA	11200612

1120-07
Sheet 1 of 2
Rev: 07/01/20

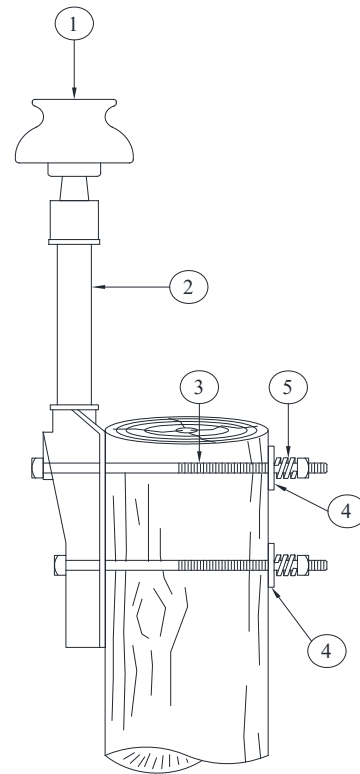
POLES, HARDWARE, AND FRAMING
HARDWARE
POLE TOP PINS - FIBERGLASS



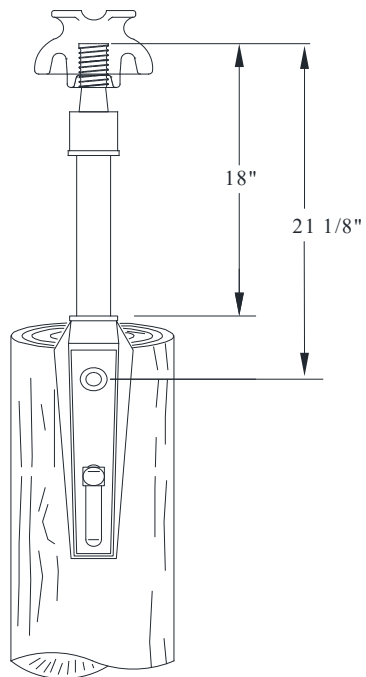
FRONT VIEW

MOUNTING HOLES TO ACCOMMODATE BOTH 6" AND 8" CENTERS

SINGLE
 1120-07-01

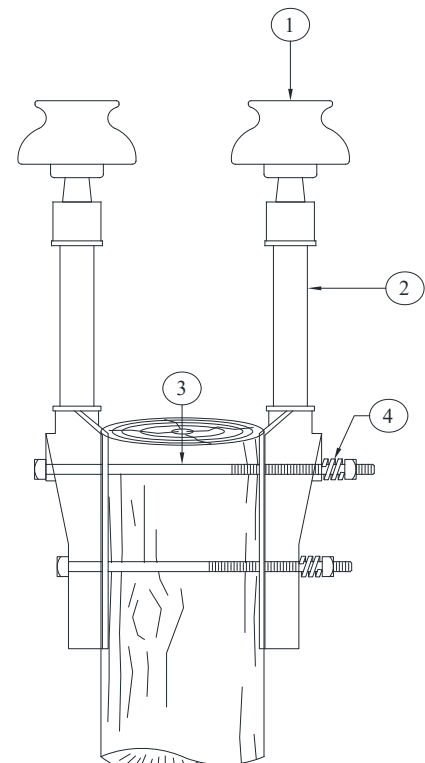


SIDE VIEW



MOUNTING HOLES TO ACCOMMODATE BOTH 6" AND 8" CENTERS

DOUBLE
 1120-07-01



1120-07
Sheet 2 of 2
Rev: 07/01/20

POLES, HARDWARE, AND FRAMING
HARDWARE
POLE TOP PINS - TANGENT/ANGLE



CU

CU-ID CU-REF CU-DESCRIPTION

INSWGPTPINSGL 11200701 INSULATOR W/ FIBERGLASS POLE TOP PIN-SGL

ID	PART NUM	PART DESC	QTY	EA	CU-REF
1	0000001236	WASHER COIL SPRING ZINC FOR 5/8 IN BOLT	2	EA	11200701
2	0000001280	PIN POLE TOP 18IN FIBERGLASS 1IN NYLON THRD 1-1/2IN DIA	1	EA	11200701
3	0000006553	INSULATOR PIN TY 795 MCM RADIO NOISE FREE 12.5 KV	1	EA	11200701
4	0000008420	BOLT MACH SQ HEAD HOT DIP GALV G5 5/8 X 14	2	EA	11200701
5	0000008499	WASHER SQ HOT DIP GALV 2-1/4 IN X 2-1/4 IN X 3/16 IN	2	EA	11200701

INSWGPTPINDBL 11200702 INSULATOR W/ FIBERGLASS POLE TOP PIN-DBL

ID	PART NUM	PART DESC	QTY	EA	CU-REF
1	0000001236	WASHER COIL SPRING ZINC FOR 5/8 IN BOLT	2	EA	11200702
2	0000001280	PIN POLE TOP 18IN FIBERGLASS 1IN NYLON THRD 1-1/2IN DIA	2	EA	11200702
3	0000006553	INSULATOR PIN TY 795 MCM RADIO NOISE FREE 12.5 KV	2	EA	11200702
4	0000008420	BOLT MACH SQ HEAD HOT DIP GALV G5 5/8 X 14	2	EA	11200702
5	0000008499	WASHER SQ HOT DIP GALV 2-1/4 IN X 2-1/4 IN X 3/16 IN	2	EA	11200702

INSWGPTPINSGL-ANG 11200703 INSULATOR W/ FIBERGLASS POLE TOP PIN SGL-ANGLE

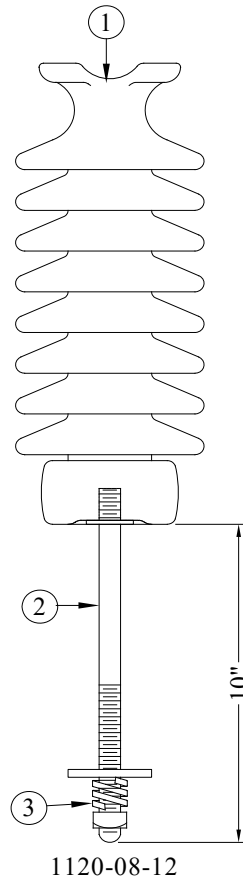
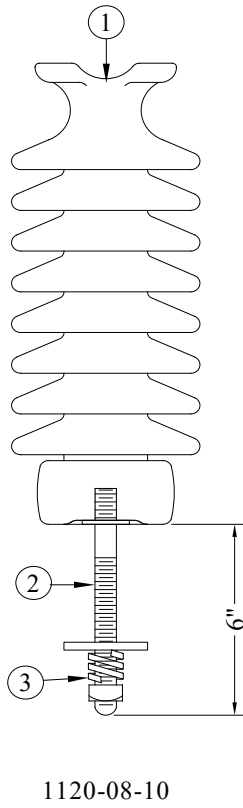
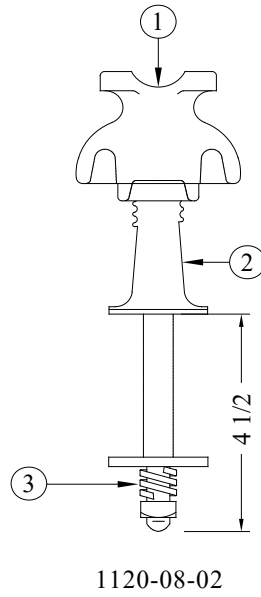
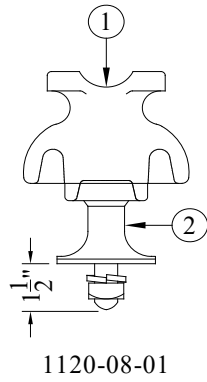
ID	PART NUM	PART DESC	QTY	EA	CU-REF
1	0000001236	WASHER COIL SPRING ZINC FOR 5/8 IN BOLT	3	EA	11200703
2	0000001280	PIN POLE TOP 18IN FIBERGLASS 1IN NYLON THRD 1-1/2IN DIA	1	EA	11200703
3	0000006553	INSULATOR PIN TY 795 MCM RADIO NOISE FREE 12.5 KV	1	EA	11200703
4	0000008420	BOLT MACH SQ HEAD HOT DIP GALV G5 5/8 X 14	3	EA	11200703
5	0000008499	WASHER SQ HOT DIP GALV 2-1/4 IN X 2-1/4 IN X 3/16 IN	4	EA	11200703


INSWGPTPINDBL-ANG 11200704 INSULATOR W/ FIBERGLASS POLE TOP PIN DBL-ANGLE

ID	PART NUM	PART DESC	QTY	EA	CU-REF
1	0000001236	WASHER COIL SPRING ZINC FOR 5/8 IN BOLT	3	EA	11200704
2	0000001280	PIN POLE TOP 18IN FIBERGLASS 1IN NYLON THRD 1-1/2IN DIA	2	EA	11200704
3	0000006553	INSULATOR PIN TY 795 MCM RADIO NOISE FREE 12.5 KV	2	EA	11200704
4	0000008420	BOLT MACH SQ HEAD HOT DIP GALV G5 5/8 X 14	3	EA	11200704
5	0000008499	WASHER SQ HOT DIP GALV 2-1/4 IN X 2-1/4 IN X 3/16 IN	2	EA	11200704

1120-08
Sheet 1 of 2
Rev: 07/01/20

POLES, HARDWARE, AND FRAMING
HARDWARE
INSULATOR PIN-SHORT/LONG SHANK - 15KV AND 48KV



1120-08	POLES, HARDWARE, AND FRAMING HARDWARE INSULATOR PIN-SHORT/LONG SHANK - 15KV AND 48KV	
Sheet 2 of 2		
Rev: 07/01/20		

CU

CU-ID CU-REF CU-DESCRIPTION

INSWSHORTSHANKPIN 11200801 INSULATOR W/SHORT SHANK PIN

ID	PART NUM	PART DESC	QTY		CU-REF
1	0000001278	PIN INSULATOR 1- 1/2 IN SHANK 5/8 IN DIA NYLON THREADS	1	EA	11200801
2	0000006553	INSULATOR PIN TY 795 MCM RADIO NOISE FREE 12.5 KV	1	EA	11200801

INSWLONGSHANKPIN 11200802 INSULATOR W/LONG SHANK PIN

ID	PART NUM	PART DESC	QTY		CU-REF
1	0000001236	WASHER COIL SPRING ZINC FOR 5/8 IN BOLT	1	EA	11200802
2	0000001279	PIN INSULATOR 5-3/4 IN SHANK 5/8 IN DIA NYLON THREADS	1	EA	11200802
3	0000006553	INSULATOR PIN TY 795 MCM RADIO NOISE FREE 12.5 KV	1	EA	11200802

INS46KVW/6INPIN 11200810 INSULATOR, 46KV, WITN 6 IN PIN

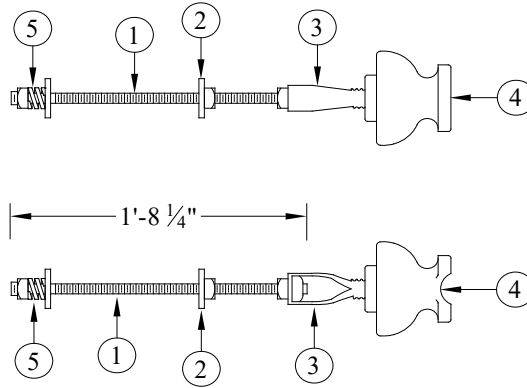
ID	PART NUM	PART DESC	QTY		CU-REF
1	0000000819	STUD MTG LONG SHANK FOR WOOD ARM POST INSULATOR 35KV	1	EA	11200810
2	0000001236	WASHER COIL SPRING ZINC FOR 5/8 IN BOLT	1	EA	11200810
3	0000018073	INSULATOR LINE POST 46KV PORCELAIN F-NECK ANSI57-3 CLS	1	EA	11200810

INS46KVW/10INPIN 11200812 INSULATOR, 46KV WITH 10 IN PIN

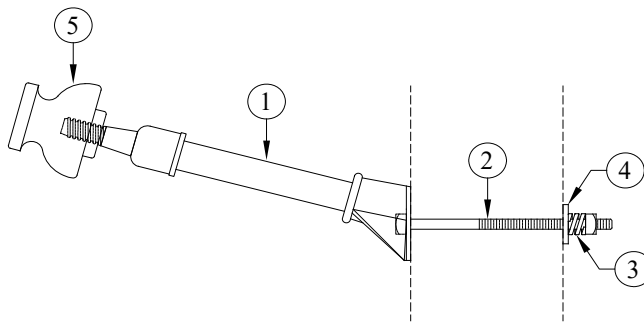
ID	PART NUM	PART DESC	QTY		CU-REF
1	0000001236	WASHER COIL SPRING ZINC FOR 5/8 IN BOLT	1	EA	11200812
2	0000018073	INSULATOR LINE POST 46KV PORCELAIN F-NECK ANSI57-3 CLS	1	EA	11200812
3	0000018074	PIN FOR POST TYPE INSULATOR 10 IN LONG	1	EA	11200812

1120-09
Sheet 1 of 2
Rev: 07/01/20

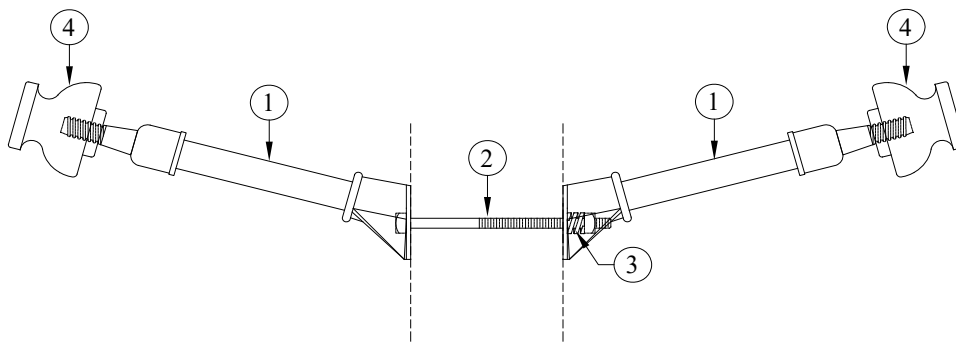
**POLES, HARDWARE, AND FRAMING
HARDWARE
INSULATOR STANDOFF PIN**




ADAPTOR PIN
1120-09-01



SINGLE
1120-09-02



DOUBLE
1120-09-03

1120-09	POLES, HARDWARE, AND FRAMING HARDWARE INSULATOR STANDOFF PIN	
Sheet 2 of 2		
Rev: 07/01/20		

CU

CU-ID	CU-REF	CU-DESCRIPTION
--------------	---------------	-----------------------

INSWADAPTORPIN	11200901	INSULATOR W/ADAPTOR PIN
----------------	----------	-------------------------

ID	PART NUM	PART DESC	QTY	EA	CU-REF
2	0000001236	WASHER COIL SPRING ZINC FOR 5/8 IN BOLT	1	EA	11200901
3	0000006536	PIN ADAPTER FOR 5/8 INCH INSULATOR BOLT	1	EA	11200901
4	0000006553	INSULATOR PIN TY 795 MCM RADIO NOISE FREE 12.5 KV	1	EA	11200901
5	0000008499	WASHER SQ HOT DIP GALV 2- 1/4 IN X 2- 1/4 IN X 3/16 IN	2	EA	11200901
1	0000008686	BOLT DBL ARMING HOT DIP GALV ALL THREAD 5/8 X 14	1	EA	11200901

INSWFGSTFSGL	11200902	INSULATOR W/FIBERGLASS STANDOFF-SGL
--------------	----------	-------------------------------------

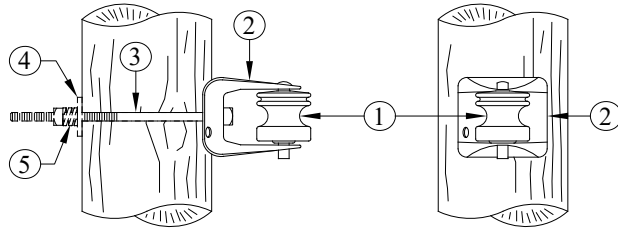
ID	PART NUM	PART DESC	QTY	EA	CU-REF
1	0000001203	BRACKET STNDOFF 10- 1/4IN W/1IN NYLON THRDS CTR PH JMPR	1	EA	11200902
3	0000001236	WASHER COIL SPRING ZINC FOR 5/8 IN BOLT	1	EA	11200902
4	0000006553	INSULATOR PIN TY 795 MCM RADIO NOISE FREE 12.5 KV	1	EA	11200902
2	0000008420	BOLT MACH SQ HEAD HOT DIP GALV G5 5/8 X 14	1	EA	11200902
5	0000008499	WASHER SQ HOT DIP GALV 2- 1/4 IN X 2- 1/4 IN X 3/16 IN	1	EA	11200902

INSWFGSTFDBL	11200903	INSULATOR W/FIBERGLASS STANDOFF-DBL
--------------	----------	-------------------------------------

ID	PART NUM	PART DESC	QTY	EA	CU-REF
1	0000001203	BRACKET STNDOFF 10- 1/4IN W/1IN NYLON THRDS CTR PH JMPR	2	EA	11200903
3	0000001236	WASHER COIL SPRING ZINC FOR 5/8 IN BOLT	1	EA	11200903
4	0000006553	INSULATOR PIN TY 795 MCM RADIO NOISE FREE 12.5 KV	2	EA	11200903
2	0000008420	BOLT MACH SQ HEAD HOT DIP GALV G5 5/8 X 14	1	EA	11200903

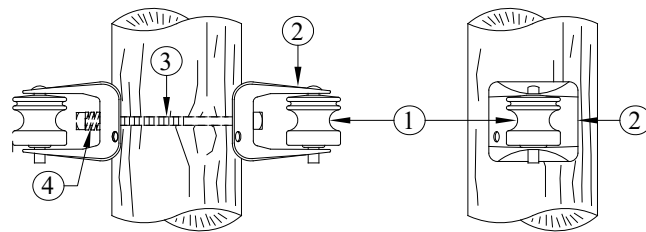
1120-10
Sheet 1 of 3
Rev: 07/01/20

POLES, HARDWARE, AND FRAMING
HARDWARE
RACKS - NEUTRAL/XFMR/SER/SEC



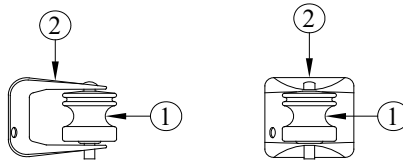
SINGLE RACK & SPOOL

1120-10-01
1120-10-02
1120-10-03



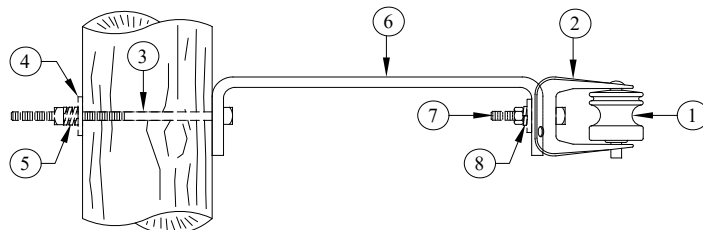
DOUBLE RACK & SPOOL

1120-10-07
1120-10-08
1120-10-09



RACK & SPOOL


1120-10-15



STAND-OFF BRACKET

1120-10-20

NOTE: CALL FOR EXTRA PIN FOR 1 POINT RACK AS NEEDED

1120-10	POLES, HARDWARE, AND FRAMING HARDWARE RACKS - NEUTRAL/XFMR/SER/SEC	
Sheet 2 of 3		
Rev: 07/01/20		

CU

CU-ID CU-REF CU-DESCRIPTION

BRKTRK1P10INSGL 11201001 BRKT RACK 1 POINT 10 IN-SGL

ID	PART NUM	PART DESC	QTY	EA	CU-REF
1	0000017301	INSULATOR SPOOL 3 INCH POLYMER	1	EA	11201001
2	0000006632	RACK PULLEY TY 1 POINT	1	EA	11201001
3	0000008418	BOLT MACH SQ HEAD HOT DIP GALV G5 5/8 X 10	1	EA	11201001
4	0000008499	WASHER SQ HOT DIP GALV 2-1/4 IN X 2-1/4 IN X 3/16 IN	1	EA	11201001
5	0000001236	WASHER COIL SPRING ZINC FOR 5/8 IN BOLT	1	EA	11201001
6	0000006606	PIN FOR 1 POINT RACK AND SPOOL (PIN COMES WITH SPOOL).	1	EA	11201001

BRKTRK1P12INSGL 11201002 BRKT RACK 1 POINT 12 IN-SGL

ID	PART NUM	PART DESC	QTY	EA	CU-REF
1	0000017301	INSULATOR SPOOL 3 INCH POLYMER	1	EA	11201002
2	0000006632	RACK PULLEY TY 1 POINT	1	EA	11201002
3	0000008419	BOLT MACH SQ HEAD HOT DIP GALV G5 5/8 X 12	1	EA	11201002
4	0000008499	WASHER SQ HOT DIP GALV 2-1/4 IN X 2-1/4 IN X 3/16 IN	1	EA	11201002
5	0000001236	WASHER COIL SPRING ZINC FOR 5/8 IN BOLT	1	EA	11201002

BRKTRK1P14INSGL 11201003 BRKT RACK 1 POINT 14 IN-SGL


ID	PART NUM	PART DESC	QTY	EA	CU-REF
1	0000017301	INSULATOR SPOOL 3 INCH POLYMER	1	EA	11201003
2	0000006632	RACK PULLEY TY 1 POINT	1	EA	11201003
3	0000008420	BOLT MACH SQ HEAD HOT DIP GALV G5 5/8 X 14	1	EA	11201003
4	0000008499	WASHER SQ HOT DIP GALV 2-1/4 IN X 2-1/4 IN X 3/16 IN	1	EA	11201003
5	0000001236	WASHER COIL SPRING ZINC FOR 5/8 IN BOLT	1	EA	11201003

BRKTRK1P10INDBL 11201007 BRKT RACK 1 POINT 10 IN-DBL

ID	PART NUM	PART DESC	QTY	EA	CU-REF
1	0000017301	INSULATOR SPOOL 3 INCH POLYMER	2	EA	11201007
2	0000006632	RACK PULLEY TY 1 POINT	2	EA	11201007
3	0000008418	BOLT MACH SQ HEAD HOT DIP GALV G5 5/8 X 10	1	EA	11201007
4	0000001236	WASHER COIL SPRING ZINC FOR 5/8 IN BOLT	1	EA	11201007

BRKTRK1P12INDBL 11201008 BRKT RACK 1 POINT 12 IN-DBL

ID	PART NUM	PART DESC	QTY	EA	CU-REF
1	0000017301	INSULATOR SPOOL 3 INCH POLYMER	2	EA	11201008
2	0000006632	RACK PULLEY TY 1 POINT	2	EA	11201008
3	0000008419	BOLT MACH SQ HEAD HOT DIP GALV G5 5/8 X 12	1	EA	11201008
4	0000001236	WASHER COIL SPRING ZINC FOR 5/8 IN BOLT	1	EA	11201008

1120-10	POLES, HARDWARE, AND FRAMING HARDWARE RACKS - NEUTRAL/XFMR/SER/SEC	
Sheet 3 of 3		
Rev: 07/01/20		

CU-ID	CU-REF	CU-DESCRIPTION
--------------	---------------	-----------------------

BRKTRK1P14INDBL	11201009	BRKT RACK 1 POINT 14 IN-DBL
-----------------	----------	-----------------------------

ID	PART NUM	PART DESC	QTY	EA	CU-REF
1	0000017301	INSULATOR SPOOL 3 INCH POLYMER	2	EA	11201009
2	0000006632	RACK PULLEY TY 1 POINT	2	EA	11201009
3	0000008420	BOLT MACH SQ HEAD HOT DIP GALV G5 5/8 X 14	1	EA	11201009
4	0000001236	WASHER COIL SPRING ZINC FOR 5/8 IN BOLT	1	EA	11201009

BRKTRK1PBCKUP	11201015	BRKT RACK 1 POINT BACK UP
---------------	----------	---------------------------

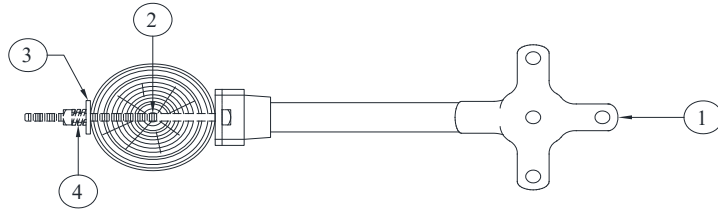
ID	PART NUM	PART DESC	QTY	EA	CU-REF
1	0000017301	INSULATOR SPOOL 3 INCH POLYMER	1	EA	11201015
2	0000006632	RACK PULLEY TY 1 POINT	1	EA	11201015

BRKTRK1PW/EXT	11201020	BRKT RACK 1 POINT W/EXTENSION
---------------	----------	-------------------------------

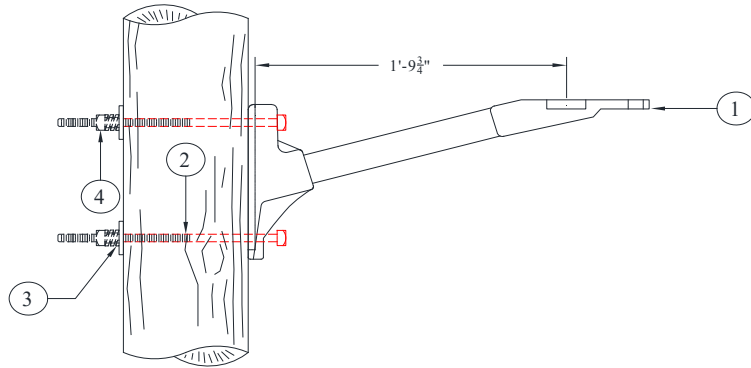
ID	PART NUM	PART DESC	QTY	EA	CU-REF
1	0000017301	INSULATOR SPOOL 3 INCH POLYMER	1	EA	11201020
2	0000006632	RACK PULLEY TY 1 POINT	1	EA	11201020
3	0000008420	BOLT MACH SQ HEAD HOT DIP GALV G5 5/8 X 14	1	EA	11201020
4	0000008499	WASHER SQ HOT DIP GALV 2-1/4 IN X 2-1/4 IN X 3/16 IN	1	EA	11201020
5	0000001236	WASHER COIL SPRING ZINC FOR 5/8 IN BOLT	1	EA	11201020
6	0000006607	EXTENSION BRACKET SECONDARY RACK	1	EA	11201020
7	0000008417	BOLT MACH SQ HEAD HOT DIP GALV G5 5/8 X 1-1/2	1	EA	11201020
8	0000008481	WASHER SPLIT LOCK GALV 5/8 INCH	1	EA	11201020

1120-11
Sheet 1 of 2
Rev: 07/01/20

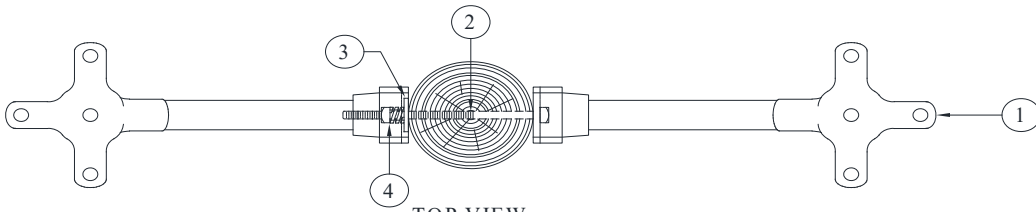
**POLES, HARDWARE, AND FRAMING
HARDWARE
FIBERGLASS ARM - PRIMARY**



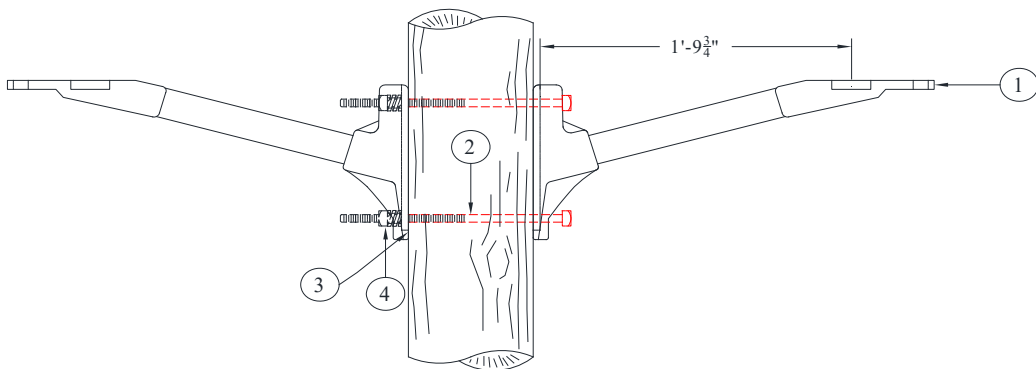
TOP VIEW




SIDE VIEW
1120-11-01 SINGLE



TOP VIEW



SIDE VIEW
1120-11-02 DOUBLE

1120-11	POLES, HARDWARE, AND FRAMING HARDWARE FIBERGLASS ARM - PRIMARY	
Sheet 2 of 2		
Rev: 07/01/20		

CU

CU-ID	CU-REF	CU-DESCRIPTION
--------------	---------------	-----------------------

BRKT3EARFG18INSGL	11201101	BRKT 3 EAR FG 18 IN-SGL
-------------------	----------	-------------------------

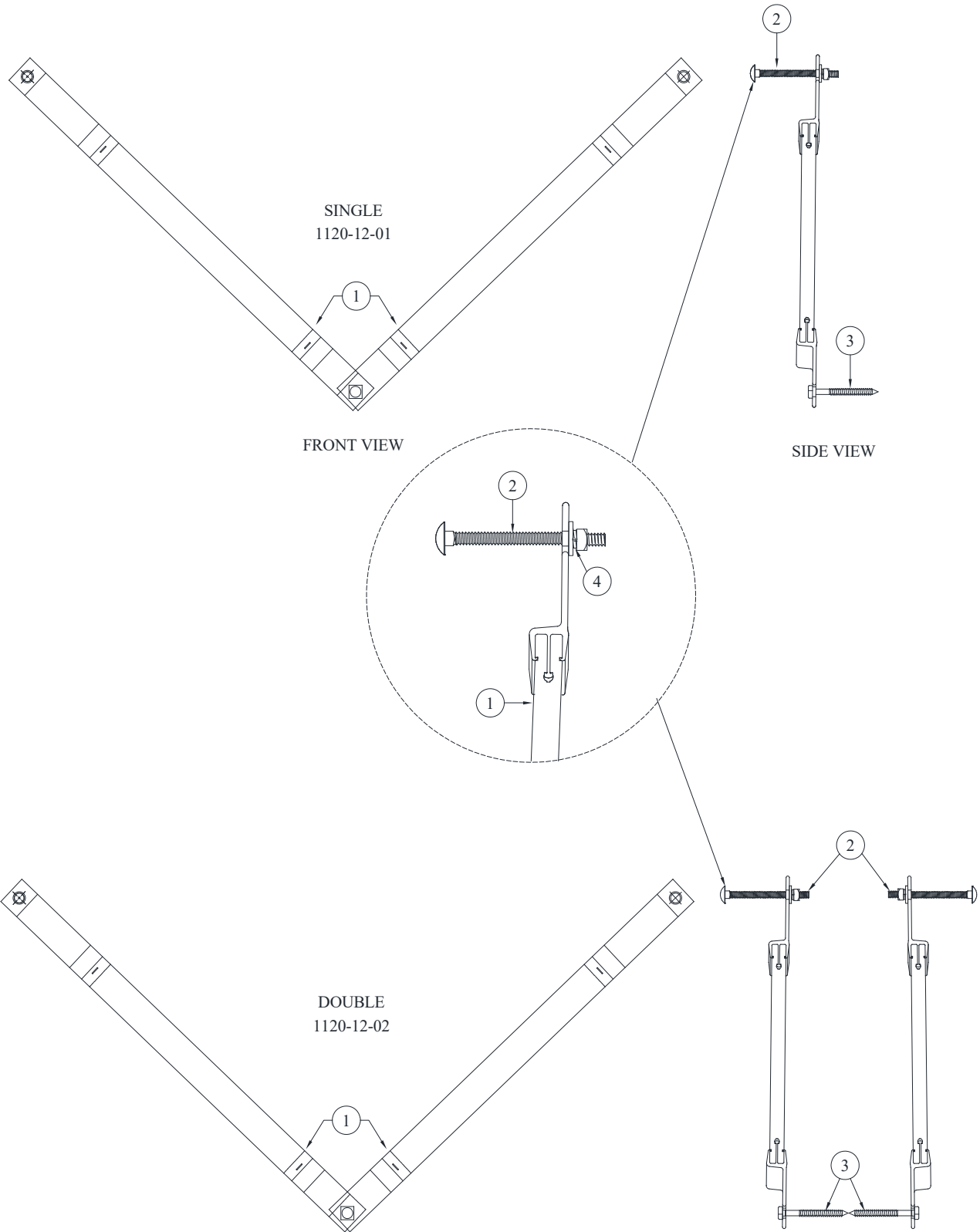
ID	PART NUM	PART DESC	QTY	EA	CU-REF
1	0000001195	BRACKET THREE EAR FBRGS 18IN	1	EA	11201101
2	0000001236	WASHER COIL SPRING ZINC FOR 5/8 IN BOLT	2	EA	11201101
3	0000008419	BOLT MACH SQ HEAD HOT DIP GALV G5 5/8 X 12	2	EA	11201101
4	0000008499	WASHER SQ HOT DIP GALV 2-1/4 IN X 2-1/4 IN X 3/16 IN	2	EA	11201101


BRKT3EARFG18INDBL	11201102	BRKT 3 EAR FG 18 IN-DBL
-------------------	----------	-------------------------

ID	PART NUM	PART DESC	QTY	EA	CU-REF
1	0000001195	BRACKET THREE EAR FBRGS 18IN	2	EA	11201102
2	0000001236	WASHER COIL SPRING ZINC FOR 5/8 IN BOLT	2	EA	11201102
3	0000008420	BOLT MACH SQ HEAD HOT DIP GALV G5 5/8 X 14	2	EA	11201102

1120-12
Sheet 1 of 2
Rev: 07/01/20

**POLES, HARDWARE, AND FRAMING
HARDWARE
XARM BRACE WOOD 26IN SPREAD SGL/DBL**



1120-12	POLES, HARDWARE, AND FRAMING HARDWARE XARM BRACE WOOD 26IN SPREAD SGL/DBL	
Sheet 2 of 2		
Rev: 07/01/20		

CU

CU-ID	CU-REF	CU-DESCRIPTION
--------------	---------------	-----------------------

WDBRACE26INSGL8FTXARM	11201201	WOOD BRACE 26 IN FOR SGL 8 FT XARM
-----------------------	----------	------------------------------------

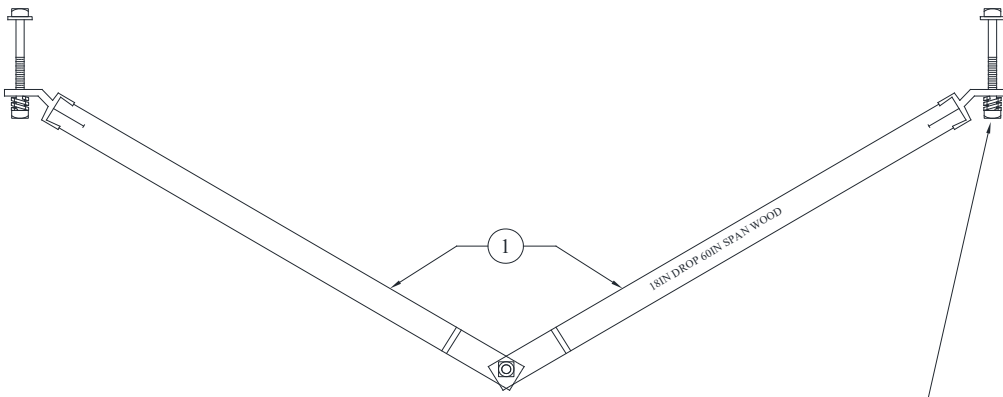
ID	PART NUM	PART DESC	QTY	EA	CU-REF
1	000000870	BRACE CROSS ARM WOOD 26 INCH FOR 8FT CROSS ARMS	1	EA	11201201
2	0000008437	BOLT CARRIAGE HOT DIP GALV G2CT 3/8 X 4	2	EA	11201201
3	0000008443	BOLT LAG HOT DIP GALV FETTER DRIVE G5CT 1/2 X 4	1	EA	11201201
4	0000008492	WASHER SPLIT LOCK ZINC 3/8	2	EA	11201201

WDBRACE26INDBL8FTXARM	11201202	WOOD BRACE 26 IN FOR DBL 8 FT XARM
-----------------------	----------	------------------------------------

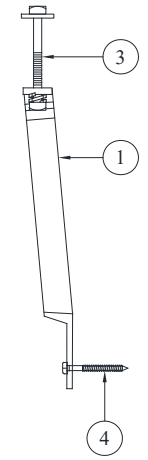
ID	PART NUM	PART DESC	QTY	EA	CU-REF
1	000000870	BRACE CROSS ARM WOOD 26 INCH FOR 8FT CROSS ARMS	2	EA	11201202
2	0000008437	BOLT CARRIAGE HOT DIP GALV G2CT 3/8 X 4	4	EA	11201202
3	0000008443	BOLT LAG HOT DIP GALV FETTER DRIVE G5CT 1/2 X 4	2	EA	11201202
4	0000008492	WASHER SPLIT LOCK ZINC 3/8	4	EA	11201202

1120-13
Sheet 1 of 2
Rev: 07/01/20

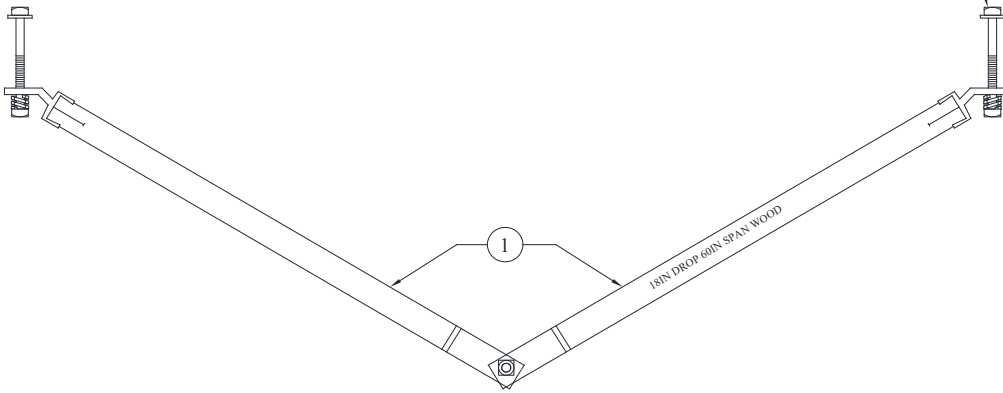
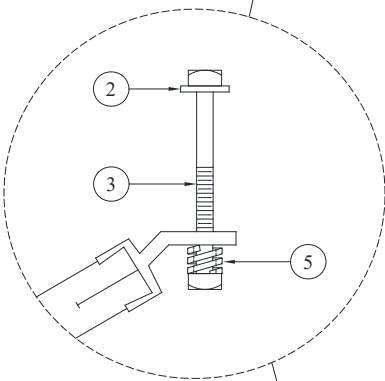
**POLES, HARDWARE, AND FRAMING
HARDWARE
XARM BRACE WOOD 60IN SPREAD SGL/DBL**



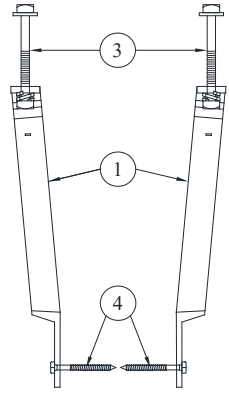
**SINGLE
1120-13-01
FRONT VIEW**




SIDE VIEW



**DOUBLE
1120-13-02**



1120-13	POLES, HARDWARE, AND FRAMING HARDWARE XARM BRACE WOOD 60IN SPREAD SGL/DBL	
Sheet 2 of 2		
Rev: 07/01/20		

CU

CU-ID	CU-REF	CU-DESCRIPTION
--------------	---------------	-----------------------

WDBRACE60INSG10FTXARM	11201301	WOOD BRACE 60 IN FOR SGL 10 FT XARM
-----------------------	----------	-------------------------------------

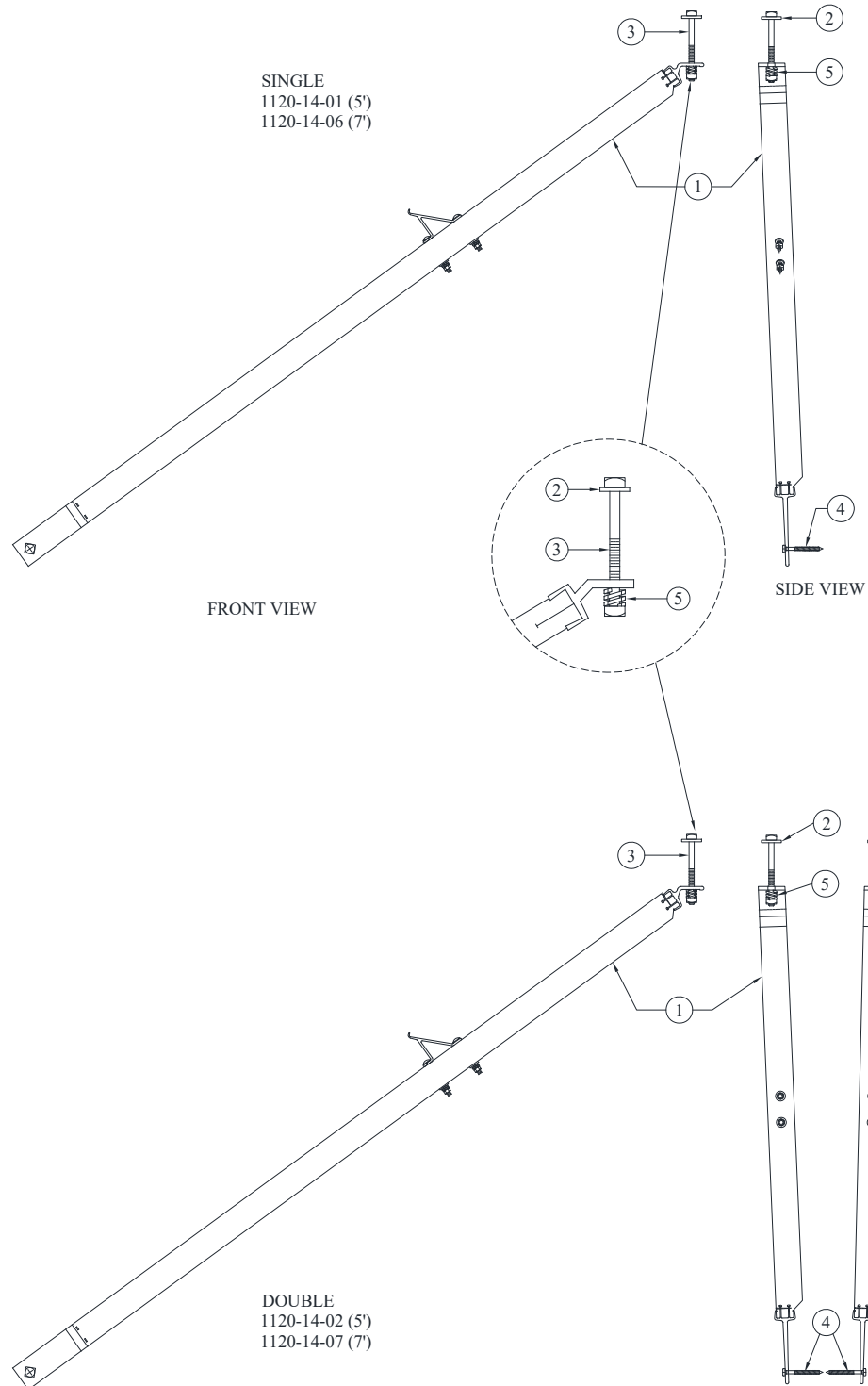
ID	PART NUM	PART DESC	QTY	EA	CU-REF
1	000000871	BRACE CROSS ARM WOOD 60 INCH SPAN FOR 10FT CROSSARM	1	EA	11201301
2	0000001234	WASHER COIL SPRING ZINC FOR 1/2 IN BOLT	2	EA	11201301
3	0000008413	BOLT MACH SQ HEAD HOT DIP GALV G5 1/2 X 6	2	EA	11201301
4	0000008443	BOLT LAG HOT DIP GALV FETTER DRIVE G5CT 1/2 X 4	1	EA	11201301
5	0000008494	WASHER ROUND HOT DIP GALV 1/2 INCH	2	EA	11201301


WDBRACE60INDBL10FTXARM	11201302	WOOD BRACE 60 IN FOR DBL 10 FT XARM
------------------------	----------	-------------------------------------

ID	PART NUM	PART DESC	QTY	EA	CU-REF
1	000000871	BRACE CROSS ARM WOOD 60 INCH SPAN FOR 10FT CROSSARM	2	EA	11201302
2	0000001234	WASHER COIL SPRING ZINC FOR 1/2 IN BOLT	4	EA	11201302
3	0000008413	BOLT MACH SQ HEAD HOT DIP GALV G5 1/2 X 6	4	EA	11201302
4	0000008443	BOLT LAG HOT DIP GALV FETTER DRIVE G5CT 1/2 X 4	2	EA	11201302
5	0000008494	WASHER ROUND HOT DIP GALV 1/2 INCH	4	EA	11201302

1120-14
Sheet 1 of 2
Rev: 07/01/20

POLES, HARDWARE, AND FRAMING
HARDWARE
BRACE ALLEY ARM - 5'/7'



1120-14	POLES, HARDWARE, AND FRAMING HARDWARE BRACE ALLEY ARM - 5'7'	
Sheet 2 of 2		
Rev: 07/01/20		

CU

CU-ID	CU-REF	CU-DESCRIPTION
--------------	---------------	-----------------------

WDBRACE5FTSGL8FTAA	11201401	WOOD BRACE 5 FT FOR SGL 8 FT ALLEY ARM
--------------------	----------	--

ID	PART NUM	PART DESC	QTY	EA	CU-REF
1	0000001200	BRACE WOOD ALLEY ARM 5 FT REVERSIBLE	1	EA	11201401
2	0000001234	WASHER COIL SPRING ZINC FOR 1/2 IN BOLT	1	EA	11201401
3	0000008413	BOLT MACH SQ HEAD HOT DIP GALV G5 1/2 X 6	1	EA	11201401
4	0000008443	BOLT LAG HOT DIP GALV FETTER DRIVE G5CT 1/2 X 4	1	EA	11201401
5	0000008494	WASHER ROUND HOT DIP GALV 1/2 INCH	1	EA	11201401

WDBRACE5FTDBL8FTAA	11201402	WOOD BRACE 5 FT FOR DBL 8 FT ALLEY ARM
--------------------	----------	--

ID	PART NUM	PART DESC	QTY	EA	CU-REF
1	0000001200	BRACE WOOD ALLEY ARM 5 FT REVERSIBLE	2	EA	11201402
2	0000001234	WASHER COIL SPRING ZINC FOR 1/2 IN BOLT	2	EA	11201402
3	0000008413	BOLT MACH SQ HEAD HOT DIP GALV G5 1/2 X 6	2	EA	11201402
4	0000008443	BOLT LAG HOT DIP GALV FETTER DRIVE G5CT 1/2 X 4	2	EA	11201402
5	0000008494	WASHER ROUND HOT DIP GALV 1/2 INCH	2	EA	11201402

WDBRACE7FTSGL10FTAA	11201406	WOOD BRACE 7 FT FOR SGL 10 FT ALLEY ARM
---------------------	----------	---

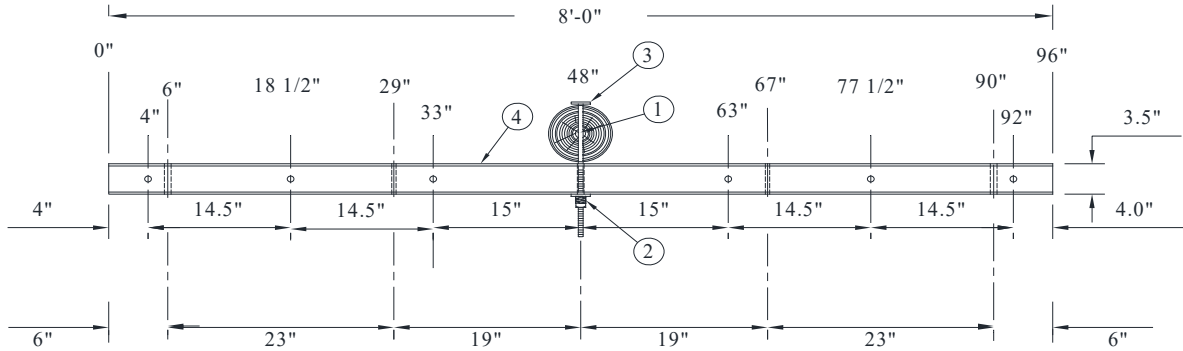
ID	PART NUM	PART DESC	QTY	EA	CU-REF
1	0000001201	BRACE WOOD ALLEY 7 FT REVERSIBLE	1	EA	11201406
2	0000001234	WASHER COIL SPRING ZINC FOR 1/2 IN BOLT	1	EA	11201406
3	0000008413	BOLT MACH SQ HEAD HOT DIP GALV G5 1/2 X 6	1	EA	11201406
4	0000008443	BOLT LAG HOT DIP GALV FETTER DRIVE G5CT 1/2 X 4	1	EA	11201406
5	0000008494	WASHER ROUND HOT DIP GALV 1/2 INCH	1	EA	11201406

WDBRACE7FTDBL10FTAA	11201407	WOOD BRACE 7 FT FOR DBL 10 FT ALLEY ARM
---------------------	----------	---

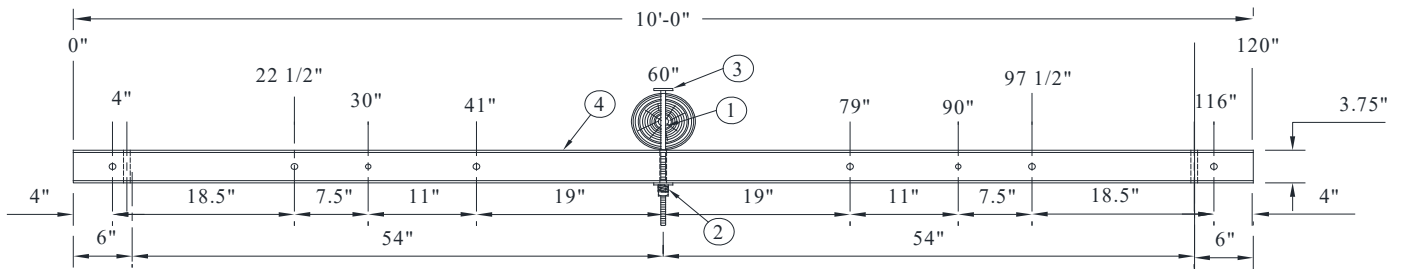
ID	PART NUM	PART DESC	QTY	EA	CU-REF
1	0000001201	BRACE WOOD ALLEY 7 FT REVERSIBLE	2	EA	11201407
2	0000001234	WASHER COIL SPRING ZINC FOR 1/2 IN BOLT	2	EA	11201407
3	0000008413	BOLT MACH SQ HEAD HOT DIP GALV G5 1/2 X 6	2	EA	11201407
4	0000008443	BOLT LAG HOT DIP GALV FETTER DRIVE G5CT 1/2 X 4	2	EA	11201407
5	0000008494	WASHER ROUND HOT DIP GALV 1/2 INCH	2	EA	11201407

1120-15A
Sheet 1 of 4
Rev: 07/01/20

POLES, HARDWARE, AND FRAMING
HARDWARE
XARMS LD WOOD 8'/10'



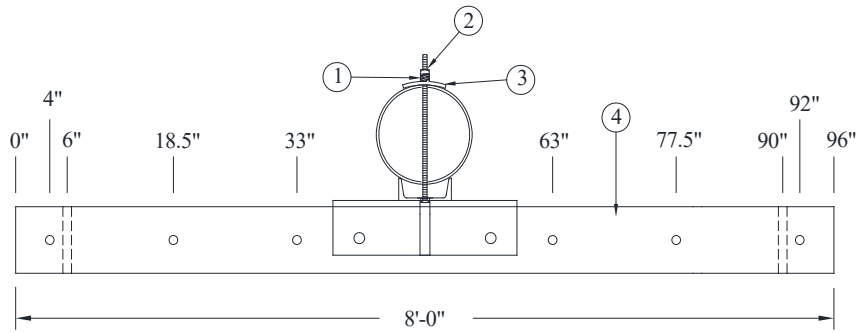
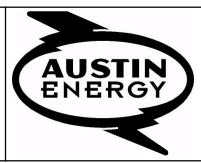
1120-15-1 SINGLE WOOD-8'
 1120-15-2 DOUBLE WOOD-8'



1120-15-3 SINGLE WOOD-10'
 1120-15-4 DOUBLE WOOD-10'

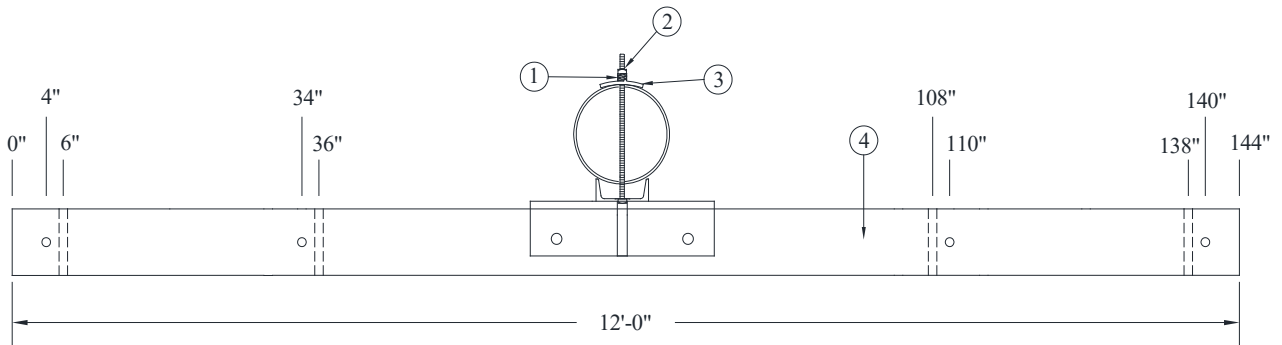
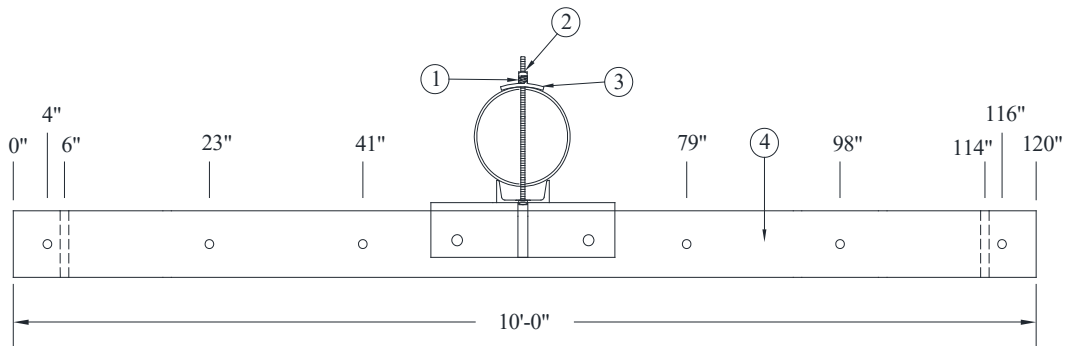
1120-15B
Sheet 2 of 4
Rev: 07/01/20


POLES, HARDWARE, AND FRAMING
HARDWARE
XARMS LD FIBERGLASS 8'/10'/12'



SINGLE FIBERGLASS
1120-15-06 8FT
1120-15-08 10FT
1120-15-10 12FT

DOUBLE FIBERGLASS
1120-15-07 8FT
1120-15-09 10FT
1120-15-12 12FT



1120-15B	POLES, HARDWARE, AND FRAMING HARDWARE XARMS LD FIBERGLASS 8'/10'/12'	
Sheet 4 of 4		
Rev: 07/01/20		

CU-ID	CU-REF	CU-DESCRIPTION
--------------	---------------	-----------------------

ARMFGLDDBL8FT	11201507	ARM FIBERGLASS LD DBL 8 FT
---------------	----------	----------------------------

ID	PART NUM	PART DESC	QTY	EA	CU-REF
1	0000001236	WASHER COIL SPRING ZINC FOR 5/8 IN BOLT	6	EA	11201507
2	0000008499	WASHER SQ HOT DIP GALV 2-1/4 IN X 2-1/4 IN X 3/16 IN	10	EA	11201507
3	0000008690	BOLT DBL ARMING HOT DIP GALV ALL THREAD 5/8 X 22	3	EA	11201507
4	0000018198	CROSSARM TANGENT 8FT FIBERGLASS GRAY	2	EA	11201507

ARMFGLDSGL10FT	11201508	ARM FIBERGLASS LD SGL 10 FT
----------------	----------	-----------------------------

ID	PART NUM	PART DESC	QTY	EA	CU-REF
1	0000001236	WASHER COIL SPRING ZINC FOR 5/8 IN BOLT	1	EA	11201508
2	0000008420	BOLT MACH SQ HEAD HOT DIP GALV G5 5/8 X 14	1	EA	11201508
3	0000008499	WASHER SQ HOT DIP GALV 2-1/4 IN X 2-1/4 IN X 3/16 IN	2	EA	11201508
4	0000018197	CROSSARM TANGENT 10FT FIBERGLASS GRAY	1	EA	11201508

ARMFGLDDBL10FT	11201509	ARM FIBERGLASS LD DBL 10 FT
----------------	----------	-----------------------------

ID	PART NUM	PART DESC	QTY	EA	CU-REF
1	0000001236	WASHER COIL SPRING ZINC FOR 5/8 IN BOLT	6	EA	11201509
2	0000008499	WASHER SQ HOT DIP GALV 2-1/4 IN X 2-1/4 IN X 3/16 IN	10	EA	11201509
3	0000008690	BOLT DBL ARMING HOT DIP GALV ALL THREAD 5/8 X 22	3	EA	11201509
4	0000018197	CROSSARM TANGENT 10FT FIBERGLASS GRAY	2	EA	11201509

ARMFGSGL12FT	11201510	ARM FIBERGLASS LD SGL 12 FT
--------------	----------	-----------------------------

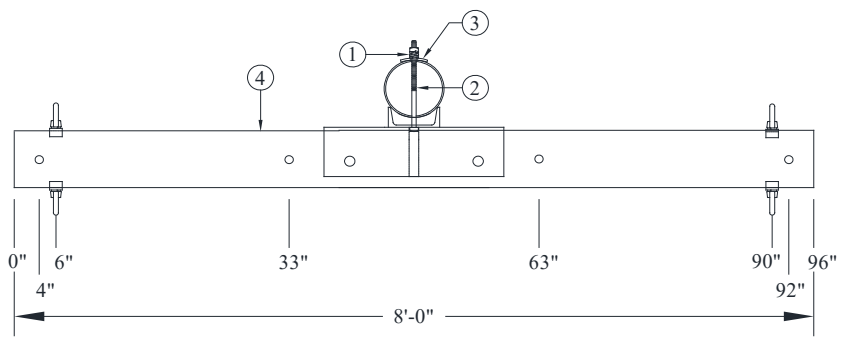
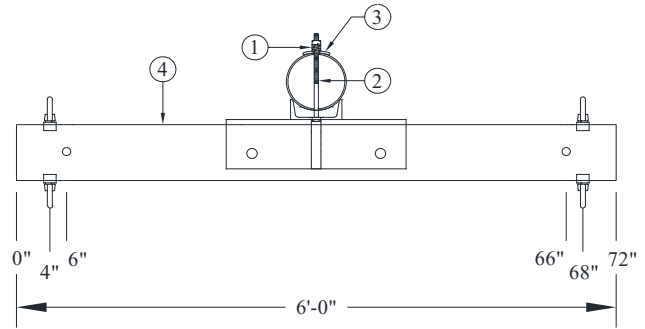
ID	PART NUM	PART DESC	QTY	EA	CU-REF
1	0000001235	WASHER COIL SPRING ZINC FOR 3/4 IN BOLT	2	EA	11201510
2	0000008499	WASHER SQ HOT DIP GALV 2-1/4 IN X 2-1/4 IN X 3/16 IN	2	EA	11201510
3	0000008694	BOLT DBL ARMING HOT DIP GALV ALL THREAD 3/4 X 32	2	EA	11201510
4	0000018072	CROSSARM TANGENT 12 FT FIBERGLASS GRAY	1	EA	11201510

ARMFGDBL12FT	11201512	ARM FIBERGLASS LD DBL 12 FT
--------------	----------	-----------------------------

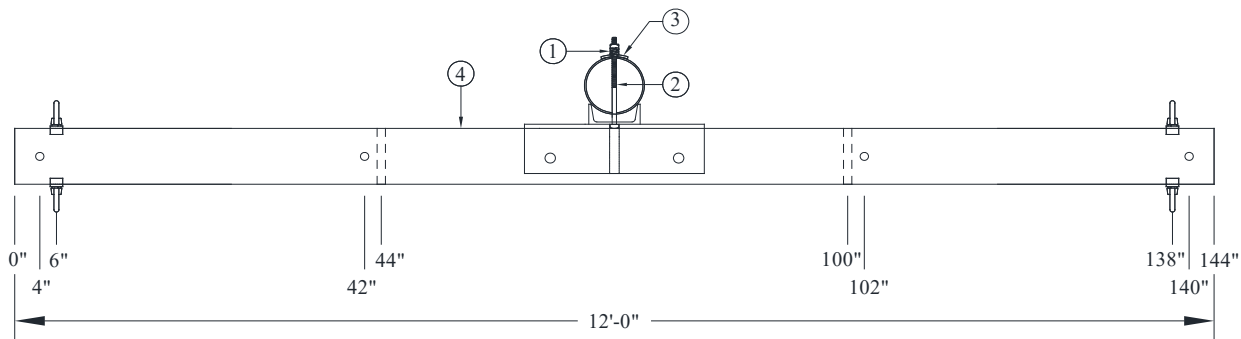
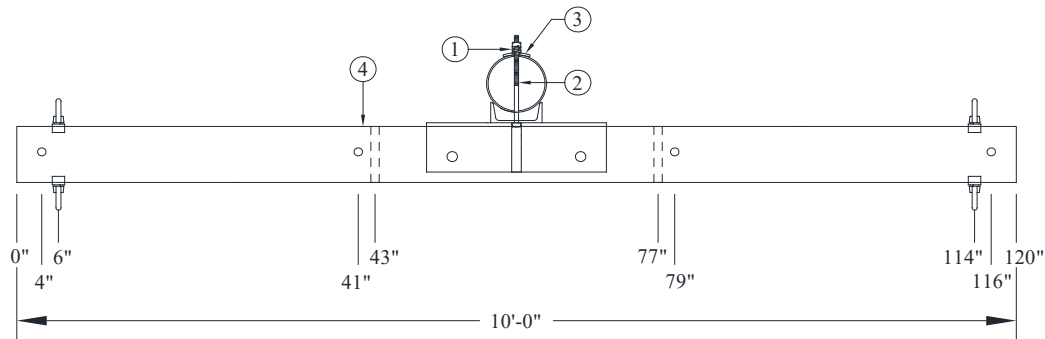
ID	PART NUM	PART DESC	QTY	EA	CU-REF
1	0000001235	WASHER COIL SPRING ZINC FOR 3/4 IN BOLT	2	EA	11201512
2	0000008499	WASHER SQ HOT DIP GALV 2-1/4 IN X 2-1/4 IN X 3/16 IN	4	EA	11201512
3	0000008694	BOLT DBL ARMING HOT DIP GALV ALL THREAD 3/4 X 32	2	EA	11201512
4	0000018072	CROSSARM TANGENT 12 FT FIBERGLASS GRAY	2	EA	11201512

1120-16A
Sheet 1 of 4
Rev: 07/01/20

POLES, HARDWARE, AND FRAMING
HARDWARE
HEAVY DUTY FIBERGLASS DE ARMS

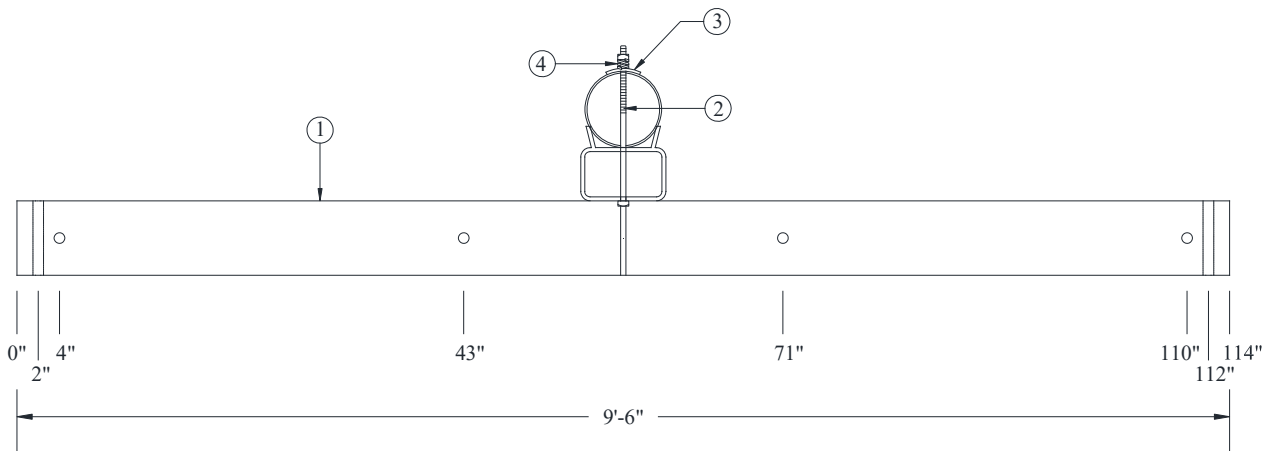
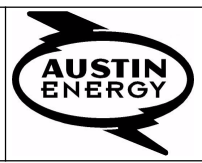


FIBERGLASS
1120-16-10
1120-16-11
1120-16-12
1120-16-15



1120-16B
Sheet 1 of 2
Rev: 07/01/20

POLES, HARDWARE, AND FRAMING
HARDWARE
HEAVY DUTY STEEL DE ARMS



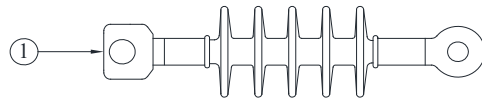
STEEL

1120-16-20

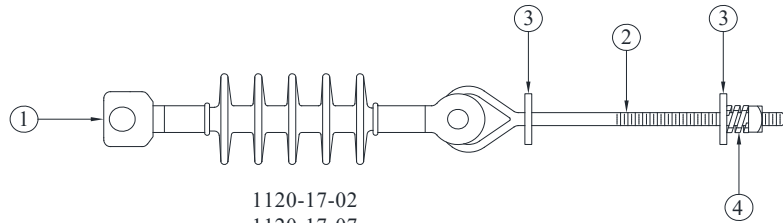
**NOTE: THIS IS PRIMARILY USED IN
UNDERBUILD FRAMING.**

1120-17
Sheet 1 of 3
Rev: 07/01/20

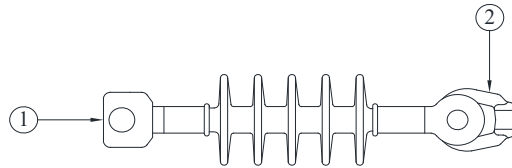
POLES, HARDWARE, AND FRAMING
HARDWARE
INSULATOR DEADEND - SINGLE



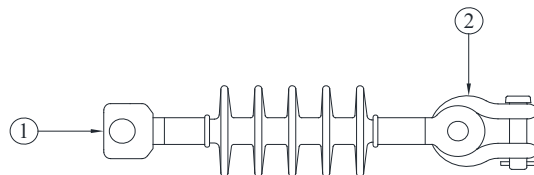
1120-17-01



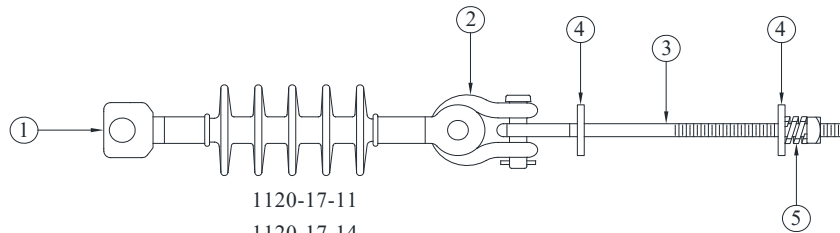
1120-17-02
1120-17-07



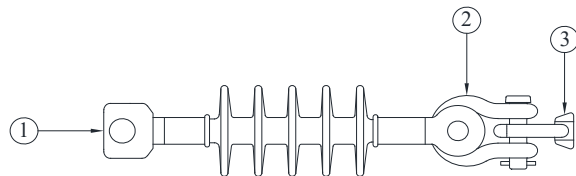
1120-17-03
1120-17-04




1120-17-10



1120-17-11
1120-17-14



1120-17-12
1120-17-13

1120-17	POLES, HARDWARE, AND FRAMING HARDWARE INSULATOR DEADEND - SINGLE	
Sheet 3 of 3		
Rev: 07/01/20		

CU-ID	CU-REF	CU-DESCRIPTION
--------------	---------------	-----------------------

INSDESGL5/8EYENUT/SHK	11201712	INSULATOR DE SGL W/5/8" EYENUT/SHACKLE
-----------------------	----------	--

ID	PART NUM	PART DESC	QTY	EA	CU-REF
1	000000820	INSULATOR DEADEND POLYMER 15 KV	1	EA	11201712
2	0000006509	SHACKLE ANCHOR GALV 25000 LBS	1	EA	11201712
3	0000008470	NUT EYE GALV 5/8 INCH	1	EA	11201712

INSDESGL3/4EYENUT/SHK	11201713	INSULATOR DE SGL W/3/4" EYENUT/SHACKLE
-----------------------	----------	--

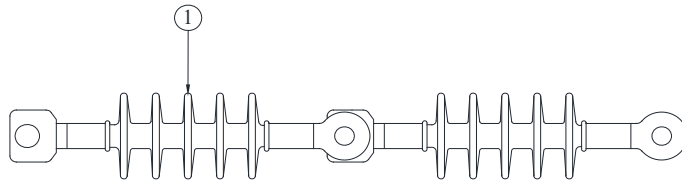
ID	PART NUM	PART DESC	QTY	EA	CU-REF
1	000000820	INSULATOR DEADEND POLYMER 15 KV	1	EA	11201713
2	0000006509	SHACKLE ANCHOR GALV 25000 LBS	1	EA	11201713
3	0000008471	NUT EYE GALV 3/4 INCH	1	EA	11201713

INSDESGL3/4EYEB/SHK	11201714	INSULATOR DE SGL W/3/4" EYEBOLT/SHACKLE
---------------------	----------	---

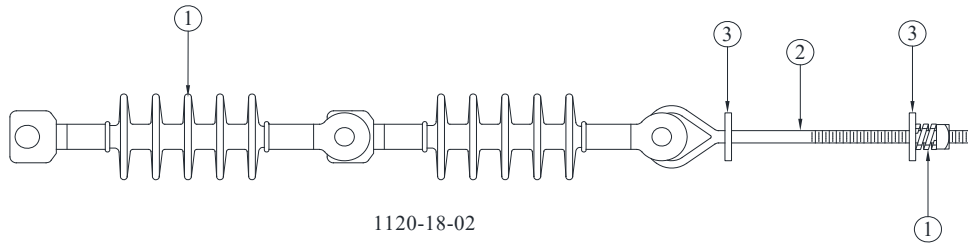
ID	PART NUM	PART DESC	QTY	EA	CU-REF
1	000000820	INSULATOR DEADEND POLYMER 15 KV	1	EA	11201714
2	0000001235	WASHER COIL SPRING ZINC FOR 3/4 IN BOLT	1	EA	11201714
3	0000006509	SHACKLE ANCHOR GALV 25000 LBS	1	EA	11201714
4	0000008442	BOLT BENT EYE HOT DIP GALV CT 3/4 X 12	1	EA	11201714
5	0000008499	WASHER SQ HOT DIP GALV 2-1/4 IN X 2-1/4 IN X 3/16 IN	2	EA	11201714

1120-18
Sheet 1 of 3
Rev: 07/01/20

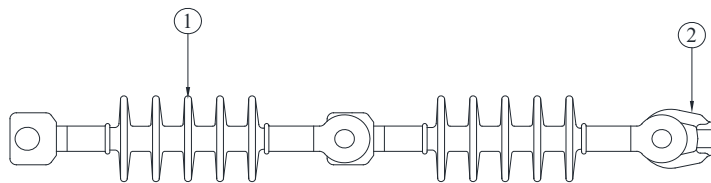
**POLES, HARDWARE, AND FRAMING
HARDWARE
INSULATOR DEADEND - DOUBLE**



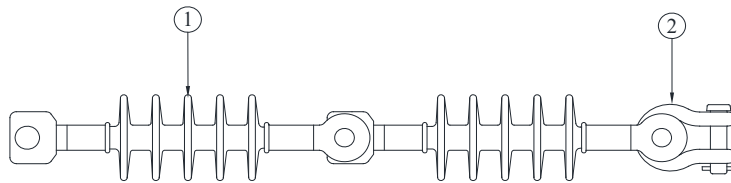
1120-18-01



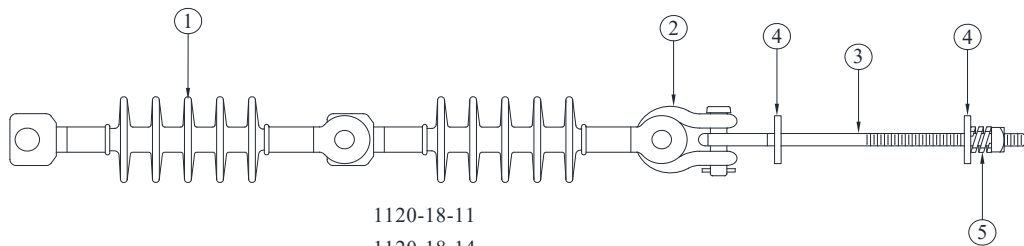
1120-18-02
1120-18-07



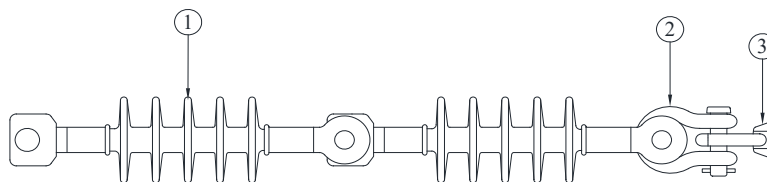
1120-18-03
1120-18-04




1120-18-10



1120-18-11
1120-18-14



1120-18-12
1120-18-13

1120-18	POLES, HARDWARE, AND FRAMING HARDWARE INSULATOR DEADEND - DOUBLE	
Sheet 3 of 3		
Rev: 07/01/20		

CU-ID	CU-REF	CU-DESCRIPTION
--------------	---------------	-----------------------

INSDEDBL5/8EYENUT/SHK	11201812	INSULATOR DE DBL W/5/8" EYENUT/SHACKLE
-----------------------	----------	--

ID	PART NUM	PART DESC	QTY		CU-REF
1	0000000820	INSULATOR DEADEND POLYMER 15 KV	2	EA	11201812
2	0000006509	SHACKLE ANCHOR GALV 25000 LBS	1	EA	11201812
3	0000008470	NUT EYE GALV 5/8 INCH	1	EA	11201812

INSDEDBL3/4EYENUT/SHK	11201813	INSULATOR DE DBL W/3/4" EYENUT/SHACKLE
-----------------------	----------	--

ID	PART NUM	PART DESC	QTY		CU-REF
1	0000000820	INSULATOR DEADEND POLYMER 15 KV	2	EA	11201813
2	0000006509	SHACKLE ANCHOR GALV 25000 LBS	1	EA	11201813
3	0000008471	NUT EYE GALV 3/4 INCH	1	EA	11201813

INSDEDBL3/4EYEB/SHK	11201816	INSULATOR DE DBL W/3/4"EYEB WITH SHACKLE
---------------------	----------	--

ID	PART NUM	PART DESC	QTY		CU-REF
1	0000000820	INSULATOR DEADEND POLYMER 15 KV	2	EA	11201816
2	0000001235	WASHER COIL SPRING ZINC FOR 3/4 IN BOLT	1	EA	11201816
3	0000006509	SHACKLE ANCHOR GALV 25000 LBS	1	EA	11201816
5	0000008499	WASHER SQ HOT DIP GALV 2-1/4 IN X 2-1/4 IN X 3/16 IN	2	EA	11201816
4	0000024290	BOLT BENT EYE HOT DIP GALV CT 3/4 X 14	1	EA	11201816