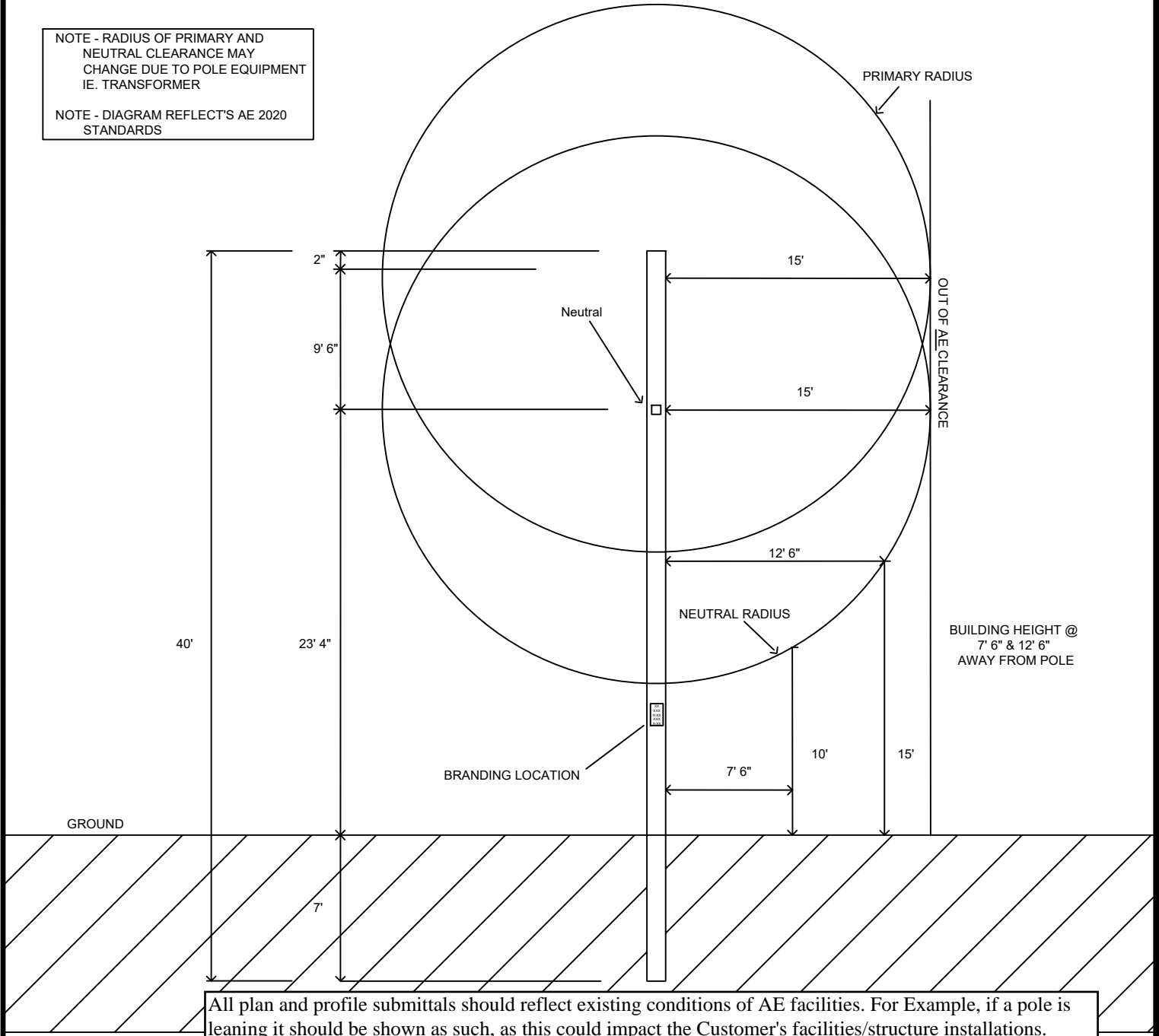


# 40' POLE

NOTE - RADIUS OF PRIMARY AND NEUTRAL CLEARANCE MAY CHANGE DUE TO POLE EQUIPMENT IE. TRANSFORMER

NOTE - DIAGRAM REFLECTS AE 2020 STANDARDS



All plan and profile submittals should reflect existing conditions of AE facilities. For Example, if a pole is leaning it should be shown as such, as this could impact the Customer's facilities/structure installations. See Section 1.10 in the AE Design Criteria Manual.

**REMINDER:** Customer's Facilities shall not be installed under or over AE overhead distribution facilities and shall maintain a minimum horizontal sky-to-ground clearance of 7 feet - 6 inches from overhead primary, neutral, and secondary(not including service drops to the individual building on the same lot) conductors. REFER to: 1.10.3 of AE Design Criteria Manual.

**BEFORE YOU DIG**  
TO LOC-TE UTILITIES  
C-LL 1-800-344-8377 (DIG TESS)



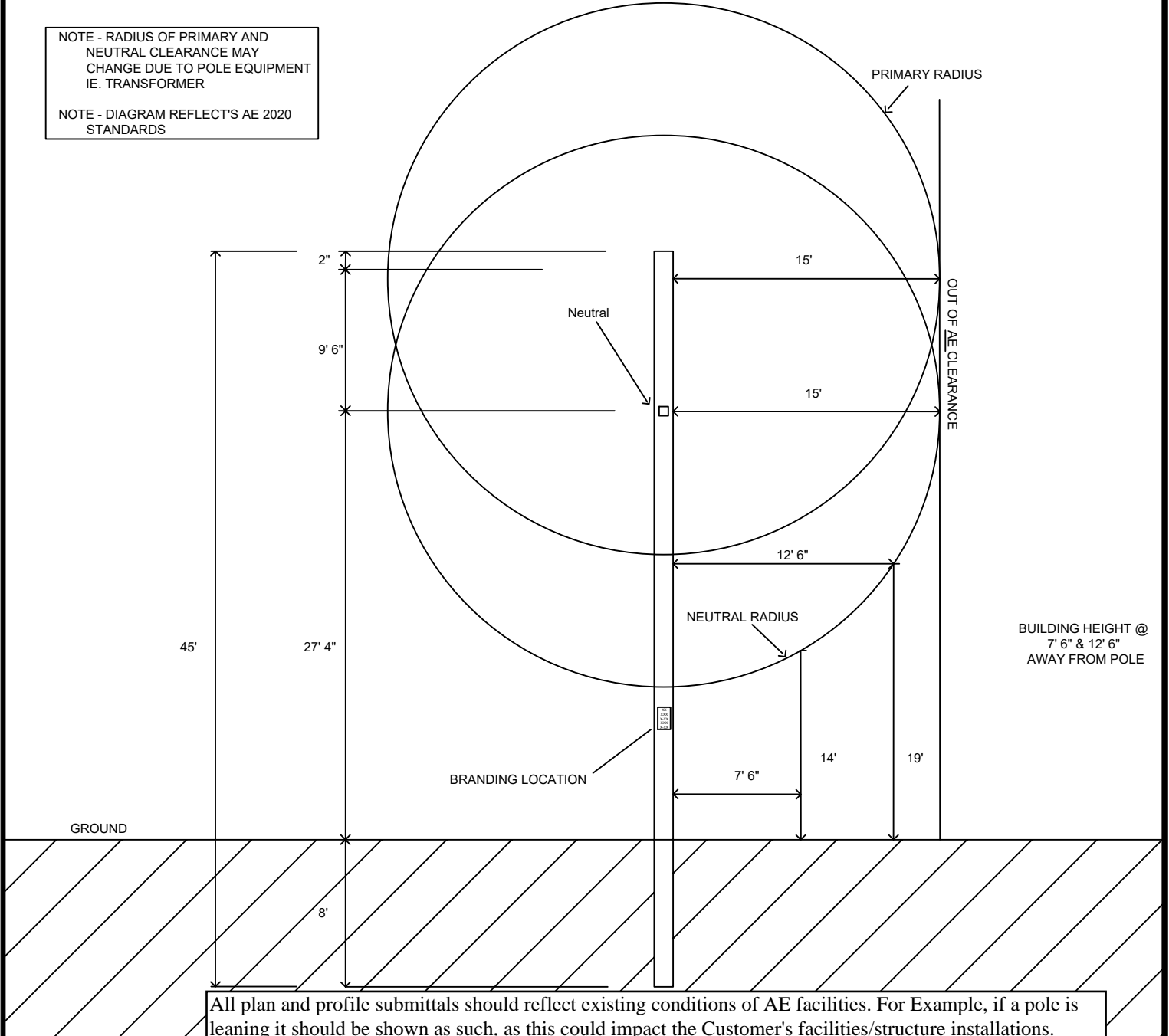
TYPICAL SINGLE PHASE LINE WITH  
15 FOOT BUILDING CLEARANCE FROM  
NEAREST ENERGIZED EQUIPMENT

SCALE - NTS  
DATE - 6-15-2021

# 45' POLE

NOTE - RADIUS OF PRIMARY AND NEUTRAL CLEARANCE MAY CHANGE DUE TO POLE EQUIPMENT I.E. TRANSFORMER

NOTE - DIAGRAM REFLECTS AE 2020 STANDARDS



All plan and profile submittals should reflect existing conditions of AE facilities. For Example, if a pole is leaning it should be shown as such, as this could impact the Customer's facilities/structure installations. See Section 1.10 in the AE Design Criteria Manual.

**REMINDER:** Customer's Facilities shall not be installed under or over AE overhead distribution facilities and shall maintain a minimum horizontal sky-to-ground clearance of 7 feet - 6 inches from overhead primary, neutral, and secondary(not including service drops to the individual building on the same lot) conductors. REFER to: 1.10.3 of AE Design Criteria Manual.

**BEFORE YOU DIG**  
TO LOC-TE UTILITIES  
C-LL 1-800-344-8377 (DIG TESS)



TYPICAL SINGLE PHASE LINE WITH  
15 FOOT BUILDING CLEARANCE FROM  
NEAREST ENERGIZED EQUIPMENT

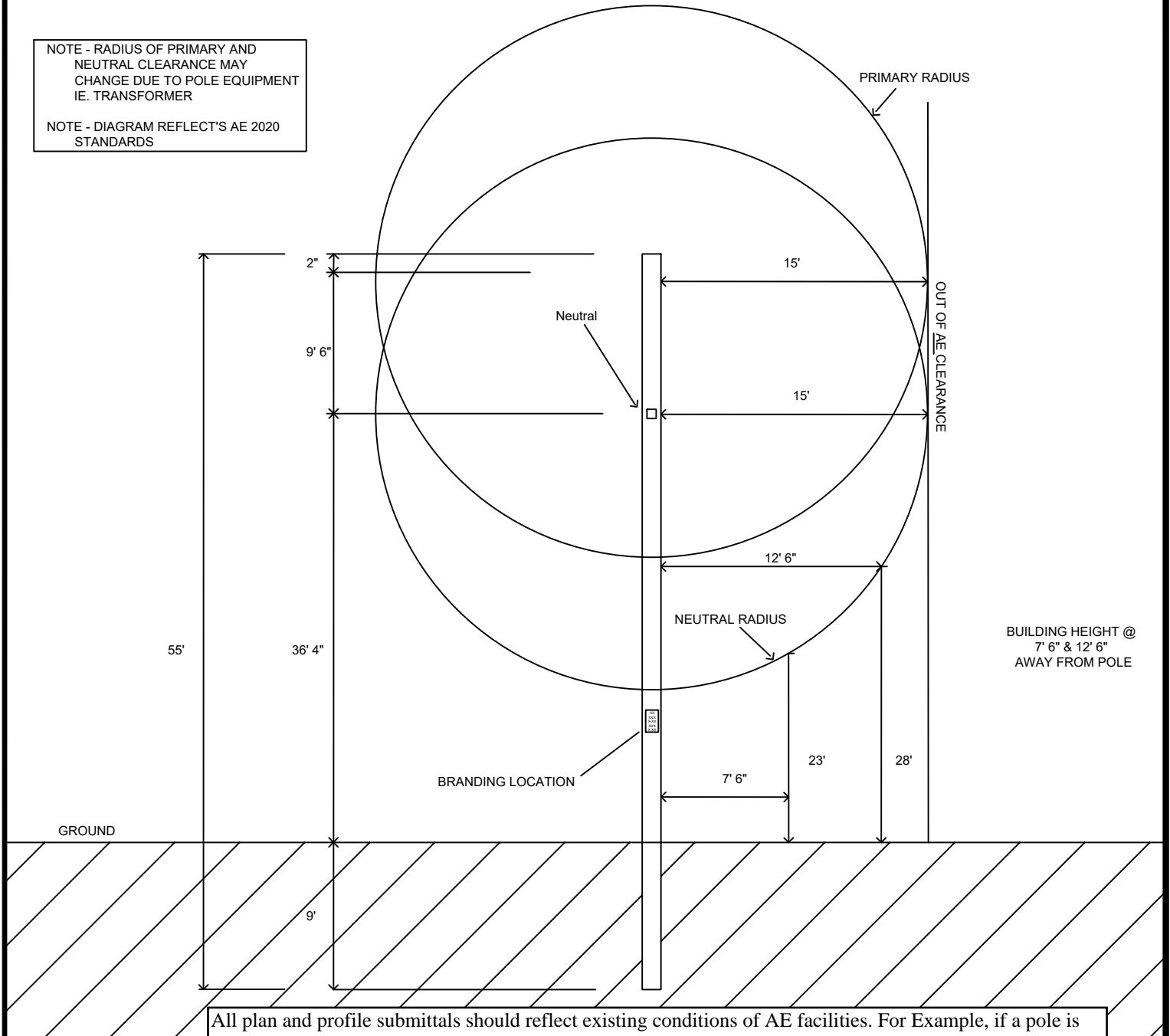
SCALE - NTS  
DATE - 6-15-2021



# 55' POLE

NOTE - RADIUS OF PRIMARY AND NEUTRAL CLEARANCE MAY CHANGE DUE TO POLE EQUIPMENT IE. TRANSFORMER

NOTE - DIAGRAM REFLECT'S AE 2020 STANDARDS



BUILDING HEIGHT @  
7' 6" & 12' 6"  
AWAY FROM POLE

All plan and profile submittals should reflect existing conditions of AE facilities. For Example, if a pole is leaning it should be shown as such, as this could impact the Customer's facilities/structure installations. See Section 1.10 in the AE Design Criteria Manual.

**REMINDER:** Customer's Facilities shall not be installed under or over AE overhead distribution facilities and shall maintain a minimum horizontal sky-to-ground clearance of 7 feet - 6 inches from overhead primary, neutral, and secondary(not including service drops to the individual building on the same lot) conductors. REFER to: 1.10.3 of AE Design Criteria Manual.

**BEFORE YOU DIG**  
TO LOC-TE UTILITIES  
C-LL 1-800-344-8377 (DIG TESS)



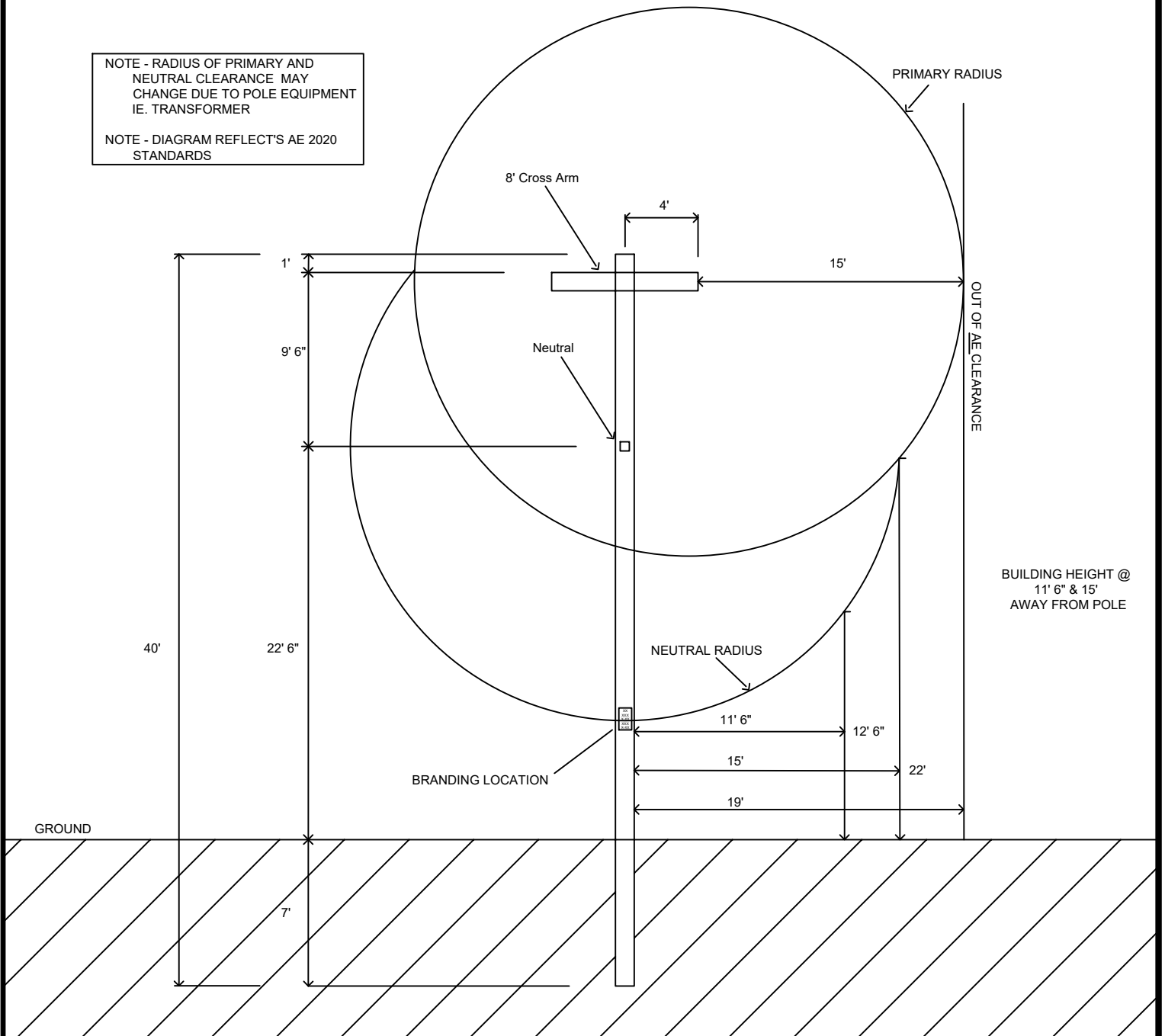
TYPICAL SINGLE PHASE LINE WITH  
15 FOOT BUILDING CLEARANCE FROM  
NEAREST ENERGIZED EQUIPMENT

SCALE - NTS  
DATE - 6-15-2021

# 40' POLE

NOTE - RADIUS OF PRIMARY AND NEUTRAL CLEARANCE MAY CHANGE DUE TO POLE EQUIPMENT IE. TRANSFORMER

NOTE - DIAGRAM REFLECT'S AE 2020 STANDARDS



All plan and profile submittals should reflect existing conditions of AE facilities. For Example, if a pole is leaning it should be shown as such, as this could impact the Customer's facilities/structure installations. See Section 1.10 in the AE Design Criteria Manual.

**REMINDER:** Customer's Facilities shall not be installed under or over AE overhead distribution facilities and shall maintain a minimum horizontal sky-to-ground clearance of 7 feet - 6 inches from overhead primary, neutral, and secondary(not including service drops to the individual building on the same lot) conductors. REFER to: 1.10.3 of AE Design Criteria Manual.



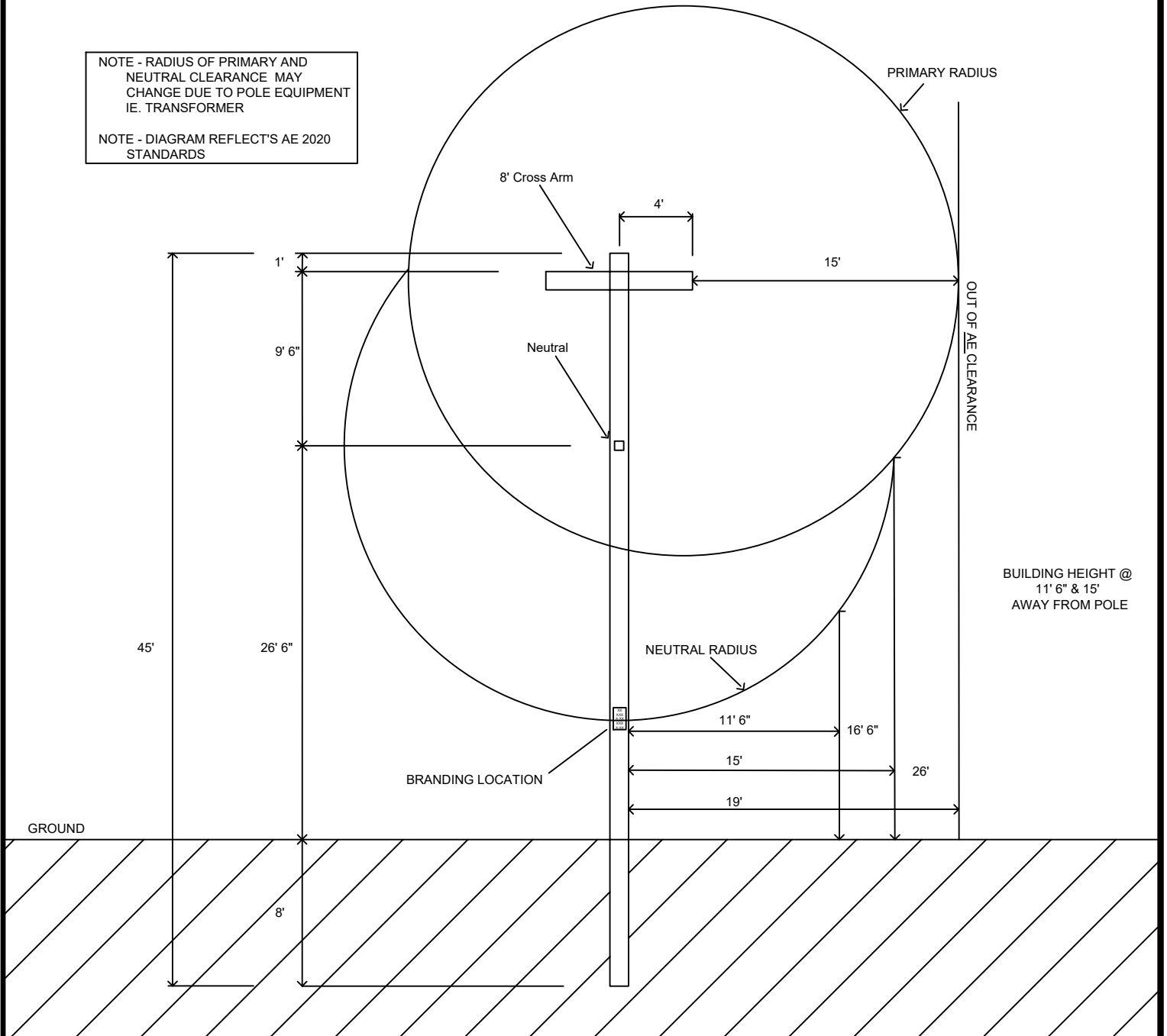
TYPICAL 2&3 PHASE LINE WITH 15 FOOT BUILDING CLEARANCE FROM NEAREST ENERGIZED EQUIPMENT

SCALE - NTS  
DATE - 08-06-2021

# 45' POLE

NOTE - RADIUS OF PRIMARY AND NEUTRAL CLEARANCE MAY CHANGE DUE TO POLE EQUIPMENT IE. TRANSFORMER

NOTE - DIAGRAM REFLECT'S AE 2020 STANDARDS



All plan and profile submittals should reflect existing conditions of AE facilities. For Example, if a pole is leaning it should be shown as such, as this could impact the Customer's facilities/structure installations. See Section 1.10 in the AE Design Criteria Manual.

**REMINDER:** Customer's Facilities shall not be installed under or over AE overhead distribution facilities and shall maintain a minimum horizontal sky-to-ground clearance of 7 feet - 6 inches from overhead primary, neutral, and secondary(not including service drops to the individual building on the same lot) conductors. REFER to: 1.10.3 of AE Design Criteria Manual.



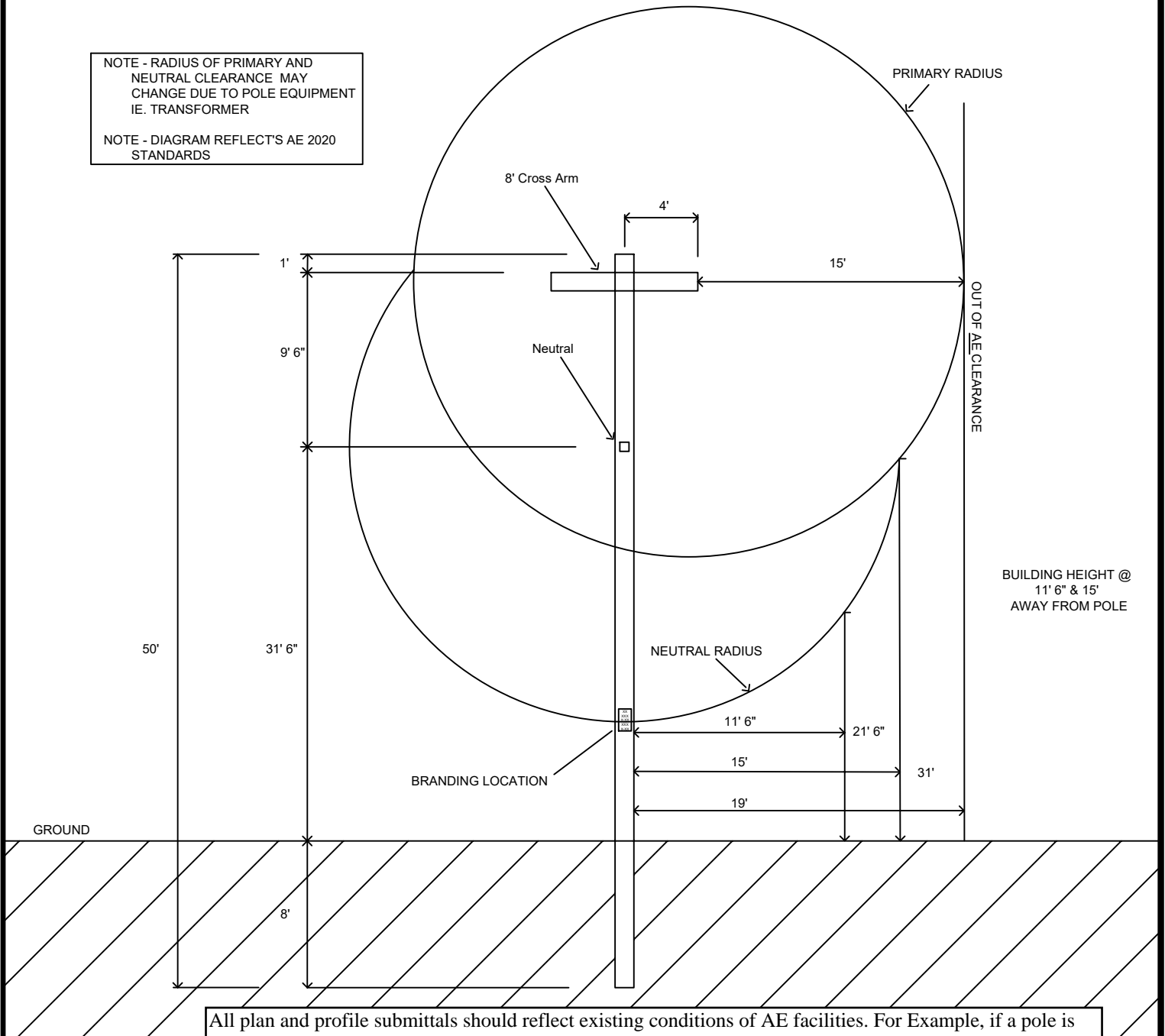
TYPICAL 2&3 PHASE LINE WITH 15 FOOT BUILDING CLEARANCE FROM NEAREST ENERGIZED EQUIPMENT

SCALE - NTS  
DATE - 08-06-2021

# 50' POLE

NOTE - RADIUS OF PRIMARY AND NEUTRAL CLEARANCE MAY CHANGE DUE TO POLE EQUIPMENT IE. TRANSFORMER

NOTE - DIAGRAM REFLECTS AE 2020 STANDARDS



All plan and profile submittals should reflect existing conditions of AE facilities. For Example, if a pole is leaning it should be shown as such, as this could impact the Customer's facilities/structure installations. See Section 1.10 in the AE Design Criteria Manual.

**REMINDER:** Customer's Facilities shall not be installed under or over AE overhead distribution facilities and shall maintain a minimum horizontal sky-to-ground clearance of 7 feet - 6 inches from overhead primary, neutral, and secondary(not including service drops to the individual building on the same lot) conductors. REFER to: 1.10.3 of AE Design Criteria Manual.



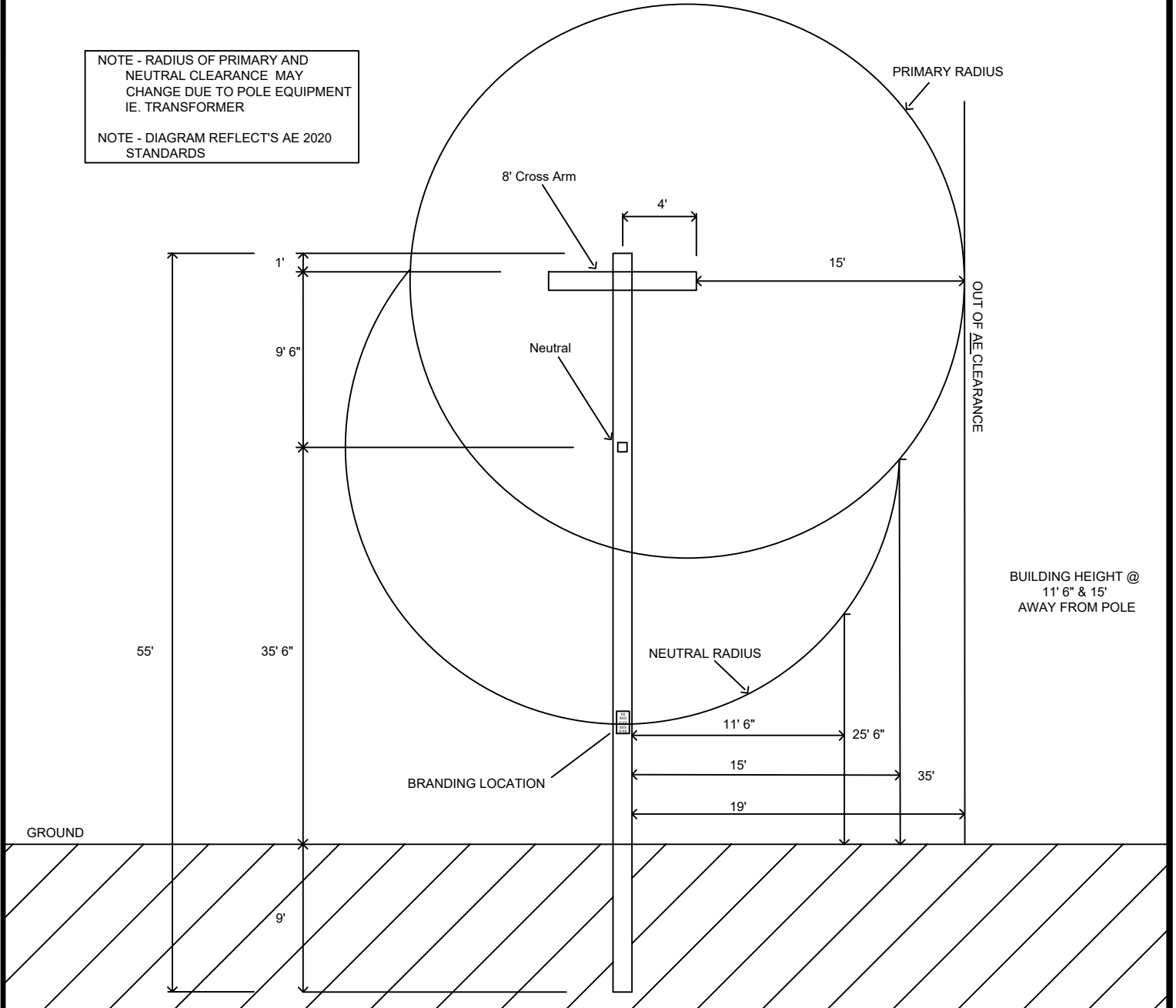
TYPICAL 2&3 PHASE LINE WITH 15 FOOT BUILDING CLEARANCE FROM NEAREST ENERGIZED EQUIPMENT

SCALE - NTS  
DATE - 08-06-2021

# 55' POLE

NOTE - RADIUS OF PRIMARY AND NEUTRAL CLEARANCE MAY CHANGE DUE TO POLE EQUIPMENT IE. TRANSFORMER

NOTE - DIAGRAM REFLECTS AE 2020 STANDARDS



All plan and profile submittals should reflect existing conditions of AE facilities. For Example, if a pole is leaning it should be shown as such, as this could impact the Customer's facilities/structure installations. See Section 1.10 in the AE Design Criteria Manual.

**REMINDER:** Customer's Facilities shall not be installed under or over AE overhead distribution facilities and shall maintain a minimum horizontal sky-to-ground clearance of 7 feet - 6 inches from overhead primary, neutral, and secondary(not including service drops to the individual building on the same lot) conductors. REFER to: 1.10.3 of AE Design Criteria Manual.



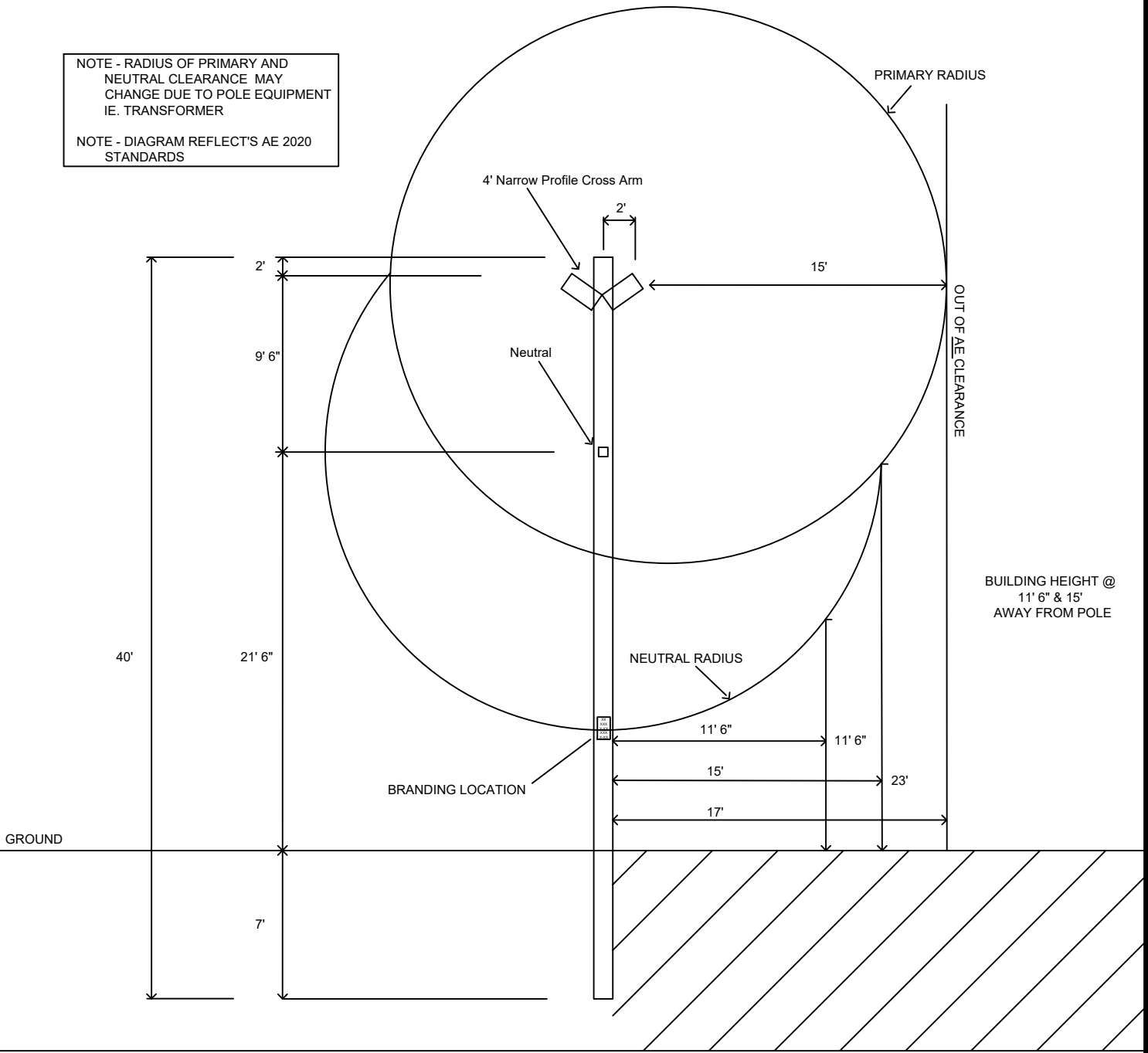
TYPICAL 2&3 PHASE LINE WITH 15 FOOT BUILDING CLEARANCE FROM NEAREST ENERGIZED EQUIPMENT

SCALE - NTS  
DATE - 08-06-2021

# 40' POLE

NOTE - RADIUS OF PRIMARY AND NEUTRAL CLEARANCE MAY CHANGE DUE TO POLE EQUIPMENT IE. TRANSFORMER

NOTE - DIAGRAM REFLECT'S AE 2020 STANDARDS



All plan and profile submittals should reflect existing conditions of AE facilities. For Example, if a pole is leaning it should be shown as such, as this could impact the Customer's facilities/structure installations. See Section **1.10** in the **AE Design Criteria Manual**.

**REMINDER:** Customer's Facilities shall not be installed under or over AE overhead distribution facilities and shall maintain a minimum horizontal sky-to-ground clearance of 7 feet - 6 inches from overhead primary, neutral, and secondary(not including service drops to the individual building on the same lot) conductors. REFER to: **1.10.3 of AE Design Criteria Manual**.



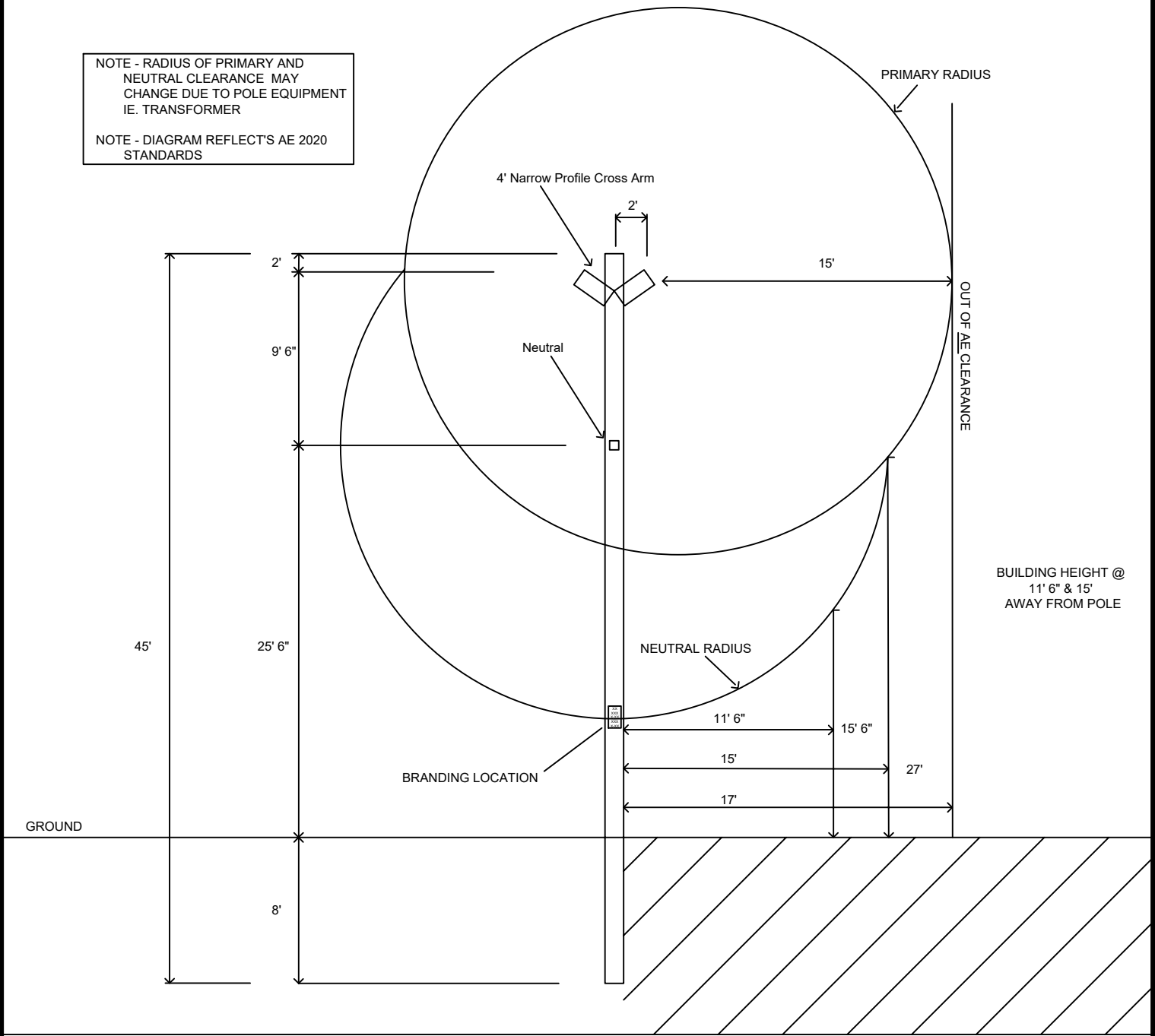
TYPICAL 2&3 PHASE LINE WITH 15 FOOT BUILDING CLEARANCE FROM NEAREST ENERGIZED EQUIPMENT W/ NP - XARMS

SCALE - NTS  
DATE - 09-29-2021

# 45' POLE

NOTE - RADIUS OF PRIMARY AND NEUTRAL CLEARANCE MAY CHANGE DUE TO POLE EQUIPMENT IE. TRANSFORMER

NOTE - DIAGRAM REFLECTS AE 2020 STANDARDS



All plan and profile submittals should reflect existing conditions of AE facilities. For Example, if a pole is leaning it should be shown as such, as this could impact the Customer's facilities/structure installations. See Section **1.10** in the **AE Design Criteria Manual**.

**REMINDER:** Customer's Facilities shall not be installed under or over AE overhead distribution facilities and shall maintain a minimum horizontal sky-to-ground clearance of 7 feet - 6 inches from overhead primary, neutral, and secondary(not including service drops to the individual building on the same lot) conductors. REFER to: **1.10.3 of AE Design Criteria Manual**.



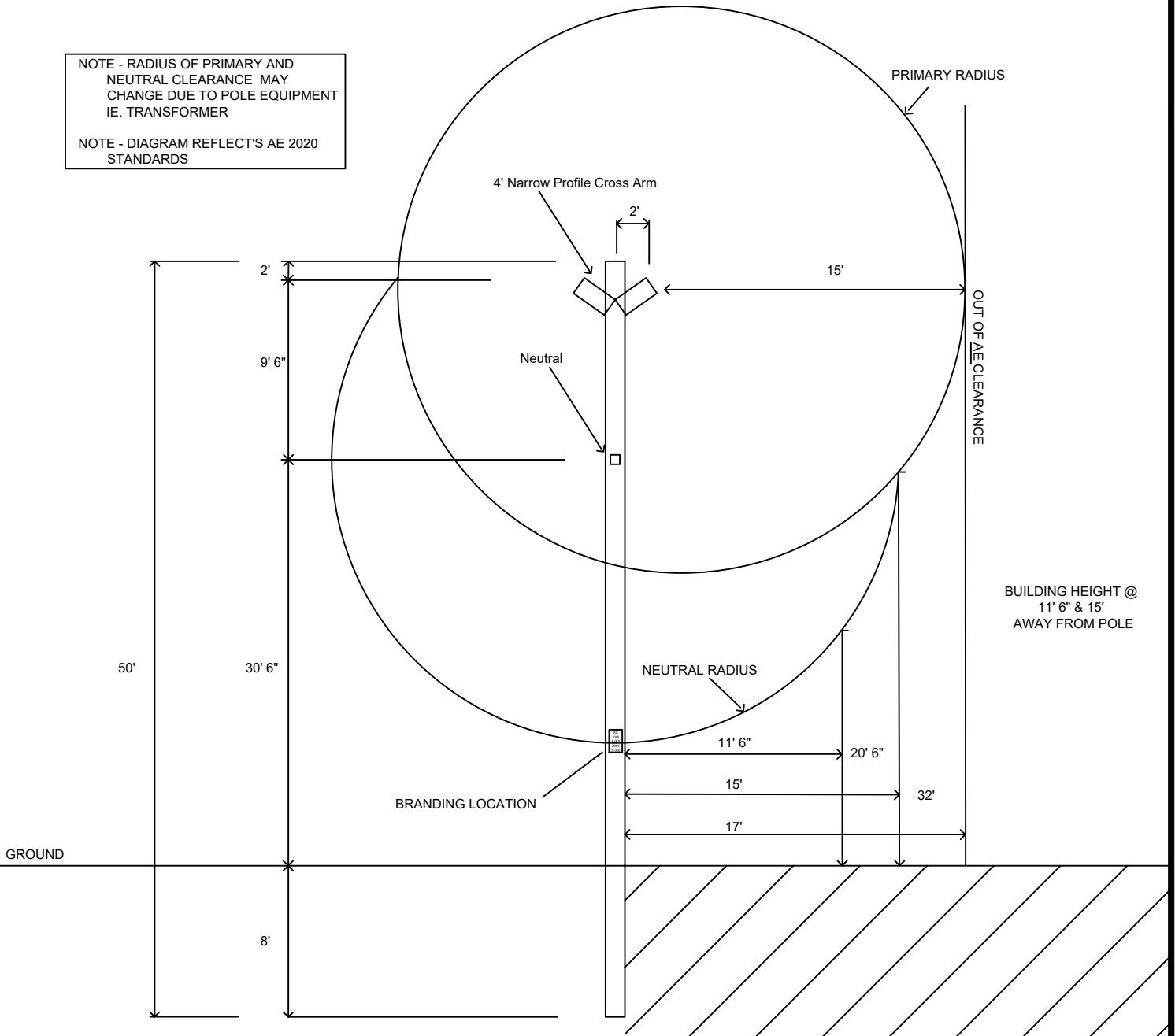
TYPICAL 2&3 PHASE LINE WITH 15 FOOT BUILDING CLEARANCE FROM NEAREST ENERGIZED EQUIPMENT W/ NP - XARMS

SCALE - NTS  
DATE - 09-29-2021

# 50' POLE

NOTE - RADIUS OF PRIMARY AND NEUTRAL CLEARANCE MAY CHANGE DUE TO POLE EQUIPMENT IE. TRANSFORMER

NOTE - DIAGRAM REFLECT'S AE 2020 STANDARDS



All plan and profile submittals should reflect existing conditions of AE facilities. For Example, if a pole is leaning it should be shown as such, as this could impact the Customer's facilities/structure installations. See Section **1.10** in the **AE Design Criteria Manual**.

**REMINDER:** Customer's Facilities shall not be installed under or over AE overhead distribution facilities and shall maintain a minimum horizontal sky-to-ground clearance of 7 feet - 6 inches from overhead primary, neutral, and secondary(not including service drops to the individual building on the same lot) conductors. REFER to: **1.10.3 of AE Design Criteria Manual**.



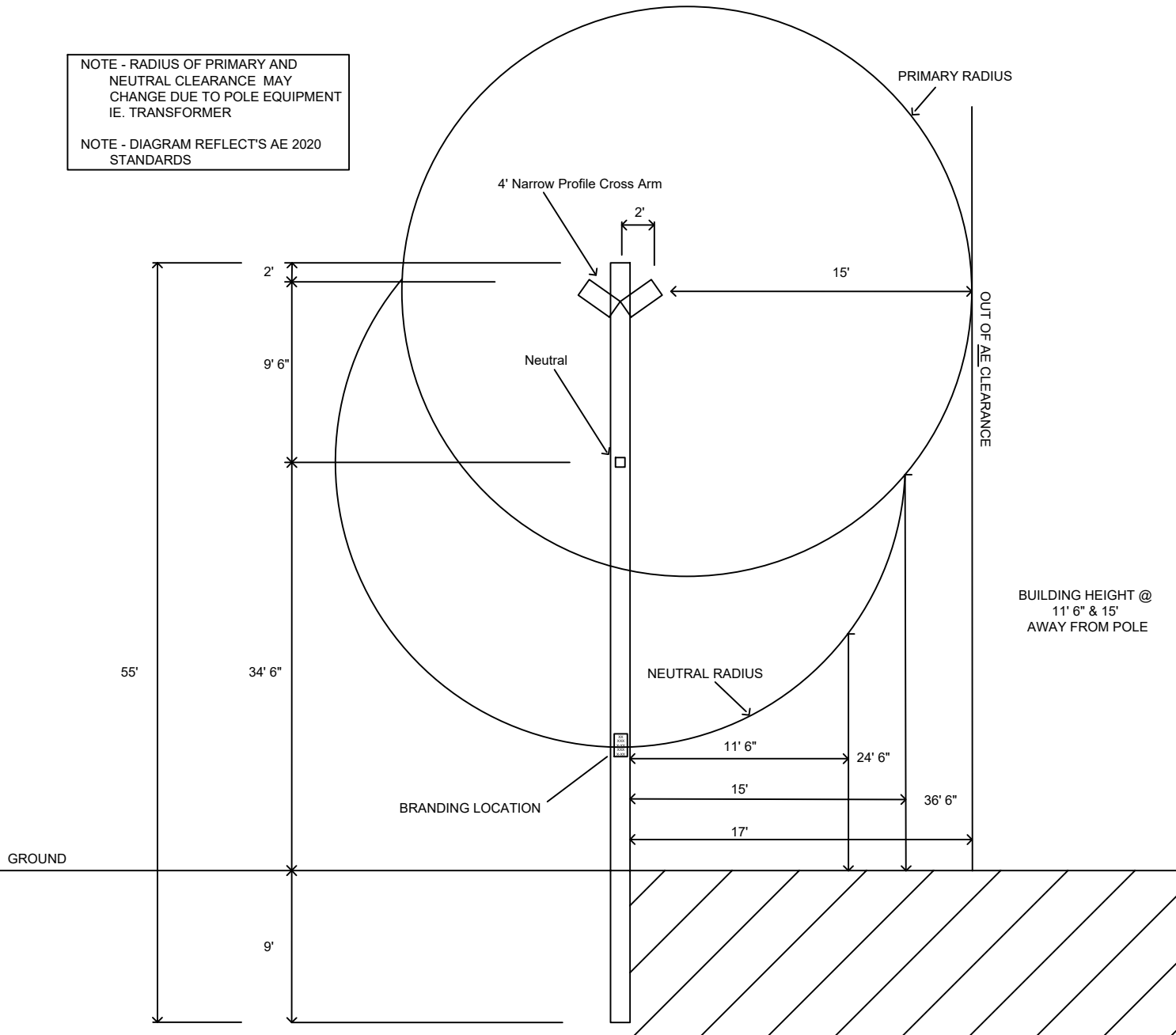
TYPICAL 2&3 PHASE LINE WITH 15 FOOT BUILDING CLEARANCE FROM NEAREST ENERGIZED EQUIPMENT W/ NP - XARMS

SCALE - NTS  
DATE - 09-29-2021

# 55' POLE

NOTE - RADIUS OF PRIMARY AND NEUTRAL CLEARANCE MAY CHANGE DUE TO POLE EQUIPMENT IE. TRANSFORMER

NOTE - DIAGRAM REFLECTS AE 2020 STANDARDS



All plan and profile submittals should reflect existing conditions of AE facilities. For Example, if a pole is leaning it should be shown as such, as this could impact the Customer's facilities/structure installations. See Section 1.10 in the AE Design Criteria Manual.

**REMINDER:** Customer's Facilities shall not be installed under or over AE overhead distribution facilities and shall maintain a minimum horizontal sky-to-ground clearance of 7 feet - 6 inches from overhead primary, neutral, and secondary(not including service drops to the individual building on the same lot) conductors. REFER to: **1.10.3 of AE Design Criteria Manual.**



TYPICAL 2&3 PHASE LINE WITH 15 FOOT BUILDING CLEARANCE FROM NEAREST ENERGIZED EQUIPMENT W/ NP - XARMS

SCALE - NTS  
DATE - 09-29-2021