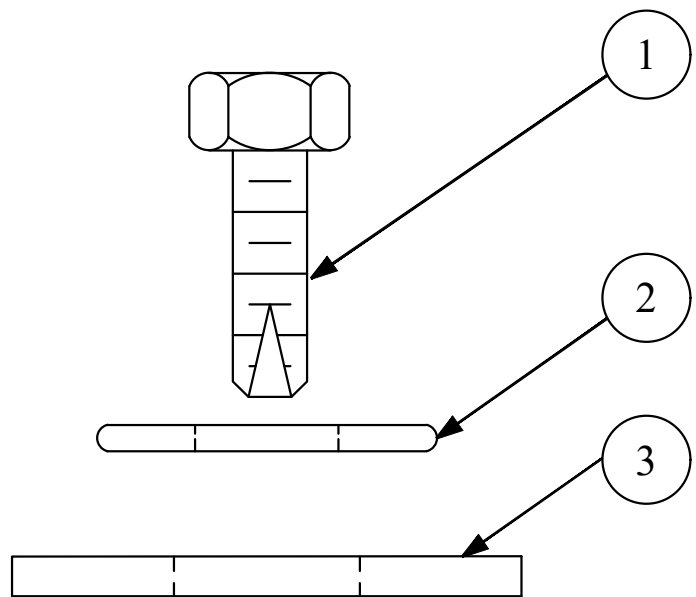
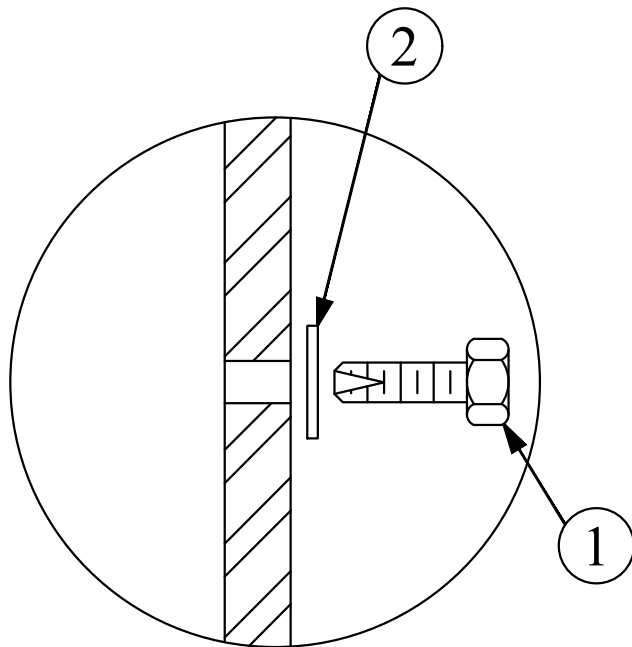


1502

URD HARDWARE

CONTAINS

- 1502-02 ANCHOR ASSEMBLY
- 1502-05 BUSHING INSERTS 15KV
- 1502-07 ARRESTER ELBOW AND PARKING STAND
- 1502-09 PARKING STAND 200 AMP 15KV
- 1502-15 ELBOWS 200/600/900 AMP
- 1502-17 SECONDARY CONNECTORS FOR PADMOUNT XFMRS
- 1502-19 JUNCTION LOADBREAK 200 AMP 15KV
- 1502-21 FAULT INDICATORS - PADMOUNT TRANSFORMERS
- 1502-25 FUSE UNITS FOR PAD MOUNT TRANSFORMERS
- 1502-30 FUSE UNITS FOR SWITCHGEAR

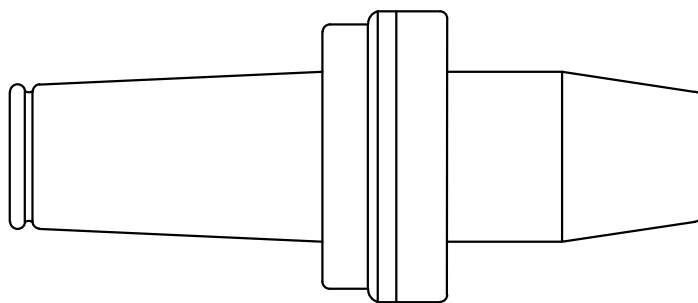


1502-02-01

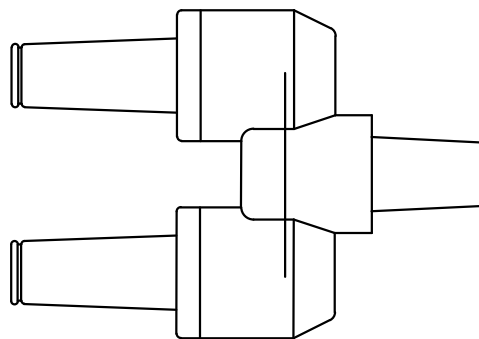
CU-REF	CU-ID	CU-DESCRIPTION
15020201	ANCHARDWARECIPPAD	ANCH HARDWARE FOR CIP PADS

Transformers are purchased with bushing wells on the primary terminals. Bushing inserts are installed in bushing wells for loadbreak elbow and arrester applications.

Use insulated bushing caps to dead-end bushing inserts or feed thru inserts; always ground them to the ground conductor with at least one strand of #14 copper wire.

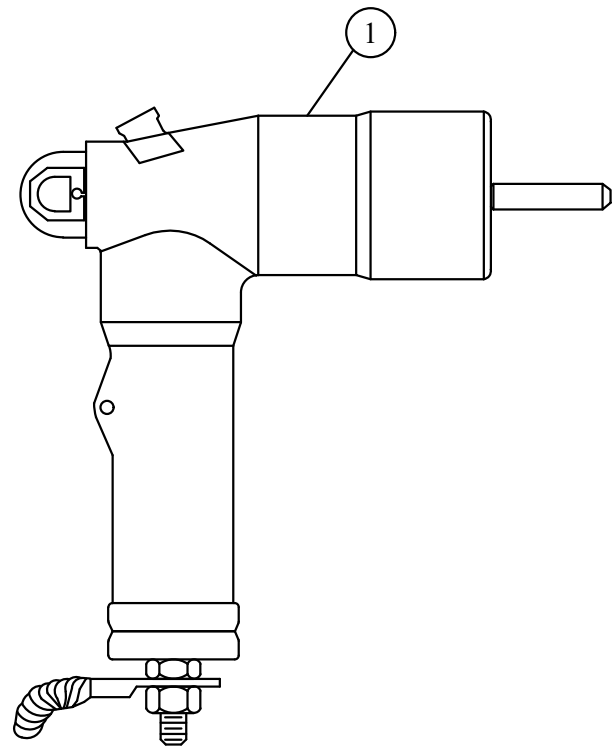
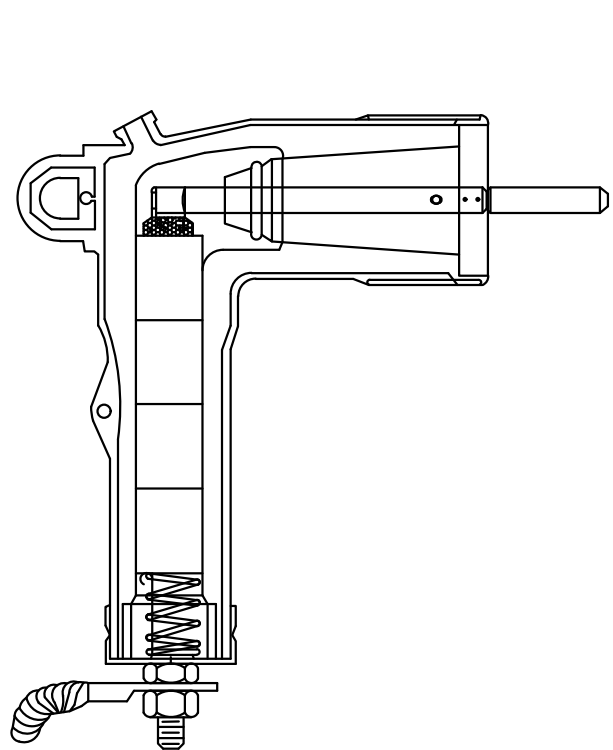


1502-05-01
1502-05-10

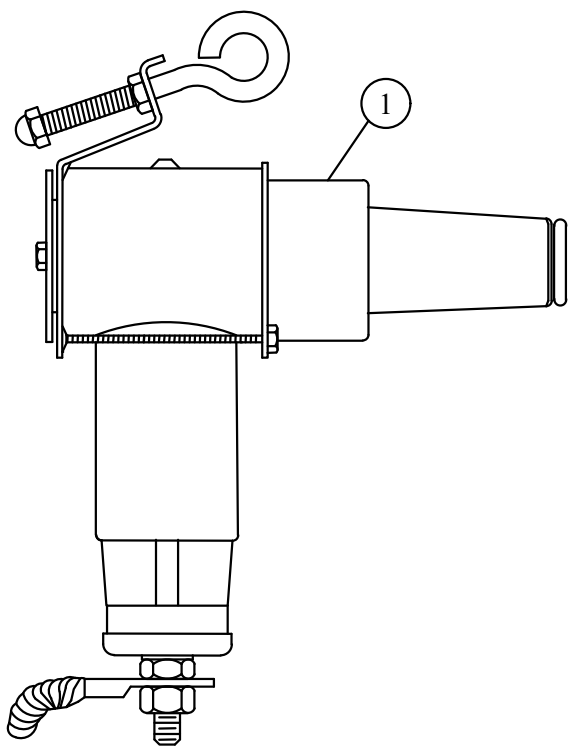


1502-05-02

CU-REF	CU-ID	CU-DESCRIPTION
15020501	BUSHINSRTLDBK200A15KV	BUSHING INSERT LDBK 200 AMP 15KV
15020502	BUSHINSRT2WAYLDBK200A15KV	BUSHING INSERT 2 WAY LDBK 200 AMP 15KV
15020510	BUSHINSRTLDBK600-200A15KV	BUSHING INSERT LDBK 600 TO 200 AMP 15KV



1502-07-01



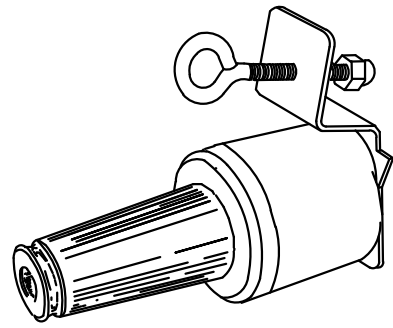
1502-07-05

GROUND DRAIN WIRES FROM ELBOW ARRESTERS PER MANUFACTURER'S INSTRUCTIONS TO AVOID DANGEROUS VOLTAGE LEVELS ON THE SURFACE OF DEAD-FRONT EQUIPMENT.

CONNECT GROUND LEADS ON ELBOW ARRESTERS TO THE GROUND WIRE, BEFORE THE ARRESTER IS PLUGGED INTO A TRANSFORMER.

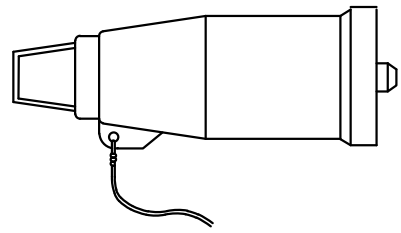
KEEP GROUND LEADS AS SHORT AS POSSIBLE. LEAVE THE CRIMPED OR TINNED END OF THE GROUND LEAD INTACT.

CU-REF	CU-ID	CU-DESCRIPTION
15020701	ARELBOW15KV	ARRESTOR ELBOW 15KV
15020705	ARPARKGSTND15KV	ARRESTOR PARKING STAND 15KV



1502-09-01

1502 - 09 - 02 BUSHING PARKING 2 WAY LDBRK 200 AMP
15 KV IS USED ONLY FOR MAINTENANCE



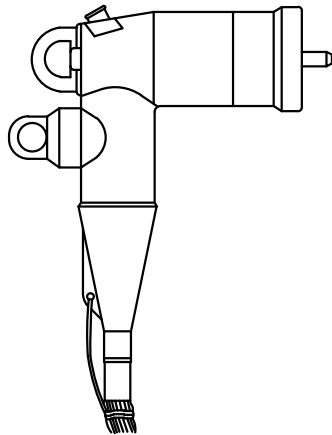
1502-09-10 200 AMP
1502-09-15 600 AMP

USE LOADBREAK PARKING STAND BUSHINGS TO TEMPORARILY PARK ENERGIZED CABLE ON THE PARKING STAND, DURING CONSTRUCTION OR PERMANENTLY AT THE OPEN-POINT OF A LOOP-FEED CIRCUIT.

USE LOADBREAK FEED-THRU PARKING STAND BUSHINGS TO TEST AND GROUND CIRCUITS.

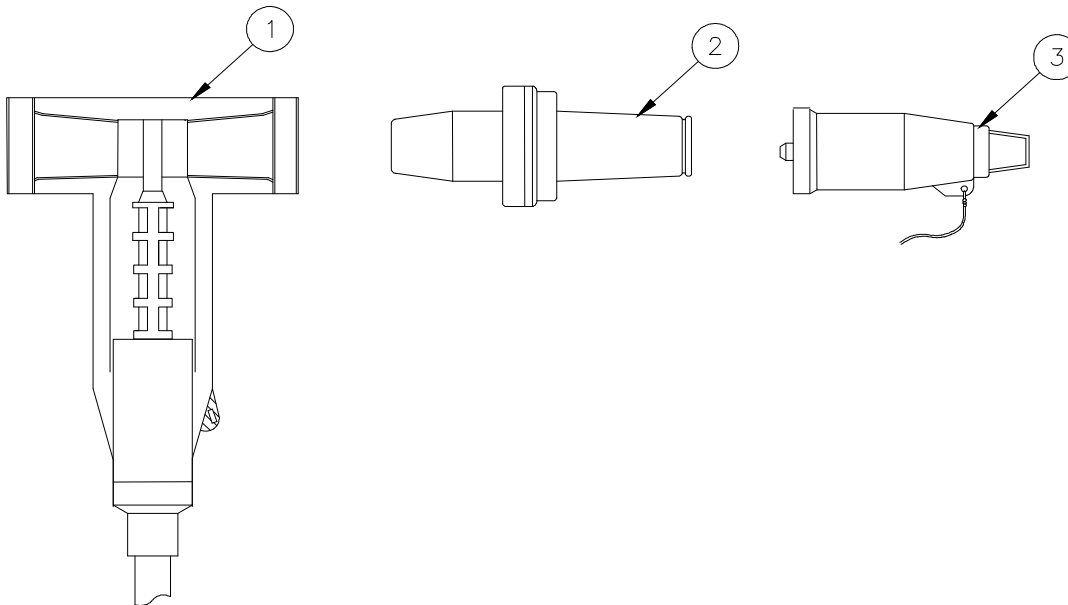
GROUND DRAIN WIRES FROM ELBOW ARRESTERS PER MANUFACTURER'S INSTRUCTIONS, TO AVOID DANGEROUS VOLTAGE LEVELS ON THE SURFACE OF DEAD-FRONT EQUIPMENT.

CU-REF	CU-ID	CU-DESCRIPTION
15020901	BUSHPARKLDBK200A15KV	BUSHING PARKING LDBK 200 AMP 15KV
15020902	BUSHPARK2WAYLDBK200A15KV	BUSHING PARKING 2 WAY LDBK 200 AMP 15KV
15020910	BUSHCAP15KV	BUSHING CAP 15KV



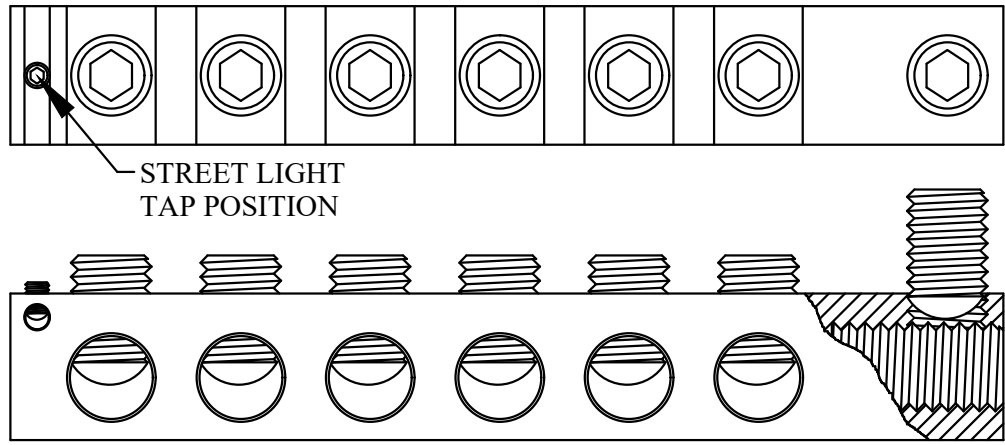
1502-15-01 #2 CU
 1502-15-02 1/0 AL
 1502-15-06 #2-1/0

GROUND DRAIN WIRES FROM ELBOWS PER
 MANUFACTURER'S INSTRUCTIONS.



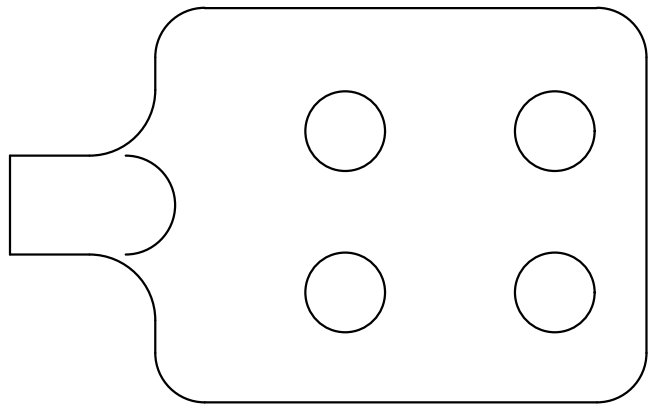
1502-15-10 1/0 AL 15KV
 1502-15-12 250 CU 15KV
 1502-15-15 500 CU 15KV
 1502-15-20 1000 CU 15KV

CU-REF	CU-ID	CU-DESCRIPTION
15021501	ELBLDBK200A2CU15KV	ELBOW LOADBREAK 200 AMP #2 CU 15KV
15021502	ELBLDBK200A1/0AL15KV	ELBOW LOADBREAK 200 AMP 1/0 AWG AL 15KV
15021506	ELBLDBK200A2CU-1/0AL15KV	ELBOW DBK 200 AMP #2 CU- 1/0 AL 15KV
15021512	ELBDBK600A250CU15KV	ELBOW DEADBREAK 600 AMP 250 CU 15KV
15021515	ELBDBK600A500CU15KV	ELBOW DEADBREAK 600 AMP 500 CU 15KV
15021520	ELBDBK900A1KCU	ELBOW DEADBREAK 900A 1000 MCM COPPER



RESIDENTIAL USE

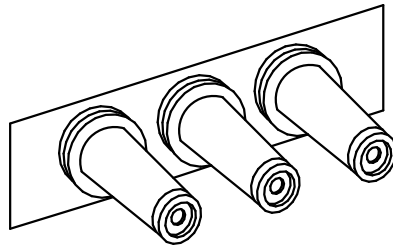
- 1502-17-01 5/8" STUD
- 1502-17-02 1" STUD



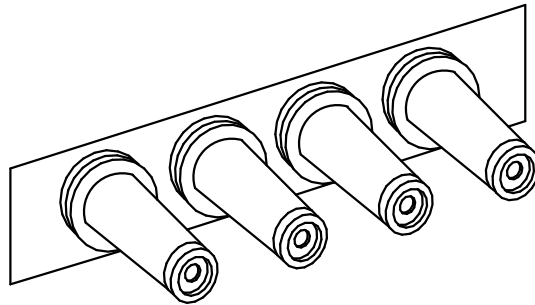
COMMERCIAL USE

- 1502-17-11 5/8" STUD
- 1502-17-12 1" STUD

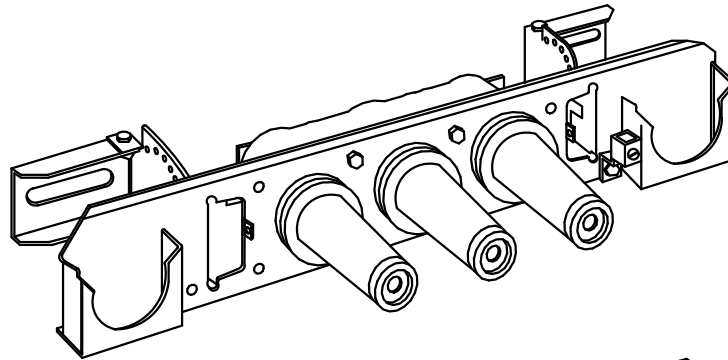
CU-REF	CU-ID	CU-DESCRIPTION
15021701	XFMRSECBUSH6OUT5/8INS	XFMR SEC BUSH 6- OUTLET 5/8 IN STUD
15021702	XFMRSECBUSH6OUT1INS	XFMR SEC BUSH 6- OUTLET 1 IN STUD
15021711	XFMRSECNEMAPAD5/8INS	XFMR SEC NEMA PAD 5/8 IN STUD
15021712	XFMRSECNEMAPAD1INS	XFMR SEC NEMA PAD 1 IN STUD



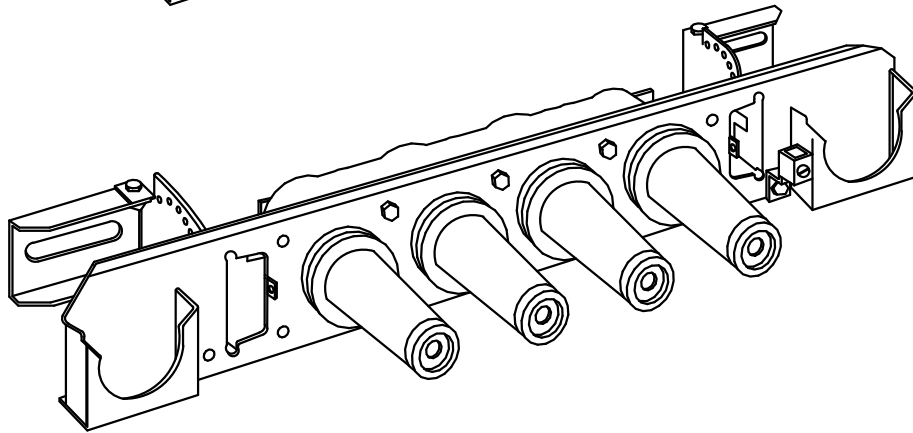
1502-19-03



1502-19-04

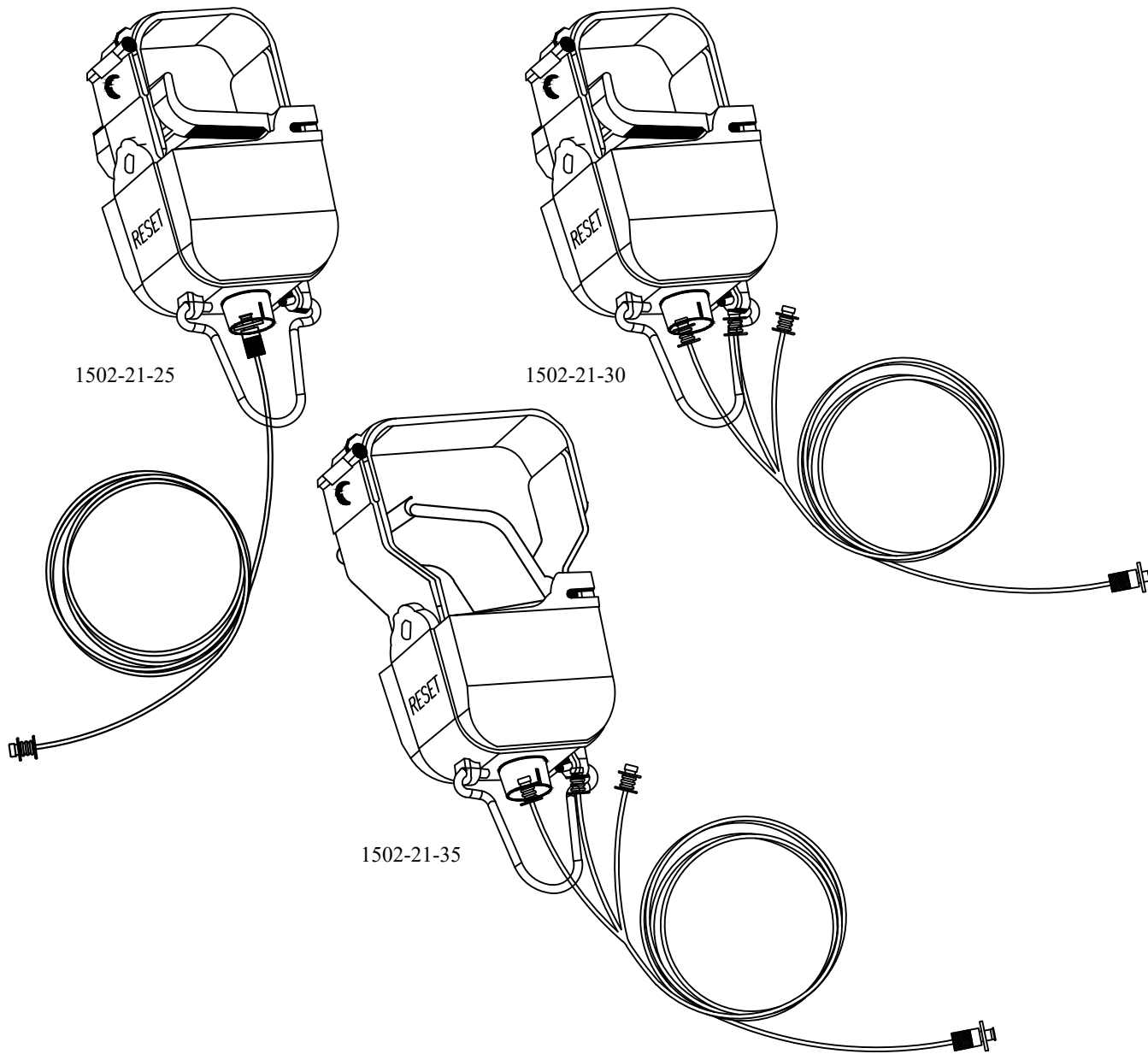


1502-19-13



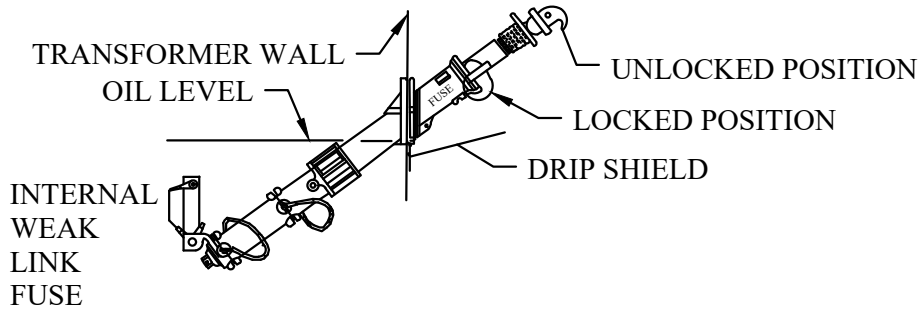
1502-19-14

CU-REF	CU-ID	CU-DESCRIPTION
15021903	JN3PNTLB200A15KV	JUNC 3- POINT LD BK 200 AMP 15KV
15021904	JN4PNTLB200A15KV	JUNC 4- POINT LD BK 200 AMP 15KV
15021913	JN3PNTLBW/BRKT200A15KV	JUNC 3- POINT LDBK W/BRKT 200 AMP 15KV
15021914	JN4PNTLBW/BRKT200A15KV	JUNC 4- POINT LDBK W/BRKT 200 AMP 15KV

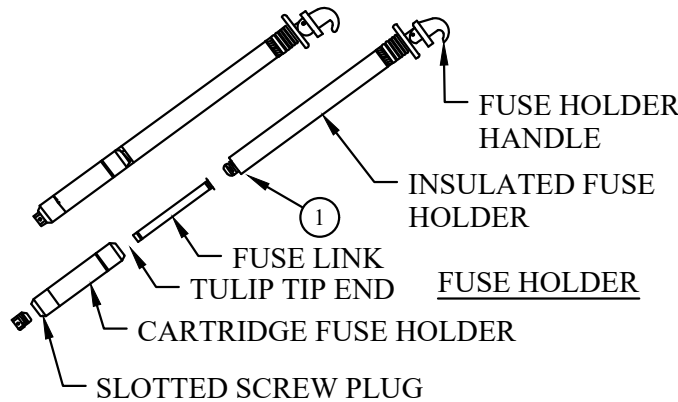


CU-REF	CU-ID	CU-DESCRIPTION
15022125	FAULTINDW/1PHLEDLEAD	FAULT INDICATOR WITH 1 PHASE LED LEAD
15022130	FAULTINDW/3PHLEDLEAD	FAULT INDICATOR WITH 3 PHASE LED LEAD
15022135	FAULTIND1000W/3PHLEDLEAD	FAULT IND FOR 1000 MCM WITH 3PH LED LEAD

NOTE:
 SEE DISTRIBUTION SYSTEM PROTECTION
 GWP FOR FUSING GUIDELINES.



BAY-O-NET FUSE ASSEMBLY

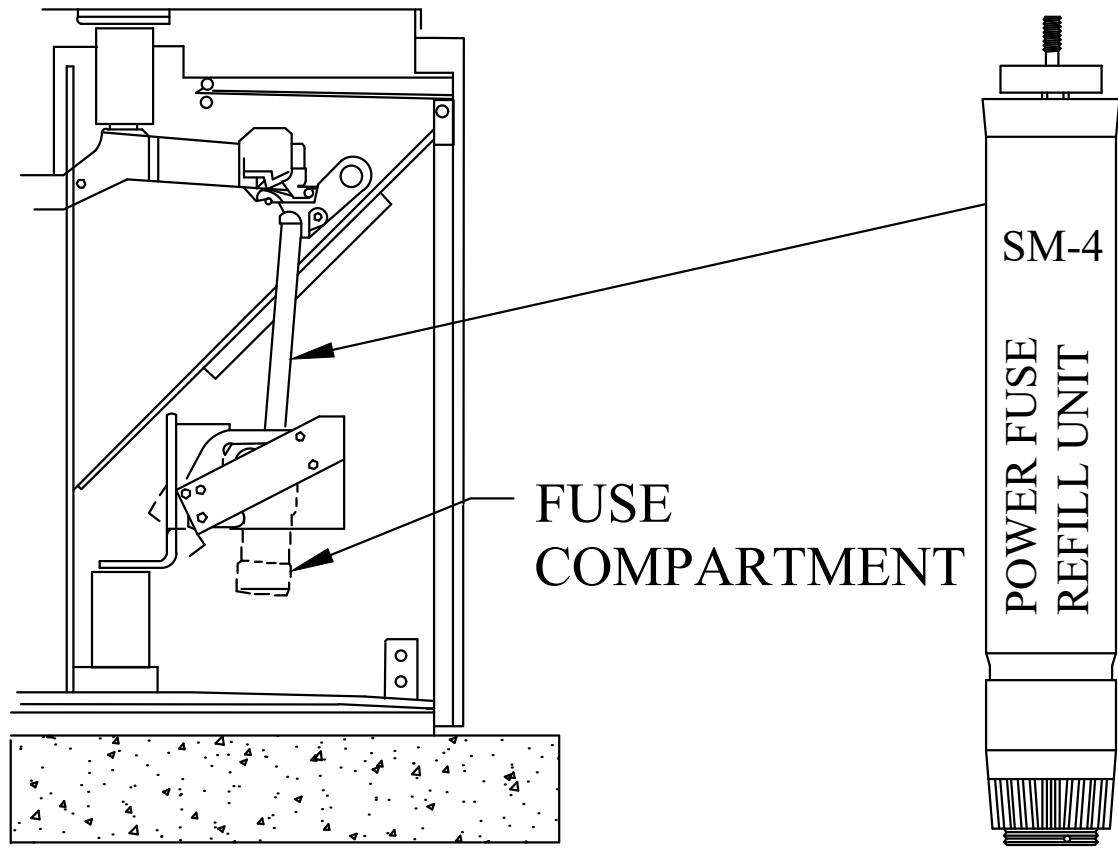


- 1502-25-10 8A (DS C05)
- 1502-25-12 15A (DS C08)
- 1502-25-15 25A (DS C10)
- 1502-25-30 50A (DS C12)
- 1502-25-35 65A (HOL C03)
- 1502-25-45 100A (HOL C04)
- 1502-25-60 125A (HOL C05)
- 1502-25-70 SLUG

CU-REF	CU-ID	CU-DESCRIPTION
15022510	FUSELINKBAYONET8A	FUSE LINK BAY-O-NET 8 AMP
15022512	FUSELINKBAYONET15A	FUSE LINK BAY-O-NET 15 AMP
15022515	FUSELINKBAYONET25A	FUSE LINK BAY-O-NET 25 AMP
15022525	FUSELINKBAYONET40A	FUSE LINK BAY-O-NET 40 AMP
15022530	FUSELINKBAYONET50A	FUSE LINK BAY-O-NET 50 AMP
15022535	FUSELINKBAYONET65A	FUSE LINK BAY-O-NET 65 AMP
15022545	FUSELINKBAYONET100A	FUSE LINK BAY-O-NET 100 AMP
15022555	FUSELINKBAYONET140A	FUSE LINK BAY-O-NET 140 AMP
15022560	FUSELINKBAYONET125A	FUSE LINK BAY-O-NET 125 AMP
15022562	FUSERFIL125SM-5S	FUSE REFILL FOR SG 125E A SM-5S
15022570	FUSESOLIDBAYONET	FUSE SOLID BOY-O-NET SLUG

REV_DATE:
04/01/26

NOTE:
SEE DISTRIBUTION SYSTEM PROTECTION
GWP FOR FUSING GUIDELINES.



- 1502-30-05 40E
- 1502-30-10 50E
- 1502-30-15 65E
- 1502-30-20 80E
- 1502-30-25 100E
- 1502-30-30 125E
- 1502-30-40 175E
- 1502-30-45 200E
- 1502-30-35 150E

CU-REF	CU-ID	CU-DESCRIPTION
15023005	FUSERFIL40SML-4Z	FUSE REFILL SG 40E A SML-4Z
15023010	FUSERFIL50SML-4Z	FUSE REFILL SG 50E A SML-4Z
15023015	FUSERFIL65SML-4Z	FUSE REFILL FOR SG 65E SML-4Z
15023020	FUSERFIL80SML-4Z	FUSE REFILL SG 80E A SML-4Z
15023025	FUSERFIL100SML-4Z	FUSE REFILL FOR SG 100E A SML-4Z
15023030	FUSERFIL125SML-4Z	FUSE REFILL FOR SG 125E A SML-4Z
15023035	FUSERFIL150SML-4Z	FUSE REFILL FOR SG 150E A SML-4Z
15023040	FUSERFIL175SML-4Z	FUSE REFILL FOR SG 175E A SML-4Z
15023045	FUSERFIL200SML-4Z	FUSE REFILL FOR SG 200E A SML-4Z
15023050	FUSERFIL100SM-5S	FUSE REFILL FOR SG 100E A SM-5S
15023062	FUSERFIL150SM-5S	FUSE REFILL FOR SG 150E A SM-5S