

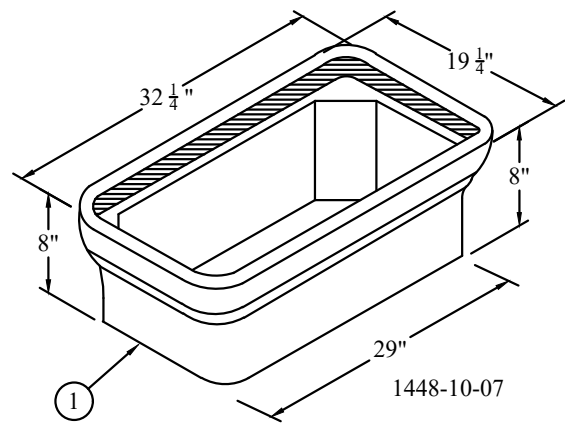
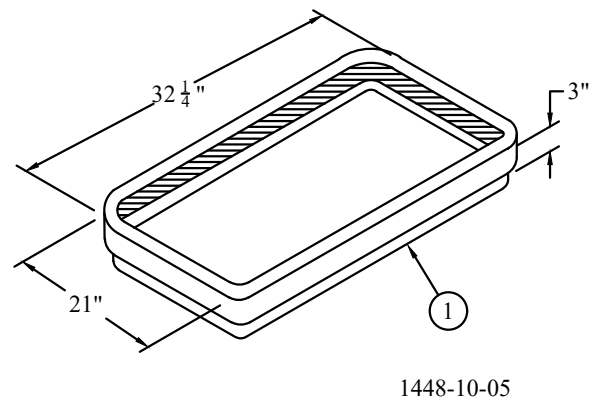
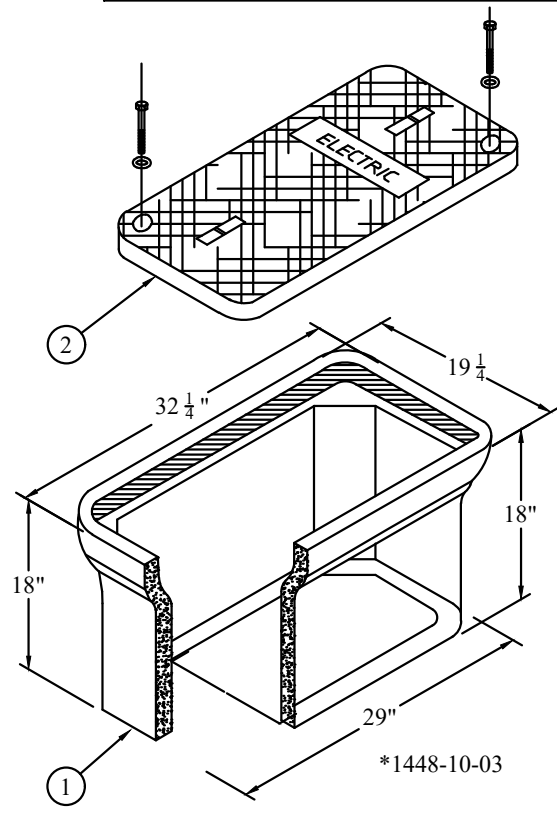
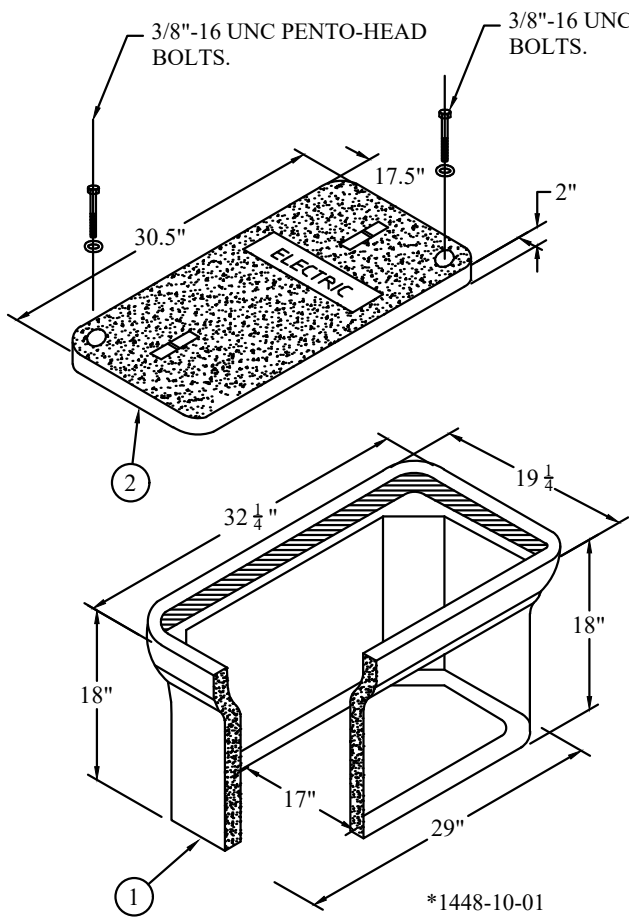
1448

PULL BOXES

CONTAINS

- 1448-11 PULL BOX 17 IN. X 30 IN.
- 1448-12 PULL BOX 18 IN. NON-TRAFFIC TYPE
- 1448-14 PULL BOX 18 IN. EXISTING CONDUIT
- 1448-15 PULL BOX 18 IN. TRAFFIC COVER
- 1448-30 PULL BOX 36 IN. NON-TRAFFIC COVER
- 1448-31 PULL BOX 36 IN. TRAFFIC COVER
- 1448-32 PULL BOX 48 IN. NON-TRAFFIC COVER
- 1448-33 PULL BOX 48 IN. TRAFFIC COVER

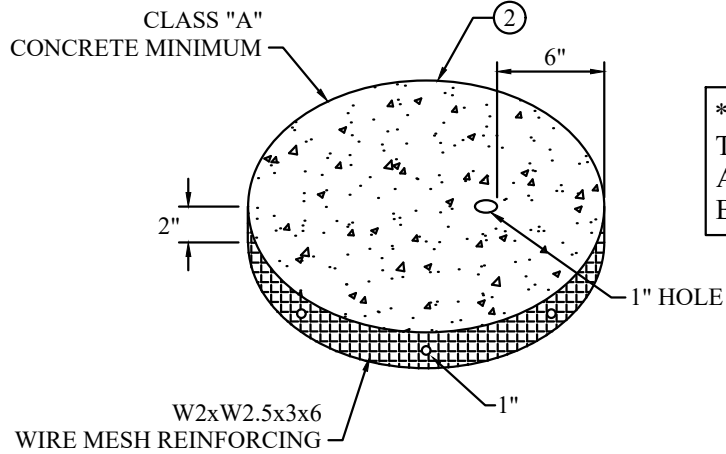
*THESE MODULES HAVE MULTIPLE CU'S THAT ARE ASSOCIATED WITH THEM AND ARE DETERMINED BY CONTRACT LABOR BID UNITS
DOUBLE-CHECK THAT 2- 3/8"-16 UNC PENTO-HEAD BOLTS ARE INCLUDED IN THE MATERIAL.



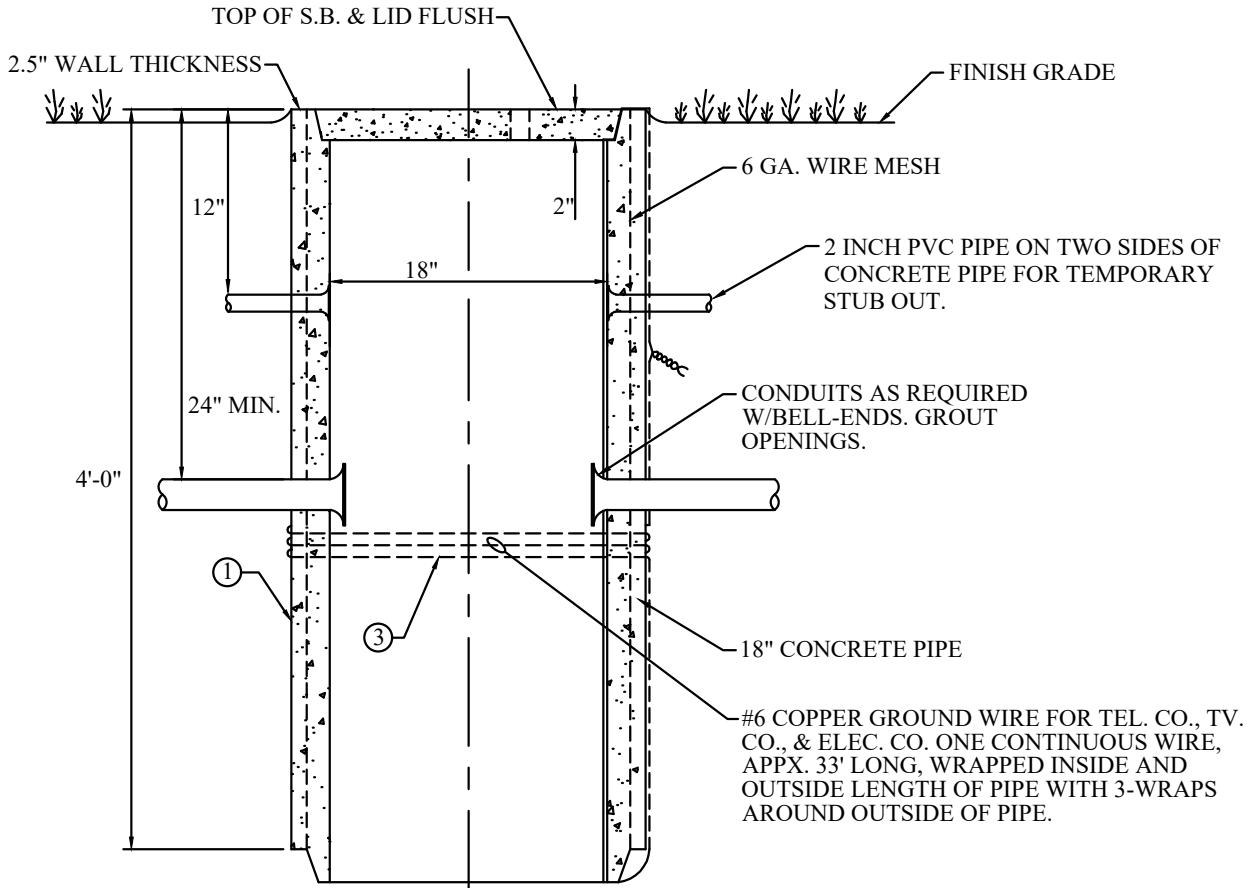
CU-REF	CU-ID	CU-DESCRIPTION
14481101E	PB17X30WSCE	PB 17IN X 30IN W/STD COVER EAST
14481101W	PB17X30WSCW	PB 17IN X 30IN W/STD COVER WEST
14481101N	PB17X30WSCN	PB 17IN X 30IN W/STD COVER NETWORK
14481103E	PB17X30WHDC	PB 17IN X 30IN W/HD COVER EAST
14481103W	PB17X30WHDCW	PB 17IN X 30IN W/HD COVER WEST
14481103N	PB17X30WHDCN	PB 17IN X 30IN W/HD COVER NETWORK
14481105	EXT3IN-17X30PB	EXTENSION 3IN FOR 17IN X 30IN PB
14481107	EXT8IN-17X30PB	EXTENSION 8IN FOR 17IN X 30IN PB

REV_DATE:
04/01/26

PULL BOX 18 IN. NON-TRAFFIC TYPE



*THIS MODULE HAS MULTIPLE CU'S THAT ARE ASSOCIATED WITH IT AND ARE DETERMINED BY CONTRACT LABOR BID UNITS

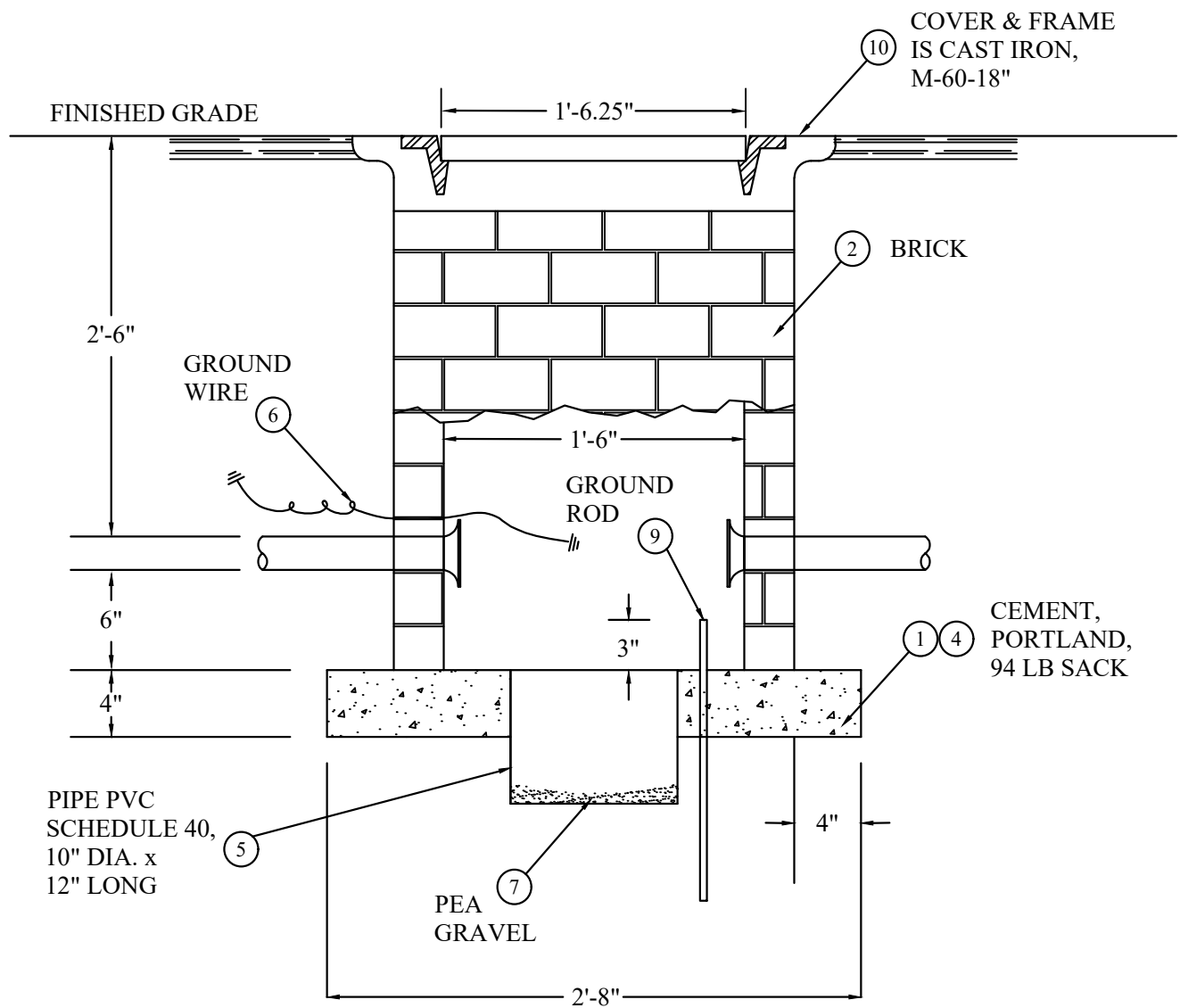


SERVICE BOX SECTION
*1448-12-01

CU-REF	CU-ID	CU-DESCRIPTION
14481201E	PB18INWSC E	PB 18" ROUND W/STD COVER EAST
14481201W	PB18INWSC W	PB 18" ROUND W/STD COVER WEST
14481201N	PB18INWSC N	PB 18" ROUND W/STD COVER NETWORK

REV_DATE:
04/01/26

PULL BOX 18 IN. EXISTING CONDUIT



*1448-15-18

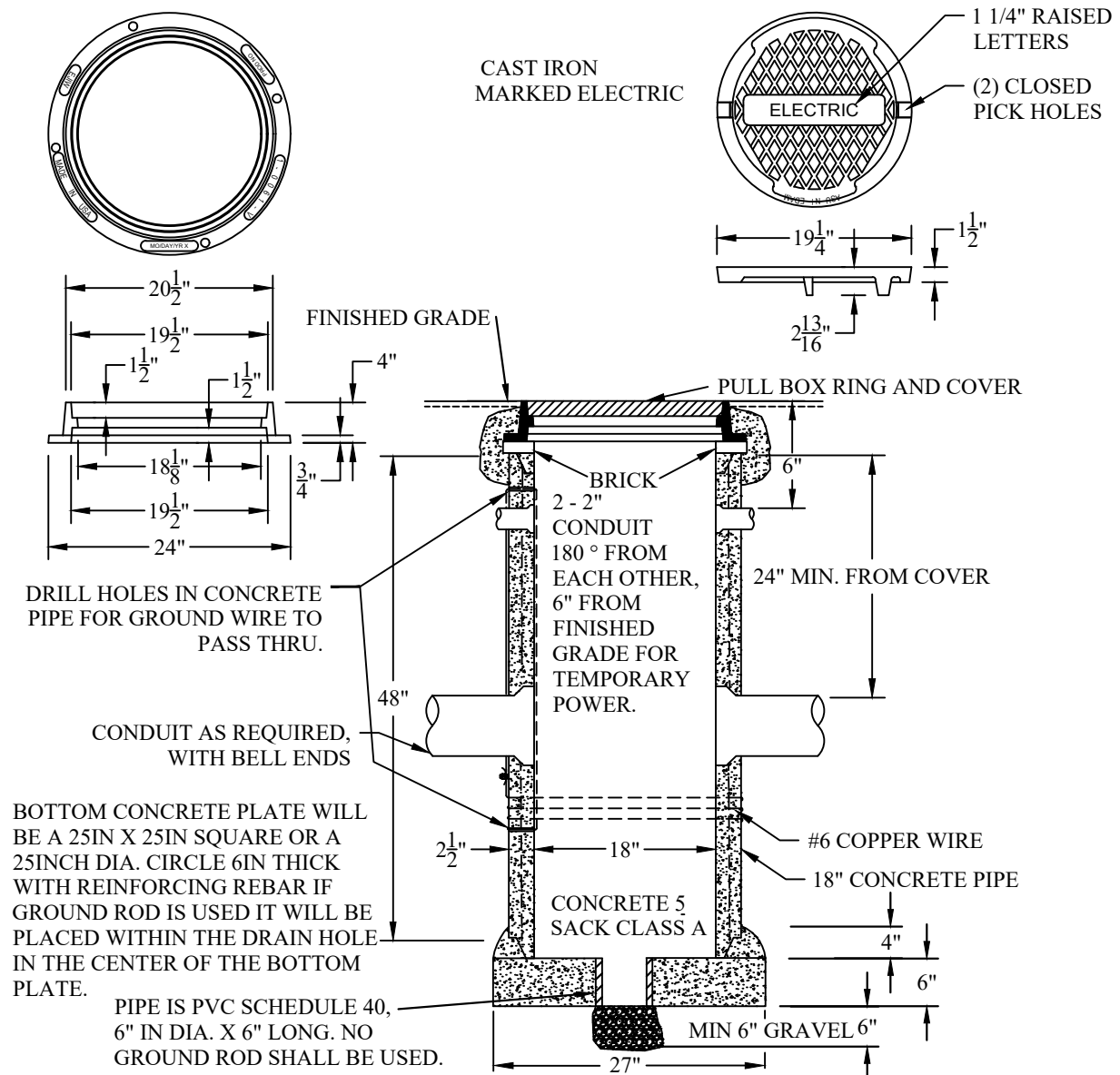
NOTES

- *GROUNDING: 35' OF 2/0 STRANDED BARE SOFT-DRAWN, TINNED COPPER GROUND OR 5/8" X 8'-0" CU. COPPERW ELD GROUND ROD . (SEE GROUNDING DETAIL 1488-10 AND 1488-20).
- *BELL ENDS NEED TO BE GROUTED FLUSH TO THE WALLS.

CU-REF	CU-ID	CU-DESCRIPTION
14481418E	PB18INWHDCE	PB 18" W/HD COVER EAST
14481418W	PB18INWHD CW	PB 18" W/HD COVER WEST
14481418N	PB18INWHD CN	PB 18" W/HD COVER NETWORK

PULL BOX 18 IN. TRAFFIC COVER

DETAILS
STRUCTURE GROUNDING: SEE 1488-10 & 1488-20



DRILL HOLES IN CONCRETE PIPE FOR GROUND WIRE TO PASS THRU.

CONDUIT AS REQUIRED, WITH BELL ENDS

BOTTOM CONCRETE PLATE WILL BE A 25IN X 25IN SQUARE OR A 25INCH DIA. CIRCLE 6IN THICK WITH REINFORCING REBAR IF GROUND ROD IS USED IT WILL BE PLACED WITHIN THE DRAIN HOLE IN THE CENTER OF THE BOTTOM PLATE.

PIPE IS PVC SCHEDULE 40, 6" IN DIA. X 6" LONG. NO GROUND ROD SHALL BE USED.

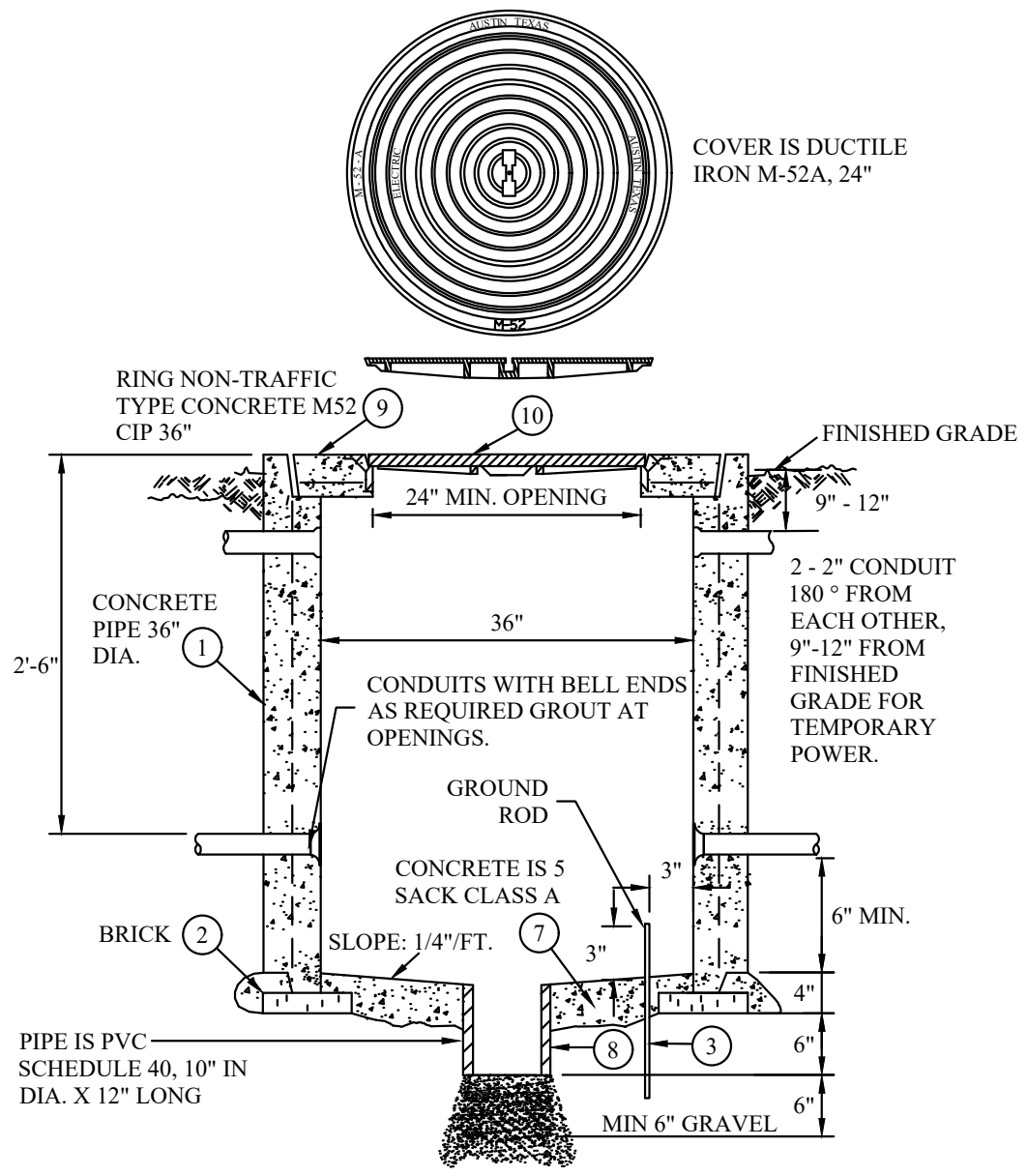
- 12 INCHES MINIMUM DISTANCE MEASURED BOTH HORIZONTALLY AND VERTICALLY FROM AE'S UNDERGROUND FACILITIES (CABLE, CONDUIT, DUCT STRUCTURE, PULL BOXES, AND SUCH), OR CROSS AE UG FACILITIES. JOINT TRENCH IS PERMITTED WITH OTHER UTILITIES ONLY BY WRITTEN AGREEMENT WITH AE.
- CONCRETE PIPE SHALL BE 4 FT X 18 INCH ID X 2.5 INCH WALL THICKNESS, AND BE RCP C76 CLASS III WITH STEEL REINFORCEMENT ASTM A615 GRADE 60.
- GROUNDING: 35' OF #6 SOLID BARE SOFT-DRAWN, BARE COPPER GROUND. (SEE GROUNDING 1 DETAIL 1488-10 AND 1488-20). DRILL 2, INCH HOLES, IN CONCRETE PIPE TO PASS GROUND WIRE 2 THRU. ONE HOLE JUST BELOW THE BOTTOM OF THE LIP ON THE 18" PIPE AND THE OTHER 6 INCHES BELOW THE CONDUIT FOR THE SECONDARY CABLES.
- BELL ENDS NEED TO BE GROUTED FLUSH TO THE WALLS.
- ALL TRAFFIC TYPE ARE TO HAVE CONCRETE FOOTING. ALL NON TRAFFIC TYPE ARE TO HAVE GRAVEL FOOTING..
- USE RUBBER RINGS FOR ADJUSTING HEIGHT OR ANGLE OF RING & COVER. USE CAST IRON 2IN RISER FOR HEIGHT ADJUSTMENT IN ROADWAYS.

CU-REF	CU-ID	CU-DESCRIPTION
14481518E	PB18INWPIPEHDCE	PB 18" W/PIPE HD COVER EAST
14481518W	PB18INWPIPEHDCW	PB 18" W/PIPE HD COVER WEST
14481518N	PB18INWPIPEHDCN	PB 18" W/PIPE HD COVER NETWORK

REV_DATE:
04/01/26

PULL BOX 36 IN. NON-TRAFFIC COVER

DETAILS
STRUCTURE GROUNDING: SEE 1488-10 & 1488-20



*1448-30-11

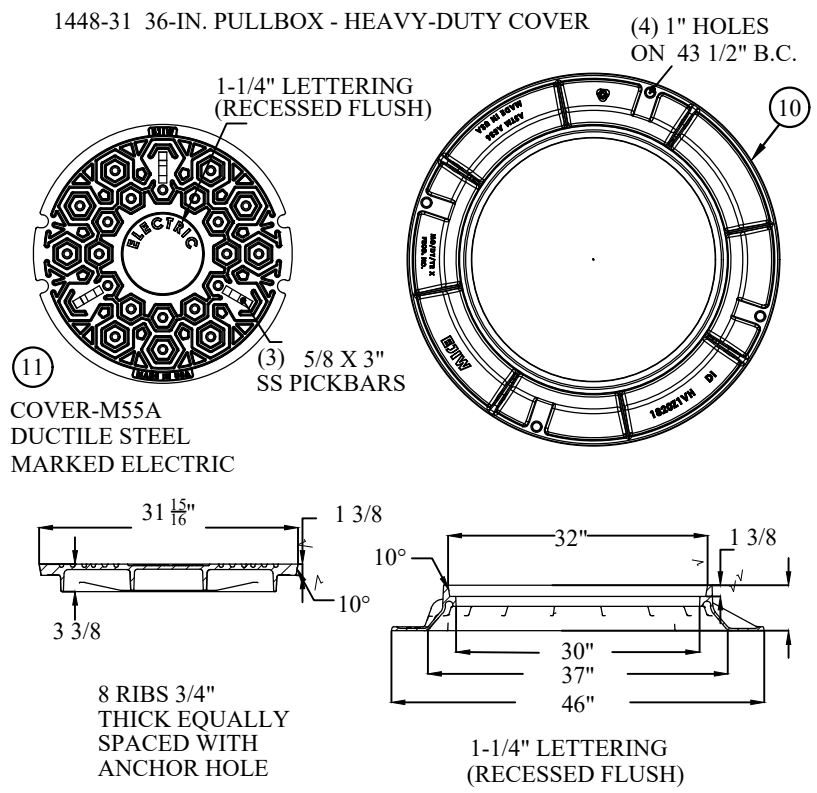
- NOTES:
- * GROUNDING: 35' OF 2/0 STRANDED BARE SOFT-DRAWN, TINNED COPPER GROUND OR 5/8" X 8'-0"CU. COPPERWELD GROUND ROD.
 - * METAL RING & CONCRETE RING PRE-CAST TO FIT GROOVE DIA. & DEPTH W/ 1/2" CLEARANCE AROUND EDGE OF PULL BOX.
 - * USE TRAFFIC TYPE SHOWN ON PAGE 1448-31 WHEN THE PULL BOX IS INSTALLED IN DRIVEWAYS OR PARKING LOTS
 - *TOP OF BOX NEEDS TO BE 3" TO 4" ABOVE NATURAL GROUND LEVEL.

CU-REF	CU-ID	CU-DESCRIPTION
14483011E	PB36INWSCE	PB 36" W/STD COVER EAST
14483011W	PB36INWSCW	PB 36" W/STD COVER WEST
14483011N	PB36INWSCN	PB 36" W/STD COVER NETWORK

REV_DATE:
04/01/26

PULL BOX 36 IN. TRAFFIC COVER

DETAILS
STRUCTURE GROUNDING: SEE 1488-10 & 1488-20

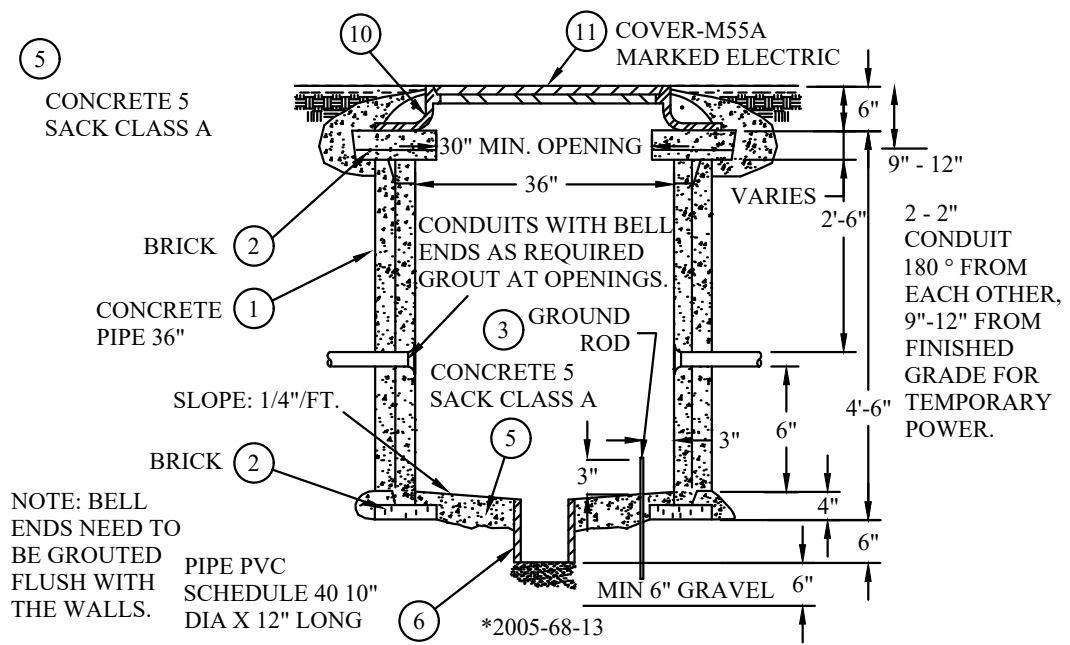


NOTES:
* GROUNDING 35' OF 2/0 STRANDED BARE SOFT-DRAWN, COPPER GROUND OR 5/8" X 8'-0" C.U. COPPERWELD GROUND ROD.

* METAL RING & CONCRETE RING PRE-CAST TO FIT GROOVE DIA. & DEPTH W/ 1/2" CLEARANCE AROUND EDGE OF PULL BOX.

* 48" PULL BOXES SHALL BE REQUIRED WHENEVER IT IS NECESSARY TO STACK TWO PULL BOXES.

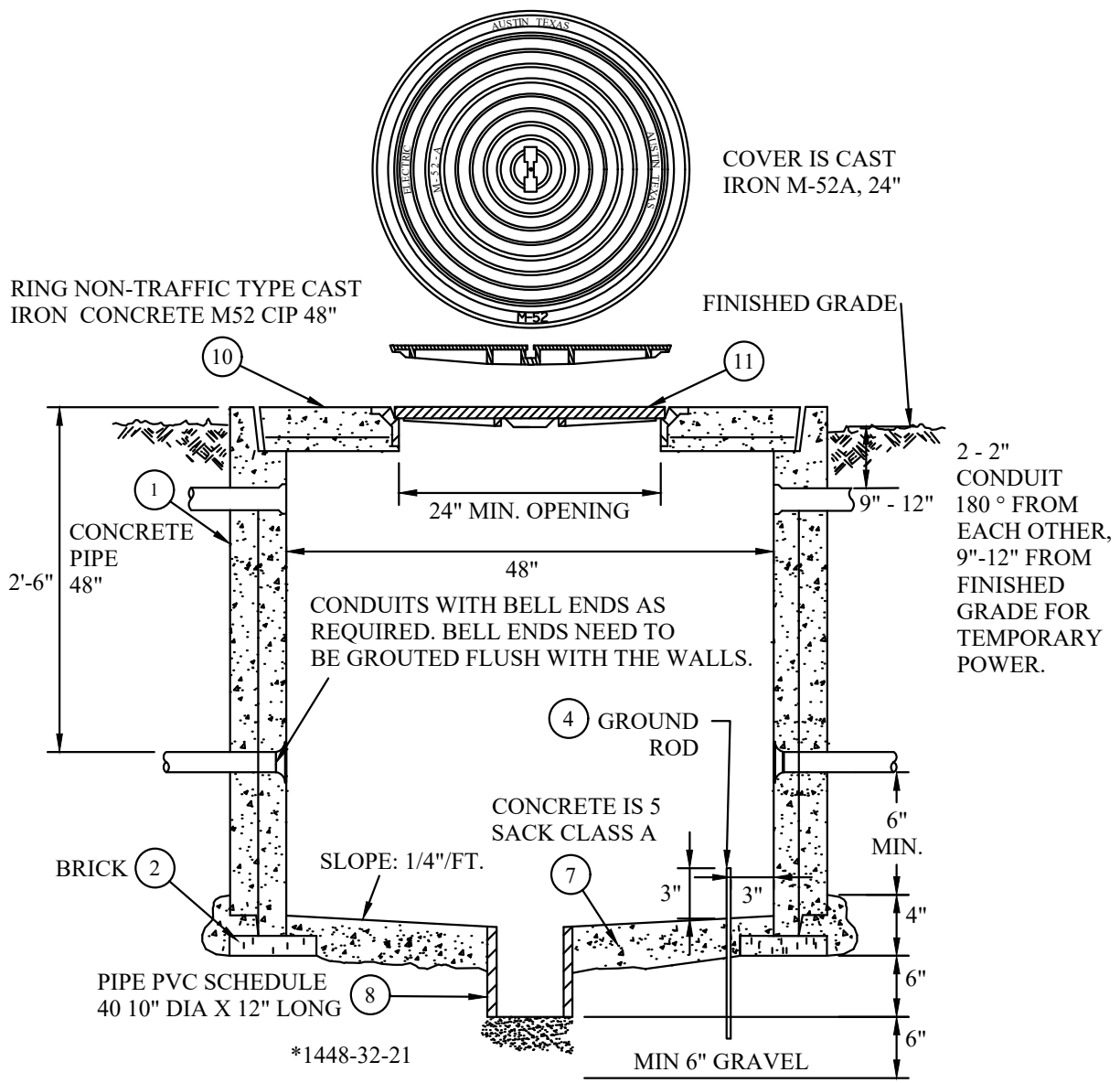
NOTE: RING AND COVER SEAT TO BE MACHINED. RING DUCTILE IRON M55 30"



CU-REF	CU-ID	CU-DESCRIPTION
14483113E	PB36INWHDCE	PB 36" W/HD COVER EAST
14483113W	PB36INWHD CW	PB 36" W/HD COVER WEST
14483113N	PB36INWHD CN	PB 36" W/HD COVER NETWORK

PULL BOX 48 IN. NON-TRAFFIC COVER

DETAILS
 STRUCTURE GROUNDING: SEE 1488-10 & 1488-20



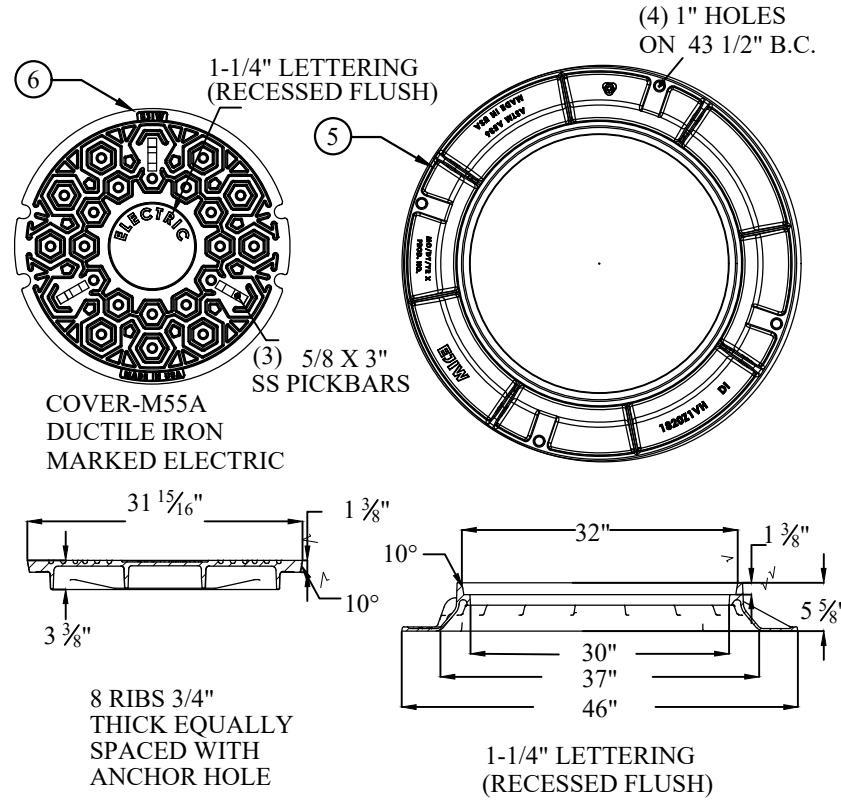
- NOTES:
- * GROUNDING: 35' OF 2/0 STRANDED BARE SOFT-DRAWN, TINNED COPPER GROUND OR 5/8"x 8'-0"CU. COPPERWELD GROUND ROD.
 - * METAL RING & CONCRETE RING PRE-CAST TO FIT GROOVE DIA. & DEPTH W/ 1/2" CLEARANCE AROUND EDGE OF PULL BOX.
 - * 48" PULL BOXES SHALL BE REQUIRED WHENEVER IT IS NECESSARY TO STACK TWO PULL BOXES.
 - * TOP OF BOX NEEDS TO BE 3" TO 4" ABOVE NATURAL GROUND LEVEL.
 - * USE TRAFFIC TYPE WHEN THE HANDHOLD IS INSTALLED IN DRIVEWAYS AND PARKING LOTS. SEE 1488-33.

CU-REF	CU-ID	CU-DESCRIPTION
14483221E	PB48INWSCE	PB 48" W/STD COVER EAST
14483221W	PB48INWSCW	PB 48" W/STD COVER WEST
14483221N	PB48INWSCN	PB 48" W/STD COVER NETWORK

REV_DATE:
04/01/26

PULL BOX 48 IN. TRAFFIC COVER

DETAILS
STRUCTURE GROUNDING: SEE 1488-10 & 1488-20

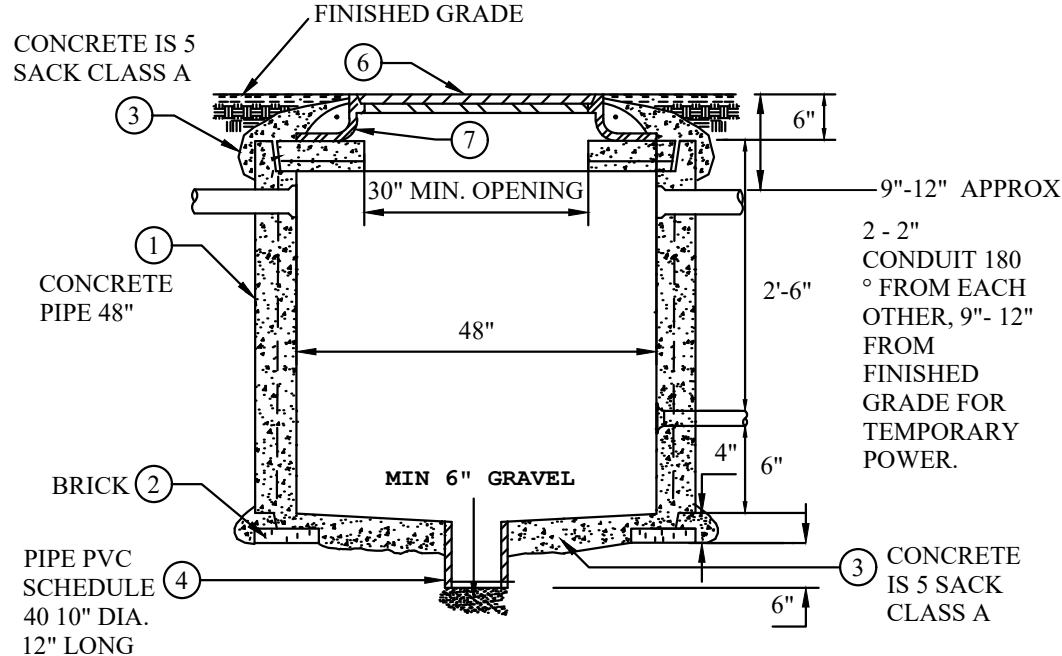


NOTES:
* GROUNDING 35' OF 2/0 STRANDED BARE SOFT-DRAWN, TINNED COPPER GROUND OR 5/8" X 8'-0" C.U. COPPERWELD GROUND ROD.

* METAL RING & CONCRETE RING PRE-CAST TO FIT GROOVE DIA. & DEPTH W/ 1/2" CLEARANCE AROUND EDGE OF PULL BOX.

* 48" PULL BOXES SHALL BE REQUIRED WHENEVER IT IS NECESSARY TO STACK TWO PULL BOXES.

NOTE: RING AND COVER SEAT TO BE MACHINED. RING DUCTILE IRON M55 30"



CU-REF	CU-ID	CU-DESCRIPTION
14483323E	PB48INWHDCE	PB 48" W/HD COVER EAST
14483323W	PB48INWHDCEW	PB 48" W/HD COVER WEST
14483323N	PB48INWHDCEN	PB 48" W/HD COVER NETWORK