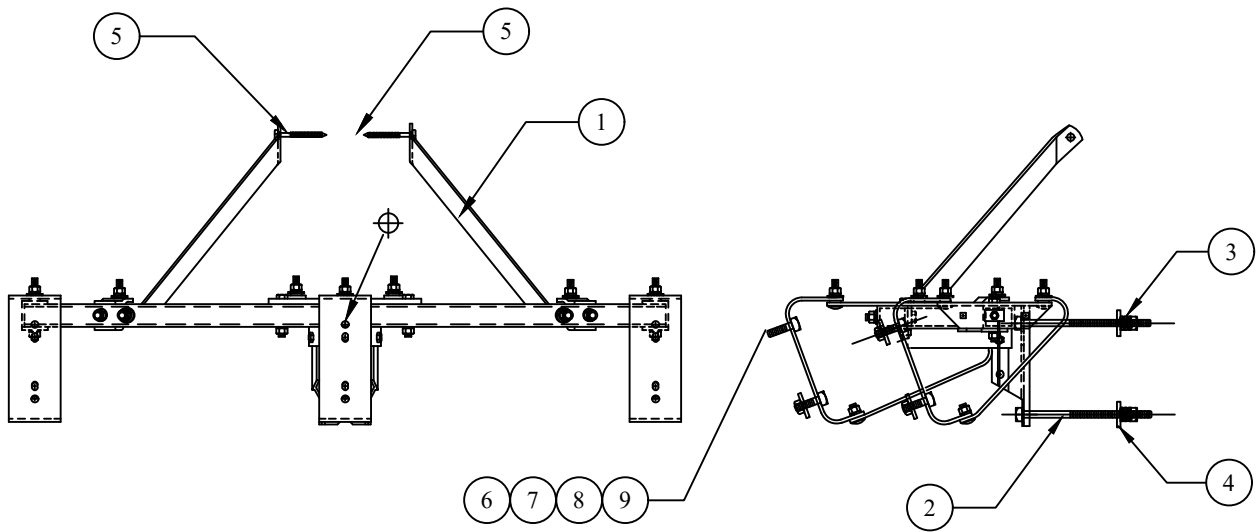
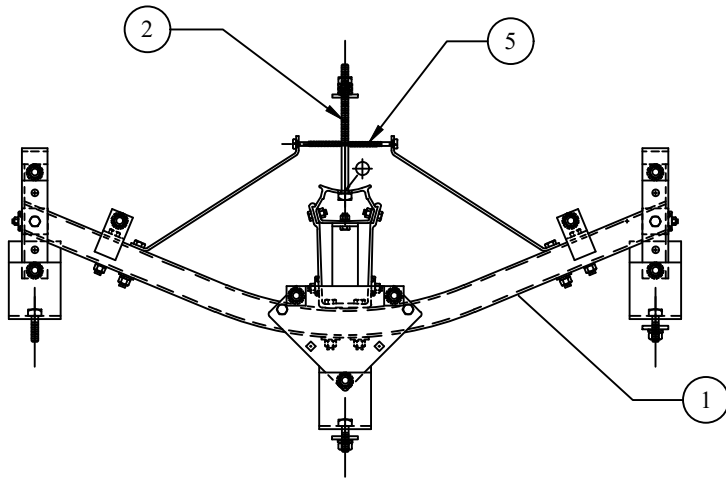


# 1370

## 900 AMP SWITCHES AND ASSEMBLIES

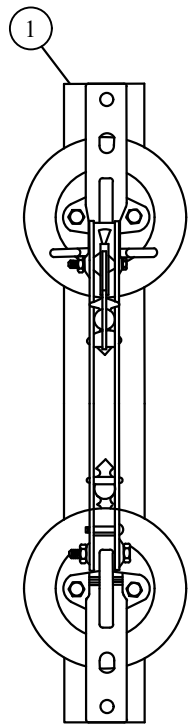
### CONTAINS

- 1370-01 BRACKET MOUNT 900A SWITCH RISER**
- 1370-05 SWITCH DISCONNECT 900 AMP**
- 1370-06 SWITCH DISCONNECT LINE TAP 900A 15KV**
- 1370-40 AIR SWITCH TOP-MOUNT ASSEMBLY**
- 1370-45 AIR SWITCH FACE-MOUNT ASSEMBLY**
- 1370-50 AIR SWITCH FACE-MOUNT ASSEMBLY, POWER CABLE RISER**



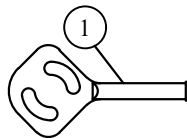
1370-01-01

CU-REF	CU-ID	CU-DESCRIPTION
13700101	BRKTMT900ASW	BRACKET MOUNT 900A SWITCH

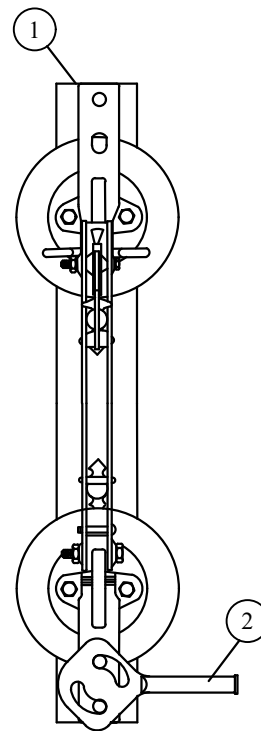


1370-05-01

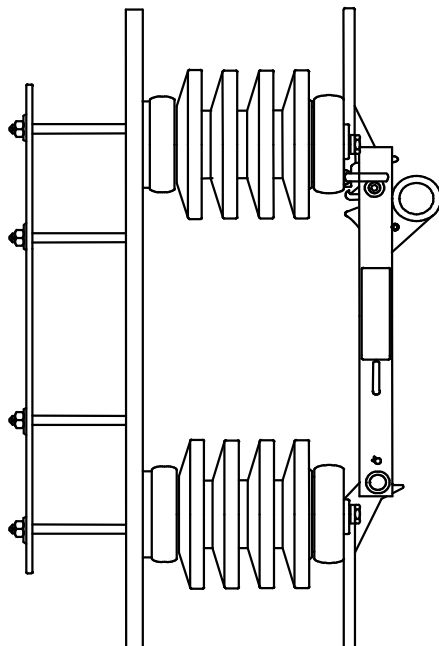
FRONT VIEW



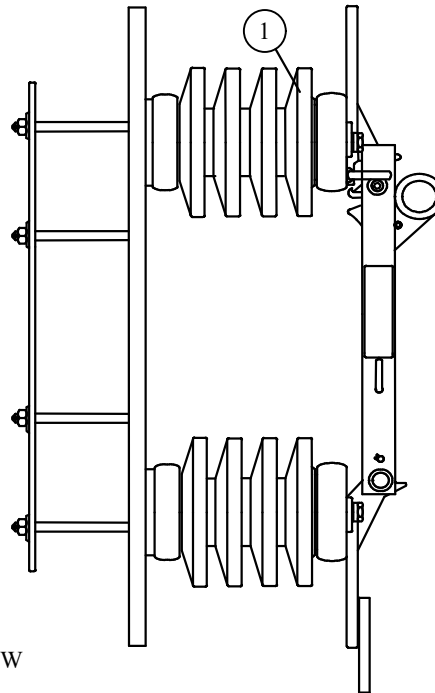
1370-05-10



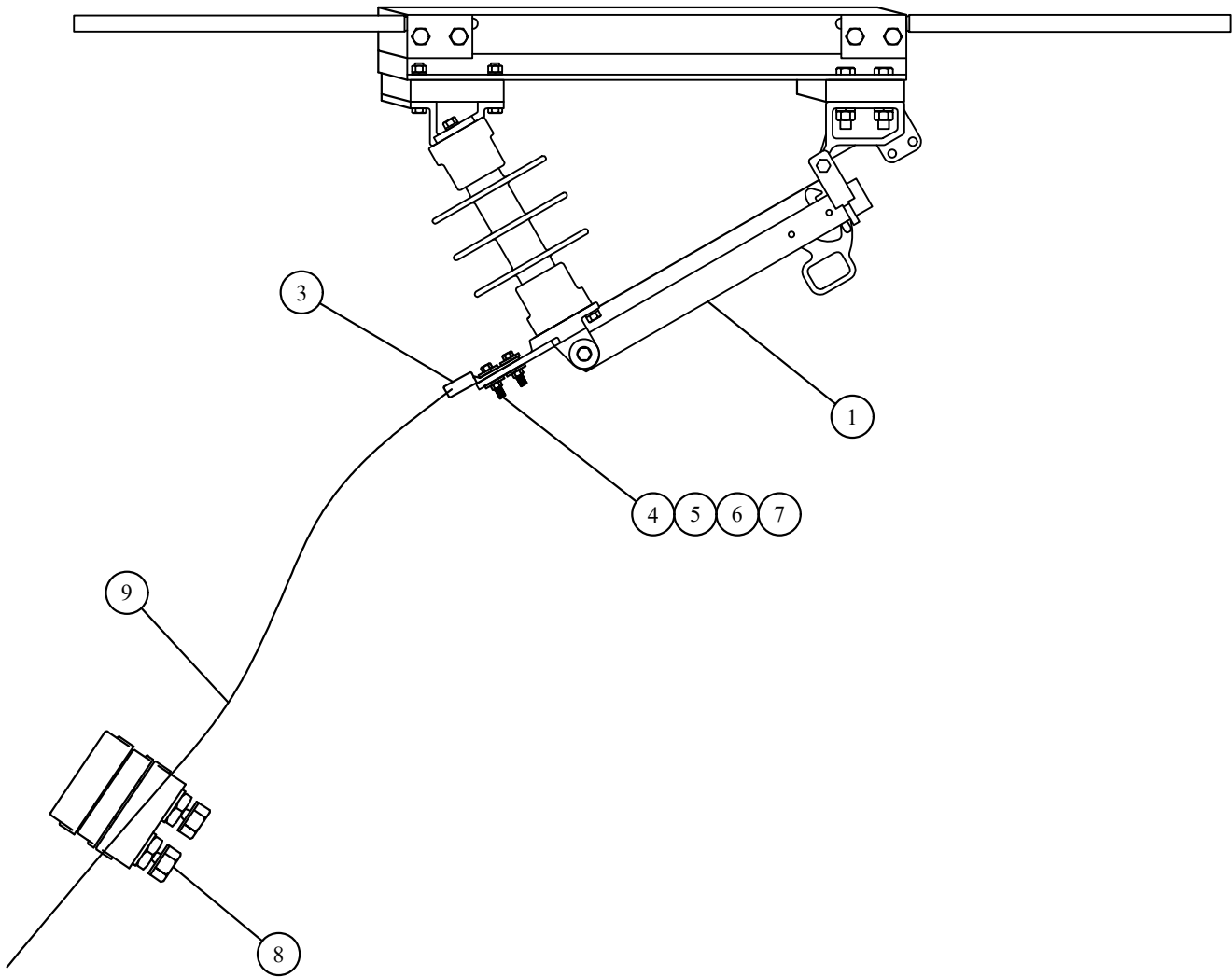
FRONT VIEW



SIDE VIEW



CU-REF	CU-ID	CU-DESCRIPTION
13700501	SWDSCT900A15KV	SWITCH DISCONNECT 900A 15KV
13700510	CNSTUDGRD	CONNECTOR STUD GROUND
13700520	SWDSCTWGRDSTUD900A15KV	SWITCH DISCONNECT W/GRD STUD 900A 15KV

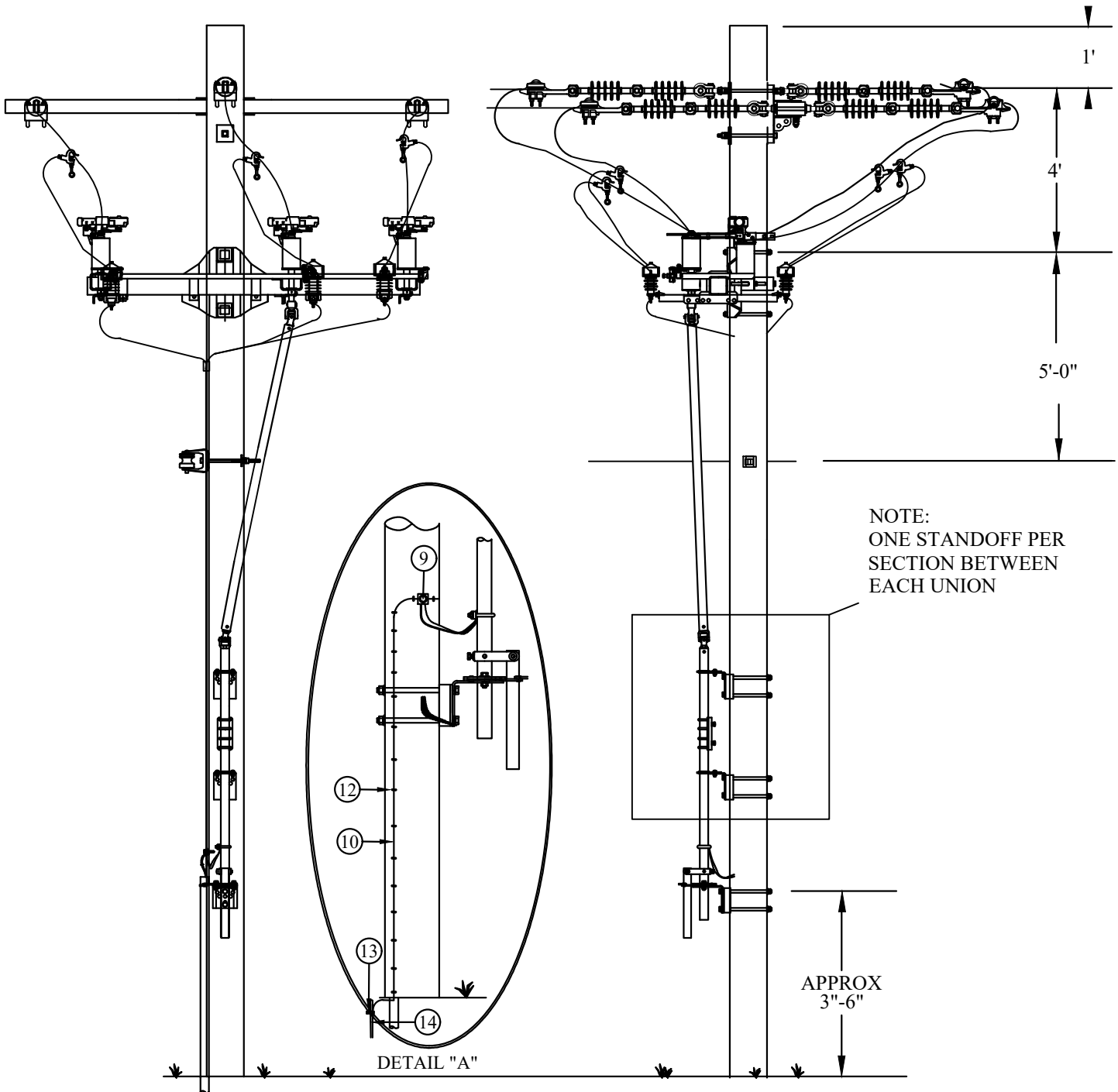


PLEASE REFER TO  
DISTRIBUTION PLANNING  
FOR SWITCH DISCONNECT  
LINE TAP 900A

1370-06-01

CU-REF	CU-ID	CU-DESCRIPTION
13700601	SWDSCTLNTP900A15KV	SWITCH DISCONNECT LINE TAP 900A 15KV

REV\_DATE:  
04/01/26



NOTE:  
ONE STANDOFF PER  
SECTION BETWEEN  
EACH UNION

APPROX  
3"-6"

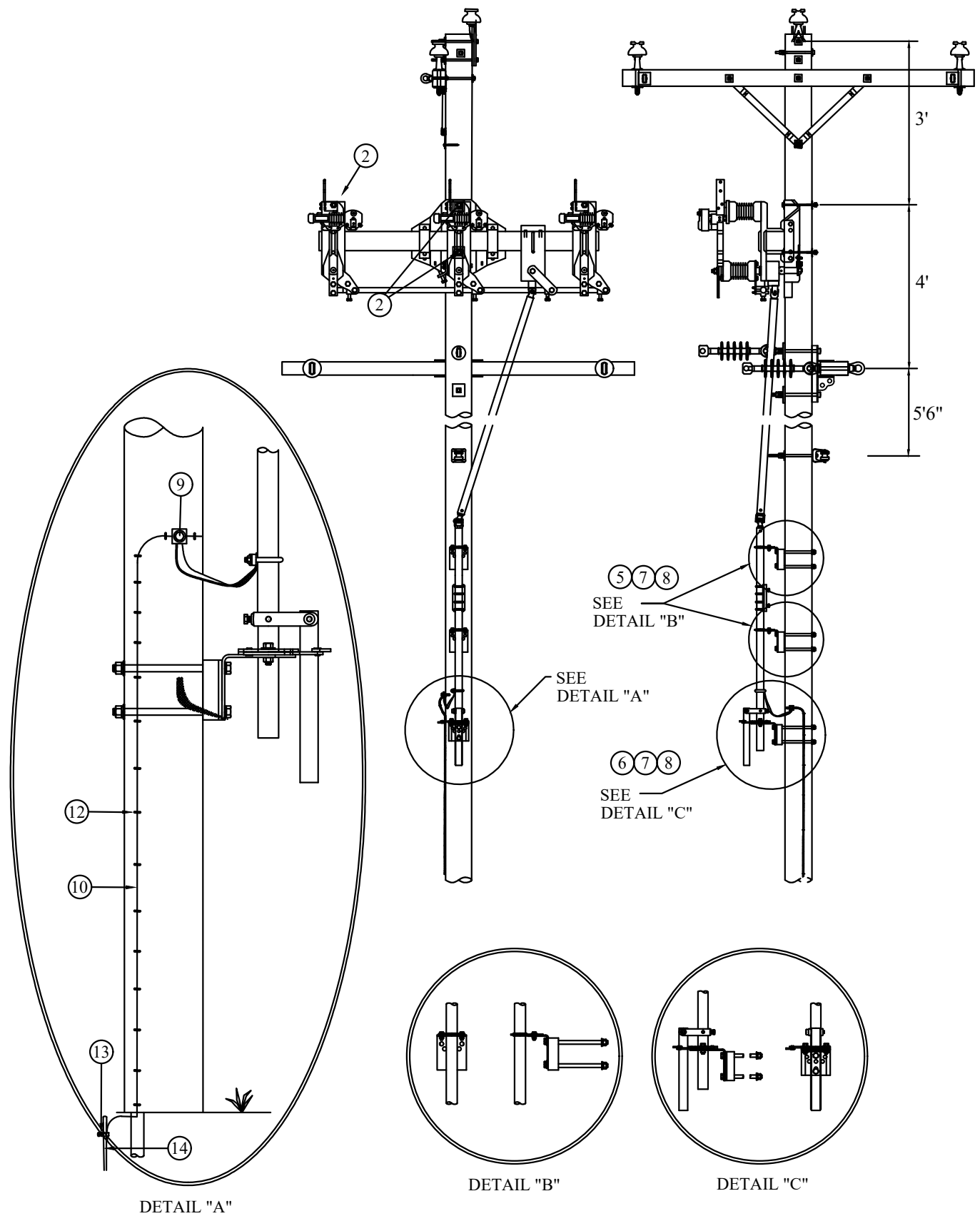
1370-40-01

NOTE: REPLACE EXISTING POLE GROUNDS W. #2 TINNED CU

CU-REF	CU-ID	CU-DESCRIPTION
13704001	SWAIRHORTMASSY900A	SWITCH AIR HORIZ TOP MOUNT ASSY 900A
13704011	SWAIRHORTMASSOMOD5FTFGARM	SWITCH AIR HORIZ TM ASSO MOD 5FT FG ARM
13704013	SWAIRHORTMASSOMOD8FTFGARM	SWITCH AIR HOR TM ASSO MOD 8FT FG ARM
13704015	SWAIRHORTMASSOMO10FTFGARM	SWITCH AIR HORIZ TM ASSO MOD 10FT FG ARM
13704017	SWAIRHORTMASSOMO12FTFGARM	SWITCH AIR HORIZ TM ASSO MOD 12FT FG ARM
13704019	SWAIRHORTMASSOMODELFSUP	SWITCH AIR HOR TM ASSO MOD SELF SUPPORT

REV\_DATE:

04/01/26



DETAIL "A"

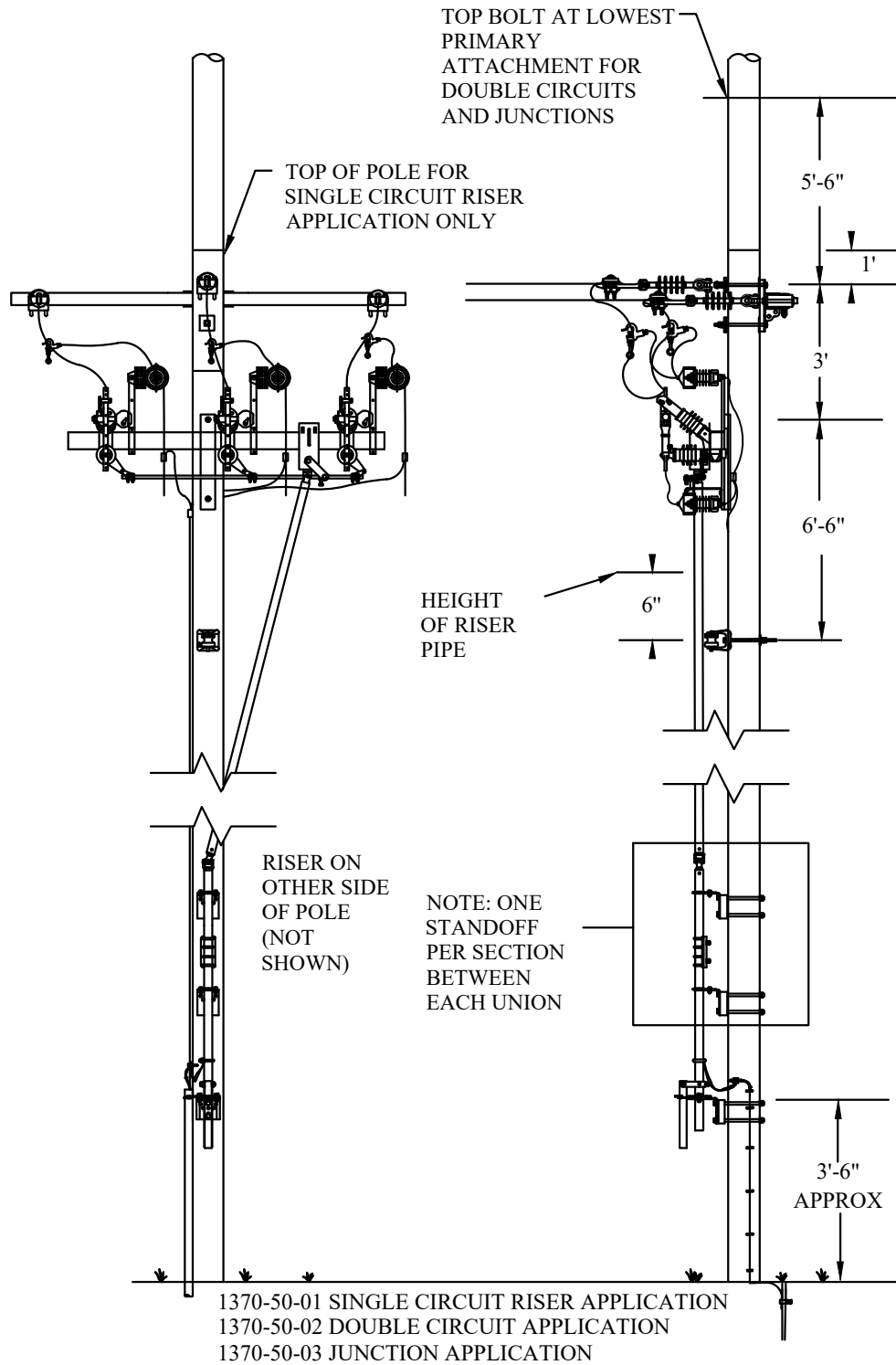
DETAIL "B"

DETAIL "C"

CU-REF	CU-ID	CU-DESCRIPTION
13704501	SWAIRFM900A	SWITCH AIR FACE MOUNT 900 AMP

REV\_DATE:

04/01/26



NOTE: REPLACE EXISTING POLE GROUNDS W. #2 TINNED CU

SEE 1370 ASSOCIATED MODULES

MU-REF	MU-ID	MU-DESCRIPTION
13705001	SWAIRFMASSY900A	SWITCH AIR FACE MOUNT ASSY 900A
13705002	SWAIRFMASSYDBLCKT	SWITCH AIR FACE MOUNT DBL CKT
13705003	SWAIRFMASSYJUNC	SWITCH AIR FACE MOUNT ASSEMBLY JUNCTION