

1368

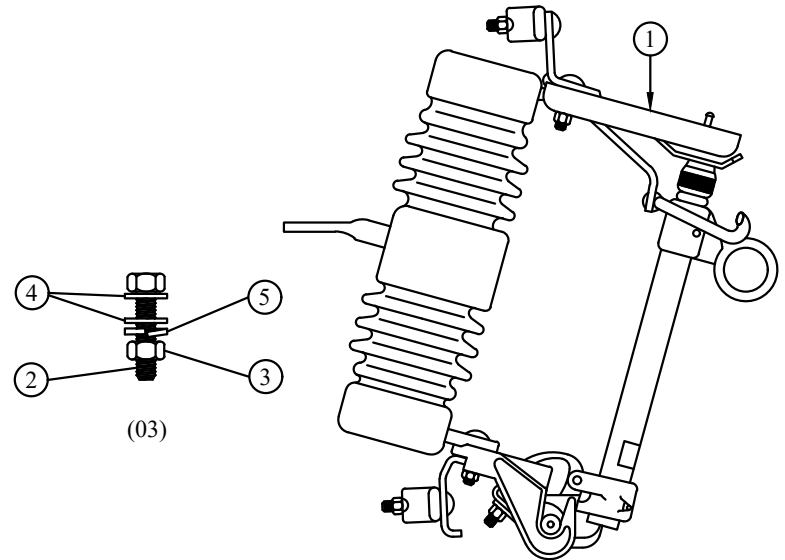
CUTOUTS, ARRESTERS, AND ASSEMBLIES

CONTAINS

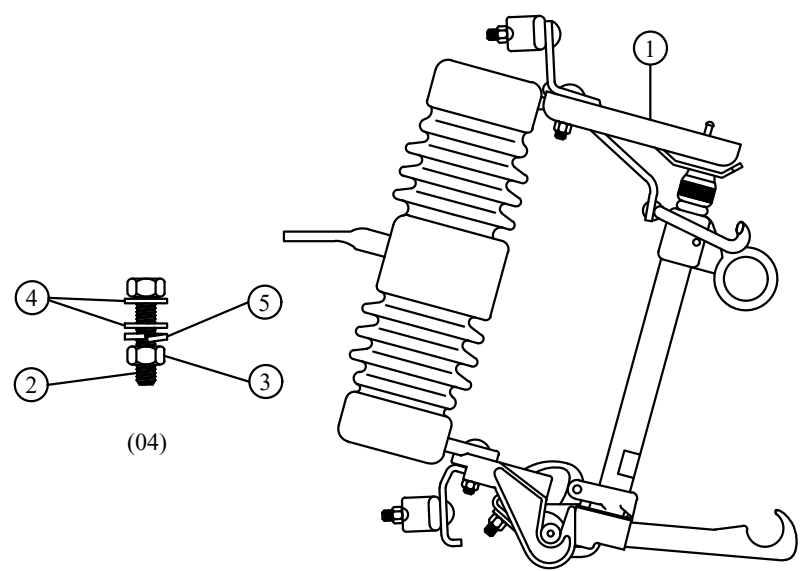
- 1368-01 CUTOUTS
- 1368-02 FUSES
- 1368-03 ARRESTERS
- 1368-04 STIRRUPS
- 1368-05 JUMPER ASSEMBLIES
- 1368-06 BRACKET L FOR CUTOUTS/ARRESTERS
- 1368-07 CUTOUT/ARRESTER BRACKET FOR 1PH, 2PH
- 1368-08 CUTOUT/ARRESTER BRACKET FOR 3PH
- 1368-09 CUTOUT/ARRESTER ASSEMBLIES 1PH
- 1368-10 CUTOUT/ARRESTER ASSEMBLIES 2PH
- 1368-11 CUTOUT/ARRESTER ASSEMBLIES 3PH
- 1368-12 CUTOUT ASSEMBLIES FOR WOOD ARMS DE
- 1368-13 TRIPSAVER II CUTOUT

REV_DATE:
04/01/26

CUTOUTS



1368-01-01
1368-01-03
1368-01-10
1368-01-15



1368-01-02
1368-01-04
1368-01-13

CU-REF	CU-ID	CU-DESCRIPTION
13680101	CO15KV	CUTOUT 15KV
13680102	CO15KVLB	CUTOUT 15KV W/LB
13680103	CO15KVWMTBT	CUTOUT 15KV WITH MOUNTING BOLT
13680104	CO15KVLBWMTBT	CUTOUT 15KV W/LB WITH MOUNTING BOLT
13680110	FUSHLD100A	FUSE HOLDER 100 AMP
13680113	FUSHLDWLB100A	FUSE HOLDER W/LINK BREAK 100 AMP
13680115	FUSHLD200A	FUSE HOLDER 200 AMP

POLE APPARATUS
CUTOUTS, ARRESTERS, AND ASSEMBLIES
FUSES

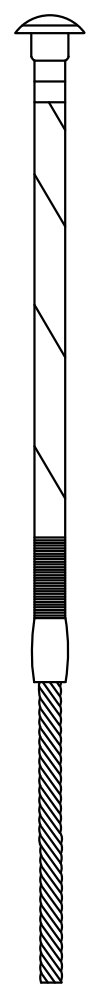
- 1368-02-10 (1/3 A TYPE X)
- 1368-02-13 (2 A TYPE X)
- 1368-02-15 (5.5 A TYPE X)
- 1368-02-16 (10 A TYPE X)
- 1368-02-17 (15 A TYPE X)

- 1368-02-50 (BD 300 A SOLID BLADE)

- 1368-02-71 (25 A TYPE KS)
- 1368-02-72 (40 A TYPE KS)
- 1368-02-73 (50 A TYPE KS)
- 1368-02-83 (65 A TYPE KS)
- 1368-02-86 (80 A TYPE KS)
- 1368-02-84 (100 A TYPE KS)
- 1368-02-85 (125 A TYPE KS)

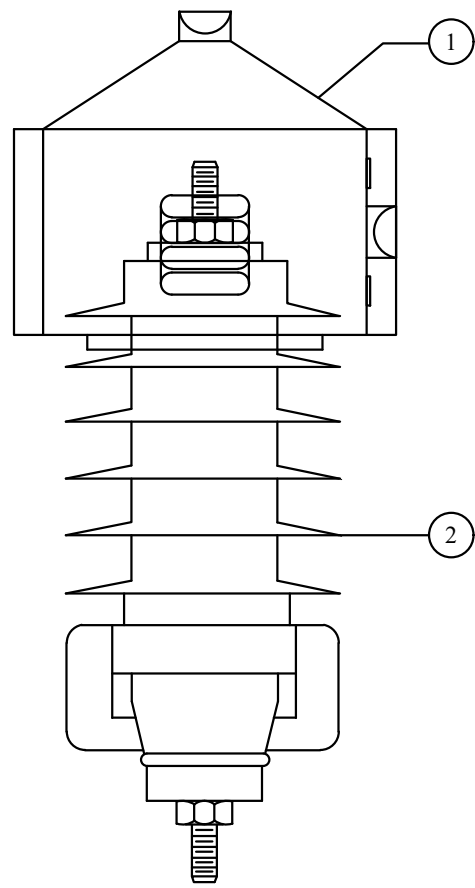
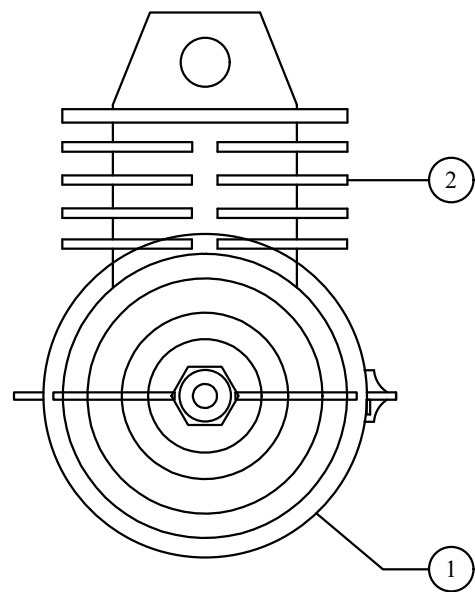
- 1368-02-30 5A TYPE 200 (N)
- 1368-02-32 10A TYPE 200 (N)
- 1368-02-33 15A TYPE 200 (N)
- 1368-02-34 20A TYPE 200 (N)
- 1368-02-36 30A TYPE 200 (N)
- 1368-02-37 40A TYPE 200 (N)
- 1368-02-38 50A TYPE 200 (N)
- 1368-02-39 65A TYPE 200 (N)
- 1368-02-40 80A TYPE 200 (N)
- 1368-02-41 100A TYPE 200 (N)
- 1368-02-42 125A TYPE 200 (N)
- 1368-02-43 150A TYPE 200 (N)
- 1368-02-44 200A TYPE 200 (N)

See Distribution Protection GWP for latest Fusing Policy, Tables, and Guidelines.



CU-REF	CU-ID	CU-DESCRIPTION
13680210	FUSELINK1/3A-X	FUSE LINK FITALL 1/3 AMP TYPE X
13680213	FUSELINK2A-X	FUSE LINK FITALL 2 AMP TYPE X
13680215	FUSELINK5-1/2A-X	FUSE LINK FITALL 5.5 AMP TYPE X
13680216	FUSELINK10A-X	FUSE LINK FITALL 10 AMP TYPE X
13680217	FUSELINK15A-X	FUSE LINK FITALL 15 AMP TYPE X
13680232	FUSELINK10A	FUSE LINK FITALL 10 AMP
13680233	FUSELINK15A	FUSE LINK FITALL 15 AMP
13680234	FUSELINK20A	FUSE LINK FITALL 20 AMP
13680236	FUSELINK30A	FUSE LINK FITALL 30 AMP (200) N TYPE
13680237	FUSELINK40AN	FUSE LINK FITALL 40 AMP N
13680238	FUSELINK50A	FUSE LINK FITALL 50 AMP
13680239	FUSELINK65A	FUSE LINK FITALL 65 AMP
13680240	FUSELINK80A	FUSE LINK FITALL 80 AMP
13680241	FUSELINK100A	FUSE LINK FITALL 100 AMP (N) 200
13680242	FUSELINK125A	FUSE LINK FITALL 125 AMP
13680243	FUSELINK150A	FUSE LINK FITALL 150 AMP
13680244	FUSELINK200A	FUSE LINK FITALL 200 AMP
13680250	BD300	BLADE DISCONNECT 300 AMP
13680271	FUSELINK25AKS	FUSE LINK FITALL 25 AMP KS
13680272	FUSELINK40AKS	FUSE LINK FITALL 40 AMP KS
13680273	FUSELINK50AKS	FUSE LINK FITALL 50 AMP KS
13680283	FUSELINK65AKS	FUSE LINK FITALL 65 AMP KS
13680284	FUSELINK100AKS	FUSE LINK FITALL 100 AMP KS
13680285	FUSELINK125AKS	FUSE LINK FITALL 125 AMP KS
13680286	FUSELINK80AKS	FUSE LINK 80A TYPE KS

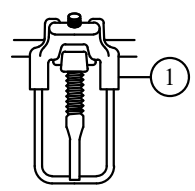
ARRESTERS



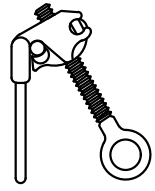
1368-03-01

FOR TRANSFORMERS, LINE, AND CAPACITORS

CU-REF	CU-ID	CU-DESCRIPTION
13680301	AROHLINE/XF/CAP	ARRESTOR FOR OH LINE/XFMR/CAP BANK

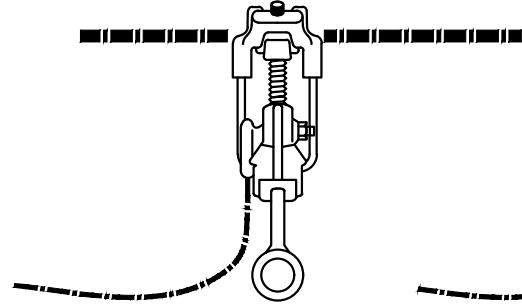


FRONT VIEW

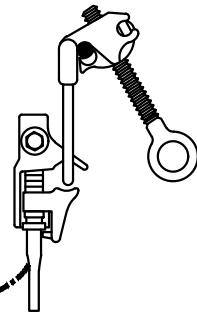


SIDE VIEW

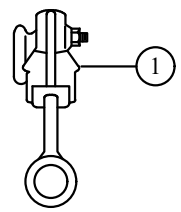
1368-04-20
 1368-04-21



FRONT VIEW



SIDE VIEW

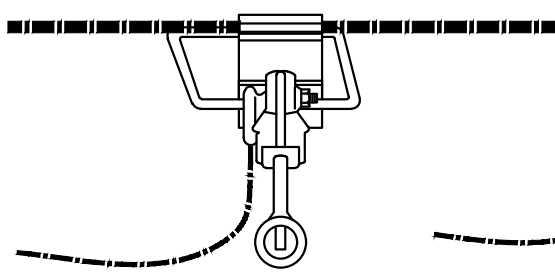


FRONT VIEW

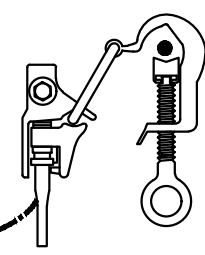


SIDE VIEW

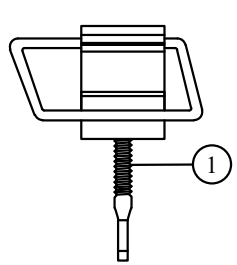
1368-04-50



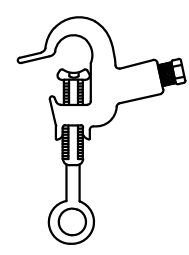
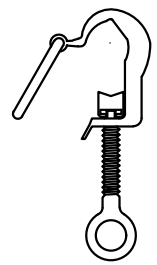
FRONT VIEW



SIDE VIEW

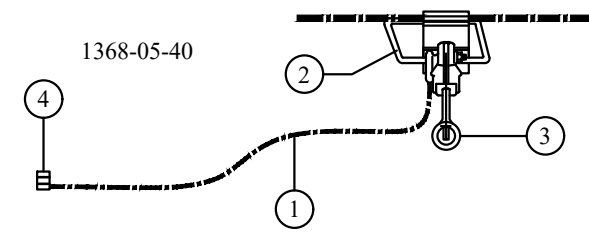
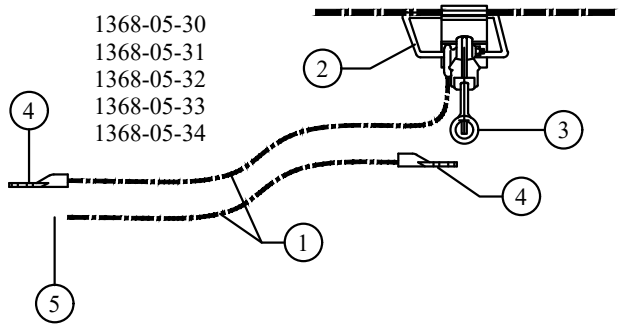
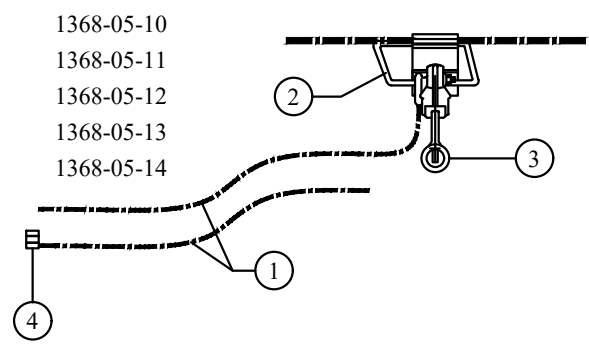
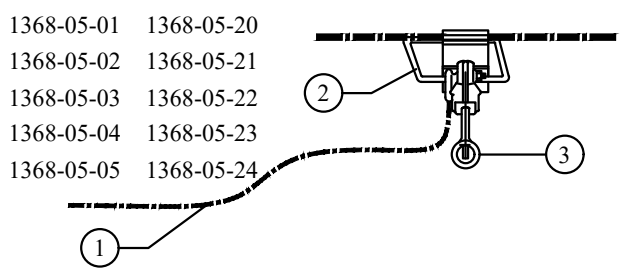


1368-04-22
 1368-04-23
 1368-04-24



1368-04-60

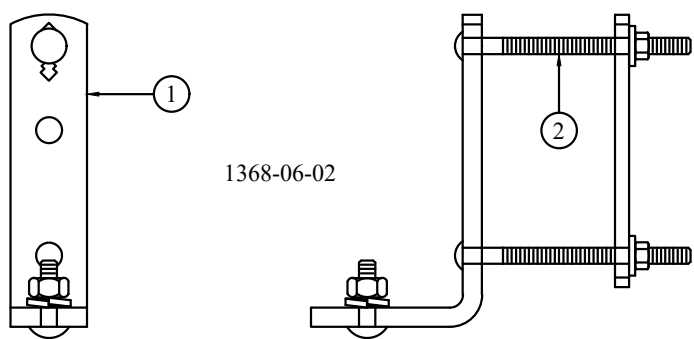
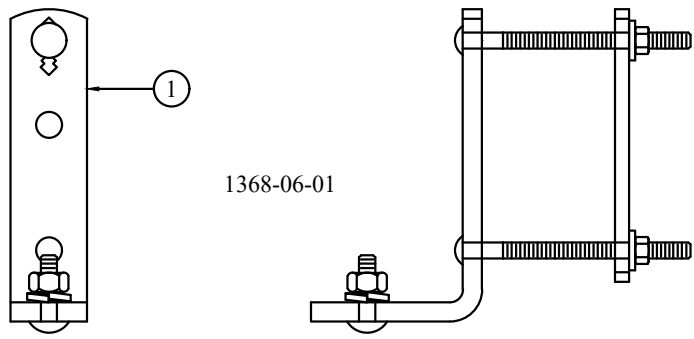
MU-REF	MU-ID	MU-DESCRIPTION
13680420	STIRRUP1/0AL	STIRRUP 1/0 AL
13680421	STIRRUP4/0AL	STIRRUP 4/0 AL
13680422	STIRRUP336AL	STIRRUP 336 AL
13680423	STIRRUP795AL	STIRRUP 795 AL
13680424	STIRRUP6-4/0CU	STIRRUP #6-4/0 CU
13680450	CLPHOTTAP	CLAMP HOT TAP
13680460	CLMPHT795TO4/0-6CU/AL	CLAMP HOT TAP 795 TO 4/0-#6 CU/AL



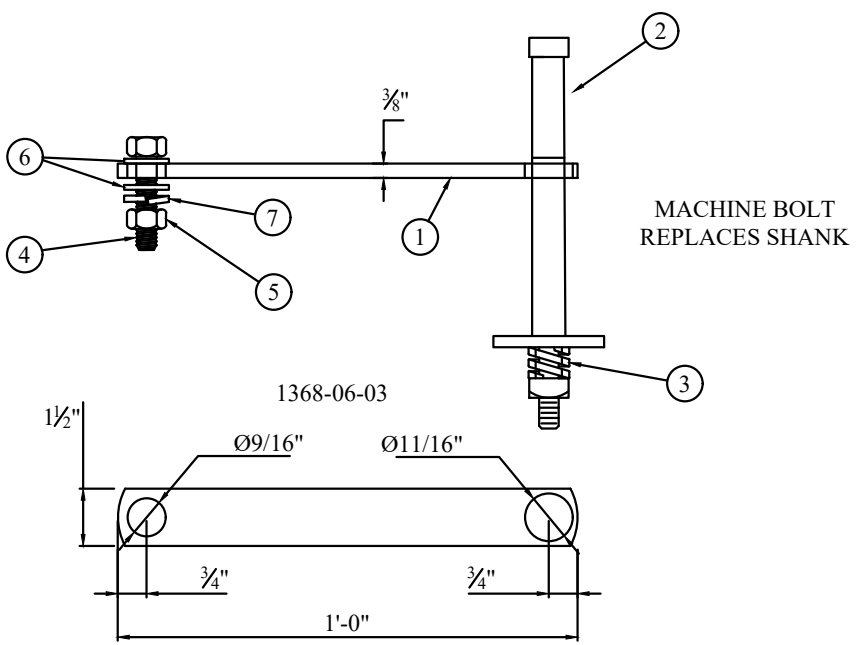
1368-05-50
1368-05-55
INSULATING TUBING FOR
JUMPERS CUT TO LENGTH

CU-REF	CU-ID	CU-DESCRIPTION
13680501	JUASSYXFMR/CAP1/0ALPRI	JUMPER ASSY-XFMR/CAP 1/0 AL PRI
13680502	JUASSYXFMR/CAP4/0ALPRI	JUMPER ASSY-XFMR/CAP 4/0 AL PRI
13680503	JUASSYXFMR/CAP336ALPRI	JUMPER ASSY-XFMR/CAP 336 AL PRI
13680504	JUASSYXFMR/CAP795ALPRI	JUMPER ASSY-XFMR/CAP 795 AL PRI
13680505	JUASSYXFMR/CAP6-4/0CUPRI	JUMPER ASSY-XFMR/CAP #6-4/0 CU PRI
13680510	JUASSYLINEFUSE1/0ALPRI	JUMPER ASSY- LINE FUSE 1/0 AL PRI
13680511	JUASSYLINEFUSE4/0ALPRI	JUMPER ASSY- LINE FUSE 4/0 AL PRI
13680512	JUASSYLINEFUSE336ALPRI	JUMPER ASSY- LINE FUSE 336 AL PRI
13680513	JUASSYLINEFUSE795ALPRI	JUMPER ASSY- LINE FUSE 795 AL PRI
13680514	JUASSYLINEFUSE6-4/0CUPRI	JUMPER ASSY- LINE FUSE #6-4/0 CU PRI
13680520	JUASSYURDRISER1/0ALPRI	JUMPER ASSY-URD RISER 1/0 AL URD PRI
13680521	JUASSYURDRISER4/0ALPRI	JUMPER ASSY-URD RISER 4/0 AL URD PRI
13680522	JUASSYURDRISER336ALPRI	JUMPER ASSY-URD RISER 336 AL PRI
13680523	JUASSYURDRISER795ALPRI	JUMPER ASSY-URD RISER 795 AL PRI
13680524	JUASSYURDRISER6-4/0CUPRI	JUMPER ASSY-URD RISER #6-4/0 CU PRI
13680530	JUASSYAR1/0ALPRI	JUMPER ASSY-ARRESTOR 1/0 AL PRI
13680531	JUASSYAR4/0ALPRI	JUMPER ASSY-ARRESTOR 4/0 AL PRI
13680532	JUASSYAR336ALPRI	JUMPER ASSY-ARRESTOR 336 AL PRI
13680533	JUASSYAR795ALPRI	JUMPER ASSY-ARRESTOR 795 AL PRI
13680534	JUASSYAR6-4/0CUPRI	JUMPER ASSY-ARRESTOR #6-4/0 CU PRI
13680535	JUASSYAR-COJU	JUMPER ASSY-ARRESTOR - CUTOUT JUMPER 795
13680536	JUASSYAR-COJU4/0	JUMPER ASSY-ARRESTOR - CUTOUT JUMPER 4/0
13680540	JUASSYHT1/0ALPRI	JUMPER ASSY-HOT TAP 1/0 AL PRI
13680542	JUASSYAR1/0-795MAIN#6TAP	JUMPER ASSY AR 1/0-795 MAIN #6 TAP
13680544	JUASSYURDRISER-ARRESTOR	JUMPER ASSY FOR URD RISER TO ARRESTOR
13680550	INSULHOSE20KV795MCM	INSULATION HOSE SPLIT 1.25IN 795 ARBUTUS
13680555	INSULHOSE20KV#4-2/0	INSULATION HOSE 20KV #4-2/0 AWG CABLE

POLE APPARATUS
 CUTOUTS, ARRESTERS, AND ASSEMBLIES
BRACKET L FOR CUTOUTS/ARRESTERS



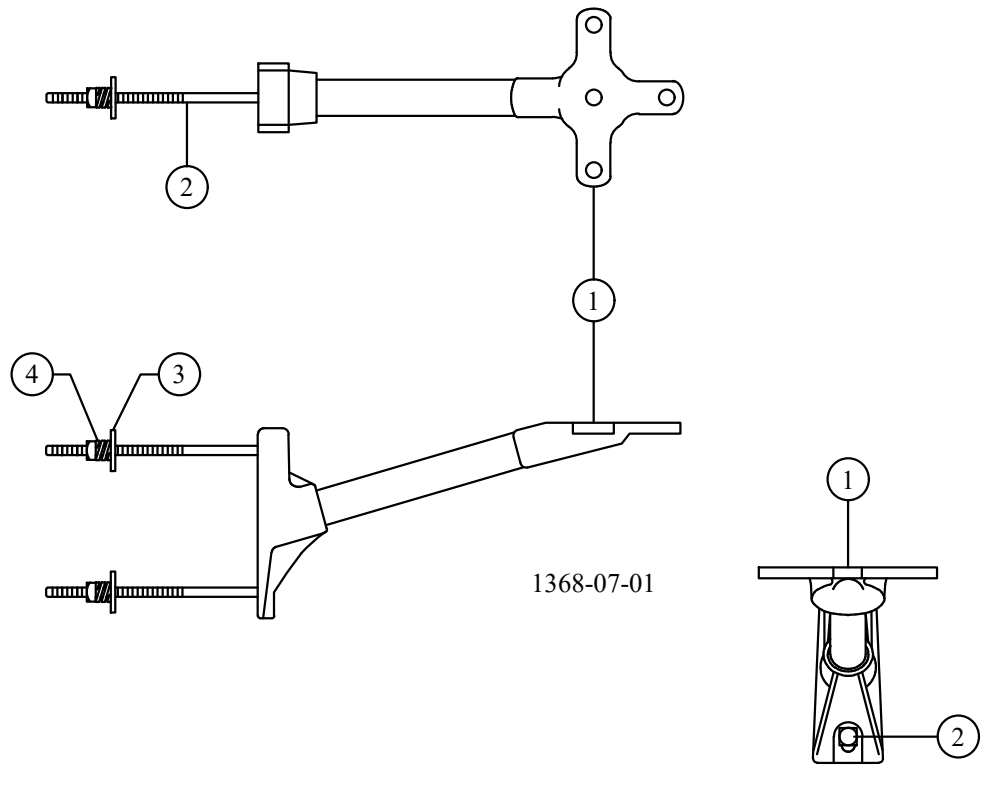
(FOR ATTACHMENT OF
 CUTOUTS & ARRESTERS TO
 BRACKET MOUNT)



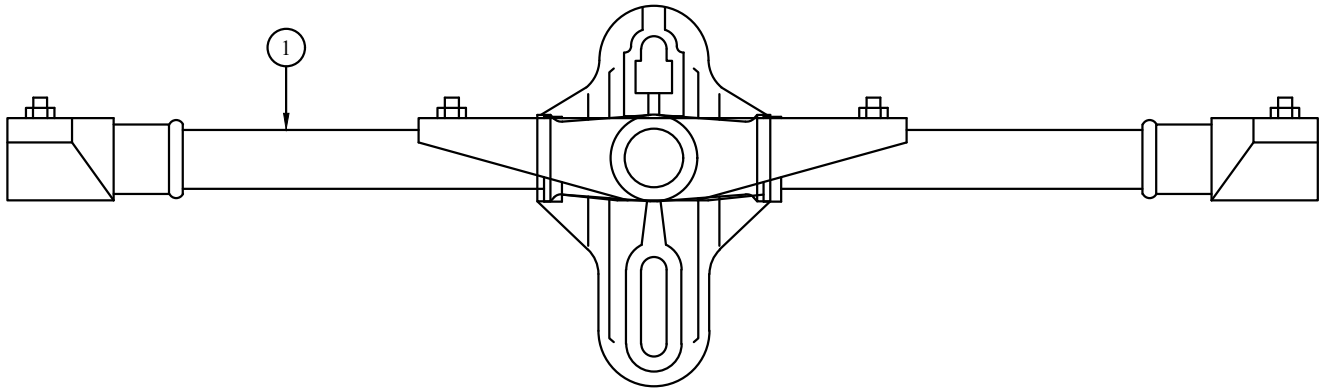
CU-REF	CU-ID	CU-DESCRIPTION
13680601	BRKTLMTW/6INCB	BRACKET-L MOUNT W/6IN CARRIAGE BOLTS
13680602	BRKTLMTW/8INCB	BRACKET-L MOUNT W/8IN CARRIAGE BOLTS
13680603	BRKTSTEELPLATE	BRACKET STEEL PLATE

REV_DATE:

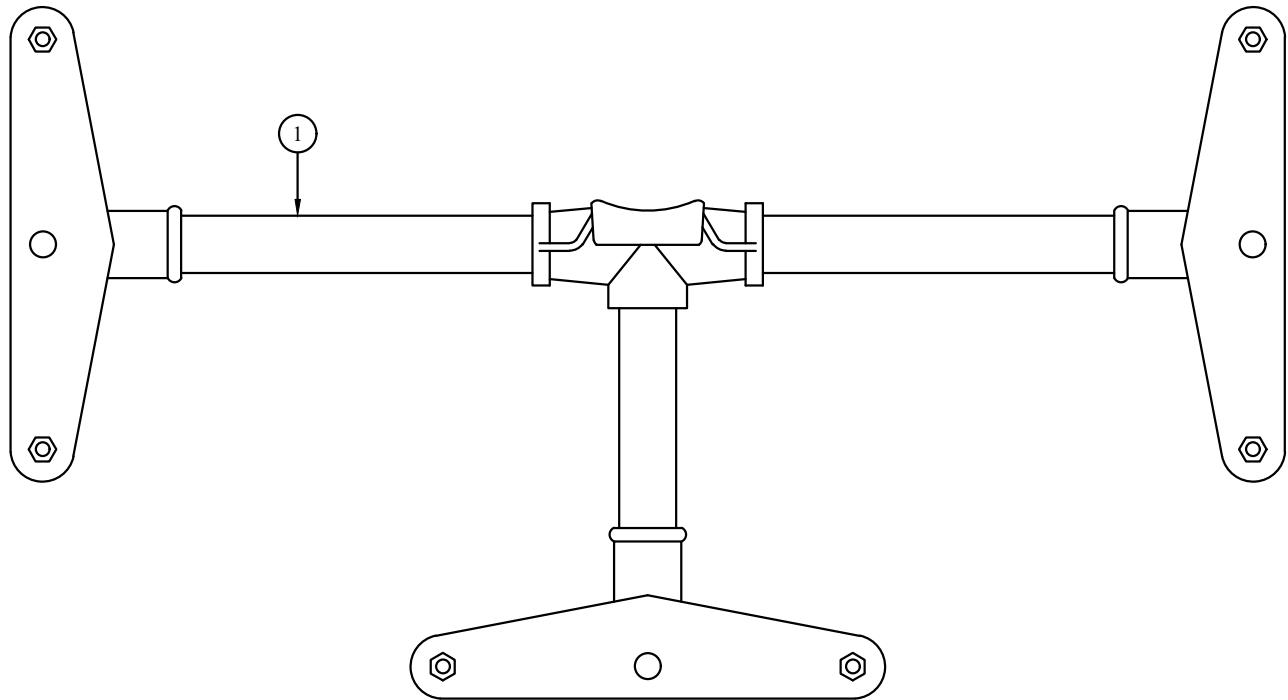
04/01/26



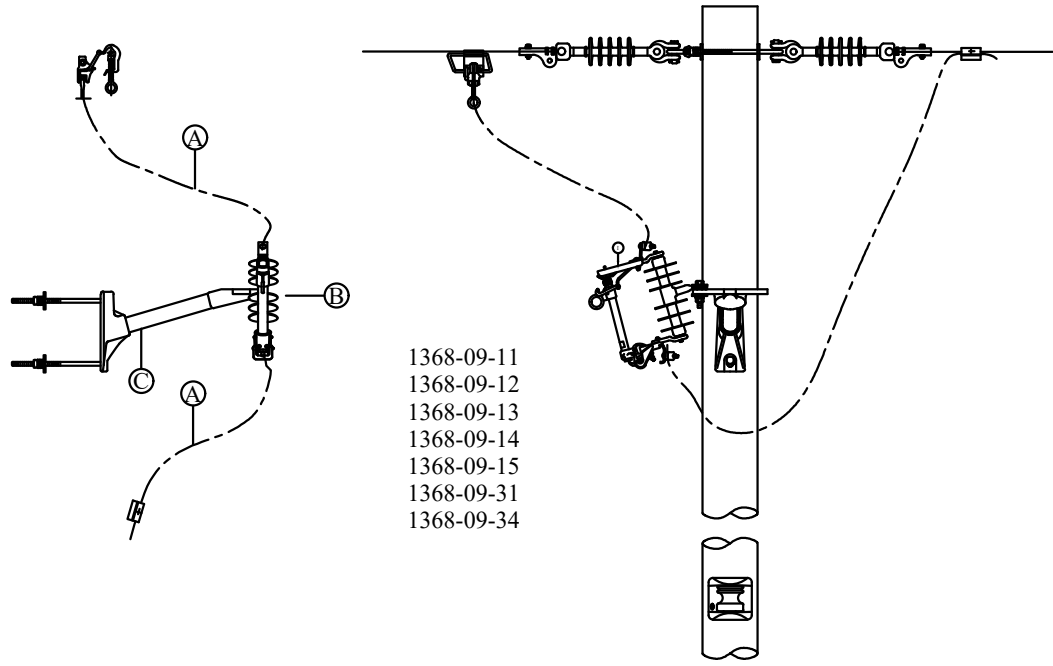
MU-REF	MU-ID	MU-DESCRIPTION
13680701	BRKT3EARFG18INSGLWMTBT	BRACKET 3 EAR FG 18 IN SGL W/MOUNT BOLT
13680702	BRKT3EARFG18INDBLWMTBT	BRACKET 3 EAR FG 18 IN DBL W/MOUNT BOLT



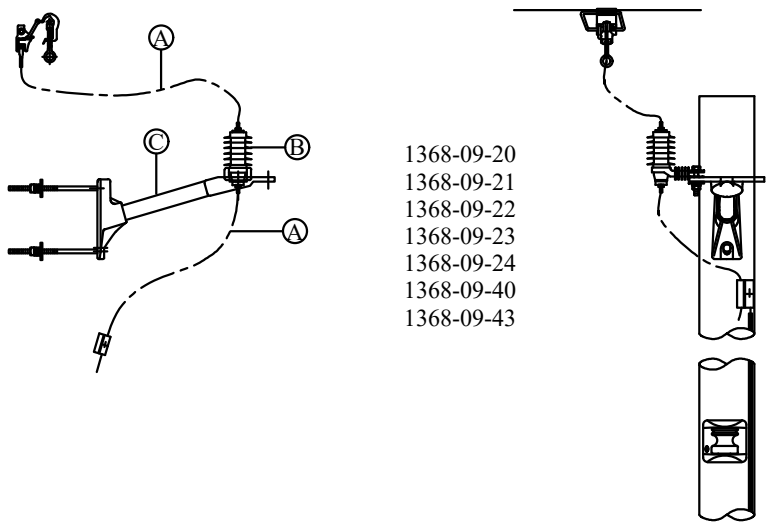
1368-08-01



CU-REF	CU-ID	CU-DESCRIPTION
13680801	BRKTMTCO/AR3PH	BRACKET MOUNT CUTOUT/ARRESTOR 3PH



- 1368-09-11
- 1368-09-12
- 1368-09-13
- 1368-09-14
- 1368-09-15
- 1368-09-31
- 1368-09-34

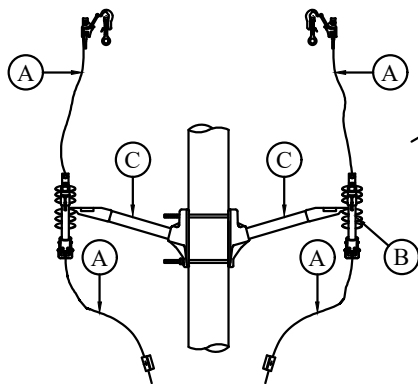


- 1368-09-20
- 1368-09-21
- 1368-09-22
- 1368-09-23
- 1368-09-24
- 1368-09-40
- 1368-09-43

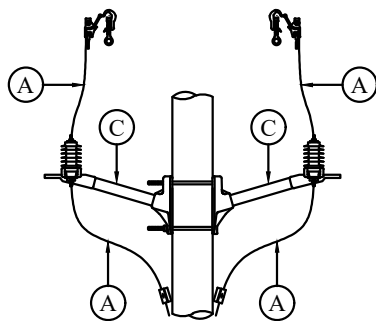
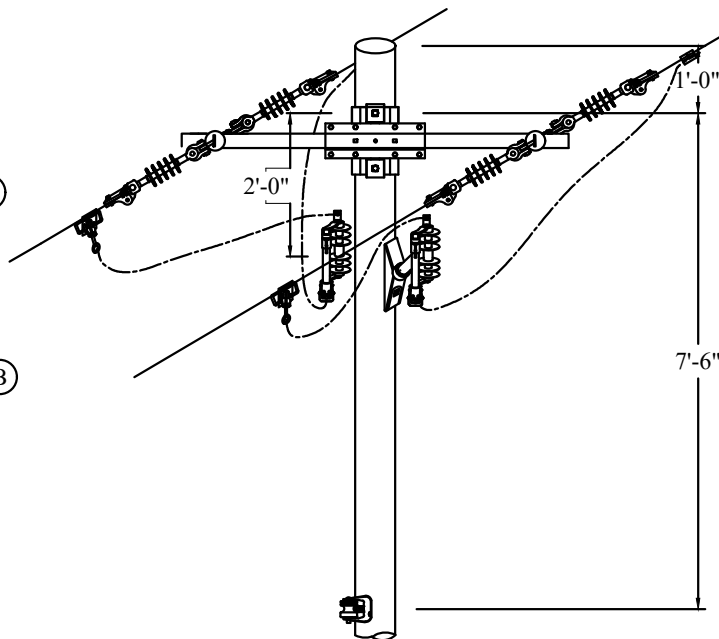
MU-REF	MU-ID	MU-DESCRIPTION
13680911	LFASSY1PH1/0P	LINE FUSE ASSY 1PH 1/0 PRI
13680912	LFASSY1PH4/0P	LINE FUSE ASSY 1PH 4/0 PRI
13680913	LFASSY1PH336P	LINE FUSE ASSY 1PH 336 PRI
13680914	LFASSY1PH795P	LINE FUSE ASSY 1PH 795 PRI
13680915	LFASSY1PH6-4/0CUP	LINE FUSE ASSY 1PH #6- 4/0CU PRI
13680920	ARASSY1PH1/0P	ARRESTOR ASSY 1PH 1/0 PRI
13680921	ARASSY1PH4/0P	ARRESTOR ASSY 1PH 4/0 PRI
13680922	ARASSY1PH336P	ARRESTOR ASSY 1PH 336 PRI
13680923	ARASSY1PH795P	ARRESTOR ASSY 1PH 795 PRI
13680924	ARASSY1PH6-4/0CUP	ARRESTOR ASSY 1PH #6- 4/0CU PRI
13680931	LFASSY1PH1/0P-CC	LINE FUSE ASSY 1PH 1/0 PRI - CC
13680934	LFASSY1PH795P-CC	LINE FUSE ASSY 1PH 795 PRI - CC
13680940	ARASSY1PH1/0P-CC	ARRESTOR ASSY 1PH 1/0 PRI - CC
13680943	ARASSY1PH795P-CC	ARRESTOR ASSY 1PH 795 PRI - CC

REV_DATE:

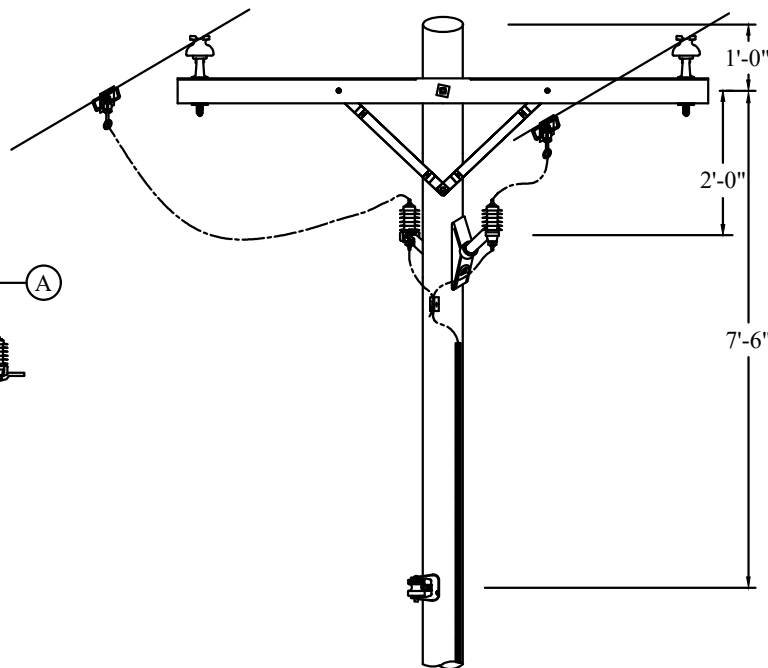
04/01/26



CUTOUT
 1368-10-11
 1368-10-12
 1368-10-13
 1368-10-14
 1368-10-15



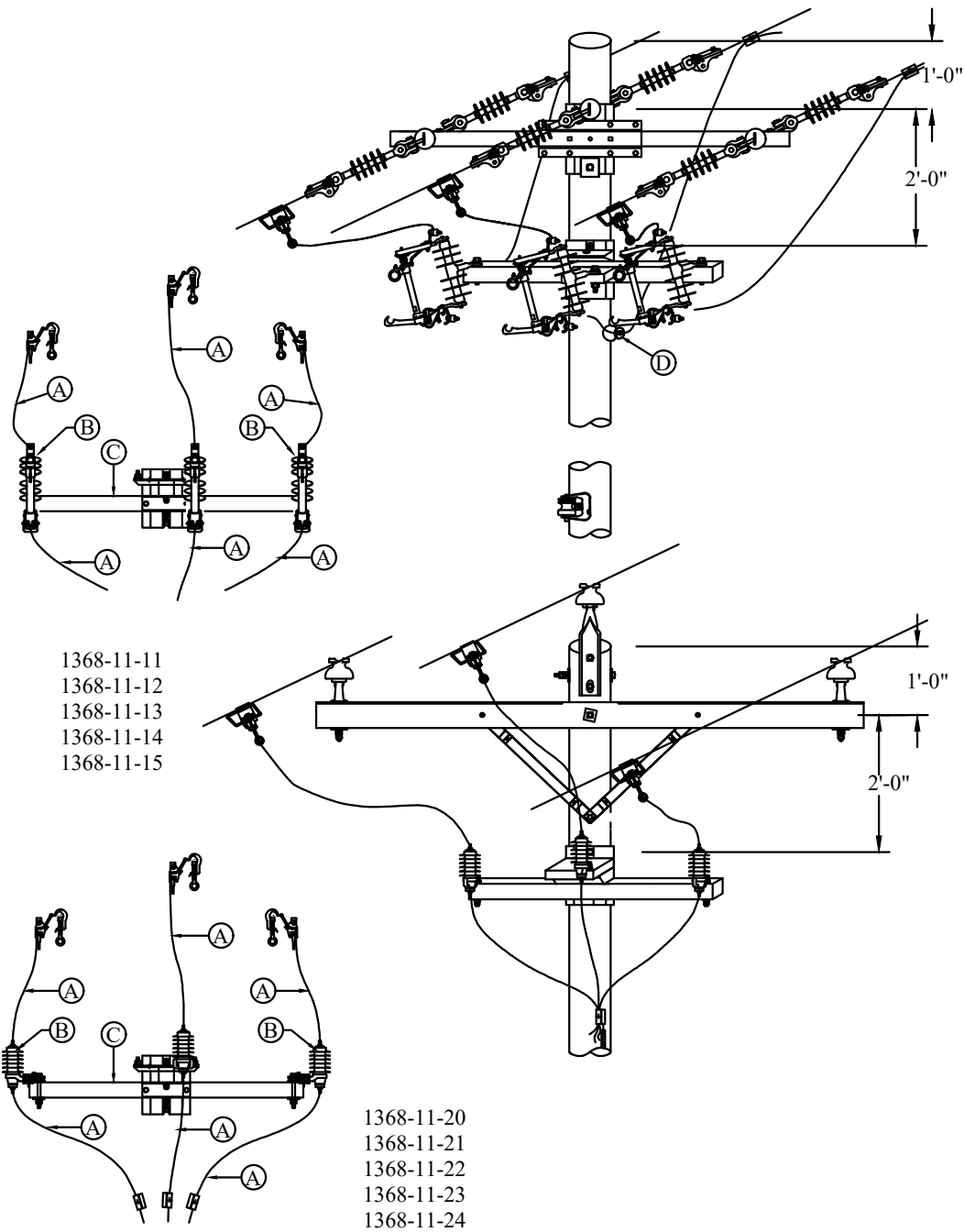
ARRESTER
 1368-10-20
 1368-10-21
 1368-10-22
 1368-10-23
 1368-10-24



MU-REF	MU-ID	MU-DESCRIPTION
13681011	LFASSY2PH1/0P	LINE FUSE ASSY 2PH 1/0 PRI
13681012	LFASSY2PH4/0P	LINE FUSE ASSY 2PH 4/0 PRI
13681013	LFASSY2PH336P	LINE FUSE ASSY 2PH 336 PRI
13681014	LFASSY2PH795P	LINE FUSE ASSY 2PH 795 PRI
13681015	LFASSY2PH6-4/0CUP	LINE FUSE ASSY 2PH #6- 4/0CU PRI
13681020	ARASSY2PH1/0P	ARRESTOR ASSY 2PH 1/0 PRI
13681021	ARASSY2PH4/0P	ARRESTOR ASSY 2PH 4/0 PRI
13681022	ARASSY2PH336P	ARRESTOR ASSY 2PH 336 PRI
13681023	ARASSY2PH795P	ARRESTOR ASSY 2PH 795 PRI
13681024	ARASSY2PH6-4/0CUP	ARRESTOR ASSY 2PH #6- 4/0CU PRI

REV_DATE:

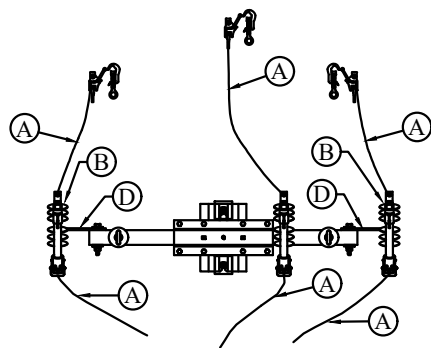
04/01/26



MU-REF	MU-ID	MU-DESCRIPTION
13681111	LFASSY3PH1/0P	LINE FUSE ASSY 3PH 1/0 PRI
13681112	LFASSY3PH4/0P	LINE FUSE ASSY 3PH 4/0 PRI
13681113	LFASSY3PH336P	LINE FUSE ASSY 3PH 336 PRI
13681114	LFASSY3PH795P	LINE FUSE ASSY 3PH 795 PRI
13681115	LFASSY3PH6-4/0CUP	LINE FUSE ASSY 3PH #6- 4/0CU PRI
13681120	ARASSY3PH1/0P	ARRESTOR ASSY 3PH 1/0 PRI
13681121	ARASSY3PH4/0P	ARRESTOR ASSY 3PH 4/0 PRI
13681122	ARASSY3PH336P	ARRESTOR ASSY 3PH 336 PRI
13681123	ARASSY3PH795P	ARRESTOR ASSY 3PH 795 PRI
13681124	ARASSY3PH6-4/0CUP	ARRESTOR ASSY 3PH #6- 4/0CU PRI

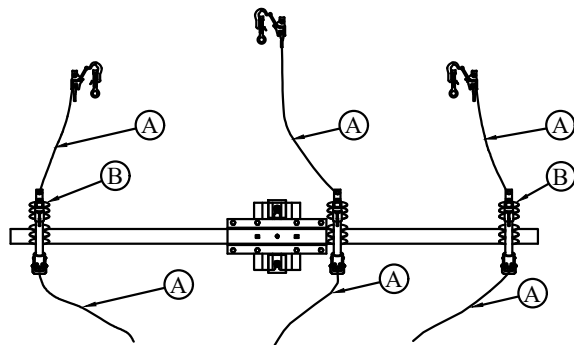
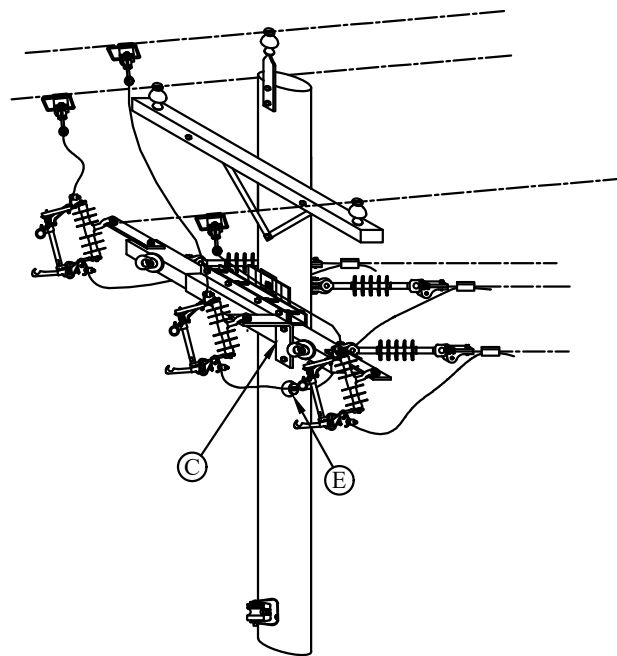
REV_DATE:

04/01/26



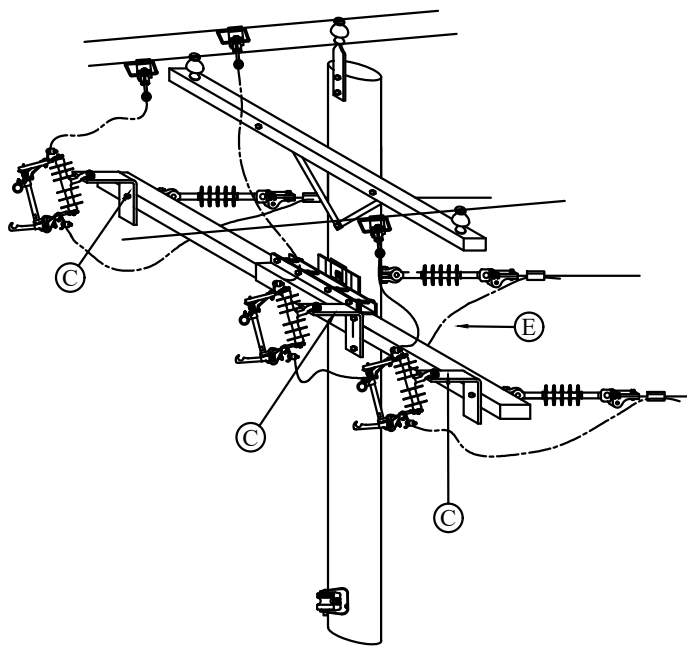
5-FOOT DEAD-END ARM

- 1368-12-10
- 1368-12-11
- 1368-12-12
- 1368-12-14
- 1368-12-15

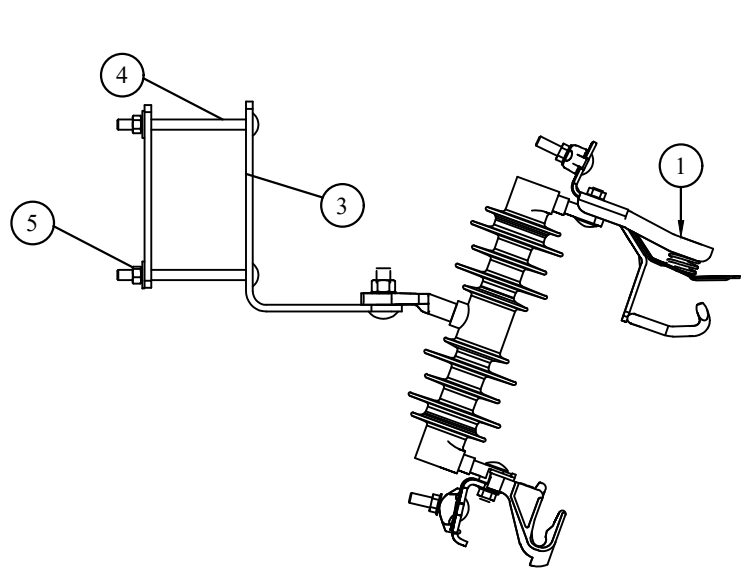


8-FOOT/10-FOOT DEAD-END ARM

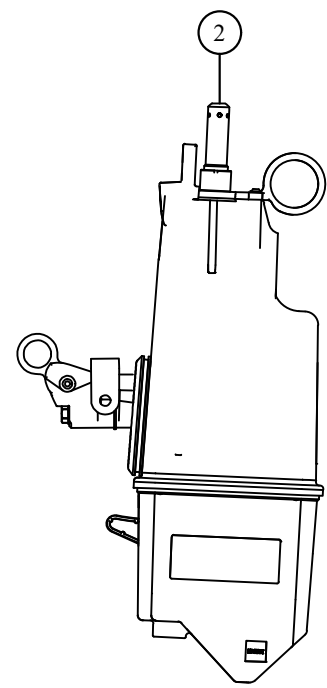
- 1368-12-20
- 1368-12-21
- 1368-12-22
- 1368-12-24
- 1368-12-25



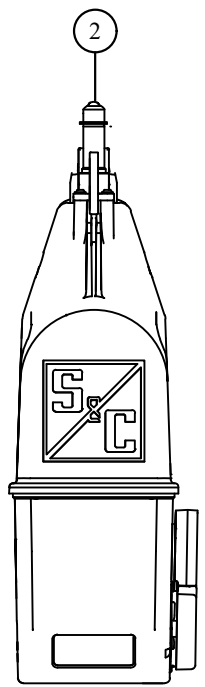
MU-REF	MU-ID	MU-DESCRIPTION
13681210	LFASSY5FTDEARM1/0P	LINE FUSE ASSY 5' DE ARM 1/0 PRI
13681211	LFASSY5FTDEARM4/0P	LINE FUSE ASSY 5' DE ARM 4/0 PRI
13681212	LFASSY5FTDEARM336P	LINE FUSE ASSY 5' DE ARM 336 PRI
13681214	LFASSY5FTDEARM795P	LINE FUSE ASSY 5' DE ARM 795 PRI
13681215	LFASSY5FTDEARM6-4/0CUP	LINE FUSE ASSY 5' DE ARM #6- 4/0CU PRI
13681220	LFASSY8-10FTDEARM1/0P	LINE FUSE ASSY 8/10' DE ARM 1/0 PRI
13681221	LFASSY8-10FTDEARM4/0P	LINE FUSE ASSY 8/10' DE ARM 4/0 PRI
13681222	LFASSY8-10FTDEARM336P	LINE FUSE ASSY 8/10' DE ARM 336 PRI
13681224	LFASSY8-10FTDEARM795P	LINE FUSE ASSY 8/10' DE ARM 795 PRI
13681225	LFASSY8-10FTDEARM6-4/0CUP	LINE FUSE ASSY 8/10' DE ARM #6- 4/0CU PRI



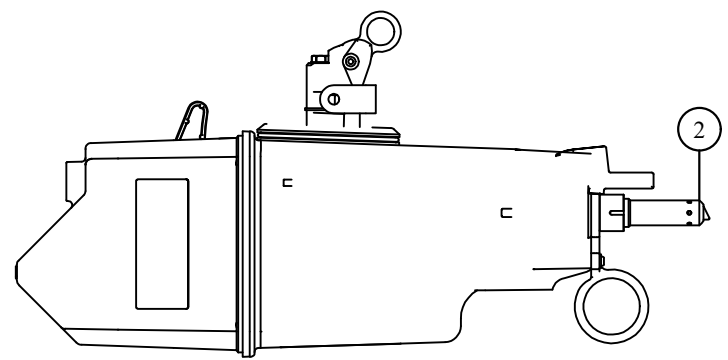
SIDE VIEW
 1368-13-01



SIDE VIEW



FRONT VIEW



INVERTED SIDE VIEW

CU-REF	CU-ID	CU-DESCRIPTION
13681301	TRIPCUTOUT	TRIPSAVER II CUTOUT