

1353

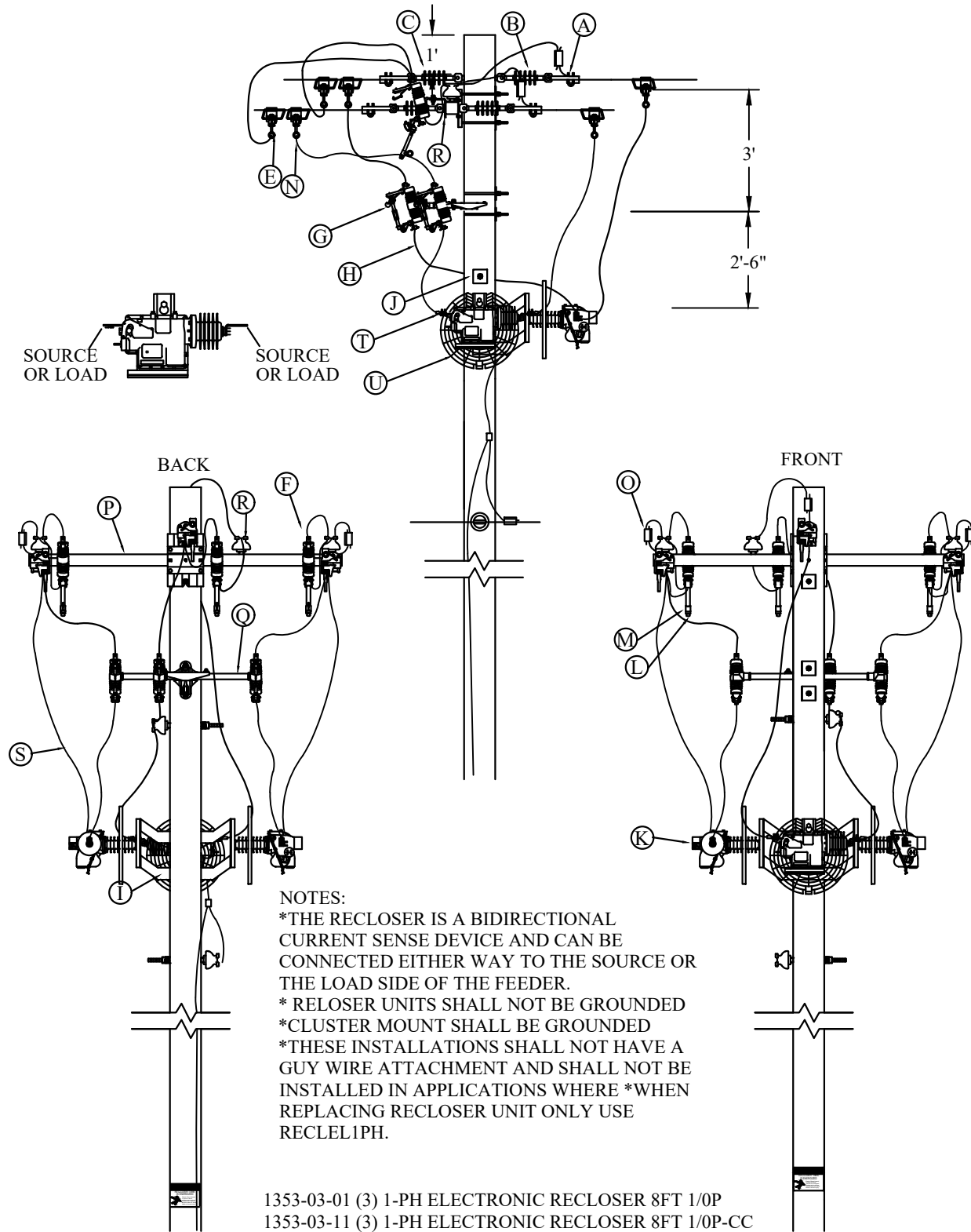
RECLOSERS

CONTAINS

- 1353-03 RECLOSER 3 - 1PH ELECTRONIC ASSEMBLY 8FT ARM**
- 1353-06 RECLOSER 3 - 1PH ELECTRONIC ASSEMBLY 5FT ARM**
- 1353-20 RECLOSER 3PH ELECTRONIC 795 ASSEMBLY**
- 1353-21 RECLOSER 3PH ELECTRONIC 1/0 ASSEMBLY 8FT ARM**
- 1353-26 RECLOSER 3PH ELECTRONIC 1/0 ASSEMBLY 5FT ARM**
- 1353-30 RECLOSER 3PH ELECTRONIC W/RISER ASSEMBLY**
- 1353-32 RECLOSER 1PH HYDRAULIC ASSEMBLY**
- 1353-38 RECLOSER 3-1PH HYDRAULIC 1/0 ASSEMBLY 8FT ARM**
- 1353-40 RECLOSER 3-1PH HYDRAULIC 1/0 ASSEMBLY 5FT ARM**

REV_DATE:
04/01/26

RECLOSER 3 - 1PH ELECTRONIC ASSEMBLY 8FT ARM



NOTES:
 *THE RECLOSER IS A BIDIRECTIONAL CURRENT SENSE DEVICE AND CAN BE CONNECTED EITHER WAY TO THE SOURCE OR THE LOAD SIDE OF THE FEEDER.
 *RELOSER UNITS SHALL NOT BE GROUNDED
 *CLUSTER MOUNT SHALL BE GROUNDED
 *THESE INSTALLATIONS SHALL NOT HAVE A GUY WIRE ATTACHMENT AND SHALL NOT BE INSTALLED IN APPLICATIONS WHERE *WHEN REPLACING RECLOSER UNIT ONLY USE RECLEL1PH.

1353-03-01 (3) 1-PH ELECTRONIC RECLOSER 8FT 1/0P
 1353-03-11 (3) 1-PH ELECTRONIC RECLOSER 8FT 1/0P-CC

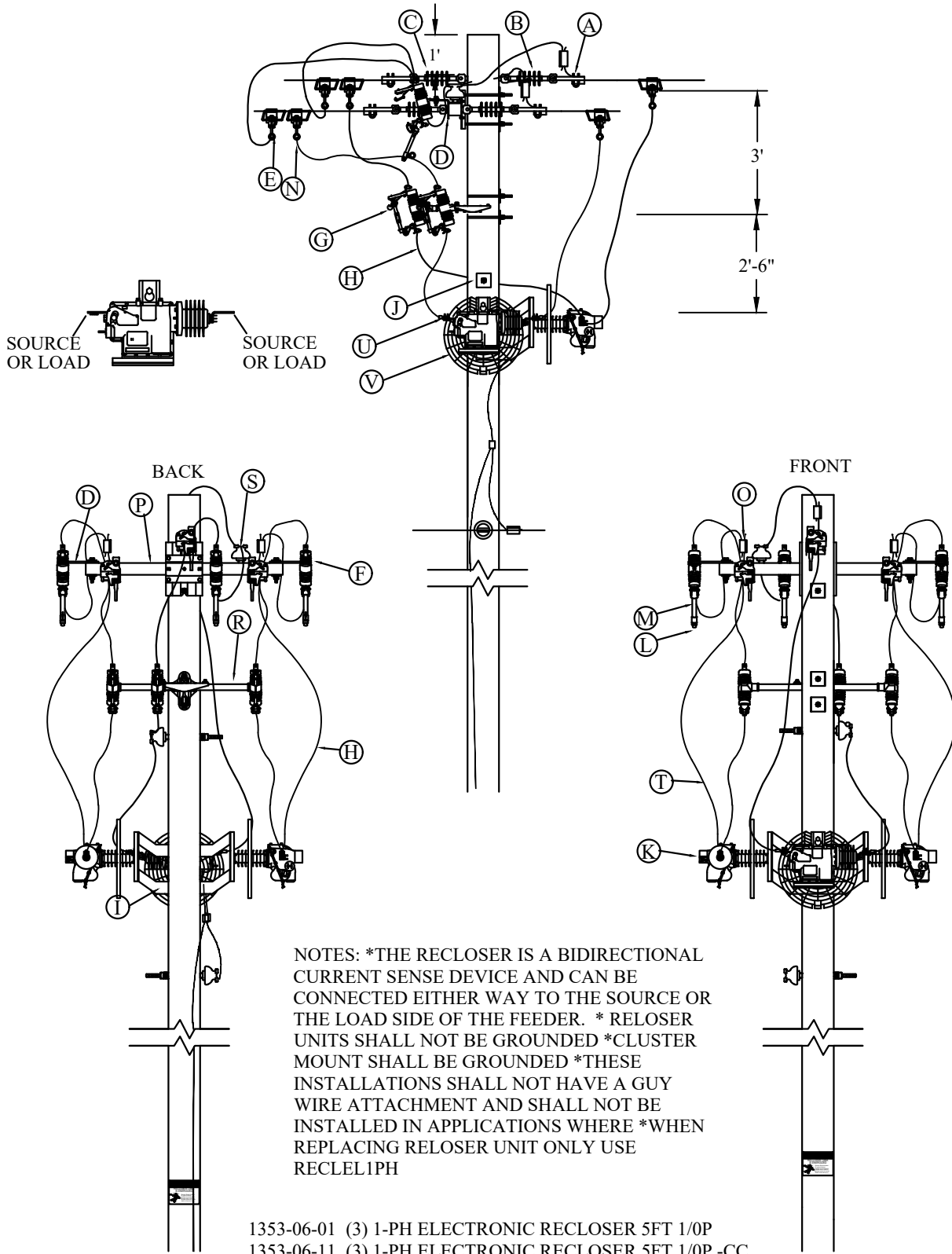
NOTE: REPLACE EXISTING POLE GROUNDS W. #2 TINNED CU

SEE 1353 ASSOCIATED MODULES

MU-REF	MU-ID	MU-DESCRIPTION
13530301	RECLEL3-1PH1/0P8FT	RECLOSER ELECTRONIC 3- 1PH 1/0P 8FT ARM
13530311	RECLEL3-1PH1/0P8FT-CC	RECLOSER ELECTRONIC 3-1PH 1/0P 8FT ARM - CC

REV_DATE:
04/01/26

RECLOSER 3 - 1PH ELECTRONIC ASSEMBLY 5FT ARM



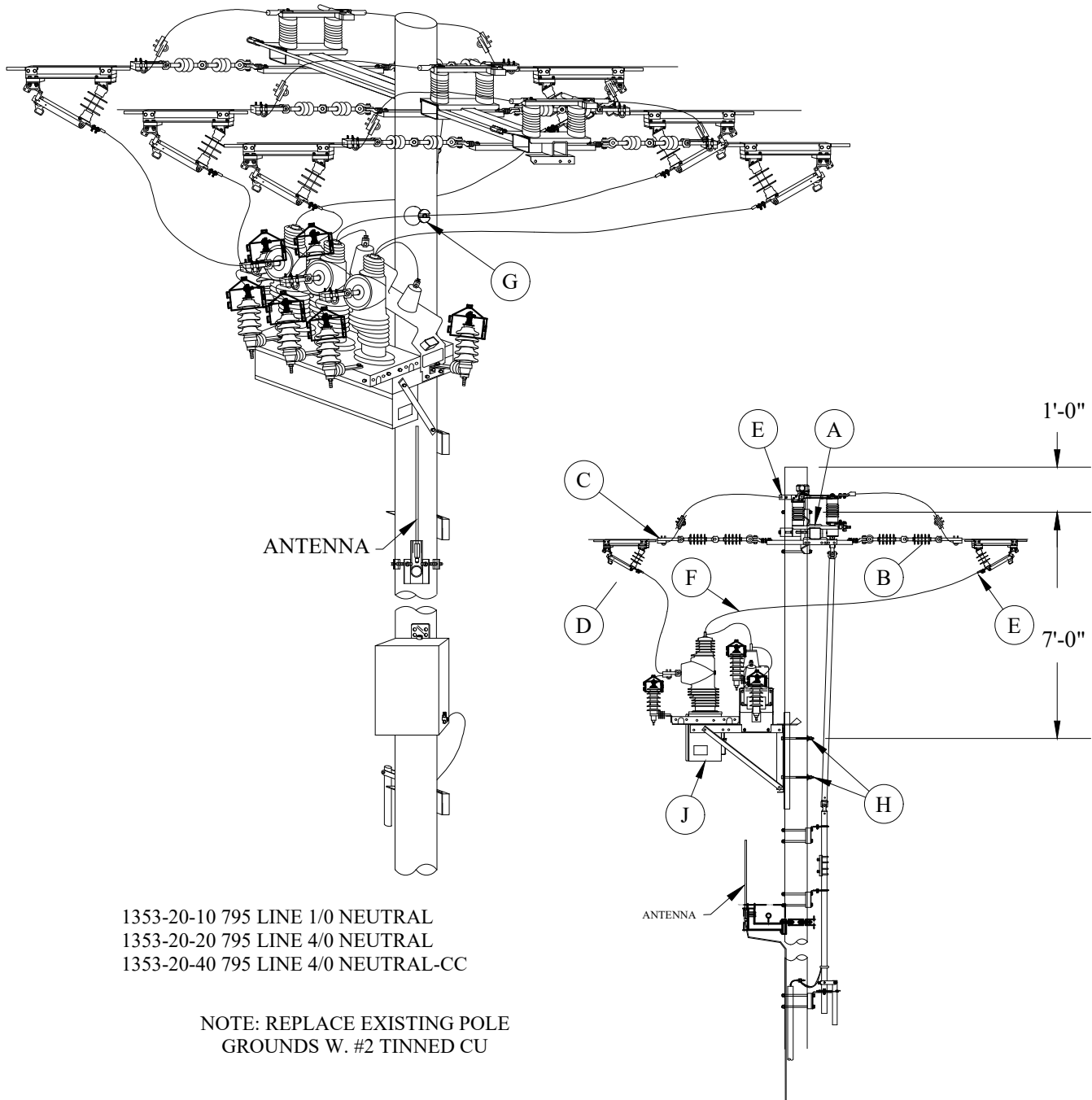
NOTES: *THE RECLOSER IS A BIDIRECTIONAL CURRENT SENSE DEVICE AND CAN BE CONNECTED EITHER WAY TO THE SOURCE OR THE LOAD SIDE OF THE FEEDER. * RELOSER UNITS SHALL NOT BE GROUNDED *CLUSTER MOUNT SHALL BE GROUNDED *THESE INSTALLATIONS SHALL NOT HAVE A GUY WIRE ATTACHMENT AND SHALL NOT BE INSTALLED IN APPLICATIONS WHERE *WHEN REPLACING RELOSER UNIT ONLY USE RECLEL1PH

1353-06-01 (3) 1-PH ELECTRONIC RECLOSER 5FT 1/0P
1353-06-11 (3) 1-PH ELECTRONIC RECLOSER 5FT 1/0P -CC
NOTE: REPLACE EXISTING POLE GROUNDS W. #2 TINNED CU

SEE 1353 ASSOCIATED MODULES

MU-REF	MU-ID	MU-DESCRIPTION
13530601	RECLEL3-1PH1/0P5FT	RECLOSER ELECTRONIC 3- 1PH 1/0P 5FT ARM
13530611	RECLEL3-1PH1/0P5FT-CC	RECLOSER ELECTRONIC 3-1PH 1/0P 5FT ARM - CC

REV_DATE:
04/01/26



- 1353-20-10 795 LINE 1/0 NEUTRAL
- 1353-20-20 795 LINE 4/0 NEUTRAL
- 1353-20-40 795 LINE 4/0 NEUTRAL-CC

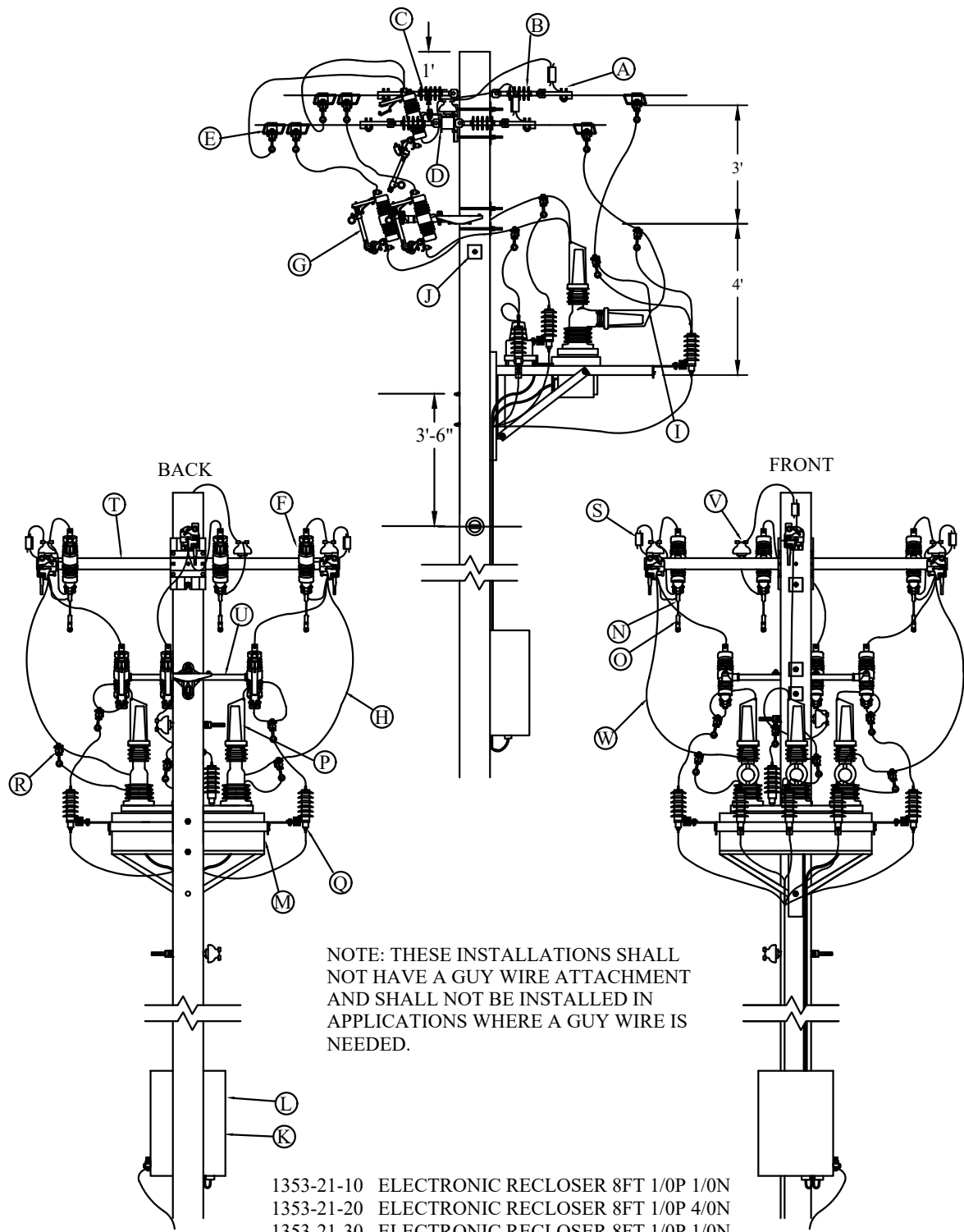
NOTE: REPLACE EXISTING POLE
GROUNDS W. #2 TINNED CU

- *WHEN REPLACING RECLOSER UNIT ONLY ON 1/0 NEUTRAL USE
RECL3PH1/0N
- *WHEN REPLACING RECLOSER UNIT ONLY ON 4/0 NEUTRAL USE
RECL3PH4/0N

SEE 1353 ASSOCIATED MODULES

MU-REF	MU-ID	MU-DESCRIPTION
13532010	RECL3PHELASSY1/0N	RECLOSURE 3PH ELECTRONIC ASSY 1/0 N
13532020	RECL3PHELASSY4/0N	RECLOSURE 3PH ELECTRONIC ASSY 4/0 N
13532040	RECL3PHELASSY4/0N-CC	RECLOSURE 3PH ELECTRONIC ASSY 4/0 N - CC

RECLOSER 3PH ELECTRONIC 1/0 ASSEMBLY 8FT ARM



NOTE: THESE INSTALLATIONS SHALL NOT HAVE A GUY WIRE ATTACHMENT AND SHALL NOT BE INSTALLED IN APPLICATIONS WHERE A GUY WIRE IS NEEDED.

- 1353-21-10 ELECTRONIC RECLOSER 8FT 1/0P 1/0N
- 1353-21-20 ELECTRONIC RECLOSER 8FT 1/0P 4/0N
- 1353-21-30 ELECTRONIC RECLOSER 8FT 1/0P 1/0N

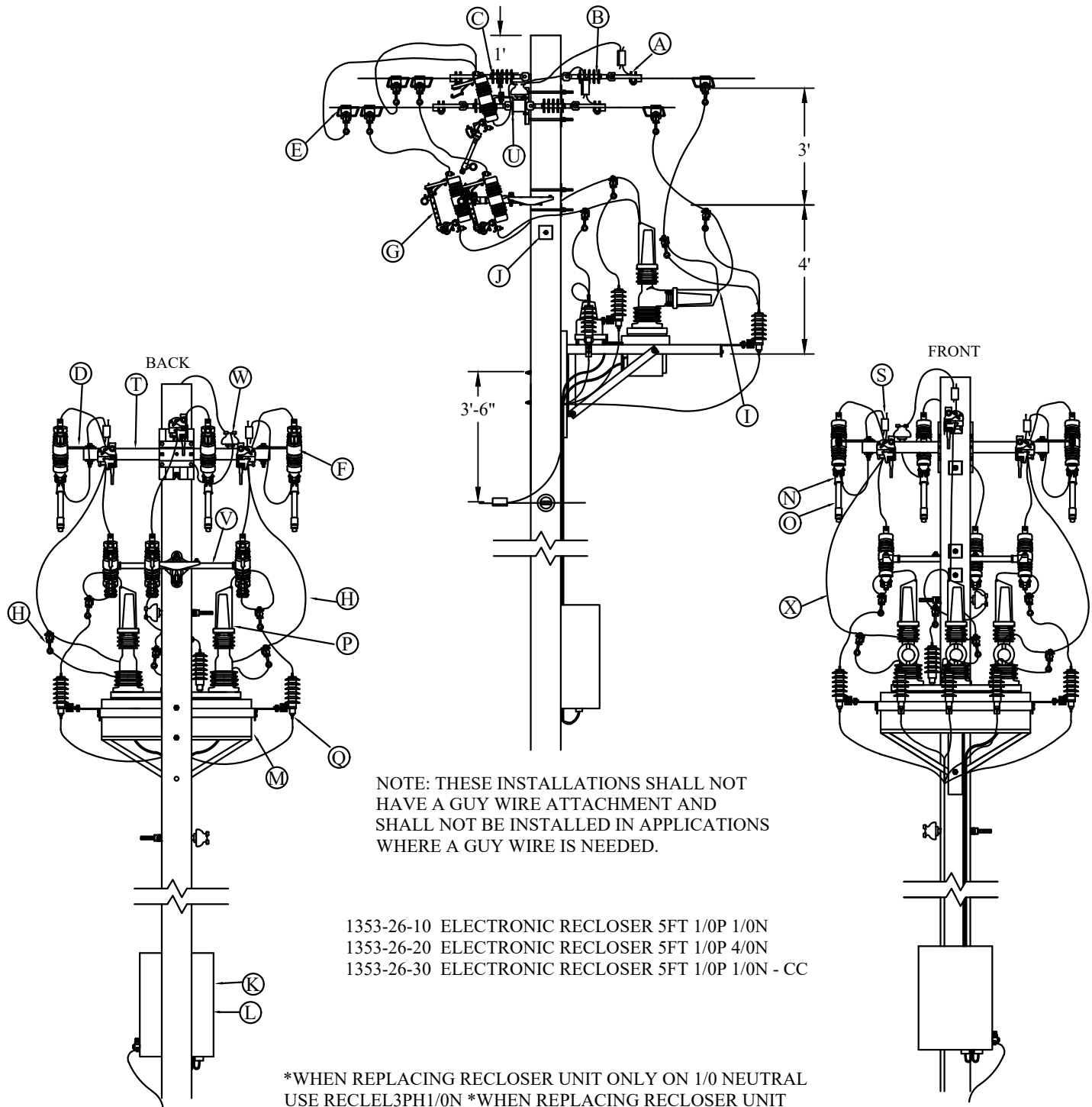
NOTE: REPLACE EXISTING POLE GROUNDS W. #2 TINNED CU

- *WHEN REPLACING RECLOSER UNIT ONLY ON 1/0 NEUTRAL USE RECLEL3PH1/0N
- *WHEN REPLACING RECLOSER UNIT ONLY ON 4/0 NEUTRAL USE RECLEL3PH4/0N

SEE 1353 ASSOCIATED MODULES

MU-REF	MU-ID	MU-DESCRIPTION
13532110	RECL3PH1/0P-1/0N	RECLOSER 3PH ELECT 1/0 PRI- 1/0 NEU 8FT
13532120	RECL3PHEL1/0P-4/0N	RECLOSER 3PH ELECT 1/0PRI- 4/0NEUT 8FT
13532130	RECL3PH1/0P-1/0N-CC	RECLOSER 3PH ELECT 1/0 PRI- 1/0 NEU 8FT - CC

RECLOSER 3PH ELECTRONIC 1/0 ASSEMBLY 5FT ARM



NOTE: THESE INSTALLATIONS SHALL NOT HAVE A GUY WIRE ATTACHMENT AND SHALL NOT BE INSTALLED IN APPLICATIONS WHERE A GUY WIRE IS NEEDED.

- 1353-26-10 ELECTRONIC RECLOSER 5FT 1/0P 1/0N
- 1353-26-20 ELECTRONIC RECLOSER 5FT 1/0P 4/0N
- 1353-26-30 ELECTRONIC RECLOSER 5FT 1/0P 1/0N - CC

*WHEN REPLACING RECLOSER UNIT ONLY ON 1/0 NEUTRAL USE RECLEL3PH1/0N *WHEN REPLACING RECLOSER UNIT ONLY ON 4/0 NEUTRAL USE RECLEL3PH4/0N

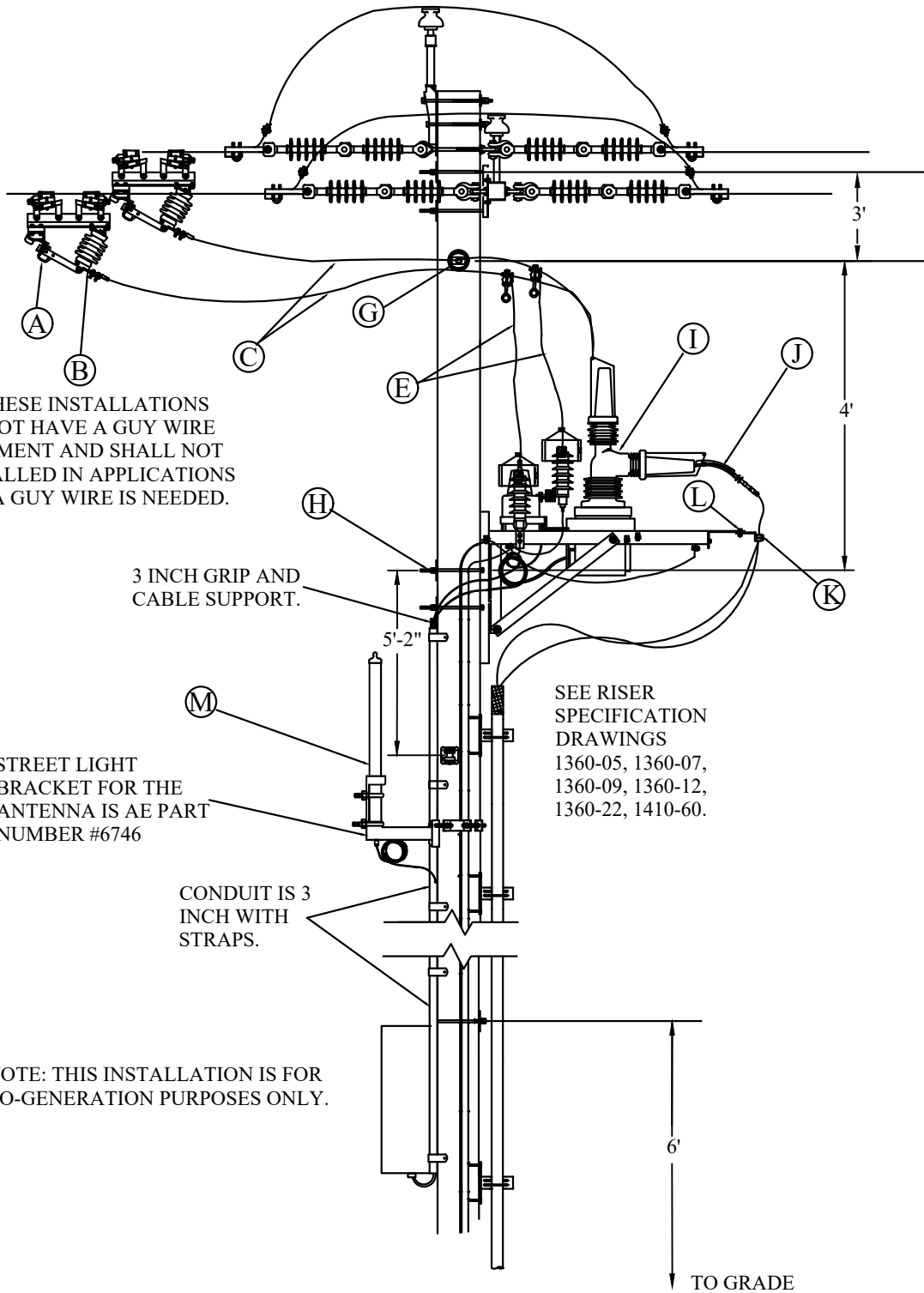
NOTE: REPLACE EXISTING POLE GROUNDS W. #2 TINNED CU

SEE 1353 ASSOCIATED MODULES

MU-REF	MU-ID	MU-DESCRIPTION
13532610	RECL3PHEL1/0P-1/0N5FT	RECLOSER 3PH ELECTR 1/0P- 1/0N 5 FT
13532620	RECL3PHEL1/0P-4/0N5FT	RECLOSER 3PH ELECT 1/0P- 4/0N 5 FT
13532630	RECL3PHEL1/0P-1/0N5FT-CC	RECLOSER 3PH ELECTR 1/0P-1/0N 5 FT - CC

REV_DATE:

04/01/26



NOTE: THESE INSTALLATIONS SHALL NOT HAVE A GUY WIRE ATTACHMENT AND SHALL NOT BE INSTALLED IN APPLICATIONS WHERE A GUY WIRE IS NEEDED.

3 INCH GRIP AND CABLE SUPPORT.

STREET LIGHT BRACKET FOR THE ANTENNA IS AE PART NUMBER #6746

CONDUIT IS 3 INCH WITH STRAPS.

SEE RISER SPECIFICATION DRAWINGS
1360-05, 1360-07,
1360-09, 1360-12,
1360-22, 1410-60.

NOTE: THIS INSTALLATION IS FOR CO-GENERATION PURPOSES ONLY.

TO GRADE

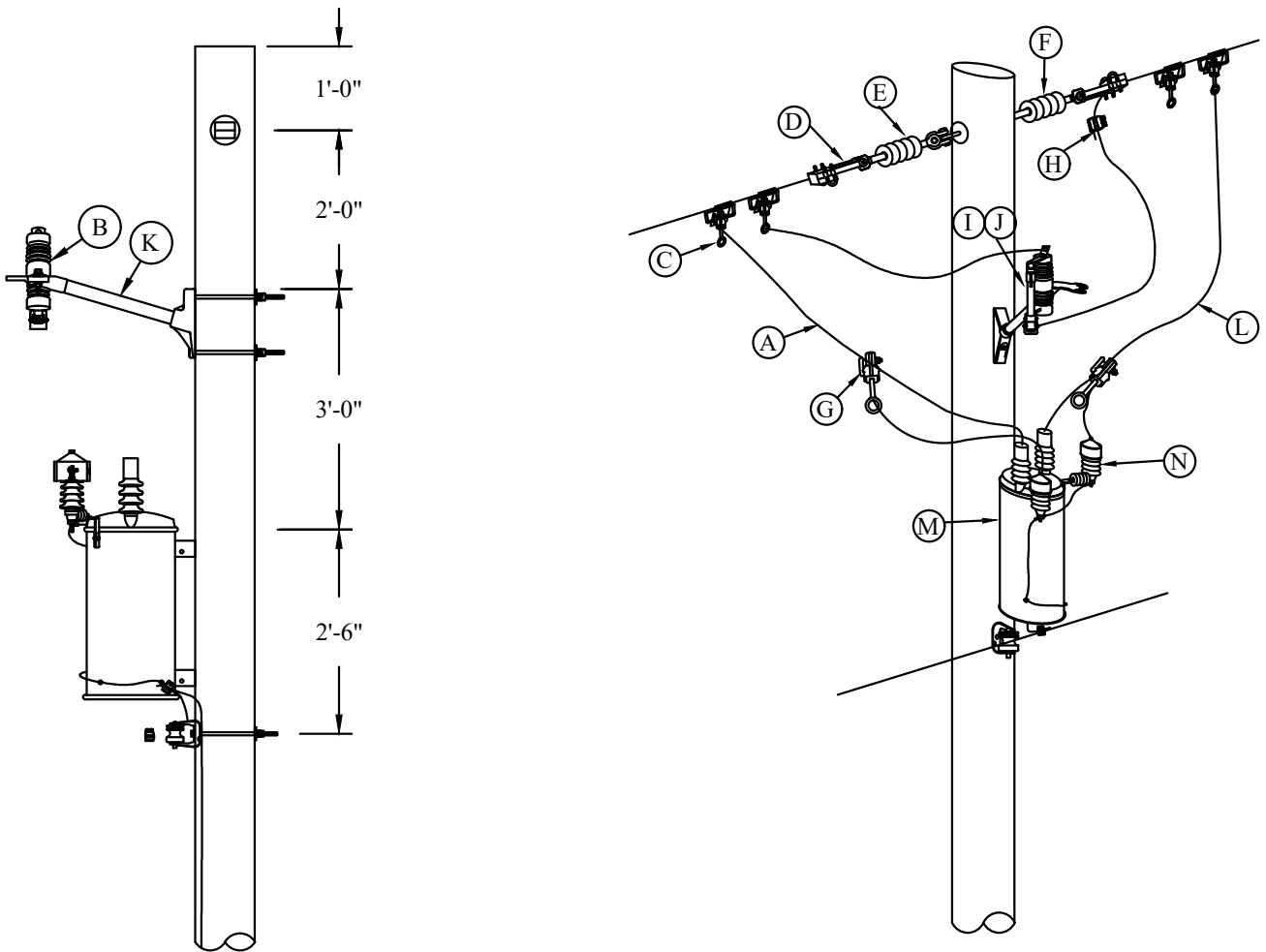
NOTE: REPLACE EXISTING POLE GROUNDS W. #2 TINNED CU

*WHEN REPLACING RECLOSER UNIT ONLY ON 1/0 NEUTRAL USE RECLEL3PH1/0N

SEE 1353 ASSOCIATED MODULES

MU-REF	MU-ID	MU-DESCRIPTION
13533001	RECLSR3PHDGRISER	RECLOSER 3 PHASE DG WITH RISER
13533011	RECLSR3PHDGRISER-CC	RECLOSER 3 PHASE DG WITH RISER - CC

REV_DATE:
04/01/26



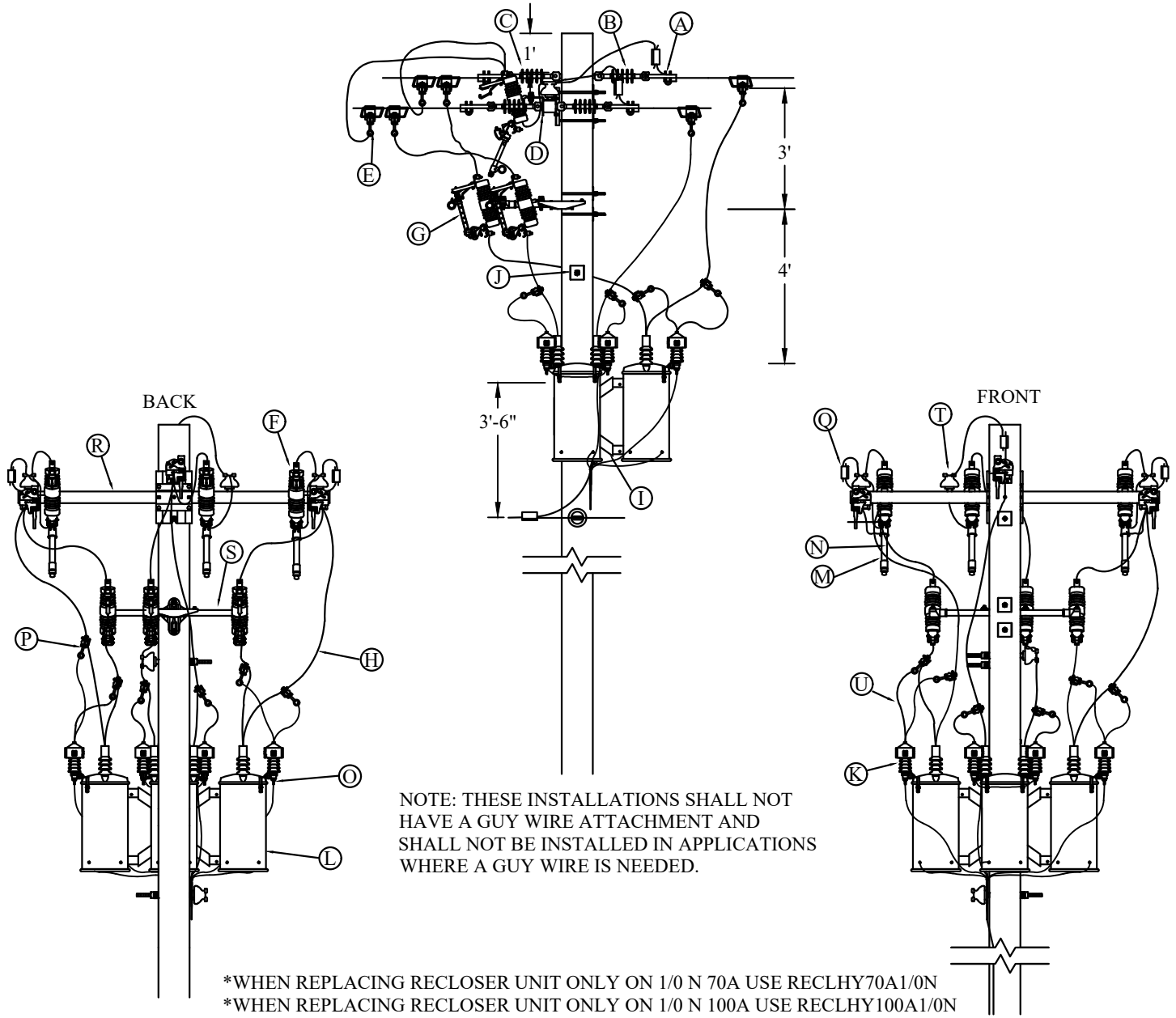
NOTE: REPLACE EXISTING POLE GROUNDS W. #2 TINNED CU

- *WHEN REPLACING RECLOSER UNIT ONLY ON 1/0 N 70A USE RECLHY70A1/0N
- *WHEN REPLACING RECLOSER UNIT ONLY ON 1/0 N 100A USE RECLHY100A1/0N
- *WHEN REPLACING RECLOSER UNIT ONLY ON 1/0 N 140A USE RECLHY140A1/0N
- *WHEN REPLACING RECLOSER UNIT ONLY ON 4/0 N 70A USE RECLHY70A4/0N
- *WHEN REPLACING RECLOSER UNIT ONLY ON 4/0 N 100A USE RECLHY100A4/0N
- *WHEN REPLACING RECLOSER UNIT ONLY ON 4/0 N 140A USE RECLHY140A4/0N

SEE 1353 ASSOCIATED MODULES

MU-REF	MU-ID	MU-DESCRIPTION
13533210	RECLHY1PH1/0P1/0N	RECLOSER HYDRAULIC 1P 1/0P 1/0N 70A
13533215	RECLHY1P1/0P1/0N100A	RECLOSER HYDRAULIC 1P 1/0P 1/0N 100A
13533220	RECLHY1P1/0P1/0N140A	RECLOSER HYDRAULIC 1P 1/0P 1/0N 140A
13533225	RECLHY1P1/0P4/0N70A	RECLOSER HYDRAULIC 1P 1/0P 4/0N 70A
13533230	RECLHY1P1/0P4/0N100A	RECLOSER HYDRAULIC 1P 1/0P 4/0N 100A
13533235	RECLHY1P1/0P4/0N140A	RECLOSER HYDRAULIC 1P 1/0P 4/0N 140A
13533240	RECLHY1PH1/0P1/0N-CC	RECLOSER HYDRAULIC 1P 1/0P 1/0N 70A - CC
13533245	RECLHY1P1/0P1/0N100A-CC	RECLOSER HYDRAULIC 1P 1/0P 1/0N 100A - CC
13533250	RECLHY1P1/0P1/0N140A-CC	RECLOSER HYDRAULIC 1P 1/0P 1/0N 140 - CC

RECLOSER 3 - 1PH HYDRAULIC 1/0 ASSEMBLY 8FT ARM



NOTE: THESE INSTALLATIONS SHALL NOT HAVE A GUY WIRE ATTACHMENT AND SHALL NOT BE INSTALLED IN APPLICATIONS WHERE A GUY WIRE IS NEEDED.

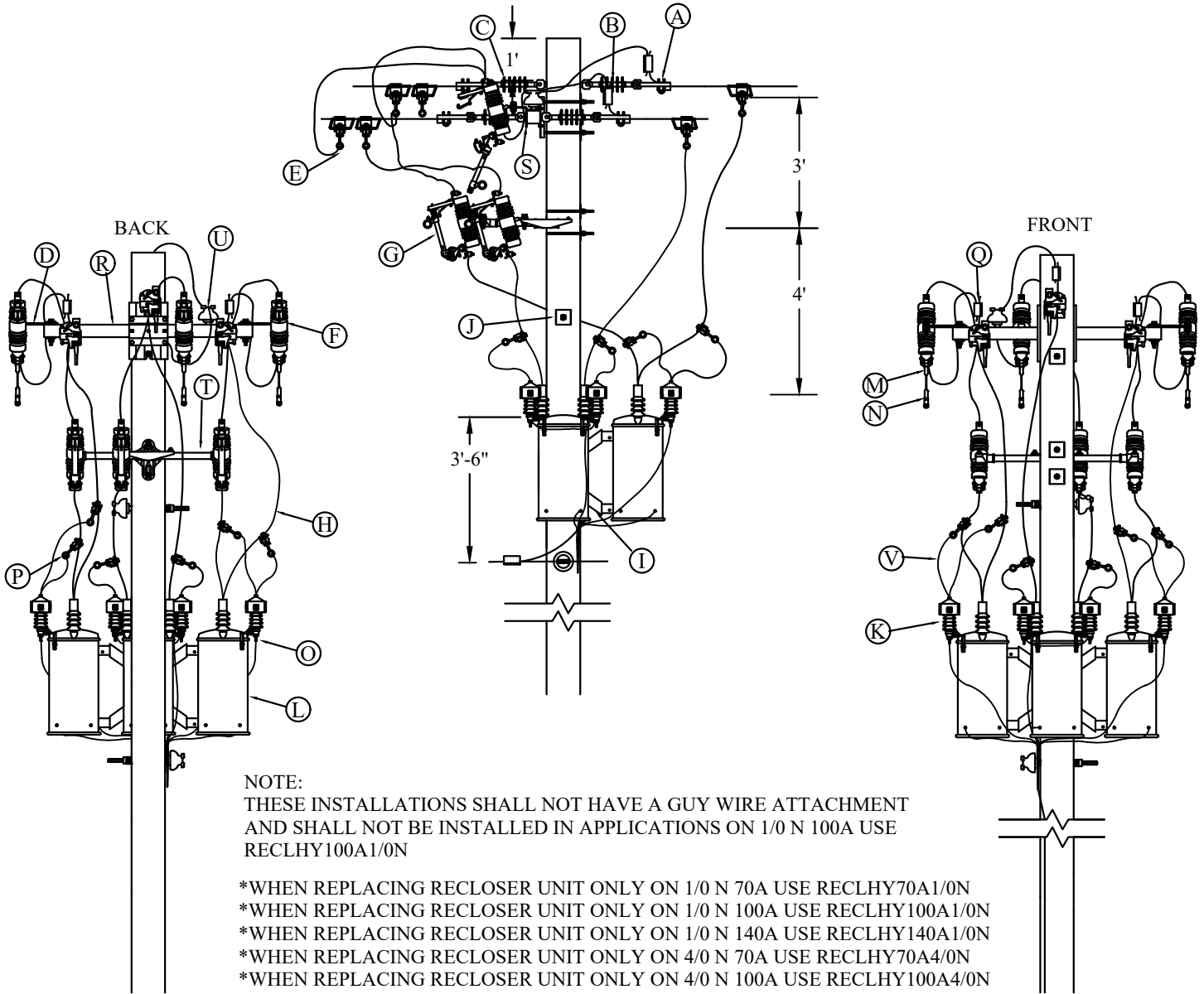
- *WHEN REPLACING RECLOSER UNIT ONLY ON 1/0 N 70A USE RECLHY70A1/0N
 - *WHEN REPLACING RECLOSER UNIT ONLY ON 1/0 N 100A USE RECLHY100A1/0N
 - *WHEN REPLACING RECLOSER UNIT ONLY ON 1/0 N 140A USE RECLHY140A1/0N
 - *WHEN REPLACING RECLOSER UNIT ONLY ON 4/0 N 70A USE RECLHY70A4/0N
 - *WHEN REPLACING RECLOSER UNIT ONLY ON 4/0 N 100A USE RECLHY100A4/0N
 - *WHEN REPLACING RECLOSER UNIT ONLY ON 4/0 N 140A USE RECLHY140A4/0N
- NOTE: REPLACE EXISTING POLE GROUNDS W. #2 TINNED CU

SEE 1353 ASSOCIATED MODULES

MU-REF	MU-ID	MU-DESCRIPTION
13533810	RECLHY3PH1/0P1/0N	RECLOSER HYDRAULIC 3P 1/0P 1/0N 70A 8FT
13533820	RECLHY3P1/0P1/0N100A8FT	RECLOSER HYDRAULIC 3P 1/0P 1/0N 100A 8FT
13533830	RECLHY3P1/0P1/0N140A8FT	RECLOSER HYDRAULIC 3P 1/0P 1/0N 140A 8FT
13533840	RECLHY3P1/0P4/0N70A8FT	RECLOSER HYDRAULIC 3P 1/0P 4/0N 70A 8FT
13533850	RECLHY3P1/0P4/0N100A8FT	RECLOSER HYDRAULIC 3P 1/0P 4/0N 100A 8FT
13533860	RECLHY3P1/0P4/0N140A8FT	RECLOSER HYDRAULIC 3P 1/0P 4/0N 140A 8FT
13533811	RECLHY3PH1/0P1/0N-CC	RECLOSER HYDRAULIC 3P 1/0P 1/0N 70A 8FT - CC
13533821	RECLHY3P1/0P1/0N1008FT-CC	RECLOSER HYDRAULIC 3P 1/0P 1/0N 100A 8FT - CC
13533831	RECLHY3P1/0P1/0N1408FT-CC	RECLOSER HYDRAULIC 3P 1/0P 1/0N 140A 8FT - CC

REV_DATE:
04/01/26

RECLOSER 3 - 1PH HYDRAULIC 1/0 ASSEMBLY 5FT ARM



NOTE:
THESE INSTALLATIONS SHALL NOT HAVE A GUY WIRE ATTACHMENT
AND SHALL NOT BE INSTALLED IN APPLICATIONS ON 1/0 N 100A USE
RECLHY100A1/0N

- *WHEN REPLACING RECLOSER UNIT ONLY ON 1/0 N 70A USE RECLHY70A1/0N
- *WHEN REPLACING RECLOSER UNIT ONLY ON 1/0 N 100A USE RECLHY100A1/0N
- *WHEN REPLACING RECLOSER UNIT ONLY ON 1/0 N 140A USE RECLHY140A1/0N
- *WHEN REPLACING RECLOSER UNIT ONLY ON 4/0 N 70A USE RECLHY70A4/0N
- *WHEN REPLACING RECLOSER UNIT ONLY ON 4/0 N 100A USE RECLHY100A4/0N
- *WHEN REPLACING RECLOSER UNIT ONLY ON 4/0 N 140A USE RECLHY140A4/0N

NOTE: REPLACE EXISTING POLE GROUNDS W. #2 TINNED CU

SEE 1353 ASSOCIATED MODULES

MU-REF	MU-ID	MU-DESCRIPTION
13534010	RECLHY3P1/0P1/0N70A5FT	RECLOSER HYDRAULIC 3P 1/0P 1/0N 70A 5FT
13534020	RECLHY3P1/0P1/0N100A5FT	RECLOSER HYDRAULIC 3P 1/0P 1/0N 100A 5FT
13534030	RECLHY3P1/0P1/0N140A5FT	RECLOSER HYDRAULIC 3P 1/0P 1/0N 140A 5FT
13534040	RECLHY3P1/0P4/0N70A5FT	RECLOSER HYDRAULIC 3P 1/0P 4/0N 70A 5FT
13534050	RECLHY3P1/0P4/0N100A5FT	RECLOSER HYDRAULIC 3P 1/0P 4/0N 100A 5FT
13534060	RECLHY3P1/0P4/0N140A5FT	RECLOSER HYDRAULIC 3P 1/0P 4/0N 140A 5FT
13534011	RECLHY3P1/0P1/0N70A5FT-CC	RECLOSER HYDRAULIC 3P 1/0P 1/0N 70A 5FT - CC
13534021	RECLHY3P1/0P1/0N100A5FT-CC	RECLOSER HYDRAULIC 3P 1/0P 1/0N 100A 5FT - CC
13534031	RECLHY3P1/0P1/0N140A5FT-CC	RECLOSER HYDRAULIC 3P 1/0P 1/0N 140A 5FT - CC