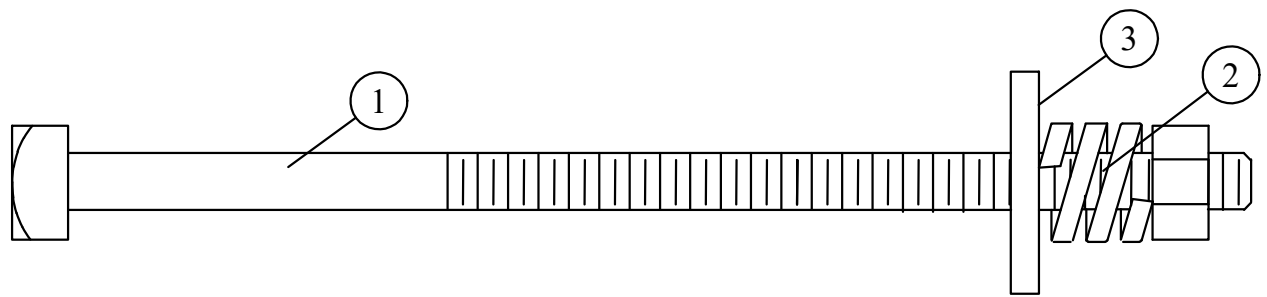


1352

VOLTAGE REGULATORS

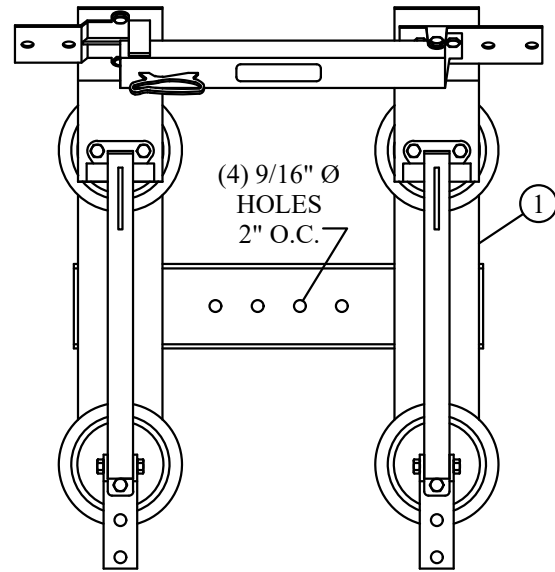
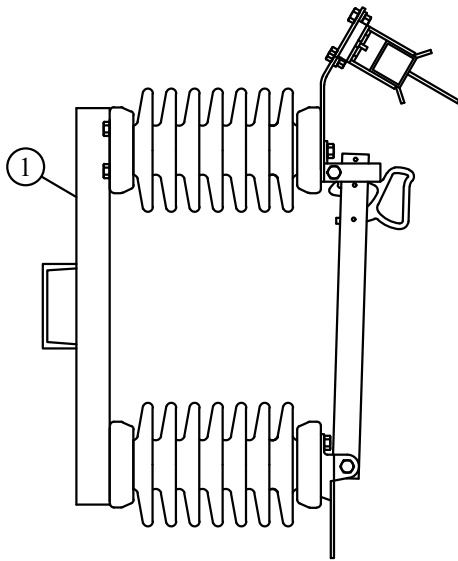
CONTAINS

- 1352-03 BOLT MOUNT**
- 1352-05 VOLTAGE REGULATOR BYPASS SWITCH/BRACKET**
- 1352-20 VOLTAGE REGULATOR CONTROL AND PLATFORM**
- 1352-30 VOLTAGE REGULATOR POLE MOUNT 1/0P-1/0N**
- 1352-31 VOLTAGE REGULATOR POLE MOUNT 795P-4/0N**
- 1352-41 VOLTAGE REGULATOR RACK MOUNT 795P-4/0N**

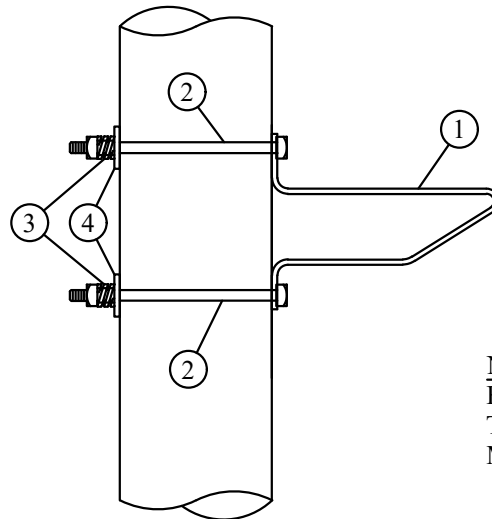


1352-03-01 5/8" X 16"
 1352-03-05 5/8" X 14"
 1352-03-10 3/4" X 16"

CU-REF	CU-ID	CU-DESCRIPTION
13520301	MTBTREGCTLBX	MOUNTING BOLT REG CONTROL BOX
13520305	MTBTREGXARM	MOUNTING BOLT REG XARM
13520310	MTBTREGRACK	MOUNTING BOLT REG RACK



1352-05-10



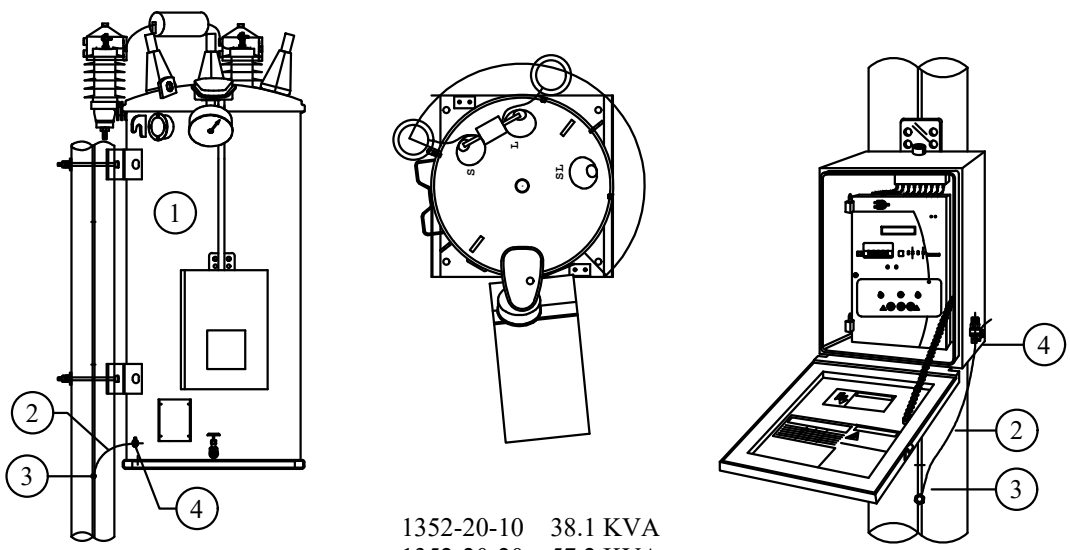
NOTE:
BRACKET WILL MOUNT
TO TIMBERS ON RACK
MOUNTED REGULATORS.

1352-05-20
POLE-MOUNTING BRACKET
(DISTRIBUTION STYLE)

CU-REF	CU-ID	CU-DESCRIPTION
13520510	SWBYPASSVREG333KVA-500KVA	SWITCH VOLTAGE REG BYPASS 333KVA - 500KVA
13520520	SWBYPASSVREG38KVA-250KVA	SWITCH VOLTAGE REG BYPASS 38KVA - 250KVA

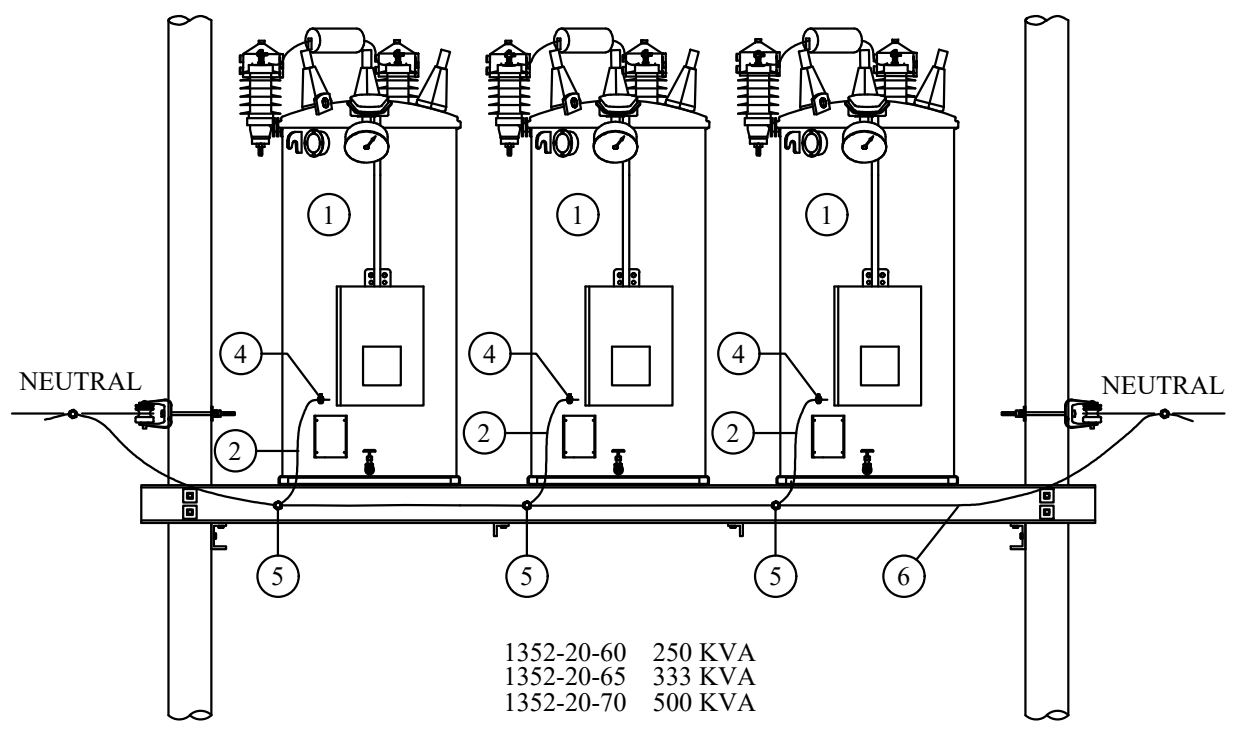
POLE APPARATUS
 VOLTAGE REGULATOR

VOLTAGE REGULATOR CONTROL AND PLATFORM



- 1352-20-10 38.1 KVA
- 1352-20-20 57.2 KVA
- 1352-20-30 76.2 KVA
- 1352-20-40 114.3 KVA
- 1352-20-50 167 KVA

CONTROL BOX

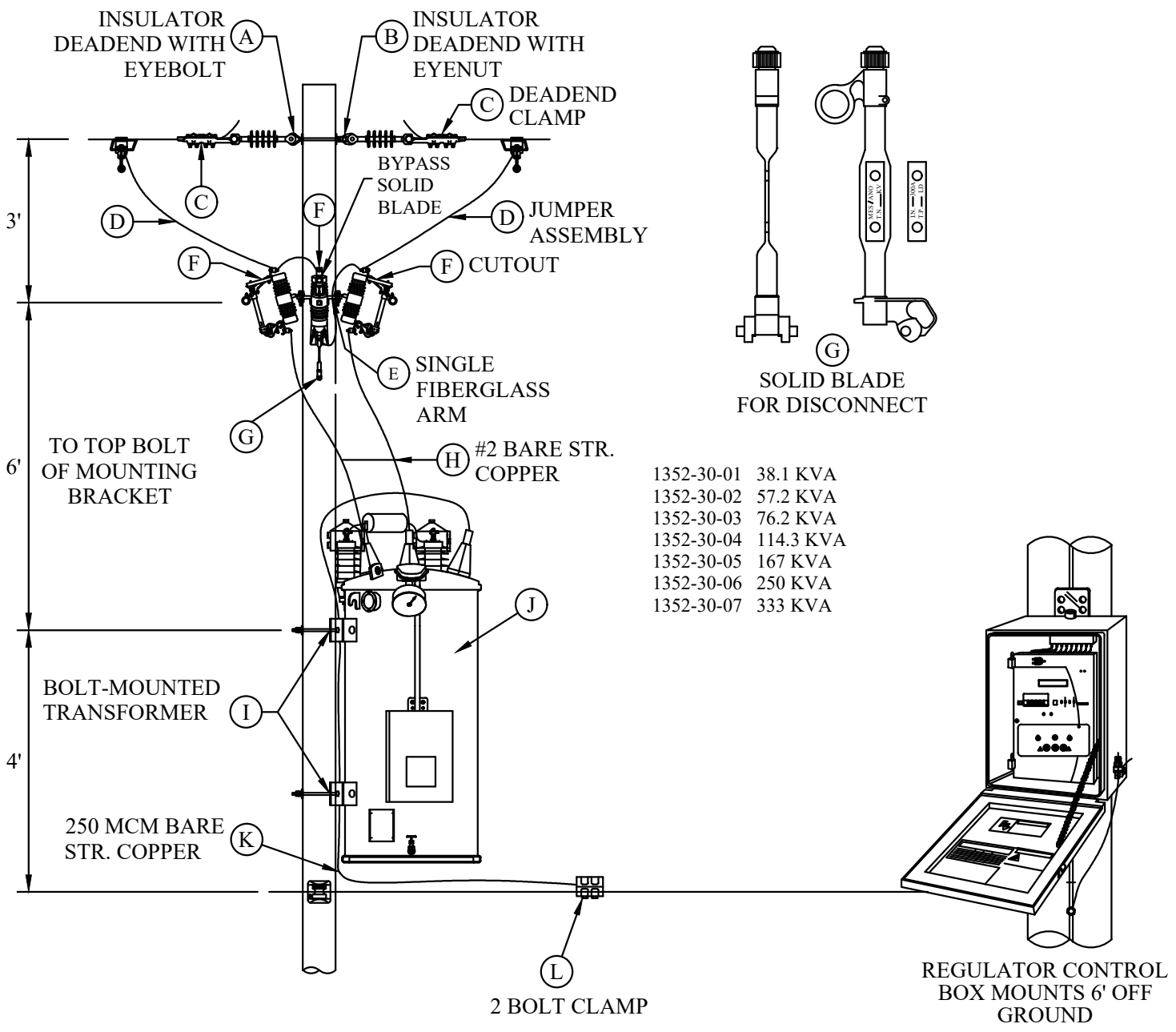


- 1352-20-60 250 KVA
- 1352-20-65 333 KVA
- 1352-20-70 500 KVA

CU-REF	CU-ID	CU-DESCRIPTION
13522010	VREG38KVA	VOLT REG 38.1 KVA
13522020	VREG57KVA	VOLT REG 57.2 KVA
13522030	VREG76KVA	VOLT REG 76.2 KVA
13522040	VREG114KVA	VOLT REG 114.3 KVA
13522050	VREG167KVA	VOLT REG 167 KVA
13522060	VREG250KVA	VOLT REG 250 KVA
13522065	VREG333KVA	VOLT REG 333 KVA
13522070	VREG500 KVA	VOLT REG 500 KVA

REV_DATE:
04/01/26

VOLTAGE REGULATOR POLE MOUNT 1/0P - 1/0N

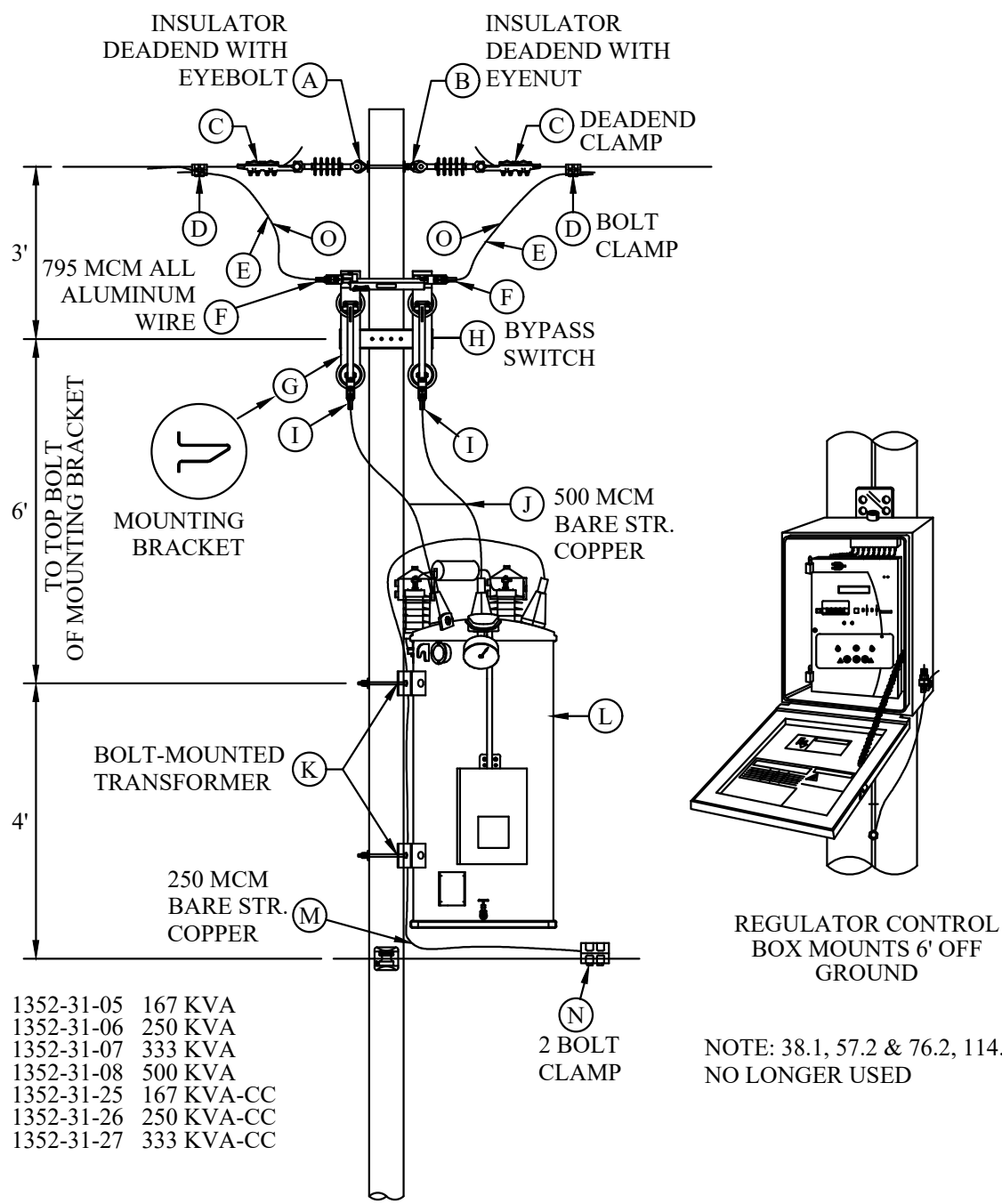


SEE 1352 ASSOCIATED MODULES

MU-REF	MU-ID	MU-DESCRIPTION
13523001	VOLTREG1PH38-1/0P1/0N	VOLT REG 38.1 KVA ASSY 1/0 PRI 1/0 NEUT
13523002	VOLTREG1PH57-1/0P1/0N	VOLT REG 57.2 KVA ASSY 1/0 PRI 1/0 NEUT
13523003	VOLTREG1PH76-1/0P1/0N	VOLT REG 76.2 KVA ASSY 1/0 PRI 1/0 NEUT
13523004	VOLTREG1PH114-1/0P1/0N	VOLT REG 114.3 KVA ASSY 1/0 PRI 1/0 NEUT
13523005	VOLTREG1PH167-1/0P1/0N	VOLT REG 167 KVA ASSY 1/0 PRI 1/0 NEUT
13523006	VOLTREG1PH250-1/0P1/0N	VOLT REG 250 KVA ASSY 1/0 PRI 1/0 NEUT
13523007	VOLTREG1PH333-1/0P1/0N	VOLT REG 333 KVA ASSY 1/0 PRI 1/0 NEUT

POLE APPARATUS
 VOLTAGE REGULATORS

VOLTAGE REGULATOR POLE MOUNT 795P - 4/0N



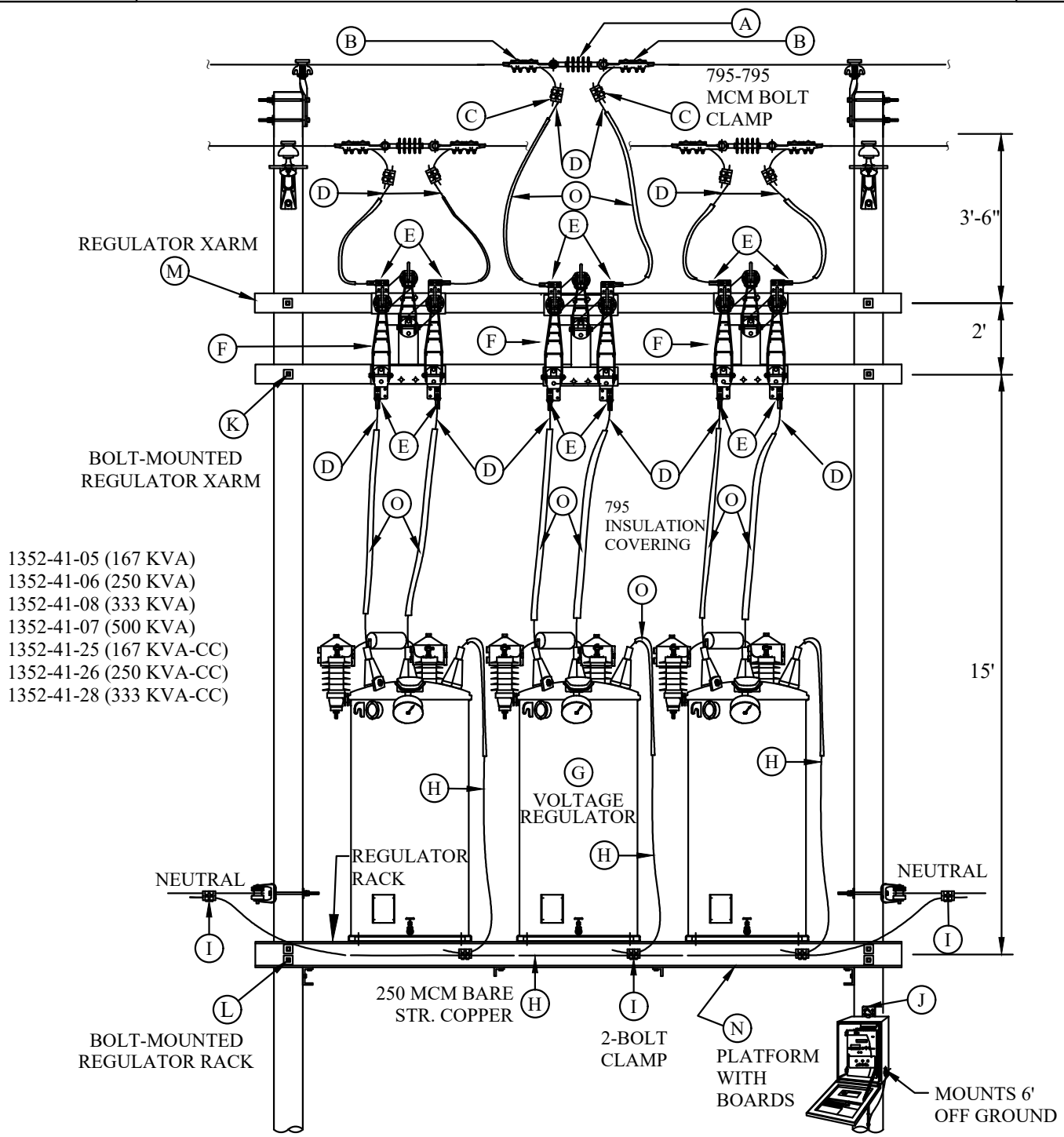
- 1352-31-05 167 KVA
- 1352-31-06 250 KVA
- 1352-31-07 333 KVA
- 1352-31-08 500 KVA
- 1352-31-25 167 KVA-CC
- 1352-31-26 250 KVA-CC
- 1352-31-27 333 KVA-CC

SEE 1352 ASSOCIATED MODULES

MU-REF	MU-ID	MU-DESCRIPTION
13523105	VOLTREG1PH167-795P4/0N	VOLT REG 167 KVA ASSY 795P- 4/0N
13523106	VOLTREG1PH250-795P4/0N	VOLT REG 250 KVA ASSY 795P- 4/0N
13523107	VOLTREG1PH333-795P4/0N	VOLT REG 333 KVA ASSY 795P-4/0N
13523108	VOLTREG1PH500-795P4/0N	VOLT REG 500 KVA ASSY 795P-4/0N
13523125	VOLTREG1PH167-795P4/0N-CC	VOLT REG 167 KVA ASSY 795P-4/0N - CC
13523126	VOLTREG1PH250-795P4/0N-CC	VOLT REG 250 KVA ASSY 795P-4/0N - CC
13523127	VOLTREG1PH333-795P4/0N-CC	VOLT REG 333 KVA ASSY 795P-4/0N - CC

POLE APPARATUS
 VOLTAGE REGULATORS

VOLTAGE REGULATOR RACK MOUNT 795P - 4/0N



- 1352-41-05 (167 KVA)
- 1352-41-06 (250 KVA)
- 1352-41-08 (333 KVA)
- 1352-41-07 (500 KVA)
- 1352-41-25 (167 KVA-CC)
- 1352-41-26 (250 KVA-CC)
- 1352-41-28 (333 KVA-CC)

NOTES: WHEN USING RACK, YOU MUST USE 55' FT. CLASS 2 POLE FOR REGULATOR RACKS SIZE 167-333KVA, FOR REGULAR RACKS SIZE 500KVA, CLASS 1 POLES MUST BE USED. POLE MUST BE 16 FT. APART FROM CENTER TO CENTER. POLE MUST BE SET 10 FT DEEP. REGULATOR RACK, TIMBERS & PLATFORM BOARDS ARE IN STOCK.

SEE 1352 ASSOCIATED MODULES

MU-REF	MU-ID	MU-DESCRIPTION
13524105	VOLTREGRACK167-795P4/0N	VOLT REG RACK MNT 167 KVA ASSY 795P- 4/0N
13524106	VOLTREGRACK250-795P4/0N	VOLT REG RACK MNT 250 KVA ASSY 795P- 4/0N
13524107	VOLTREGRACK500-795P4/0N	VOLT REG RACK MNT 500 KVA ASSY 795P-4/0N
13524108	VOLTREGRACK333-795P4/0N	VOLT REG RACK MNT 333 KVA ASSY 795P-4/0N
13524125	VOLTREGRCK167-795P4/0N-CC	VOLT REG RACK MNT 167 KVA ASSY 795P-4/0N - CC
13524126	VOLTREGRCK250-795P4/0N-CC	VOLT REG RACK MNT 250 KVA ASSY 795P-4/0N - CC
13524128	VOLTREGRCK333-795P4/0N-CC	VOLT REG RACK MNT 333 KVA ASSY 795P-4/0N - CC