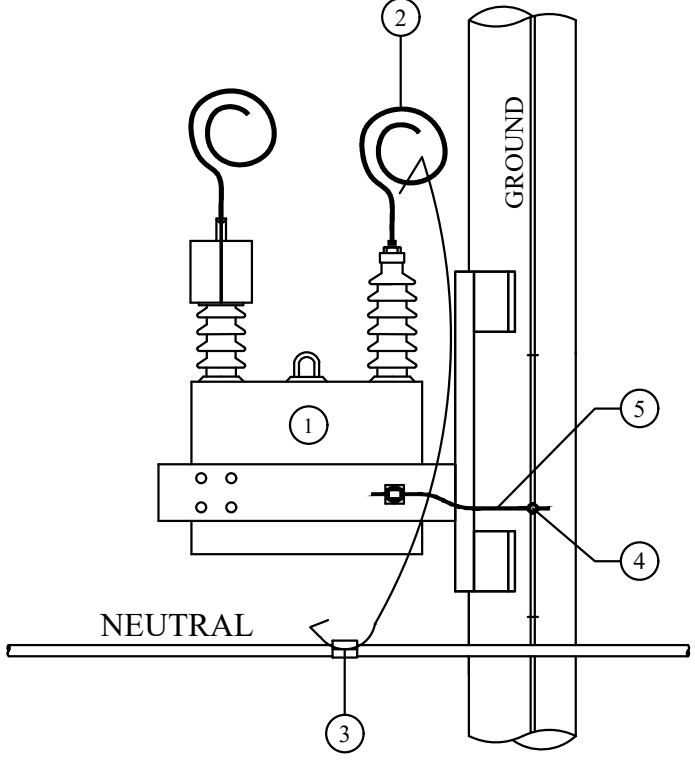
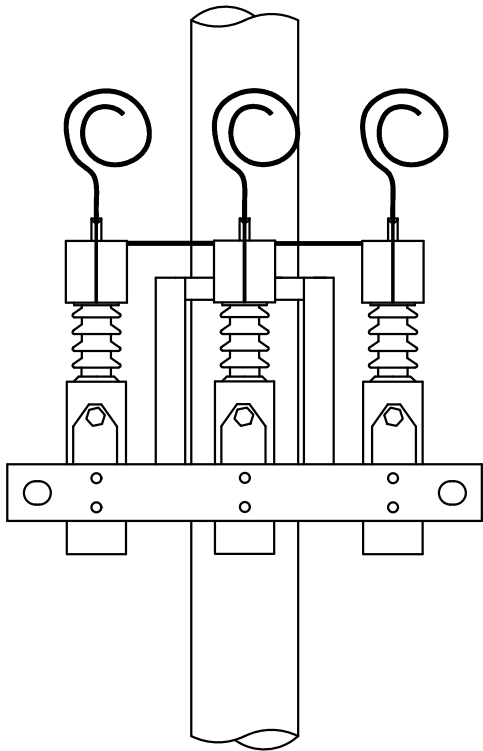


1349

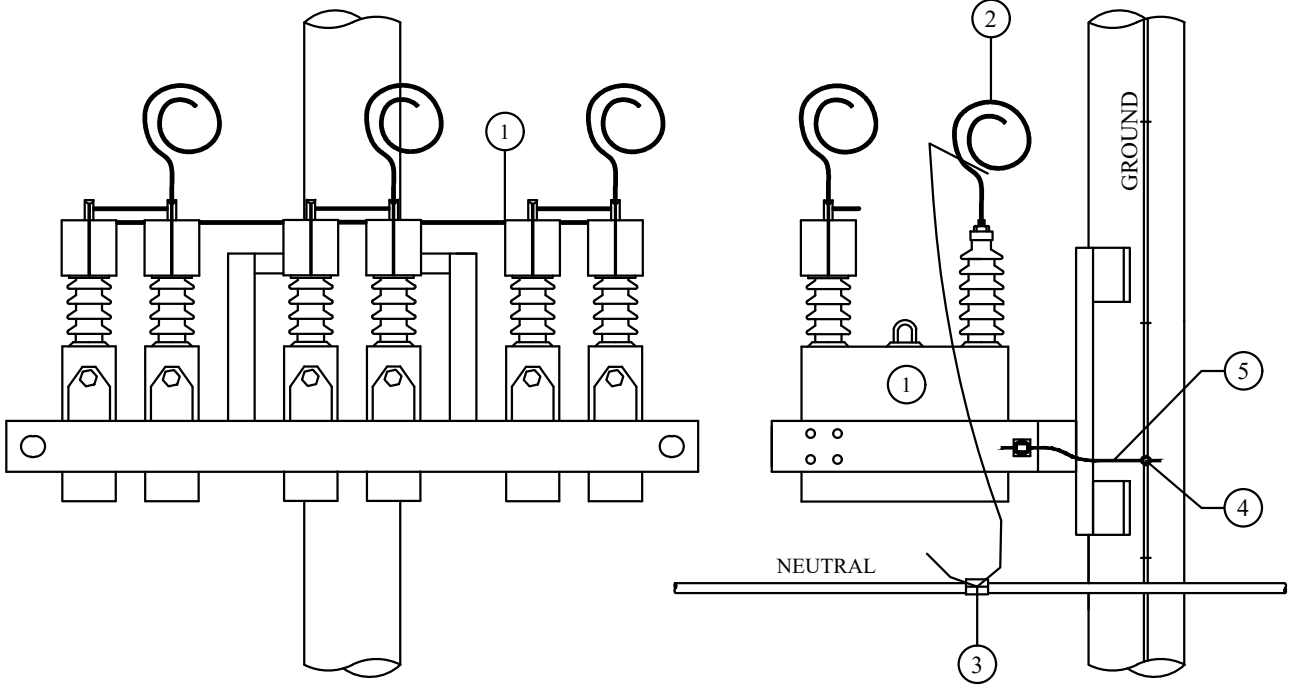
CAPACITOR BANKS

CONTAINS

- 1349-10 CAP BANK 600 KVAR FIXED
- 1349-20 CAP BANK 1200 KVAR FIXED
- 1349-30 CAP BANK 1200 KVAR SWITCHED
- 1349-51 CAP BANK 3PH 600 KVAR FIXED ASSEMBLY
- 1349-53 CAP BANK 3PH 1200 KVAR FIXED ASSEMBLY
- 1349-55 CAP BANK 3PH 1200 KVAR SWITCHED ASSEMBLY



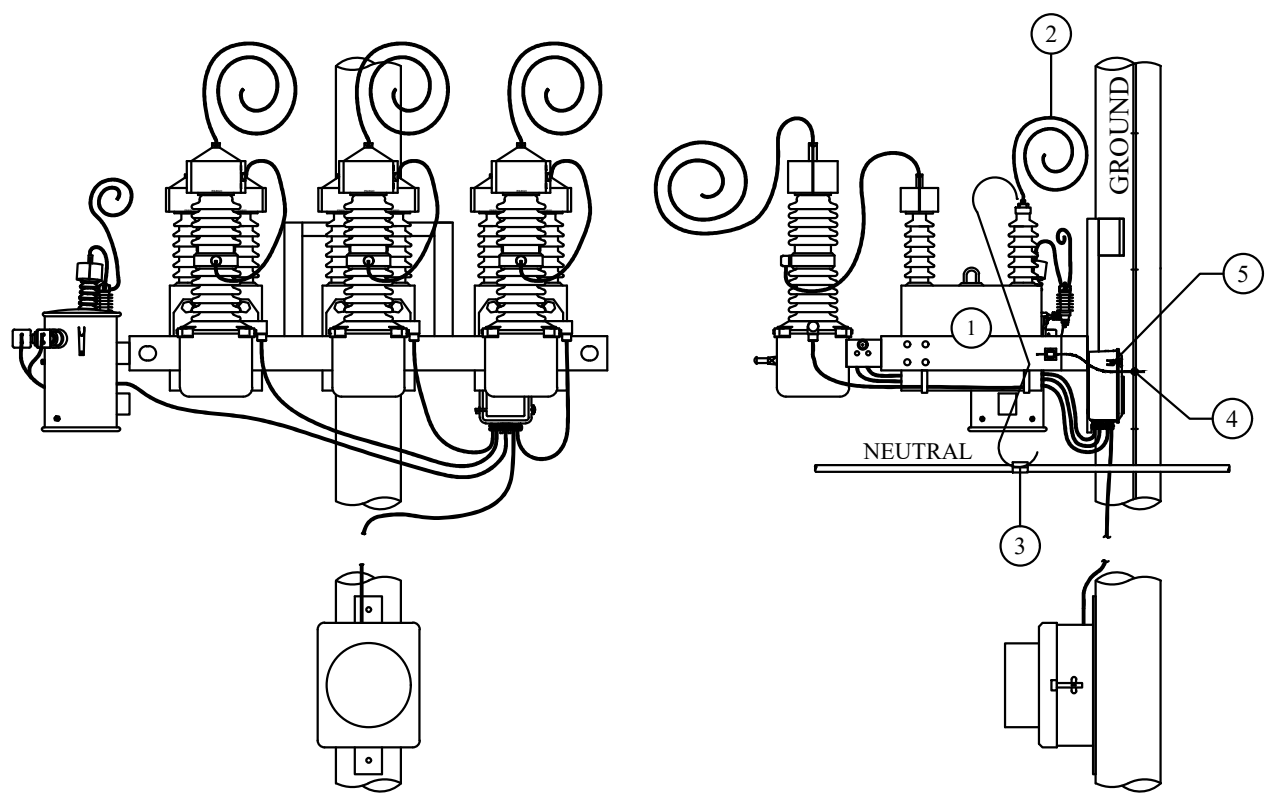
CU-REF	CU-ID	CU-DESCRIPTION
13491010	CAPBANK600KVARF1/0N	CAP BANK 600 KVAR FIXED 1/0 NEUT
13491020	CAPBANK600KVARF4/0N	CAP BANK 600 KVAR FIXED 4/0 NEUT



1349-20-10 1/0 NEUTRAL
1349-20-20 4/0 NEUTRAL

CU-REF	CU-ID	CU-DESCRIPTION
13492010	CAPBANK1200KVARF1/0N	CAP BANK 1200 KVAR FIXED 1/0 NEUT
13492020	CAPBANK1200KVARF4/0N	CAP BANK 1200 KVAR FIXED 4/0 NEUT

CAP BANK 1200 KVAR SWITCHED

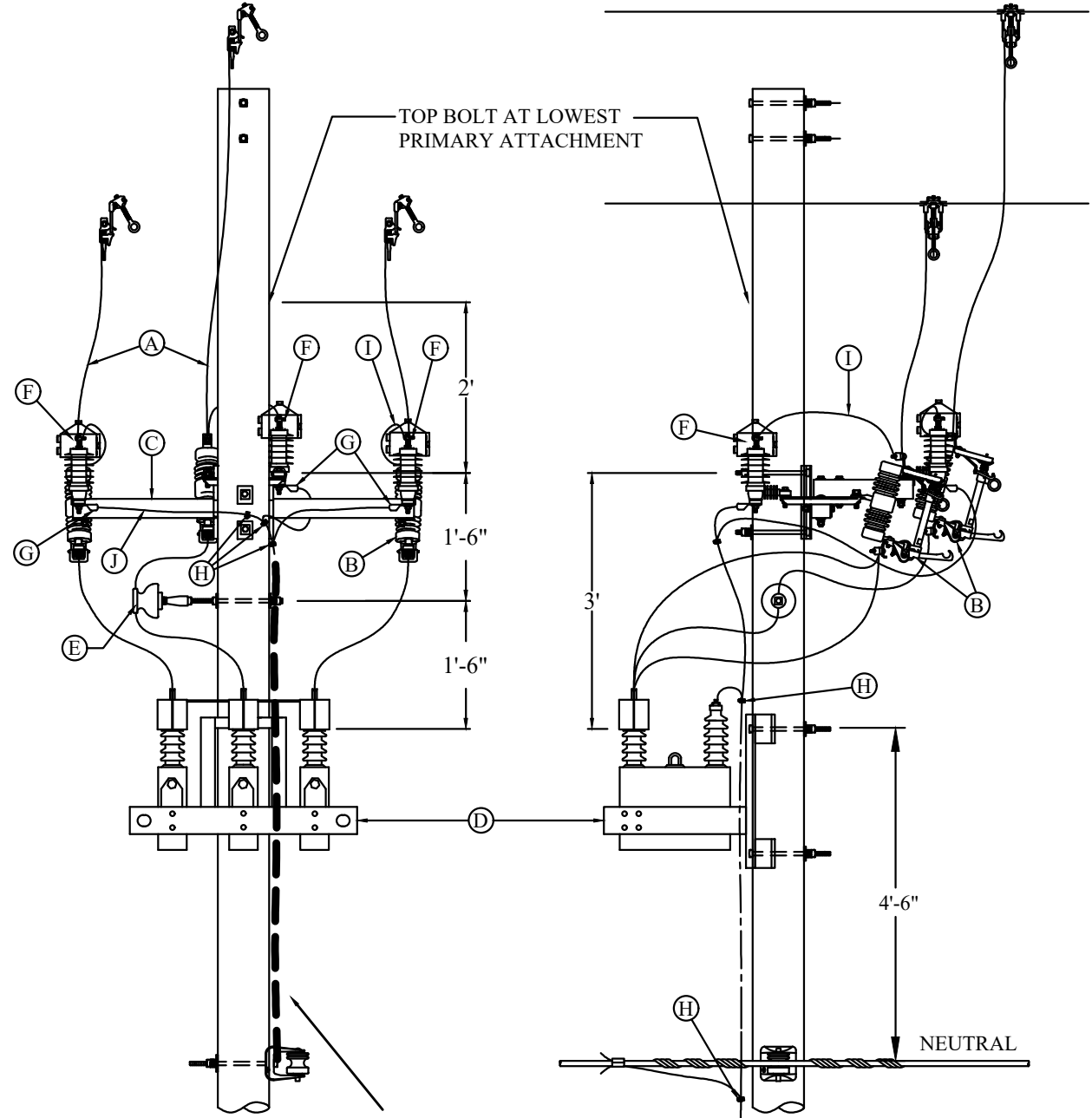


NOTE:
METER BASE SHALL BE INSTALLED
7' ABOVE GROUND LEVEL.

1349-30-10 1/0 NEUTRAL
1349-30-20 4/0 NEUTRAL

CU-REF	CU-ID	CU-DESCRIPTION
13493010	CAPBANK1200KVARSW1/0N	CAP BANK 1200 KVAR SWITCHED 1/0 NEUT
13493020	CAPBANK1200KVARSW4/0N	CAP BANK 1200 KVAR SWITCHED 4/0 NEUT

CAP BANK 3PH 600 KVAR FIXED ASSEMBLY



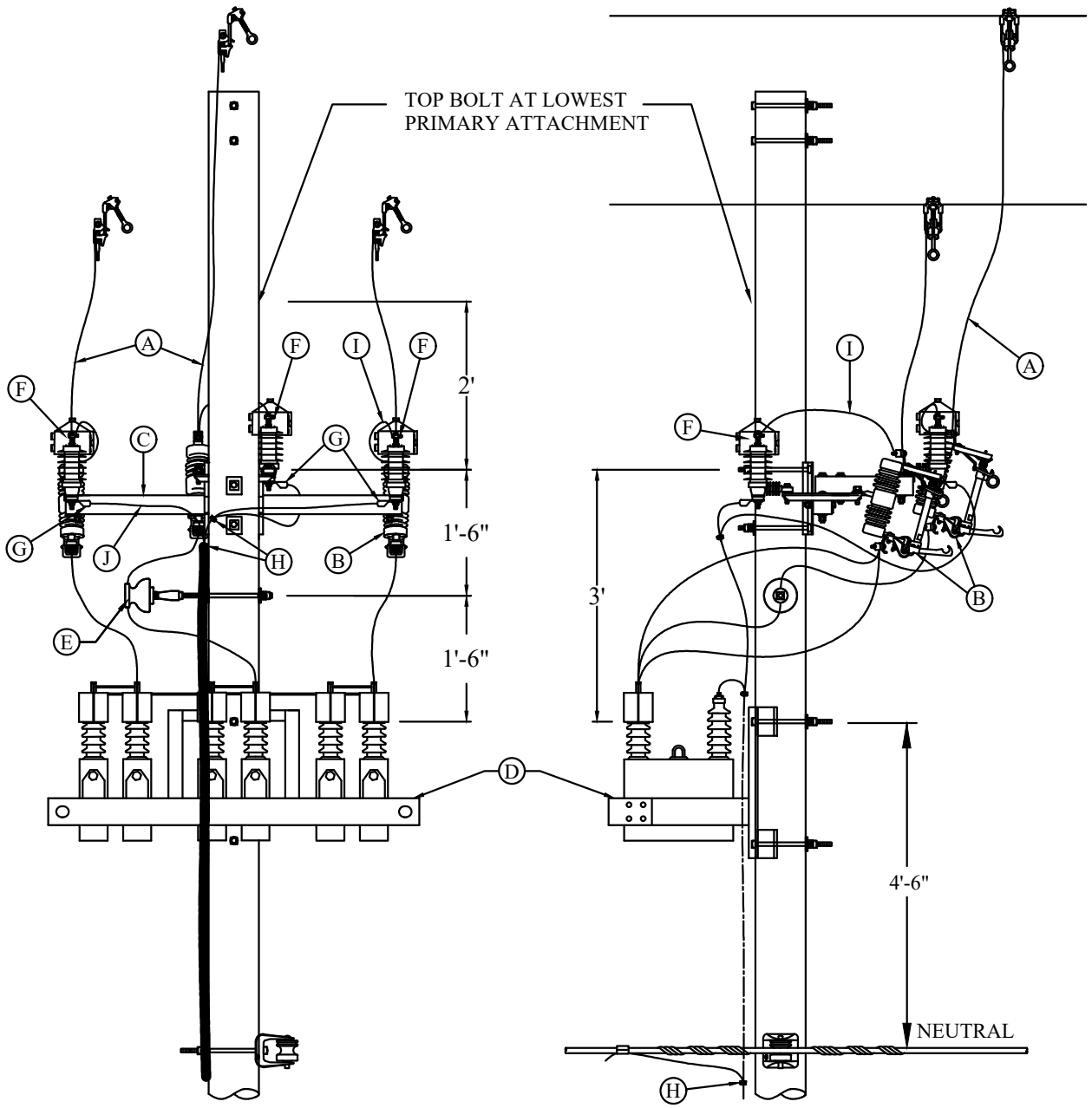
NOTE: REPLACE EXISTING POLE GROUNDS W. #2 TINNED CU

- 1349-51-10 1/0 PRIMARY / 1/0 NEUTRAL
- 1349-51-20 4/0 PRIMARY / 4/0 NEUTRAL
- 1349-51-30 336 PRIMARY / 1/0 NEUTRAL
- 1349-51-40 795 PRIMARY / 1/0 NEUTRAL
- 1349-51-50 795 PRIMARY / 4/0 NEUTRAL
- 1349-51-60 #6 TO 4/0 CU PRIMARY / 1/0 NEUTRAL

SEE 1349 ASSOCIATED MODULES

MU-REF	MU-ID	MU-DESCRIPTION
13495110	CAPASSY600KVARF1/0P1/0N	CAP ASSY 600 KVAR FIXED 1/0 PRI 1/0 N
13495120	CAPASSY600KF4/0P4/0N	CAP ASSY 600 KVAR FIXED 4/0 PRI 4/0 N
13495130	CAPASSY600KF336P1/0N	CAP ASSY 600 KVAR FIXED 336 PRI 1/0 N
13495140	CAPASSY600KF795P1/0N	CAP ASSY 600 KVAR FIXED 795 PRI 1/0 N
13495150	CAPASSY600KF795P4/0N	CAP ASSY 600 KVAR FIXED 795 PRI 4/0 N
13495160	CAPASSY600F6-4/0CUP1/0N	CAP ASSY 600 KVAR FIXED #6- 4/0 CU P 1/0

CAP BANK 3PH 1200 KVAR FIXED ASSEMBLY



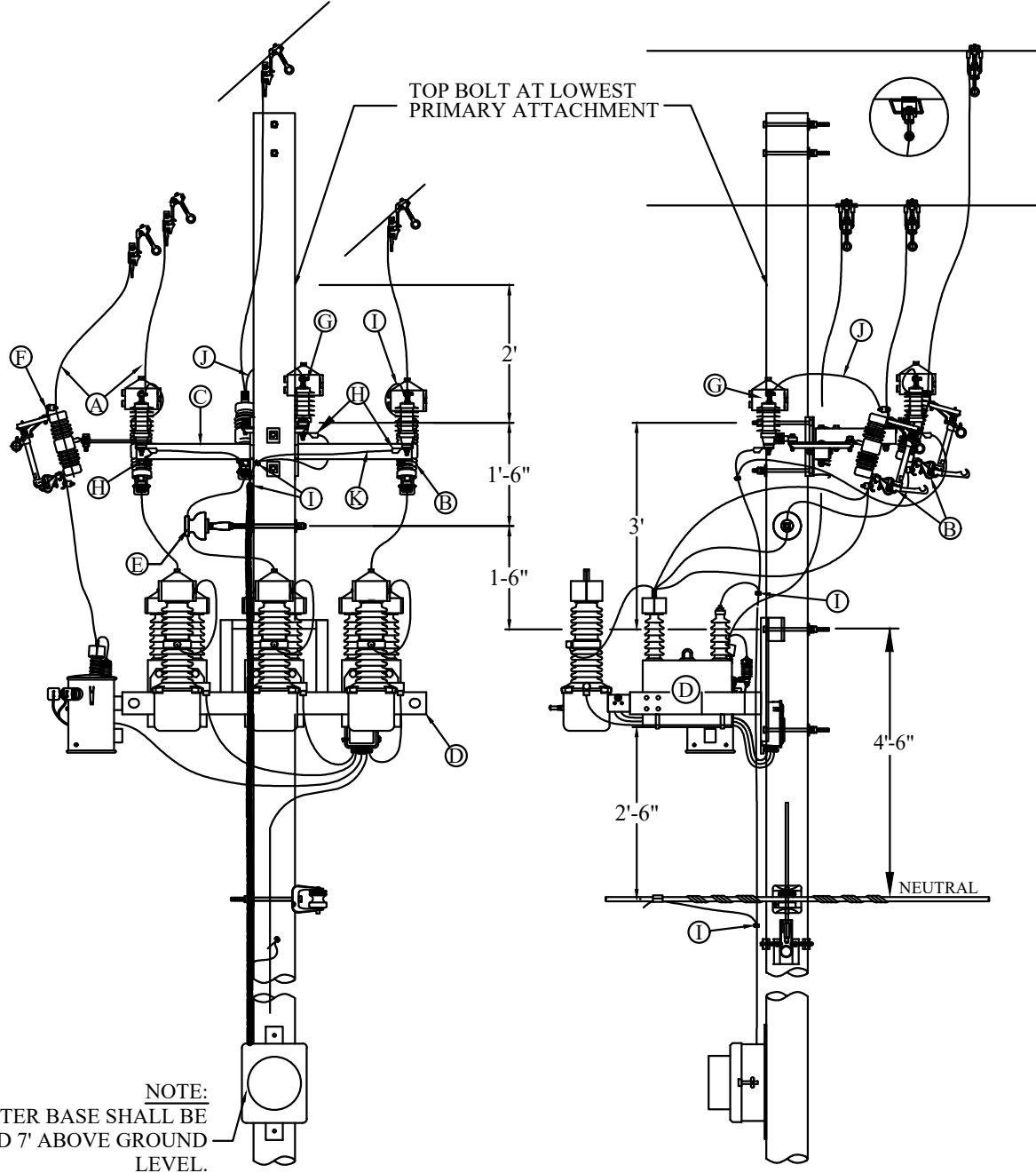
NOTE: REPLACE EXISTING POLE GROUNDS W. #2 TINNED CU

- 1349-53-10 1/0 PRIMARY / 1/0 NEUTRAL
- 1349-53-20 4/0 PRIMARY / 4/0 NEUTRAL
- 1349-53-30 336 PRIMARY / 1/0 NEUTRAL
- 1349-53-40 795 PRIMARY / 1/0 NEUTRAL
- 1349-53-50 795 PRIMARY / 4/0 NEUTRAL
- 1349-53-60 #6 TO 4/0 CU PRIMARY / 1/0 NEUTRAL

SEE 1349 ASSOCIATED MODULES

MU-REF	MU-ID	MU-DESCRIPTION
13495310	CAPASSY1200F1/0P1/0N	CAP ASSY 1200 KVAR FIXED 1/0 PRI 1/0 N
13495320	CAPASSY1200KF4/0P4/0N	CAP ASSY 1200 KVAR FIXED 4/0 PRI 4/0 N
13495330	CAPASSY1200F336P1/0N	CAP ASSY 1200 KVAR FIXED 336 PRI 1/0 N
13495340	CAPASSY1200F795P1/0N	CAP ASSY 1200 KVAR FIXED 795 PRI 1/0 N
13495350	CAPASSY1200KF795P4/0N	CAP ASSY 1200 KVAR FIXED 795 PRI 4/0 N
13495360	CAPASSY1200F6-4/0CUP1/0N	CAP ASSY 1200 KVAR FIXED #6- 4/0 CU P 1/0

CAP BANK 3PH 1200 KVAR SWITCHED ASSEMBLY



NOTE:
METER BASE SHALL BE
INSTALLED 7' ABOVE GROUND
LEVEL.

NOTE: REPLACE EXISTING POLE GROUNDS W. #2 TINNED CU

- 1349-55-10 1/0 PRIMARY / 1/0 NEUTRAL
- 1349-55-20 4/0 PRIMARY / 4/0 NEUTRAL
- 1349-55-30 336 PRIMARY / 1/0 NEUTRAL
- 1349-55-40 795 PRIMARY / 1/0 NEUTRAL
- 1349-55-50 795 PRIMARY / 4/0 NEUTRAL
- 1349-55-60 #6 TO 4/0 CU PRIMARY / 1/0 NEUTRAL

SEE 1349 ASSOCIATED MODULES

MU-REF	MU-ID	MU-DESCRIPTION
13495510	CAPASSY1200SW1/0P1/0N	CAP ASSY 1200 KVAR SW 1/0 PRI 1/0 N
13495520	CAPASSY1200SW4/0P4/0N	CAP ASSY 1200 KVAR SW 4/0 PRI 4/0 N
13495530	CAPASSY1200SW336P1/0N	CAP ASSY 1200 KVAR SW 336 PRI 1/0 N
13495540	CAPASSY1200SW795P1/0N	CAP ASSY 1200 KVAR SW 795 PRI 1/0 N
13495550	CAPASSY1200SW795P4/0N	CAP ASSY 1200 KVAR SW 795 PRI 4/0 N
13495560	CAPASSY1200SW6-4/0CUP1/0N	CAP ASSY 1200 KVAR SW #6- 4/0 CU PRI 1/0