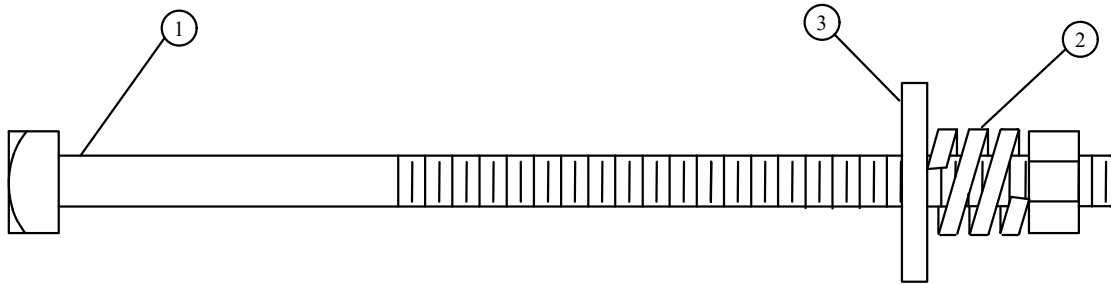


1315

OVERHEAD (OH) TRANSFORMERS

CONTAINS

- 1315-03 BOLT FOR MOUNTING TRANSFORMER
- 1315-05 CLUSTER MOUNT
- 1315-06 JUMPER STRAP 167 KVA
- 1315-10 TRANSFORMER 120/240V
- 1315-20 TRANSFORMER 240/480V
- 1315-30 TRANSFORMER 277/480V
- 1315-40 TRANSFORMER 1PH ASSEMBLY
- 1315-50 TRANSFORMER OPEN DELTA ASSEMBLY
- 1315-60 TRANSFORMER 3PH ASSEMBLY
- 1315-70 BUS WIRE 1PH TRANSFORMER
- 1315-72 BUS WIRE POWER TRANSFORMER
- 1315-73A BUS WIRE WYE BANKS 10-100KVA
- 1315-73B BUS WIRE WYE BANKS 167KVA
- 1315-74 TRANSFORMER CONNECTIONS

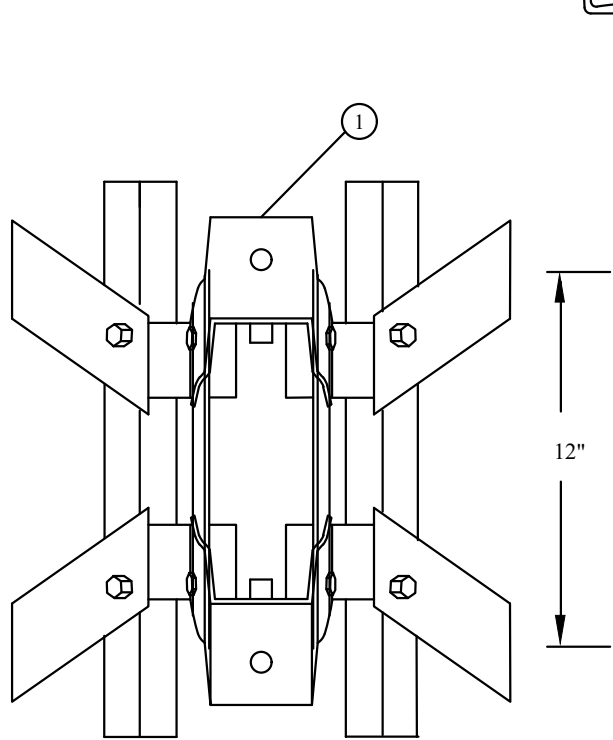
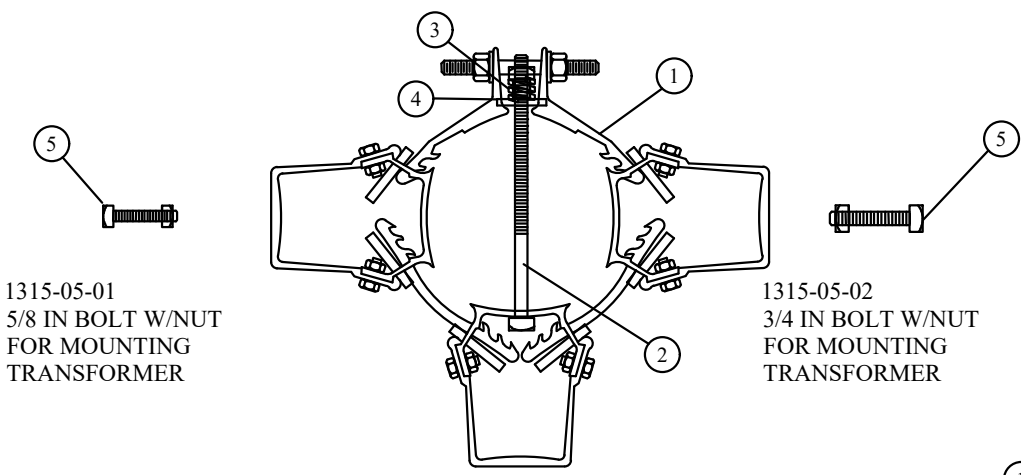


1315-03-01 5/8 IN
1315-03-02 3/4 IN

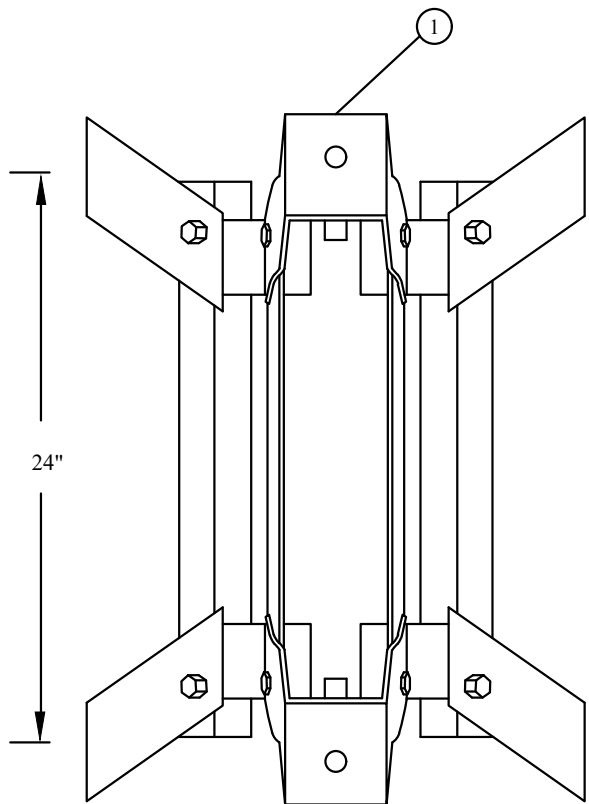
CU-REF	CU-ID	CU-DESCRIPTION
13150301	BTMTXFMR5/8IN	BOLT MOUNT TRANSFORMER 5/8 IN
13150302	BTMTXFMR3/4IN	BOLT MOUNT TRANSFORMER 3/4 IN

POLE APPARATUS
OVERHEAD (OH) TRANSFORMERS
CLUSTER MOUNT

REV_DATE:
04/01/26



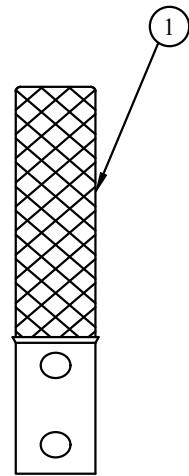
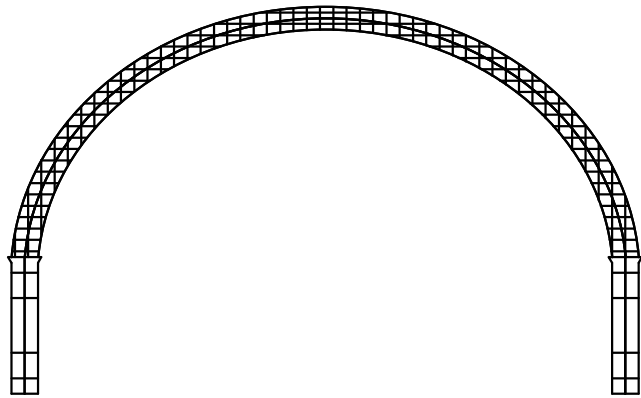
NOTE: 5/8" BOLTS AND
1315-05-01 TO BE USED
ON 10KVA THRU 50KVA
TRANSFORMERS



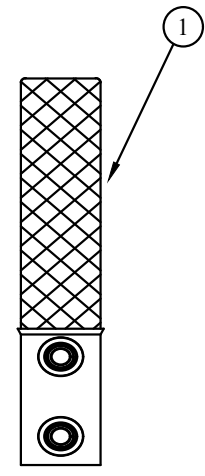
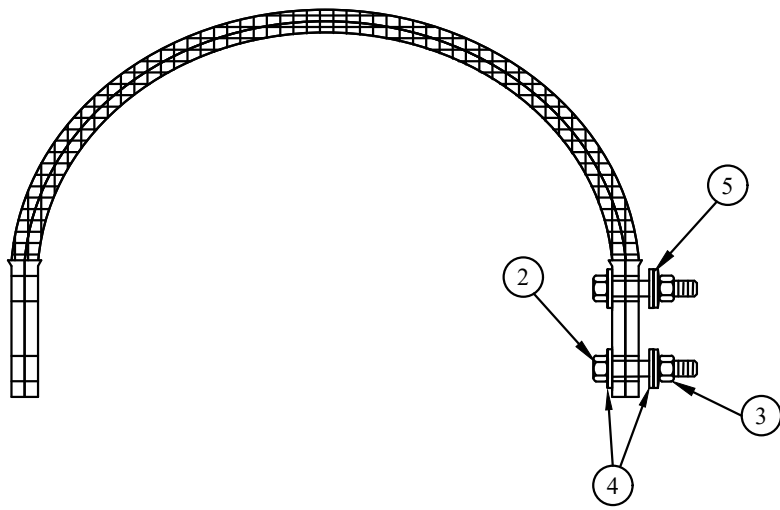
NOTE: 3/4" BOLTS AND
1315-05-02 TO BE USED
ON 75KVA THRU 167KVA
TRANSFORMERS

CU-REF	CU-ID	CU-DESCRIPTION
13150501	CLUSTERMOUNT	CLUSTER MOUNT
13150502	CLUSTERMOUNT3/4INB	CLUSTER MOUNT WITH 3/4 IN BOLTS

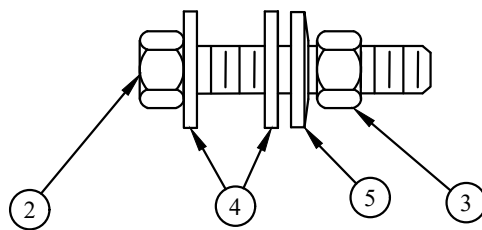
REV_DATE:
04/01/26



1315-06-01



1315-06-02

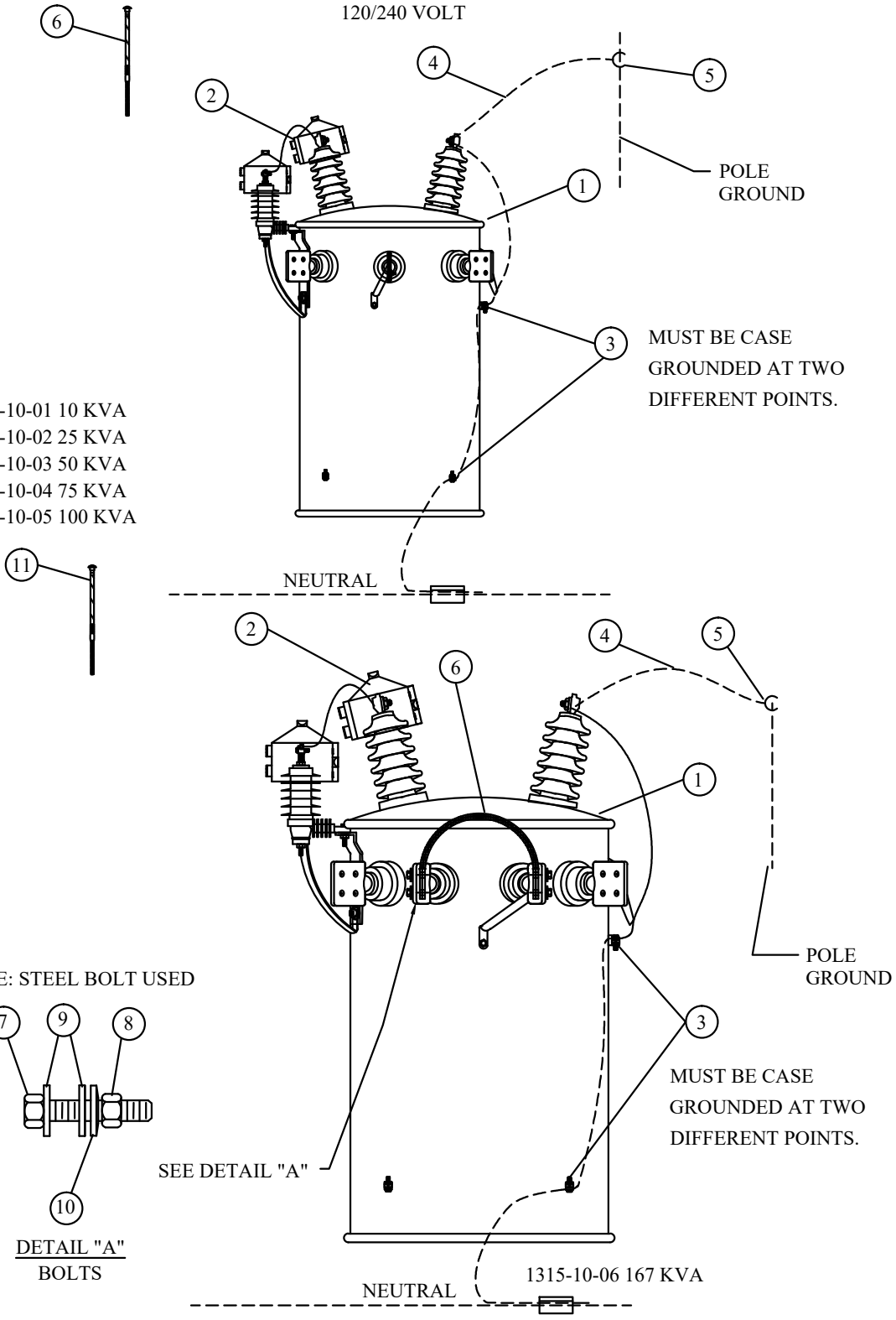


CU-REF	CU-ID	CU-DESCRIPTION
13150601	JUBRSTRAP	JUMPER BRAIDED STRAP
13150602	JUBRSTRAPW/BT	JUMPER BRAIDED STRAP W/BOLTS

POLE APPARATUS
OVERHEAD (OH) TRANSFORMERS
TRANSFORMER 120/240V

REV_DATE:
04/01/26

- 1315-10-01 10 KVA
- 1315-10-02 25 KVA
- 1315-10-03 50 KVA
- 1315-10-04 75 KVA
- 1315-10-05 100 KVA

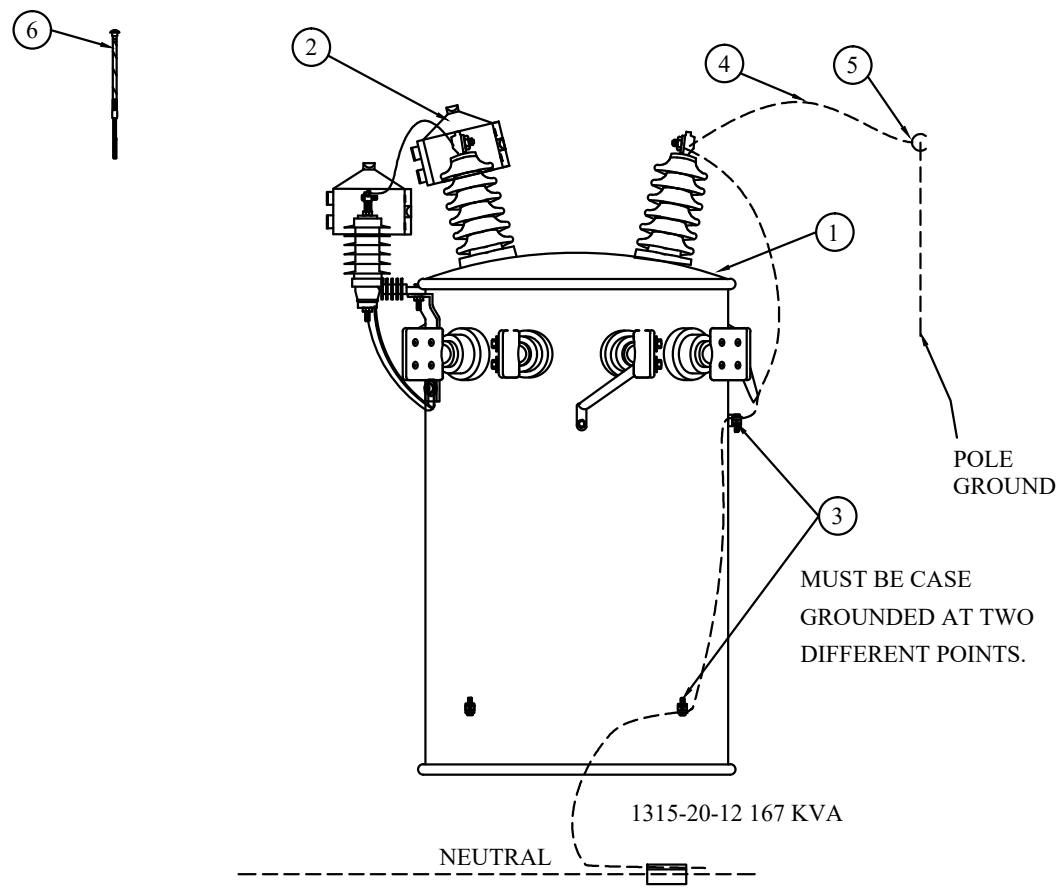
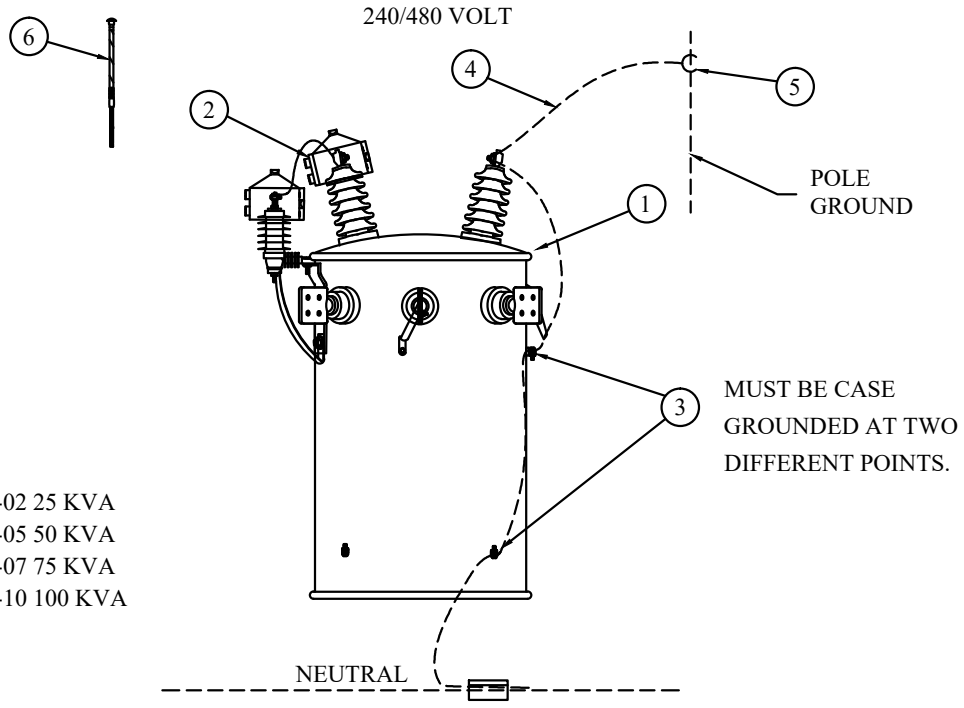


CU-REF	CU-ID	CU-DESCRIPTION
13151001	XFMROH120/240-10KVA	XFMR OH 120/240 10 KVA
13151002	XFMROH120/240-25KVA	XFMR OH 120/240 25 KVA
13151003	XFMROH120/240-50KVA	XFMR OH 120/240 50 KVA
13151004	XFMROH120/240-75KVA	XFMR OH 120/240 75 KVA
13151005	XFMROH120/240-100KVA	XFMR OH 120/240 100 KVA
13151006	XFMROH120/240-167KVA	XFMR OH 120/240 167 KVA

POLE APPARATUS
OVERHEAD (OH) TRANSFORMERS
TRANSFORMER 240/480V

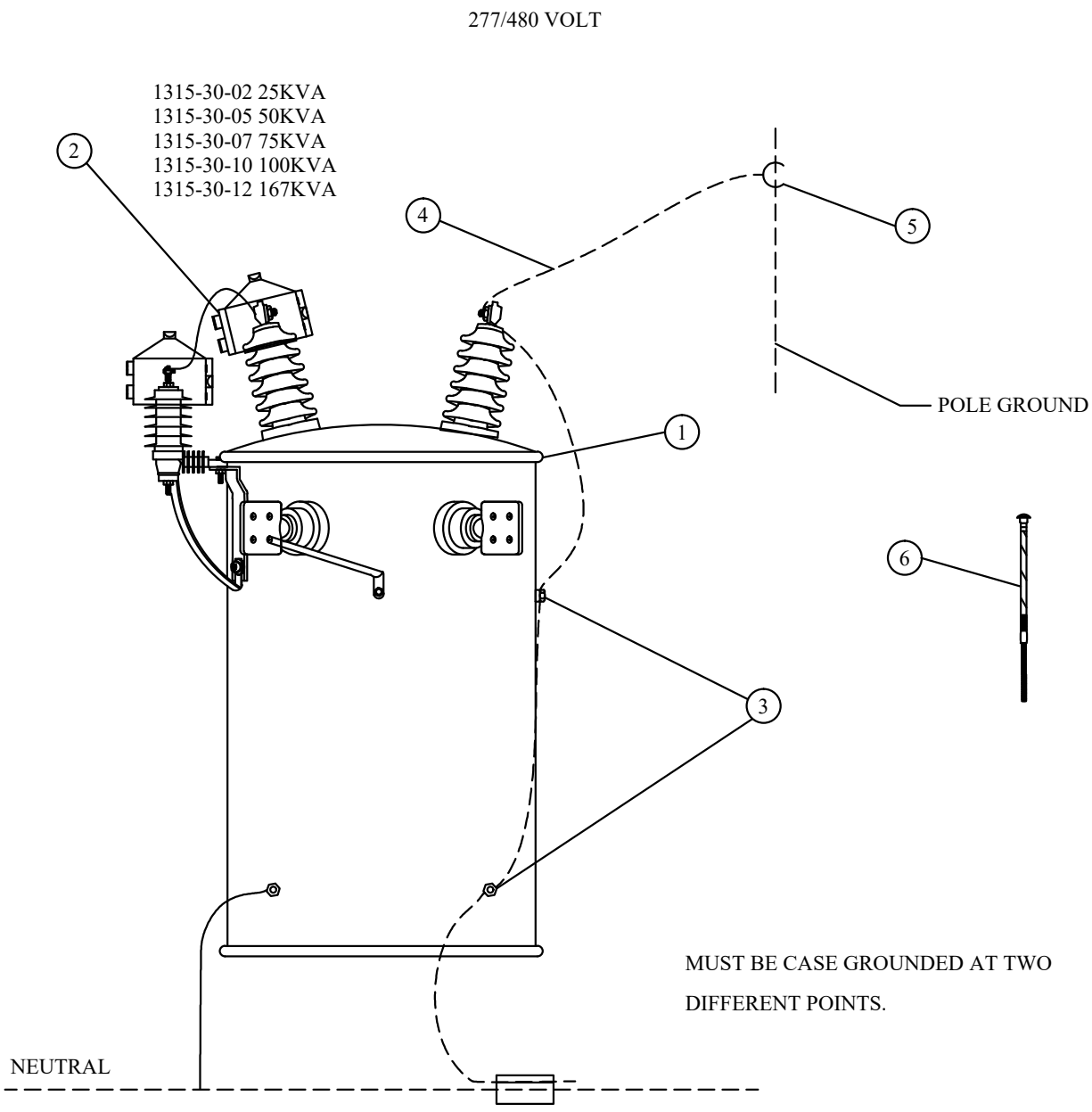
REV_DATE:
04/01/26

1315-20-02 25 KVA
1315-20-05 50 KVA
1315-20-07 75 KVA
1315-20-10 100 KVA



CU-REF	CU-ID	CU-DESCRIPTION
13152002	XFMROH240/480-25KVA	XFMR OH 240/480 25 KVA
13152005	XFMROH240/480-50KVA	XFMR OH 240/480 50 KVA
13152007	XFMROH240/480-75KVA	XFMR OH 240/480 75 KVA
13152010	XFMROH240/480-100KVA	XFMR OH 240/480 100 KVA
13152012	XFMROH240/480-167KVA	XFMR OH 240/480 167 KVA

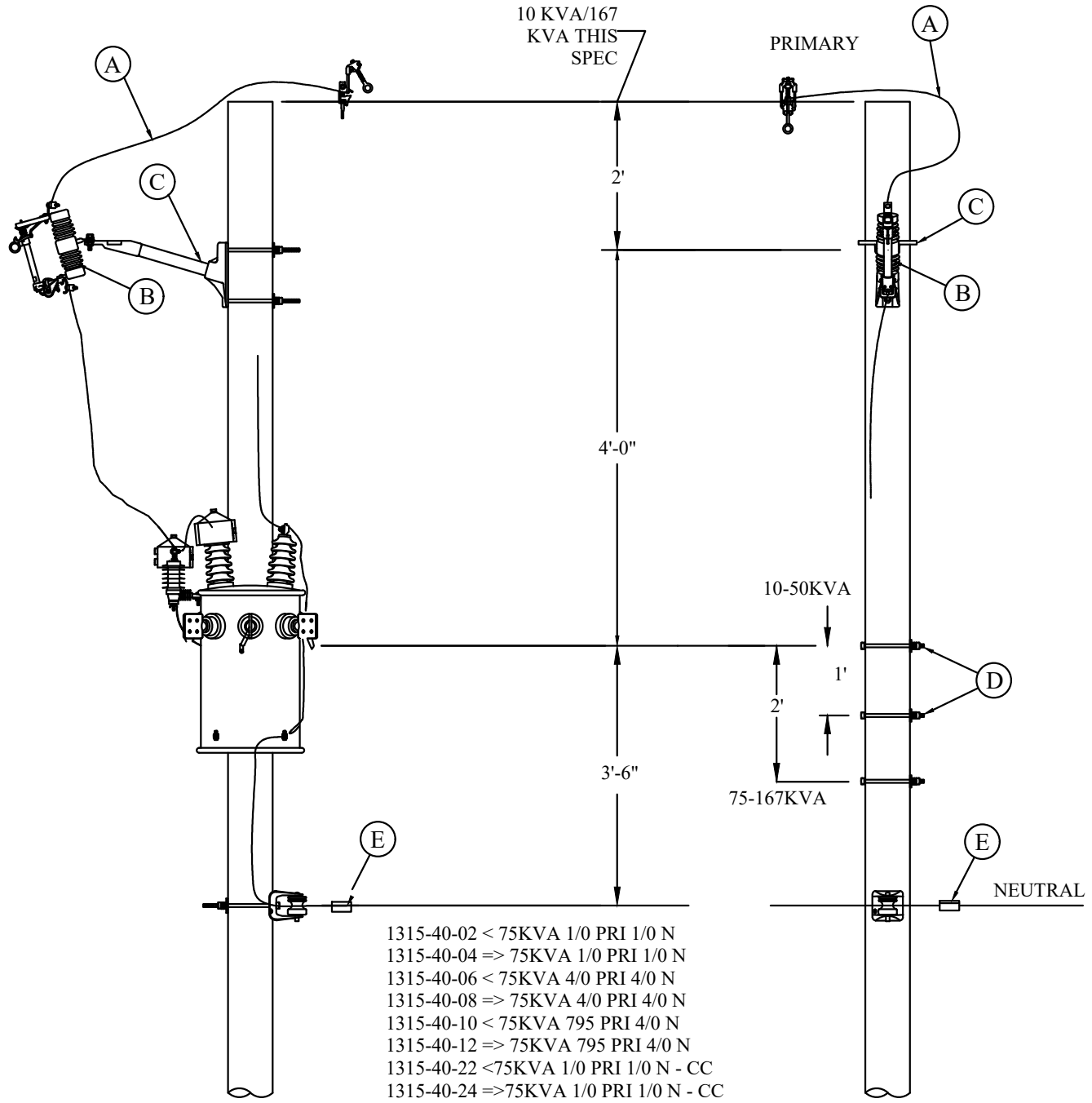
REV_DATE:
04/01/26



CU-REF	CU-ID	CU-DESCRIPTION
13153002	XFMROH277/480-25KVA	XFMR OH 277/480 25 KVA
13153005	XFMROH277/480-50KVA	XFMR OH 277/480 50 KVA
13153007	XFMROH277/480-75KVA	XFMR OH 277/480 75 KVA
13153010	XFMROH277/480-100KVA	XFMR OH 277/480 100 KVA
13153012	XFMROH277/480-167KVA	XFMR OH 277/480 167 KVA

POLE APPARATUS
OVERHEAD (OH) TRANSFORMERS
TRANSFORMER 1PH ASSEMBLY

REV_DATE:
04/01/26

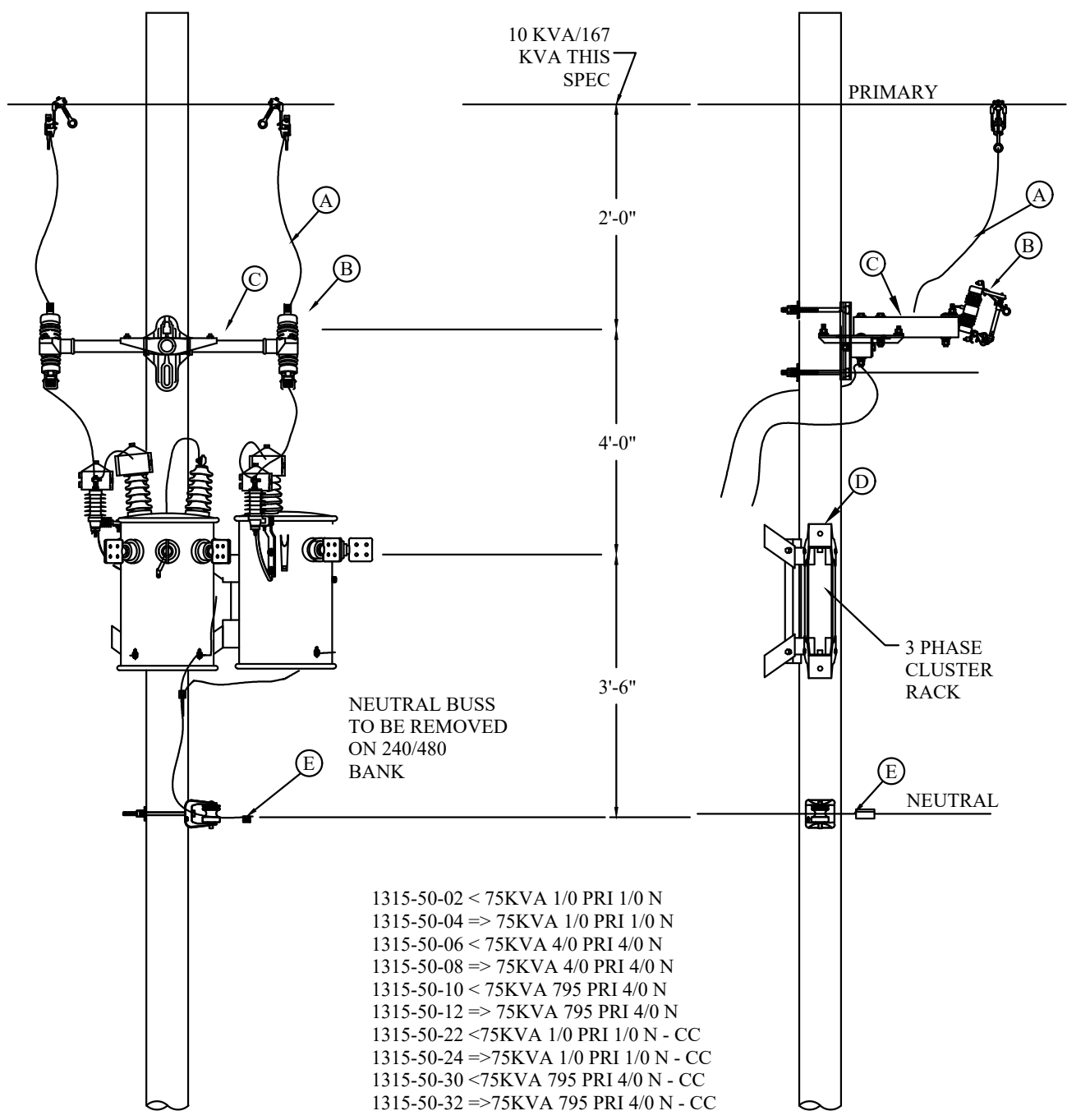


- 1315-40-02 < 75KVA 1/0 PRI 1/0 N
- 1315-40-04 => 75KVA 1/0 PRI 1/0 N
- 1315-40-06 < 75KVA 4/0 PRI 4/0 N
- 1315-40-08 => 75KVA 4/0 PRI 4/0 N
- 1315-40-10 < 75KVA 795 PRI 4/0 N
- 1315-40-12 => 75KVA 795 PRI 4/0 N
- 1315-40-22 <75KVA 1/0 PRI 1/0 N - CC
- 1315-40-24 =>75KVA 1/0 PRI 1/0 N - CC
- 1315-40-30 <75KVA 795 PRI 4/0 N - CC
- 1315-40-32 =>75KVA 795 PRI 4/0 N - CC

SEE 1315 ASSOCIATED MODULES

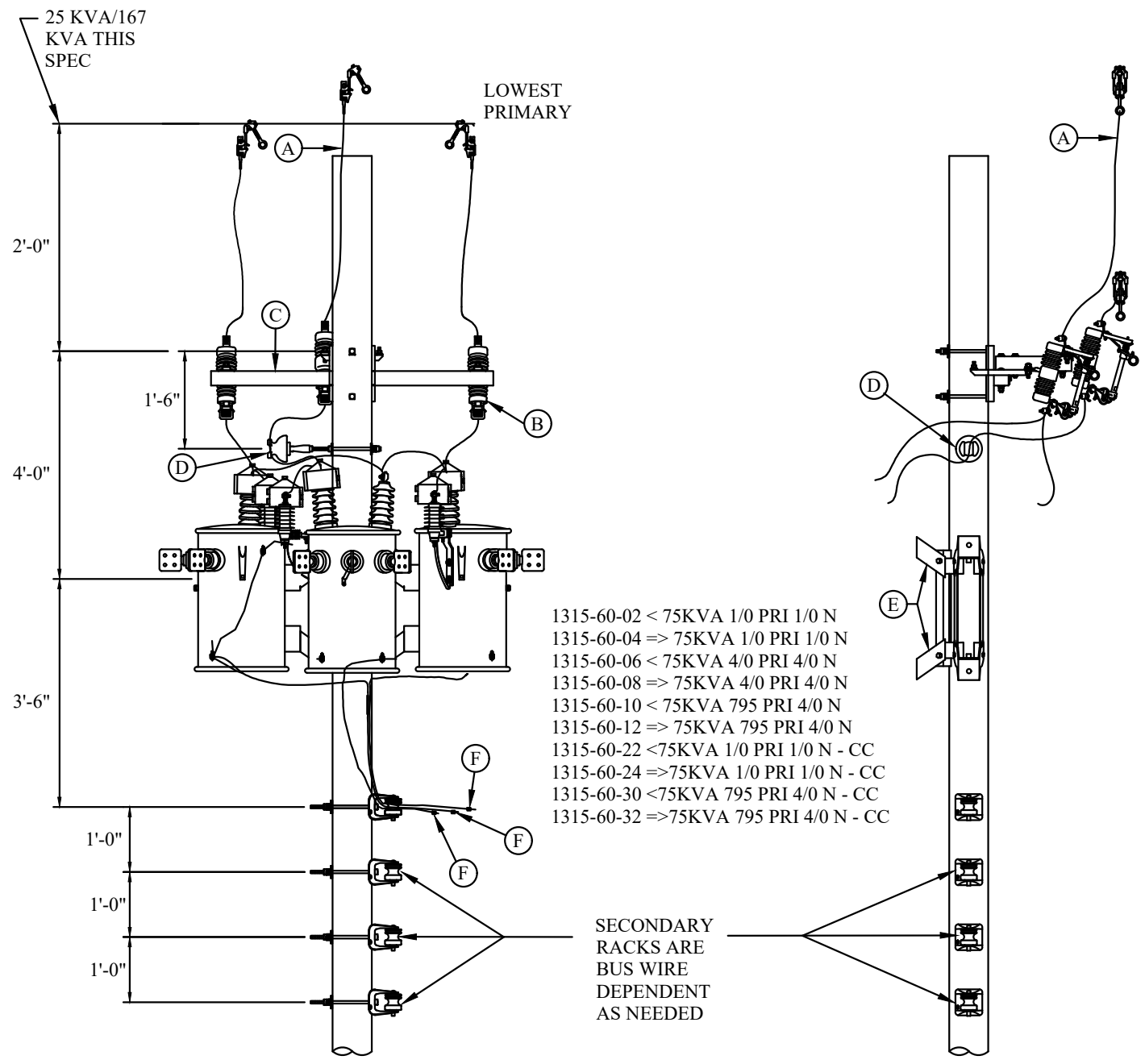
MU-REF	MU-ID	MU-DESCRIPTION
13154002	XFMR1PH<75KVA1/0P1/0N	XFMR 1PH <75KVA 1/0 PRI 1/0 NEUT
13154004	XFMR1PH=>75KVA1/0P1/0N	XFMR 1PH =>75KVA 1/0 PRI 1/0 NEUT
13154006	XFMR1PH<75KVA4/0P4/0N	XFMR 1PH <75KVA 4/0 PRI 4/0 NEUT
13154008	XFMR1PH=>75KVA4/0P4/0N	XFMR 1PH =>75KVA 4/0 PRI 4/0 NEUT
13154010	XFMR1PH<75KVA795P4/0N	XFMR 1PH <75KVA 795 PRI 4/0 NEUT
13154012	XFMR1PH=>75KVA795P4/0N	XFMR 1PH =>75KVA 795 PRI 4/0 NEUT
13154022	XFMR1PH<75KVA1/0P1/0N-CC	XFMR 1PH <75KVA 1/0 PRI 1/0 NEUT - CC
13154024	XFMR1PH=>75KVA1/0P1/0N-CC	XFMR 1PH =>75KVA 1/0 PRI 1/0 NEUT - CC
13154030	XFMR1PH<75KVA795P4/0N-CC	XFMR 1PH <75KVA 795 PRI 4/0 NEUT - CC
13154032	XFMR1PH=>75KVA795P4/0N-CC	XFMR 1PH =>75KVA 795 PRI 4/0 NEUT - CC

POLE APPARATUS
 OVERHEAD (OH) TRANSFORMERS
TRANSFORMER OPEN DELTA ASSEMBLY



SEE 1315 ASSOCIATED MODULES

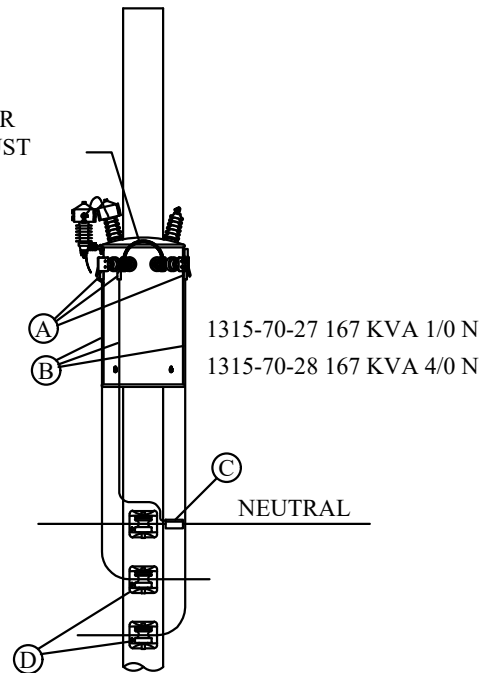
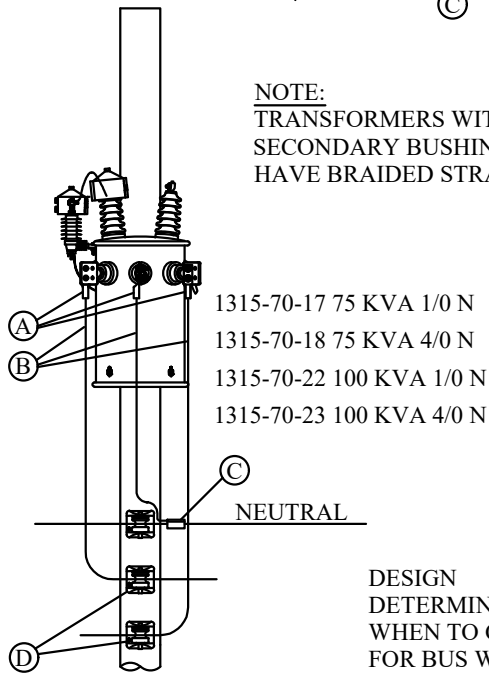
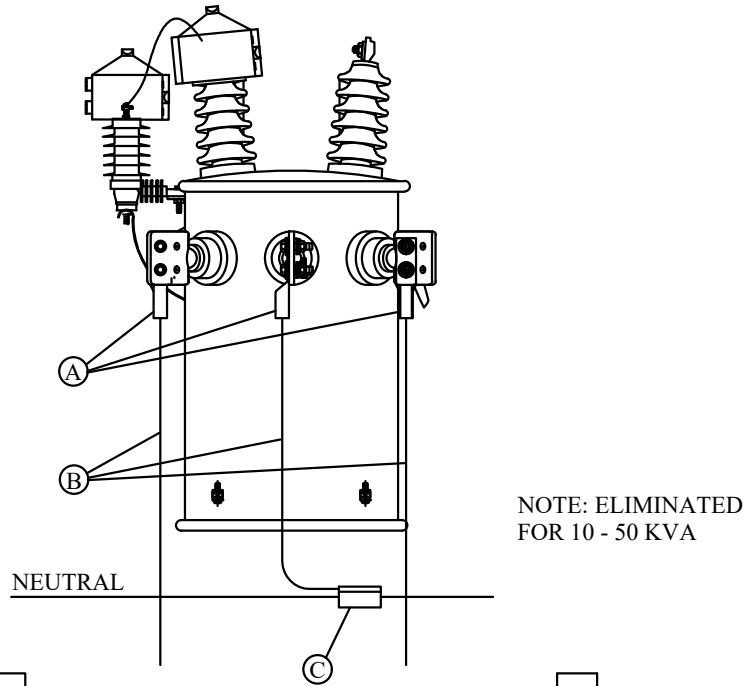
MU-REF	MU-ID	MU-DESCRIPTION
13155002	XFMR2PH<75KVA1/0P1/0N	XFMR 2PH <75KVA 1/0 PRI 1/0 NEUT
13155004	XFMR2PH=>75KVA1/0P1/0N	XFMR 2PH =>75KVA 1/0 PRI 1/0 NEUT
13155006	XFMR2PH<75KVA4/0P4/0N	XFMR 2PH <75KVA 4/0 PRI 4/0 NEUT
13155008	XFMR2PH=>75KVA4/0P4/0N	XFMR 2PH =>75KVA 4/0 PRI 4/0 NEUT
13155010	XFMR2PH<75KVA795P4/0N	XFMR 2PH <75KVA 795 PRI 4/0 NEUT
13155012	XFMR2PH=>75KVA795P4/0N	XFMR 2PH =>75KVA 795 PRI 4/0 NEUT
13155022	XFMR2PH<75KVA1/0P1/0N-CC	XFMR 2PH <75KVA 1/0 PRI 1/0 NEUT - CC
13155024	XFMR2PH=>75KVA1/0P1/0N-CC	XFMR 2PH =>75KVA 1/0 PRI 1/0 NEUT - CC
13155030	XFMR2PH<75KVA795P4/0N-CC	XFMR 2PH <75KVA 795 PRI 4/0 NEUT - CC
13155032	XFMR2PH=>75KVA795P4/0N-CC	XFMR 2PH =>75KVA 795 PRI 4/0 NEUT - CC



SEE 1315 ASSOCIATED MODULES

MU-REF	MU-ID	MU-DESCRIPTION
13156002	XFMR3PH<75KVA1/0P1/0N	XFMR 3PH <75KVA 1/0 PRI 1/0 NEUT
13156004	XFMR3PH=>75KVA1/0P1/0N	XFMR 3PH =>75KVA 1/0 PRI 1/0 NEUT
13156006	XFMR3PH<75KVA4/0P4/0N	XFMR 3PH <75KVA 4/0 PRI 4/0 NEUT
13156008	XFMR3PH=>75KVA4/0P4/0N	XFMR 3PH =>75KVA 4/0 PRI 4/0 NEUT
13156010	XFMR3PH<75KVA795P4/0N	XFMR 3PH <75KVA 795 PRI 4/0 NEUT
13156012	XFMR3PH=>75KVA795P4/0N	XFMR 3PH =>75KVA 795 PRI 4/0 NEUT
13156022	XFMR3PH<75KVA1/0P1/0N-CC	XFMR 3PH <75KVA 1/0 PRI 1/0 NEUT - CC
13156024	XFMR3PH=>75KVA1/0P1/0N-CC	XFMR 3PH =>75KVA 1/0 PRI 1/0 NEUT - CC
13156030	XFMR3PH<75KVA795P4/0N-CC	XFMR 3PH <75KVA 795 PRI 4/0 NEUT - CC
13156032	XFMR3PH=>75KVA795P4/0N-CC	XFMR 3PH =>75KVA 795 PRI 4/0 NEUT - CC

POLE APPARATUS
OVERHEAD (OH) TRANSFORMERS
BUS WIRE 1PH TRANSFORMER

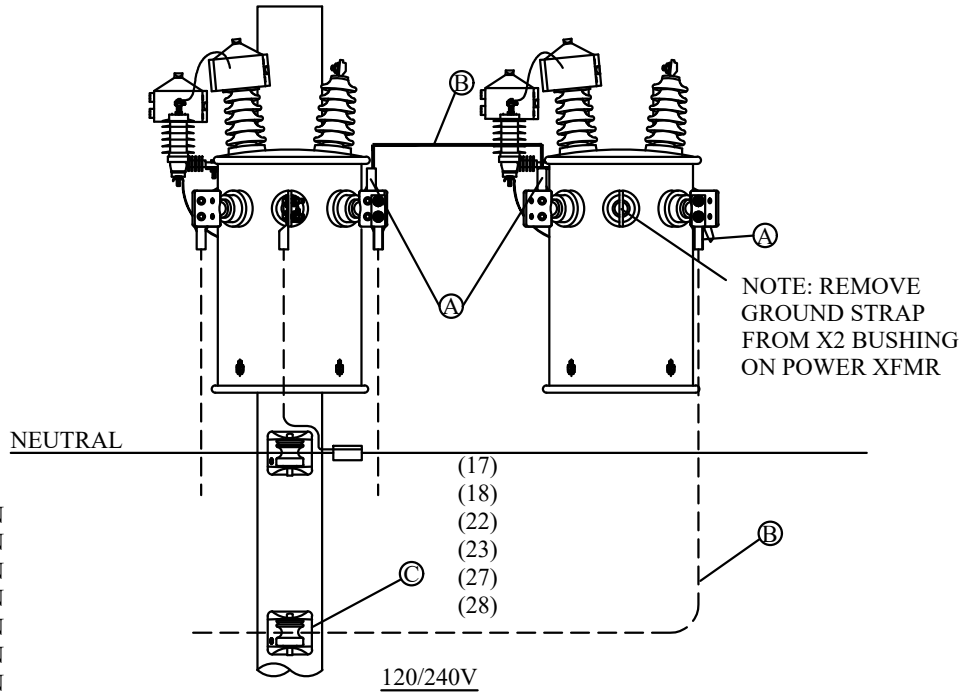


DESIGN DETERMINE WHEN TO CALL FOR BUS WIRE.

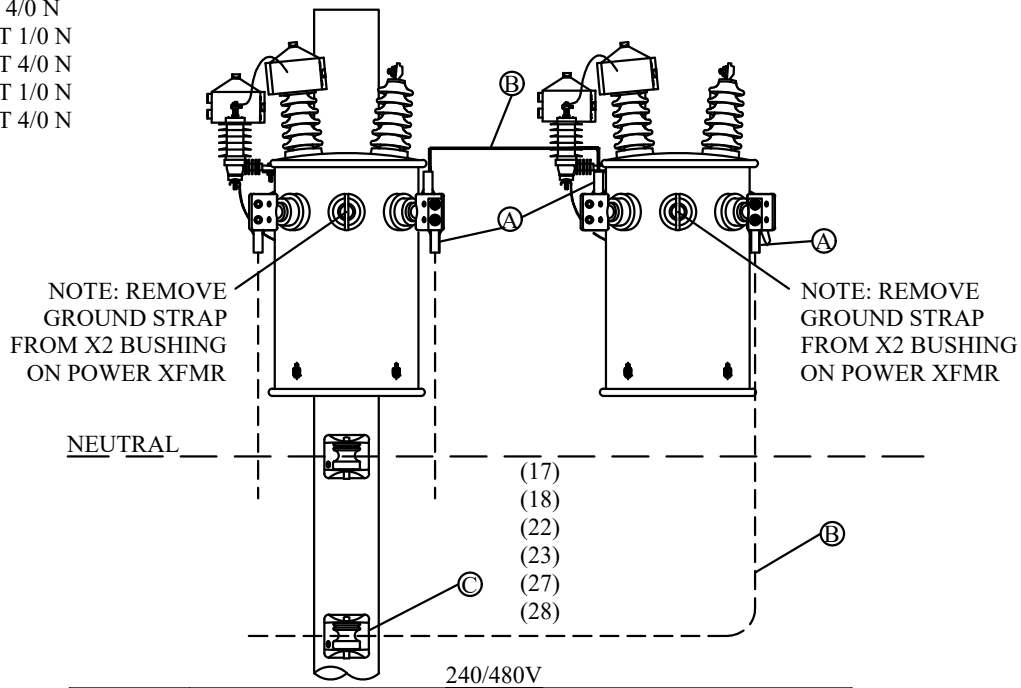
MU-REF	MU-ID	MU-DESCRIPTION
13157002	BUSSWIRE10KVA1/0N	BUSS WIRE 10 KVA 1/0 N
13157003	BUSSWIRE10KVA4/0N	BUSS WIRE 10 KVA 4/0 N
13157007	BUSSWIRE25KVA1/0N	BUSS WIRE 25 KVA 1/0 N
13157008	BUSSWIRE25KVA4/0N	BUSS WIRE 25 KVA 4/0 N
13157012	BUSSWIRE50KVA1/0N	BUSS WIRE 50 KVA 1/0 N
13157013	BUSSWIRE50KVA4/0N	BUSS WIRE 50 KVA 4/0 N
13157017	BUSSWIRE75KVA1/0N	BUSS WIRE 75 KVA 1/0 N
13157018	BUSSWIRE75KVA4/0N	BUSS WIRE 75 KVA 4/0 N
13157022	BUSSWIRE100KVA1/0N	BUSS WIRE 100 KVA 1/0 N
13157023	BUSSWIRE100KVA4/0N	BUSS WIRE 100 KVA 4/0 N
13157027	BUSSWIRE167KVA1/0N	BUSS WIRE 167 KVA 1/0 N
13157028	BUSSWIRE167KVA4/0N	BUSS WIRE 167 KVA 4/0 N

REV_DATE:

04/01/26

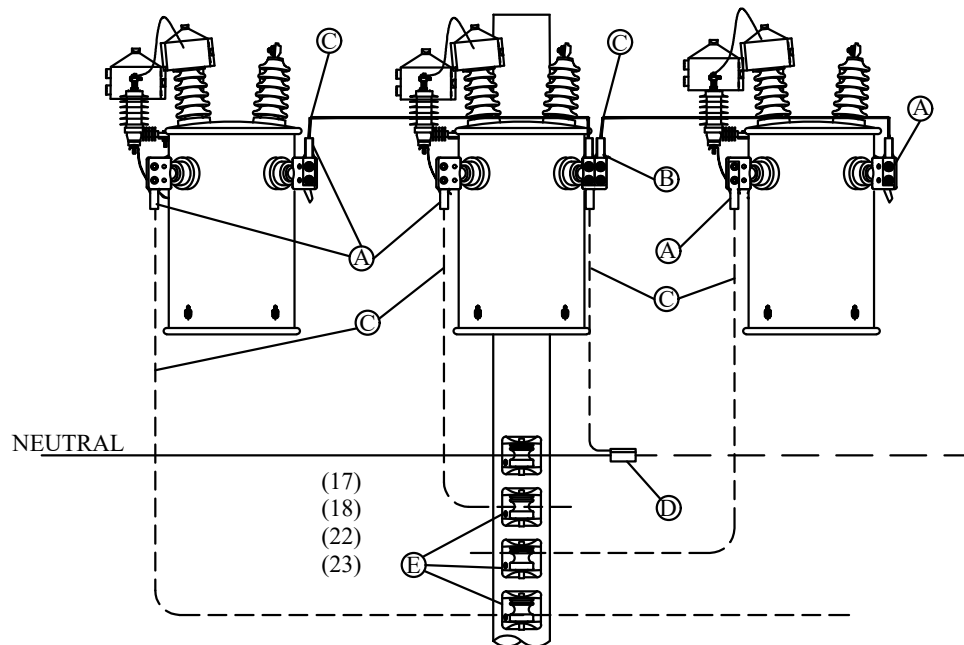
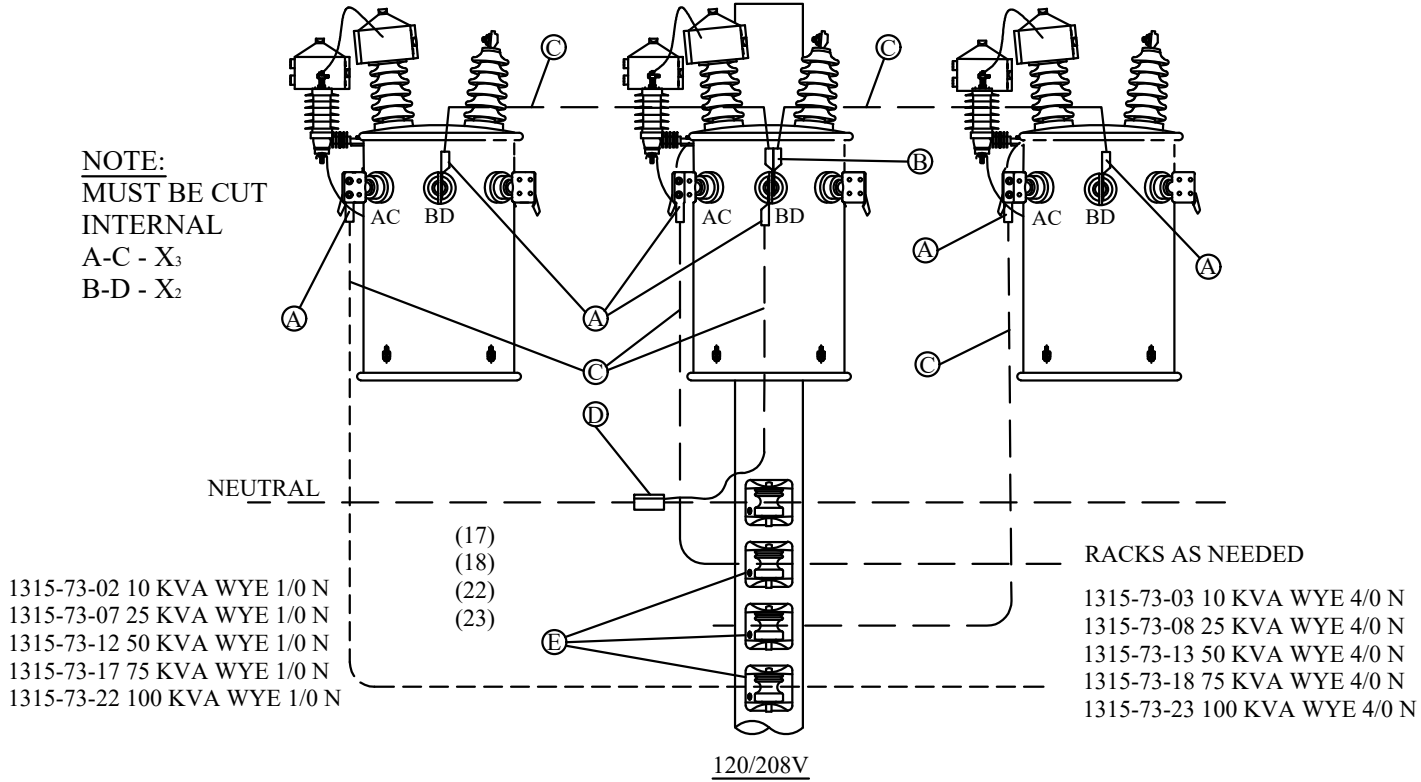


- 1315-72-02 10 KVA PT 1/0 N
- 1315-72-03 10 KVA PT 4/0 N
- 1315-72-07 25 KVA PT 1/0 N
- 1315-72-08 25 KVA PT 4/0 N
- 1315-72-12 50 KVA PT 1/0 N
- 1315-72-13 50 KVA PT 4/0 N
- 1315-72-17 75 KVA PT 1/0 N
- 1315-72-18 75 KVA PT 4/0 N
- 1315-72-22 100 KVA PT 1/0 N
- 1315-72-23 100 KVA PT 4/0 N
- 1315-72-27 167 KVA PT 1/0 N
- 1315-72-28 167 KVA PT 4/0 N



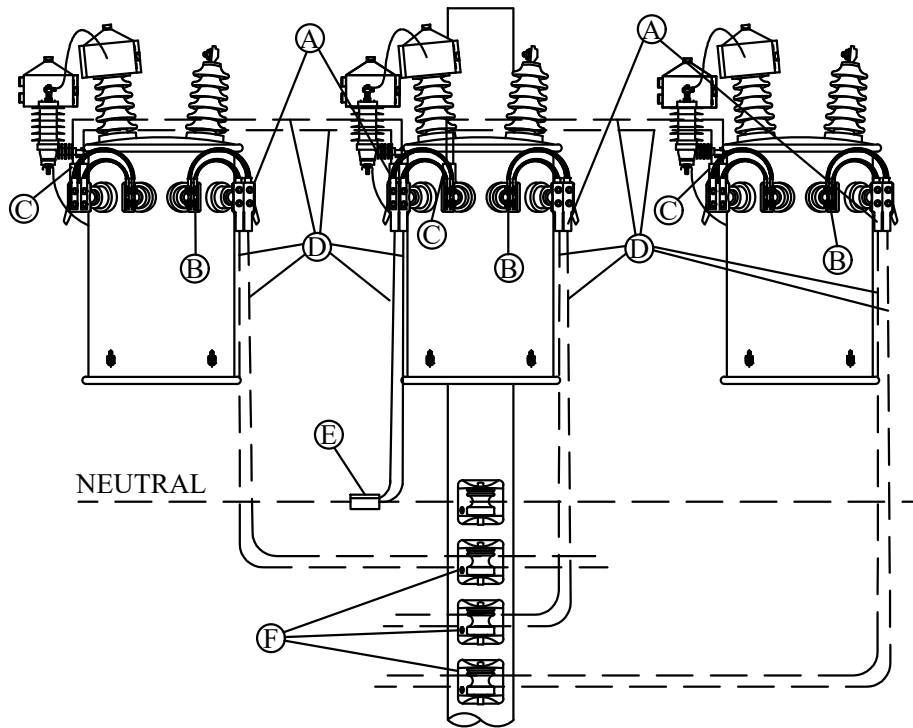
MU-REF	MU-ID	MU-DESCRIPTION
13157202	BUSSWIRE10KVAPT1/0N	BUSS WIRE 10 KVA PT 1/0 N
13157203	BUSSWIRE10KVAPT4/0N	BUSS WIRE 10 KVA PT 4/0 N
13157207	BUSSWIRE25KVAPT1/0N	BUSS WIRE 25 KVA PT 1/0 N
13157208	BUSSWIRE25KVAPT4/0N	BUSS WIRE 25 KVA PT 4/0 N
13157212	BUSSWIRE50KVAPT1/0N	BUSS WIRE 50 KVA PT 1/0 N
13157213	BUSSWIRE50KVAPT4/0N	BUSS WIRE 50 KVA PT 4/0 N
13157217	BUSSWIRE75KVAPT1/0N	BUSS WIRE 75 KVA PT 1/0 N
13157218	BUSSWIRE75KVAPT4/0N	BUSS WIRE 75 KVA PT 4/0 N
13157222	BUSSWIRE100KVAPT1/0N	BUSS WIRE 100 KVA PT 1/0 N
13157223	BUSSWIRE100KVAPT4/0N	BUSS WIRE 100 KVA PT 4/0 N
13157227	BUSSWIRE167KVAPT1/0N	BUSS WIRE 167 KVA PT 1/0 N
13157228	BUSSWIRE167KVAPT4/0N	BUSS WIRE 167 KVA PT 4/0 N

POLE APPARATUS
 OVERHEAD (OH) TRANSFORMERS
 BUS WIRE WYE BANKS 10-100 KVA



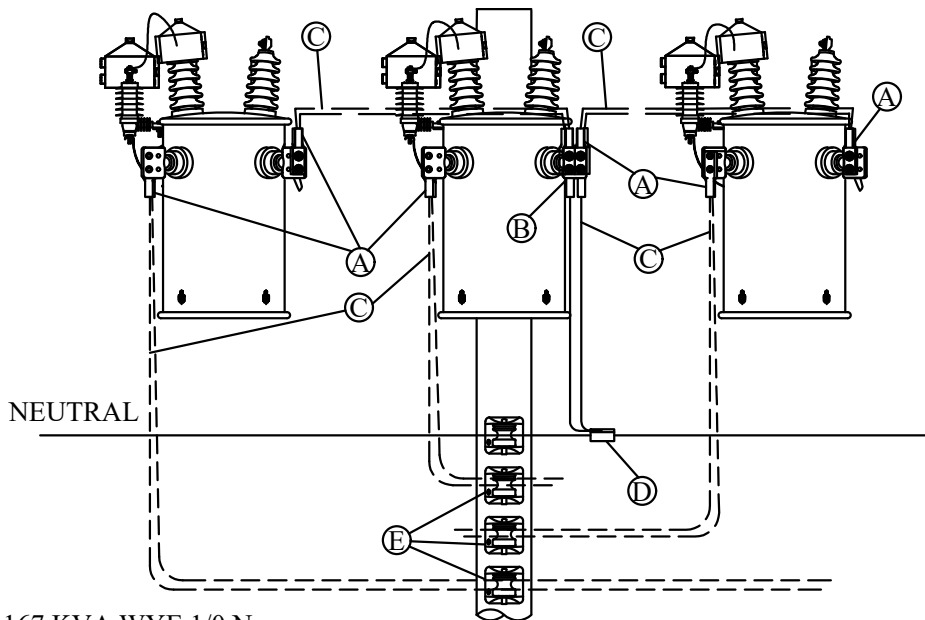
MU-REF	MU-ID	MU-DESCRIPTION
13157302	BUSSWIRE10KVAWYE1/0N	BUSS WIRE 10 KVA WYE 1/0 N
13157303	BUSSWIRE10KVAWYE4/0N	BUSS WIRE 10 KVA WYE 4/0 N
13157307	BUSSWIRE25KVAWYE1/0N	BUSS WIRE 25 KVA WYE 1/0 N
13157308	BUSSWIRE25KVAWYE4/0N	BUSS WIRE 25 KVA WYE 4/0 N
13157312	BUSSWIRE50KVAWYE1/0N	BUSS WIRE 50 KVA WYE 1/0 N
13157313	BUSSWIRE50KVAWYE4/0N	BUSS WIRE 50 KVA WYE 4/0 N
13157317	BUSSWIRE75KVAWYE1/0N	BUSS WIRE 75 KVA WYE 1/0 N
13157318	BUSSWIRE75KVAWYE4/0N	BUSS WIRE 75 KVA WYE 4/0 N
13157322	BUSSWIRE100KVAWYE1/0N	BUSS WIRE 100 KVA WYE 1/0 N
13157323	BUSSWIRE100KVAWYE4/0N	BUSS WIRE 100 KVA WYE 4/0 N

POLE APPARATUS
 OVERHEAD (OH) TRANSFORMERS
 BUS WIRE WYE BANKS 167KVA



1315-73-31 167 KVA WYE 1/0 N
 1315-73-32 167 KVA WYE 4/0 N

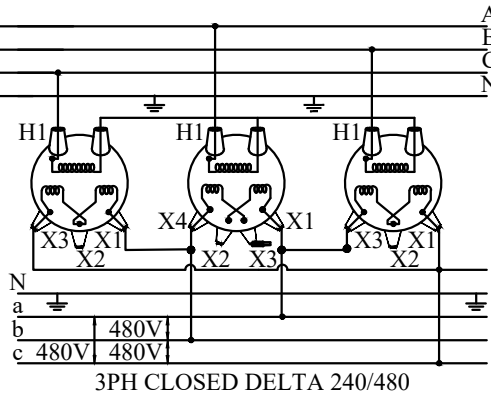
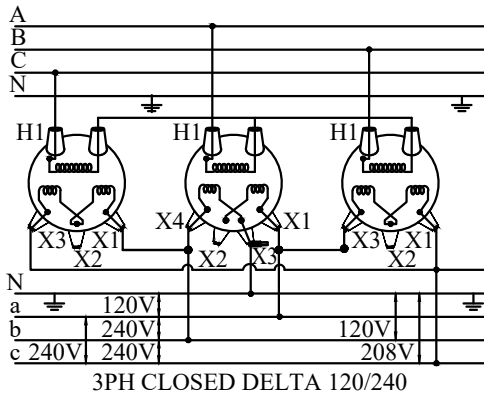
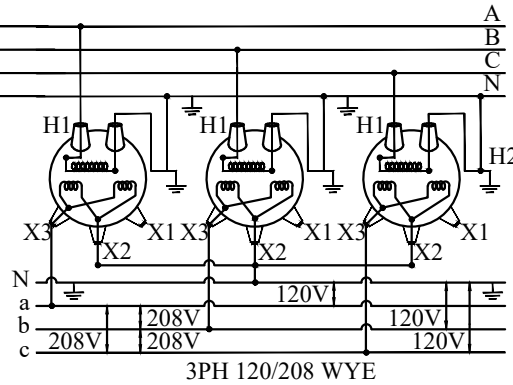
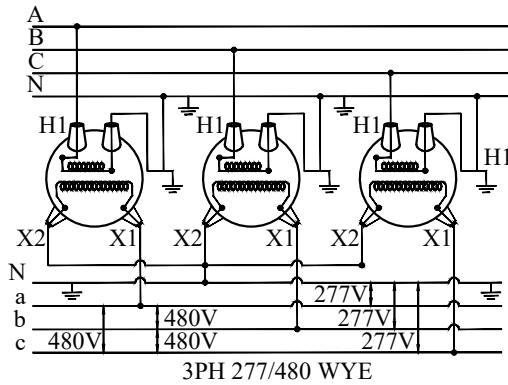
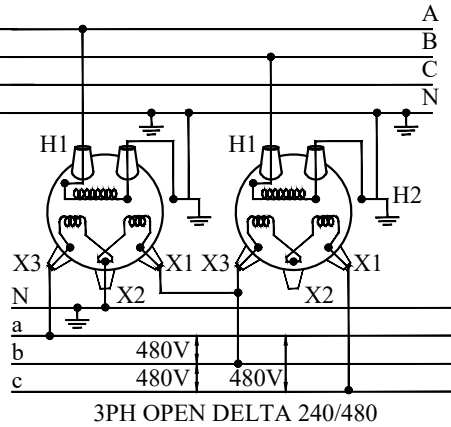
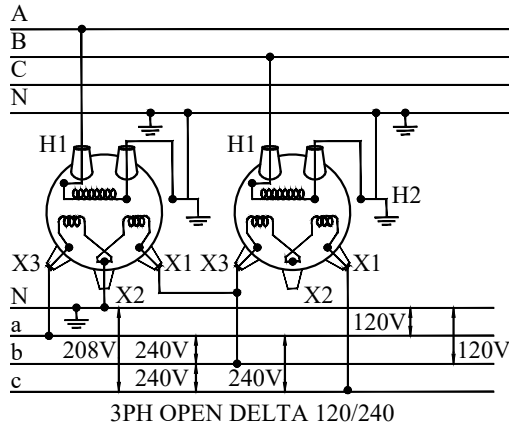
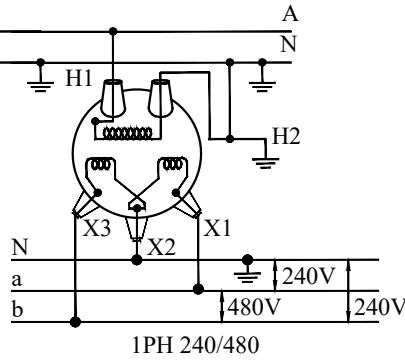
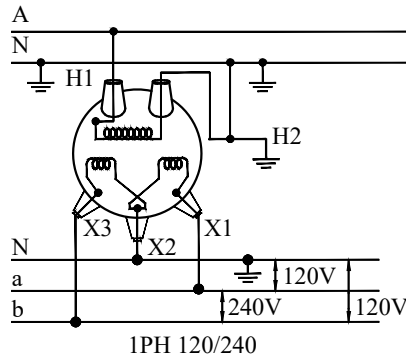
120/208V



1315-73-33 167 KVA WYE 1/0 N
 1315-73-34 167 KVA WYE 4/0 N

277/480V

MU-REF	MU-ID	MU-DESCRIPTION
13157331	BUSSWIRE167KVAWYE1201/0N	BUSS WIRE 167 KVA WYE 120/208 1/0 N
13157332	BUSSWIRE167KVAWYE1204/0N	BUSS WIRE 167 KVA WYE 120/208 4/0 N
13157333	BUSSWIRE167KVAWYE2771/0N	BUSS WIRE 167 KVA WYE 277/480 1/0 N
13157334	BUSSWIRE167KVAWYE2774/0N	BUSS WIRE 167 KVA WYE 277/480 4/0 N



NOTE: FLOAT HIGH SIDE NEUTRAL

NOTE: FLOAT HIGH SIDE NEUTRAL