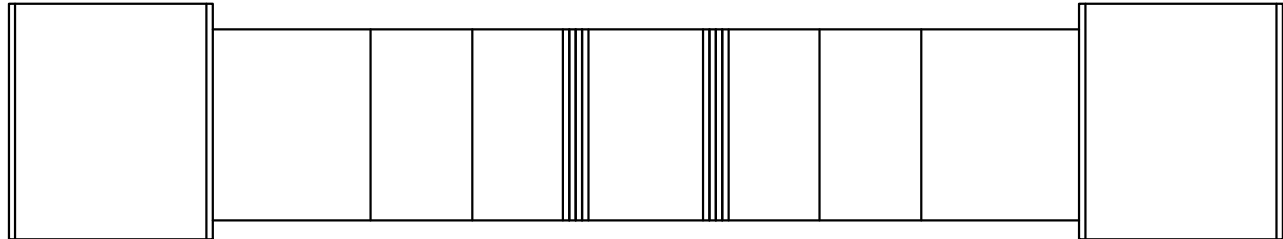


# 1245

## OH AND UG CONNECTORS

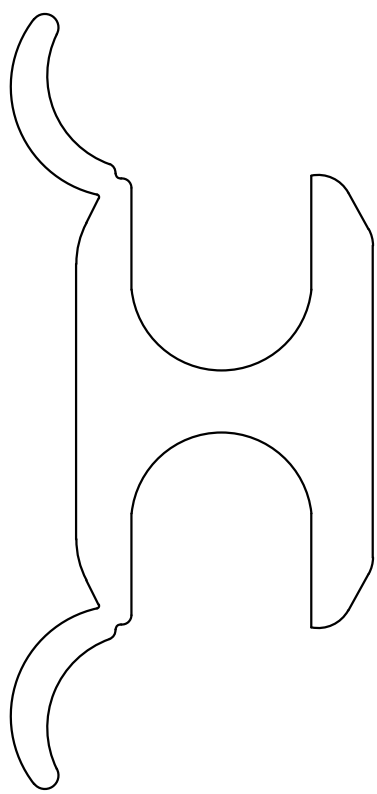
### CONTAINS

- 1245-01 INSULINK CONNECTORS
- 1245-02 H-TAP COMPRESSION
- 1245-03 CONNECTOR PIERCING SEC AND SER
- 1245-04 SPLIT BOLT CONNECTORS
- 1245-05 CONNECTOR 2-BOLT W/SPACER SEC/SERV
- 1245-06 CONNECTOR BOLTED 4-WAY & 6-WAY
- 1245-07 2/1 BOLT CLAMPS
- 1245-08 ONE HOLE COMPRESSION LUG
- 1245-10 TWO HOLE COMPRESSION LUG
- 1245-11 TWO HOLE LUGS W/BOLTS SGL/DBL
- 1245-20 MOLE TAP CU/AL SEC 600V
- 1245-21 CONNECTOR URD SEC 4, 6, AND 8 POSITION
- 1245-25 GROUND CLAMPS AND ARRESTER CONNECTORS



- 1245-01-01 INSULATED CU/AL #4-#8
- 1245-01-02 INSULATED CU/AL #4-#6
- 1245-01-03 INSULATED CU/AL #4-#4
- 1245-01-04 INSULATED CU/AL #4-#2
- 1245-01-05 INSULATED CU/AL #4-1/0
- 1245-01-06 INSULATED CU/AL #2-1/0
- 1245-01-07 INSULATED CU/AL 1/0-1/0
- 1245-01-08 INSULATED CU/AL 1/0-4/0
- 1245-01-11 CU/AL 1/0-2/0
- 1245-01-12 CU/AL 1/0-3/0
- 1245-01-13 CU/AL 1/0-4/0
- 1245-01-14 CU/AL 4/0-4/0
- 1245-01-15 INSULATED CU/AL 4/0-4/0
- 1245-01-20 COVER 4 INCH

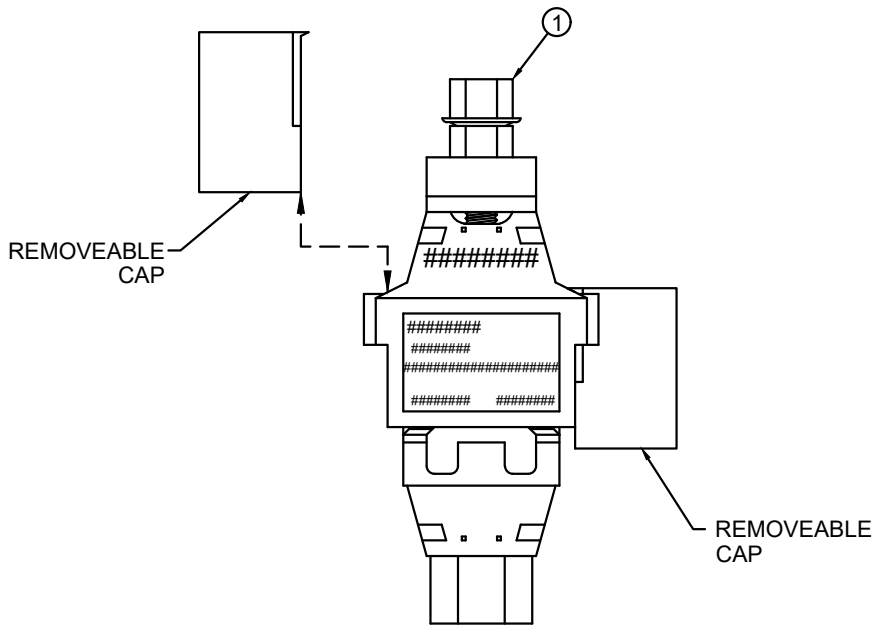
CU-REF	CU-ID	CU-DESCRIPTION
12450101	LINKETINSCU/AL4-8	LINKET INSUL CU/AL #4-#8
12450102	LINKETINSCU/AL4-6	LINKET INSUL CU/AL #4-#6
12450103	LINKETINSCU/AL4-4	LINKET INSUL CU/AL #4-#4
12450104	LINKETINSCU/AL4-2	LINKET INSUL CU/AL #4-#2
12450105	LINKETINSCU/AL4-1/0	LINKET INSUL CU/AL #4-1/0
12450106	LINKETINSCU/AL2-1/0	LINKET INSUL CU/AL #2-1/0
12450107	LINKETINSCU/AL1/0-1/0	LINKET INSUL CU/AL 1/0-1/0
12450108	LINKETINSCU/AL1/0-4/0	LINKET INSUL CU/AL 1/0-4/0
12450111	LINKETCU/AL1/0-2/0	LINKET CU/AL 1/0-2/0
12450112	LINKETCU/AL1/0-3/0	LINKET CU/AL 1/0-3/0
12450113	LINKETCU/AL1/0-4/0	LINKET CU/AL 1/0-4/0
12450114	LINKETCU/AL4/0-4/0	LINKET CU/AL 4/0-4/0
12450115	LINKETINSCU/AL4/0-4/0	LINKET INSUL CU/AL 4/0 - 4/0
12450120	LINKETCOVER	LINKET COVER 4-IN



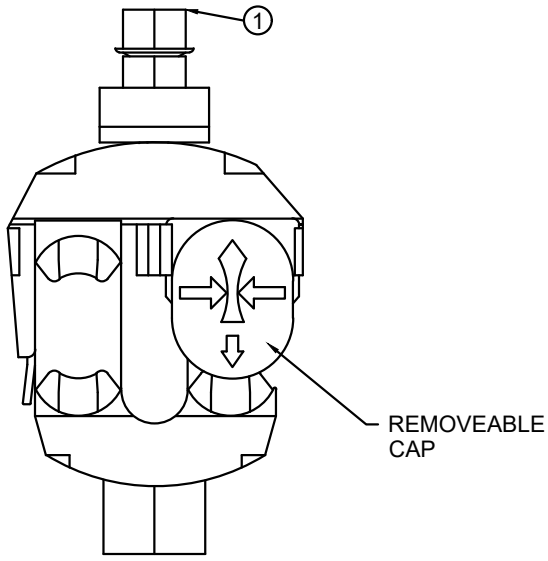

- 1245-02-01 H-TAP CU/AL #6-#6
- 1245-02-02 H-TAP CU/AL 1/0-#6
- 1245-02-03 H-TAP CU/AL 1/0-#12
- 1245-02-04 H-TAP CU/AL 1/0-1/0
- 1245-02-05 H-TAP CU/AL 4/0-#6
- 1245-02-06 H-TAP CU/AL 4/0-1/0
- 1245-02-07 H-TAP CU/AL 4/0-4/0

CU-REF	CU-ID	CU-DESCRIPTION
12450201	H-TAPCU/AL6-6	H-TAP CU/AL #6- #6
12450202	H-TAPCU/AL1/0-6	H-TAP CU/AL 1/0- #6
12450203	H-TAPCU/AL1/0-12	H-TAP CU/AL 1/0- #12
12450204	H-TAPCU/AL1/0-1/0	H-TAP CU/AL 1/0- 1/0
12450205	H-TAPCU/AL4/0-6	H-TAP CU/AL 4/0- #6
12450206	H-TAPCU/AL4/0-1/0	H-TAP CU/AL 4/0- 1/0
12450207	H-TAPCU/AL4/0-4/0	H-TAP CU/AL 4/0- 4/0

REV\_DATE:  
04/01/26



**FRONT VIEW**



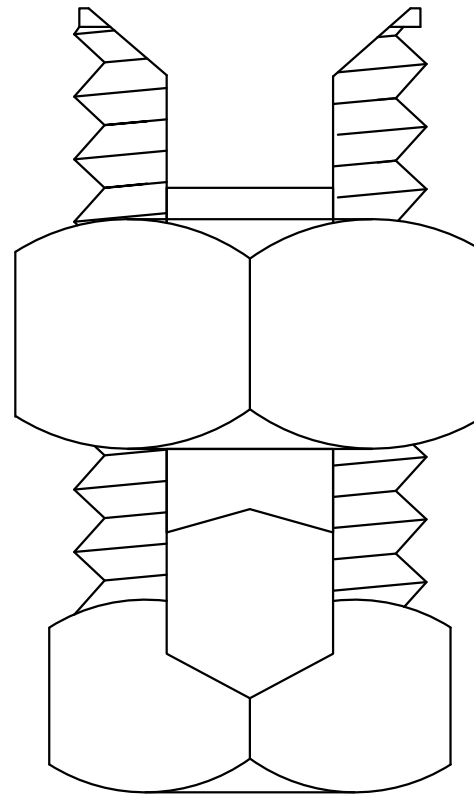
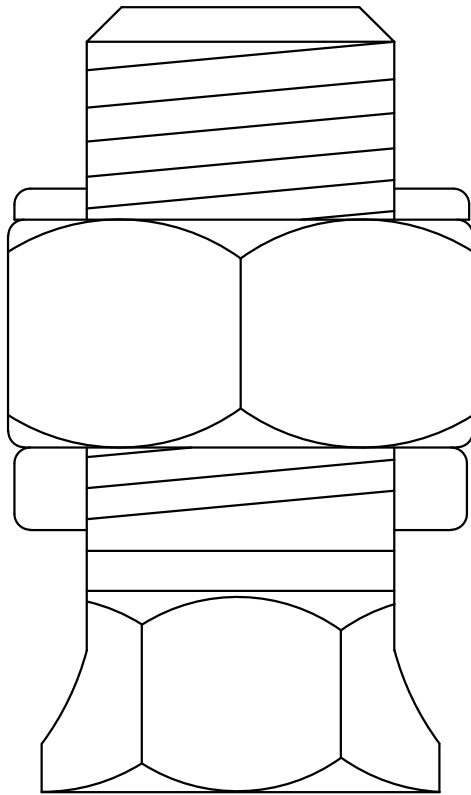
**SIDE VIEW**

1245-03-21 SEC 1/0-#8 TO #2-#10  
1245-03-23 4/0-#2 TO 4/0-#4

**NOTES:**

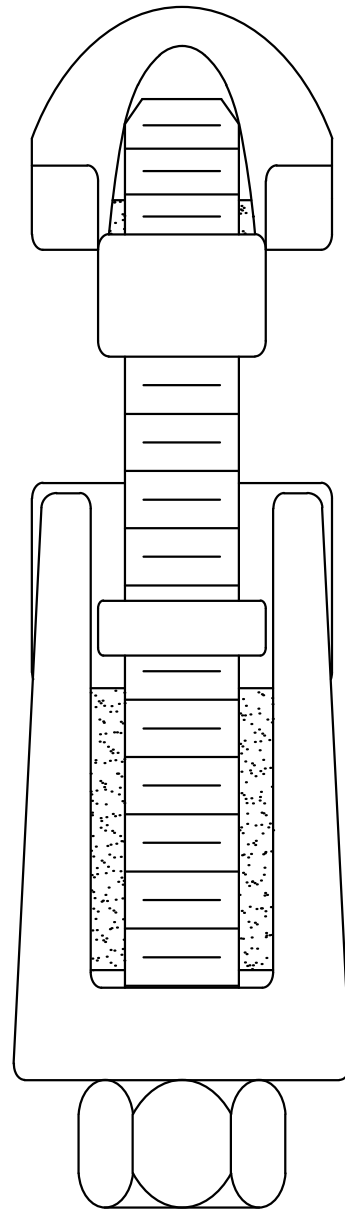
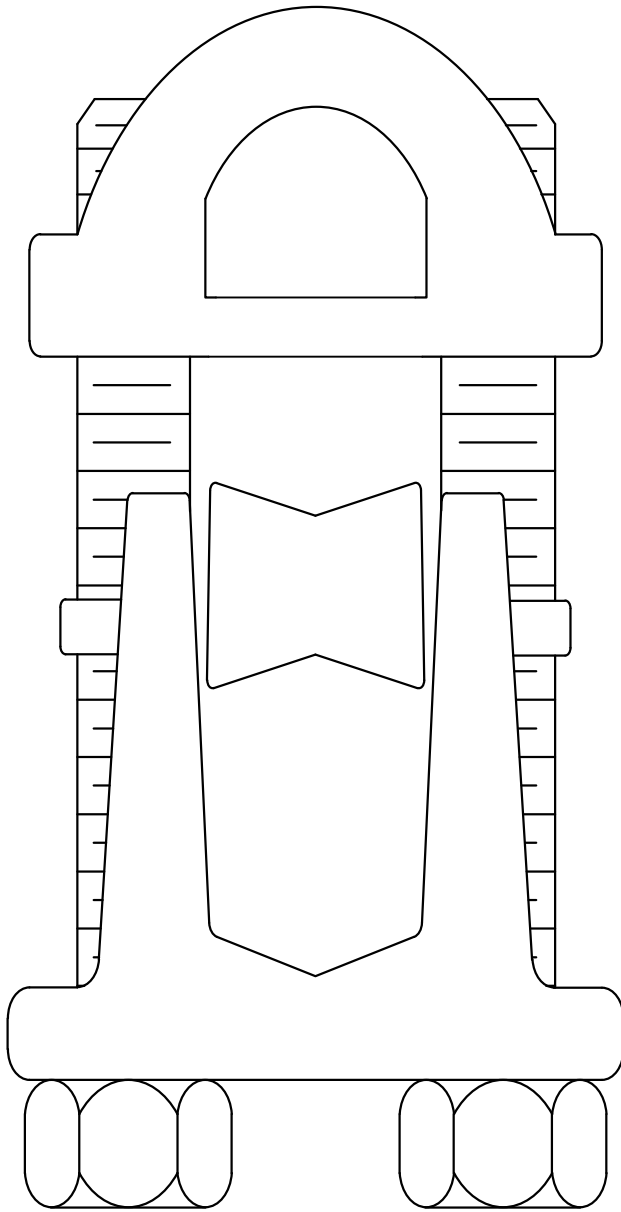
1. DO NOT REMOVE THE INSULATION FROM THE CABLES BEFORE INSTALLING THESE CONNECTORS.
2. ENSURE PROPER SIZE CONNECTORS ARE USED FOR THE PARTICULAR CONDUCTOR COMBINATIONS. SIZE AND APPLICATION INFORMATION ARE STAMPED ON THE CONNECTOR.
3. NEVER USE AN IMPACT WRENCH TO INSTALL THESE CONNECTORS. ALWAYS USE A RATCHET AND SOCKET. TIGHTEN UNTIL THE OUTER NUT BREAKS OFF.
4. CONSTRUCTION USES PIERCING CONNECTORS FOR TEMP SERVICE. METERING USES FOR HOT SERVICES FOR CT METERING CABLES AND HOT CONNECTS FOR ROUTERS.

CU-REF	CU-ID	CU-DESCRIPTION
12450321	CNINSPRC1/0-8-2-10	CONN INSUL PIERCE 1/0- #8 TO #2- #10
12450323	CNINSPRC4/0-2-4/0-4	CONN INSUL PIERCE 4/0- #2 TO 4/0- #4



- 1245-04-10 #8
- 1245-04-11 #6
- 1245-04-12 #4
- 1245-04-13 #2
- 1245-04-15 3/0

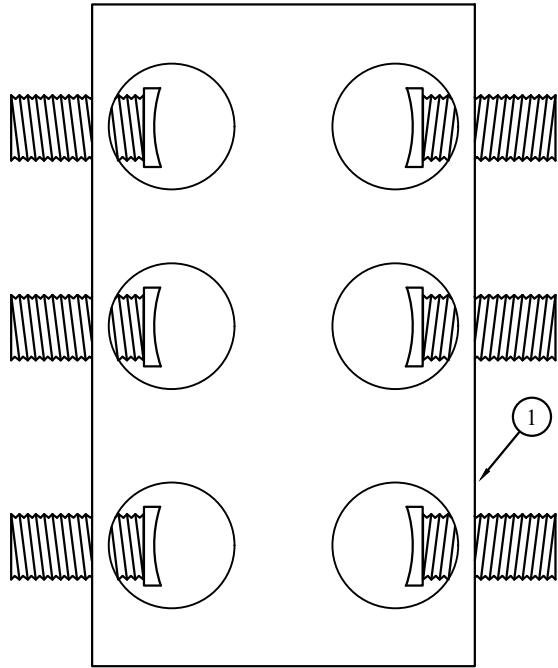
CU-REF	CU-ID	CU-DESCRIPTION
12450410	CNSPBL8CU	CONN SPLIT BOLT 8 SOLID CU
12450411	CNSPBL6CU	CONN SPLIT BOLT 6 SOLID CU
12450412	CNSPBL4CU	CONN SPLIT BOLT 4 SOLID CU
12450413	CNSPBL2CU	CONN SPLIT BOLT 2 STRD CU
12450415	CNSPBL3/0CU	CONN SPLIT BOLT 3/0 STRD CU



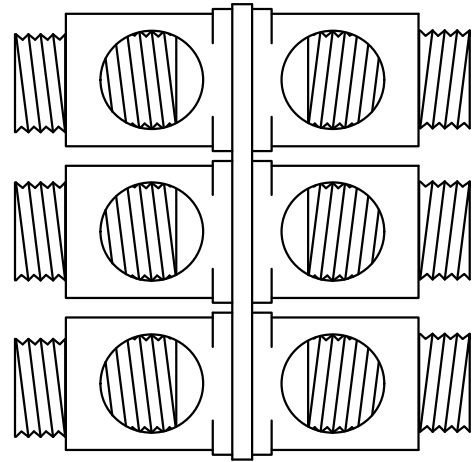
CU-REF	CU-ID	CU-DESCRIPTION
12450501	CLP2BCAD350	CLAMP 2 BOLT CAD 350
12450502	CLP2BCAD500	CLAMP 2 BOLT CAD 500
12450503	CLP2BCAD750	CLAMP 2 BOLT CAD 750
12450504	CLP2BCAD1000	CLAMP 2 BOLT CAD 1000
12450531	CLP2BCU2/0	CLAMP 2 BOLT CU 2/0
12450532	CLP2BCU4/0	CLAMP 2 BOLT CU 4/0
12450533	CLP2BCU350	CLAMP 2 BOLT CU 350
12450534	CLP2BCU500	CLAMP 2 BOLT CU 500
12450535	CLP2BCU750	CLAMP 2 BOLT CU 750
12450536	CLP2BCU1K	CLAMP 2 BOLT CU 1000

REV\_DATE:

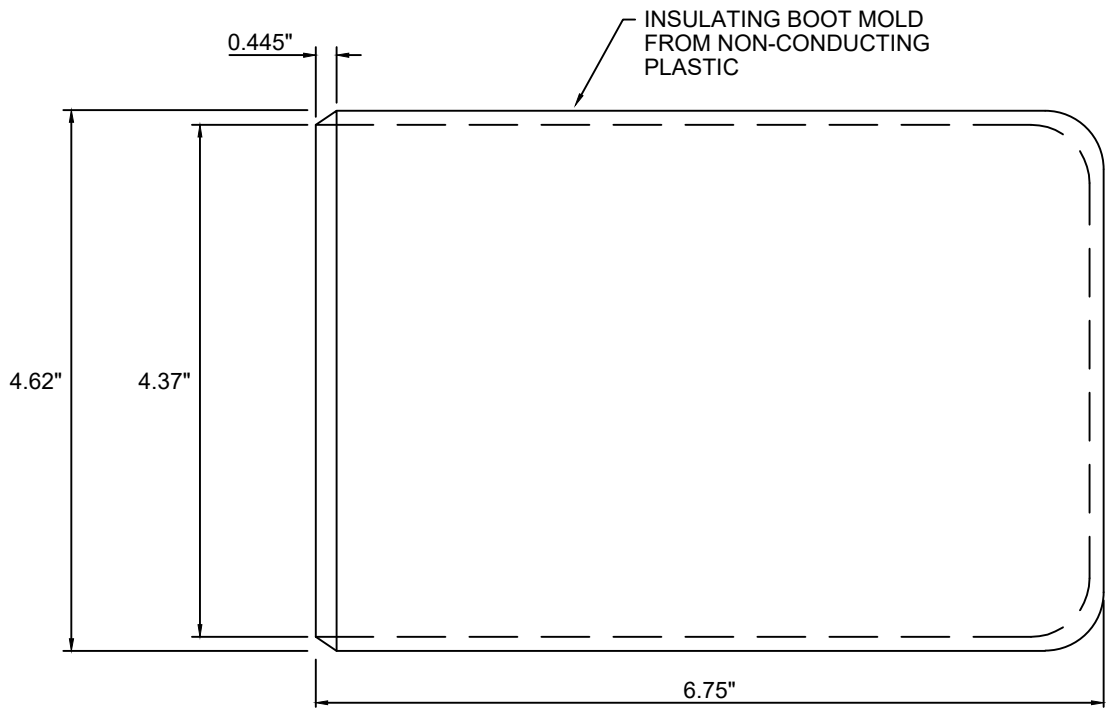
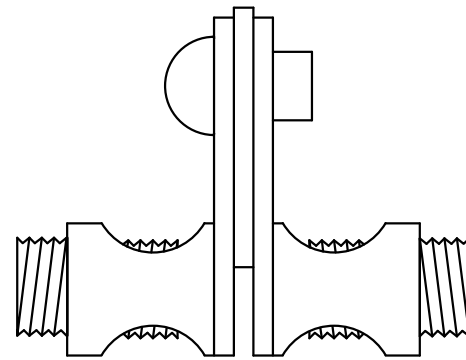
04/01/26



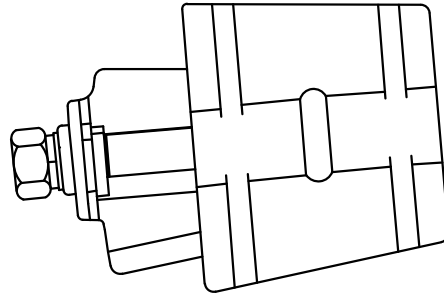
2085-45-41 6-WAY 500 W/BOOT



2085-45-81 6-WAY 250 W/BOOT

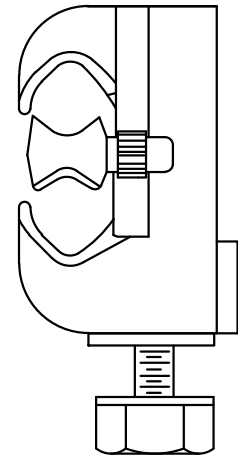
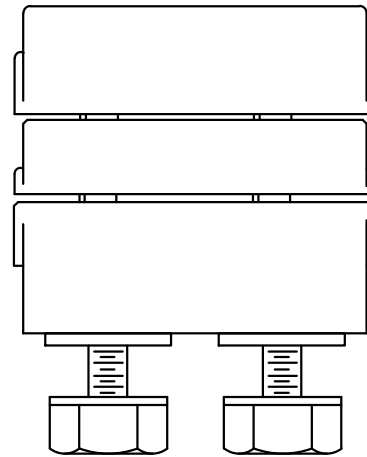
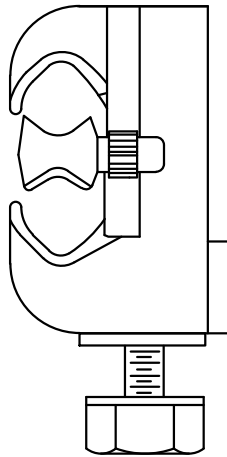
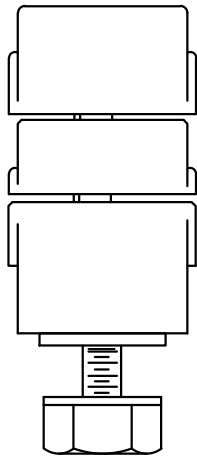


CU-REF	CU-ID	CU-DESCRIPTION
12450601	CN4WAY500BT	CON 4WAY 500 MCM W/BOOT
12450641	CN6WAY500BT	CON 6WAY 500 MCM W/BOOT
12450681	CN6WAY250BT	CON 6WAY 250 MCM W/BOOT



NOTE: ONLY USE ON  
IN-LINE  
DISCONNECT

1245-07-73 CLAMP 2 BOLT WEDGE 795-3/4"



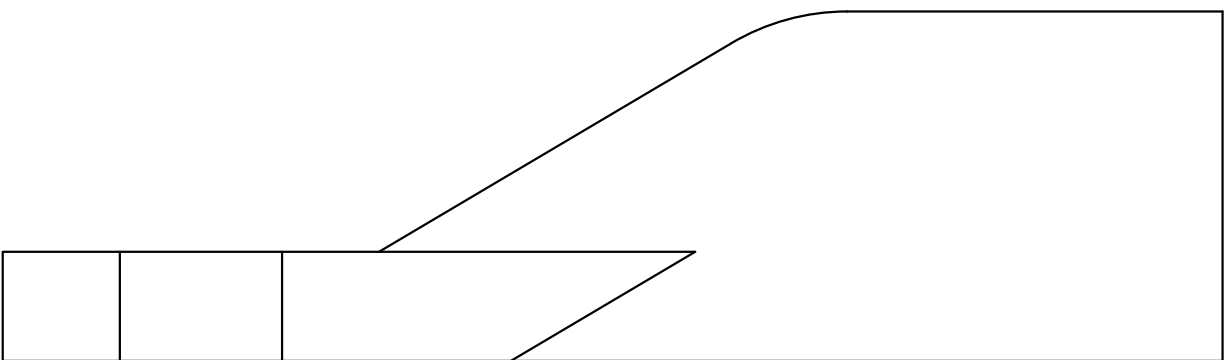
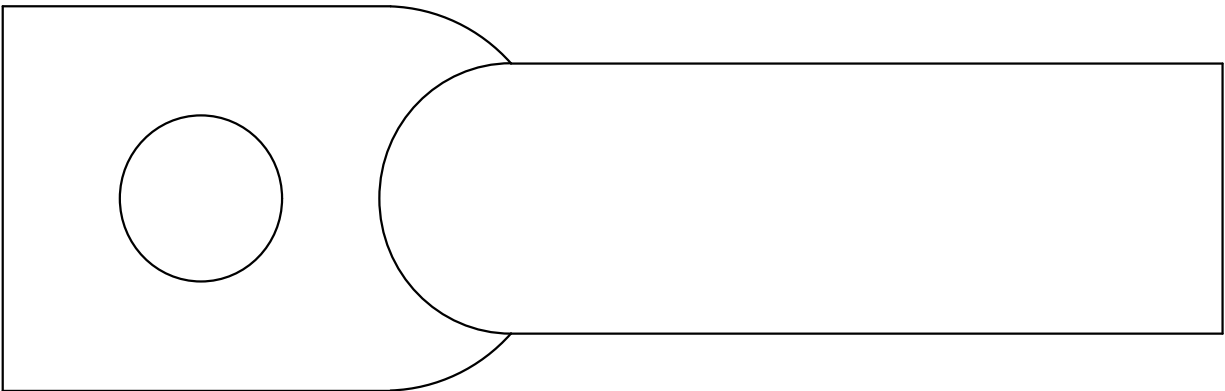
1245-07-80 CLAMP 1 BOLT CU/AL #6-800  
1245-07-85 CLAMP 1 BOLT CU/AL 795-336

1245-07-77 CLAMP 2 BOLT 795-795  
1245-07-83 CLAMP 2 BOLT CU/AL 600-4/0

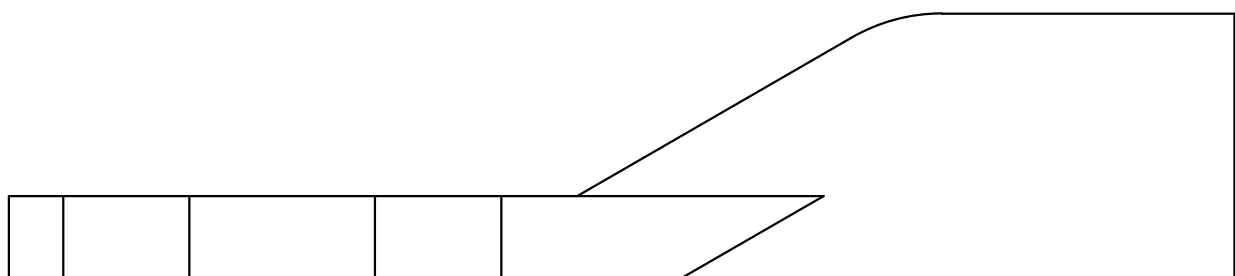
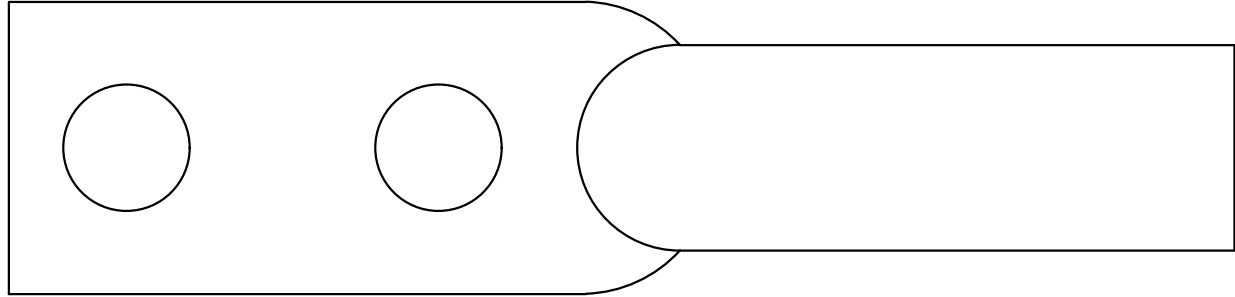
**NOTES:**

1. ALWAYS CLEAN THE CONDUCTOR AND CONNECTOR BEFORE ATTEMPTING TO INSTALL ELECTRICAL CONNECTORS.
2. EVEN NEW CONDUCTOR HAS ENOUGH OXIDATION TO CAUSE THE CONNECTOR TO FAIL PREMATURELY.
3. ALWAYS APPLY AN APPROVED OXIDATION INHIBITOR, SUCH AS PENETROX, TO ALL ALUMINUM SURFACES.
4. ENSURE PROPER SIZE CONNECTORS ARE USED FOR THE PARTICULAR CONDUCTOR COMBINATIONS.
5. NEVER PUT ALUMINUM AND COPPER CONDUCTORS TOGETHER ON THE SAME SIDE OF THE SEPARATOR BAR.
6. COPPER WIRE ON BOTTOM WITH ALUMINUM WIRE ON TOP.

CU-REF	CU-ID	CU-DESCRIPTION
12450773	CLP2BWDG795-3/4IN	CLAMP 2 BOLT WEDGE 795- 336
12450777	CLP2B795-795	CLAMP 2 BOLT 795 - 795
12450780	CLP1BCU/AL6-800	CLAMP VISE TYPE 1 BOLT 250 - 800 MCM
12450783	CLP2BCU/AL600-4/0	CLAMP VISE TYPE 2-BOLT 477- 250 MCM
12450785	CLP1BCU/AL795-336	CLAMP 1 BOLT CU/AL 795- 336

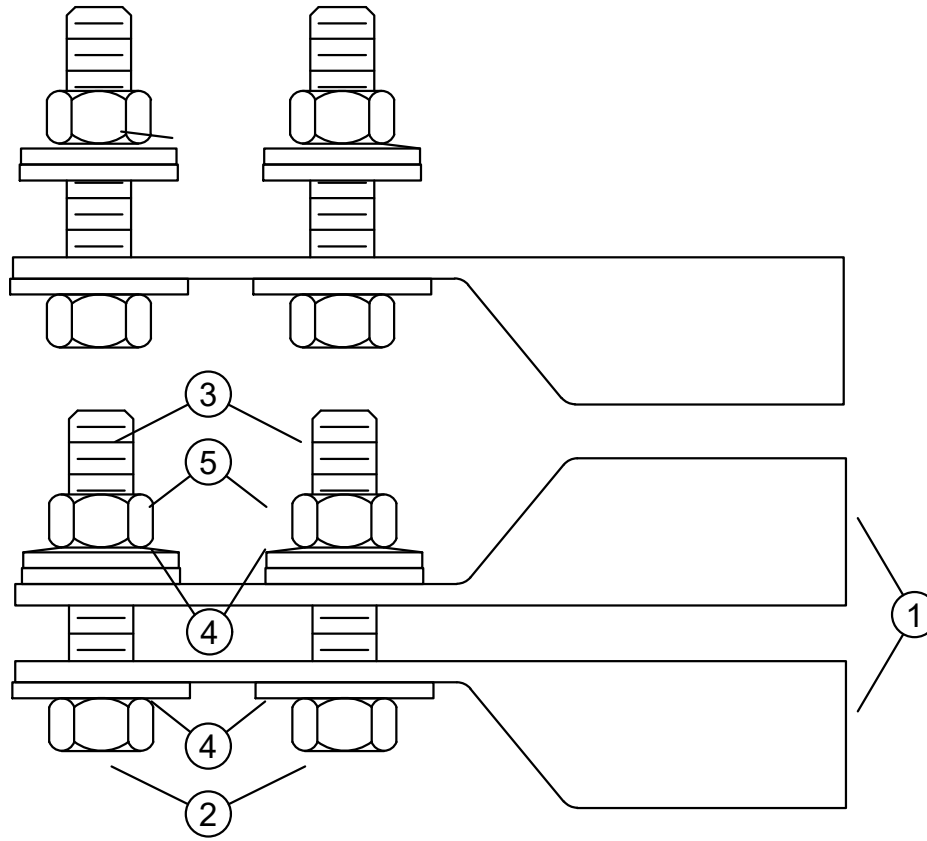


CU-REF	CU-ID	CU-DESCRIPTION
12450801	LUG1HCU2-3/8H	LUG 1- HOLE CU #2- 3/8 IN HOLE
12450820	LUG1HCU/AL4	LUG 1- HOLE CU/AL # 4
12450821	LUG1HCU2-1/2H	LUG 1- HOLE CU- #2- 1/2 IN HOLE
12450822	LUG1HAL1/0	LUG 1- HOLE AL 1/0
12450825	LUG1HCU2/0-1/2H	LUG 1- HOLE CU 2/0- 1/2 IN HOLE
12450827	LUGCOM1HALURD1/0	LUG COMPRESION 1HOLE AL URD FOR 1/0 ELBO

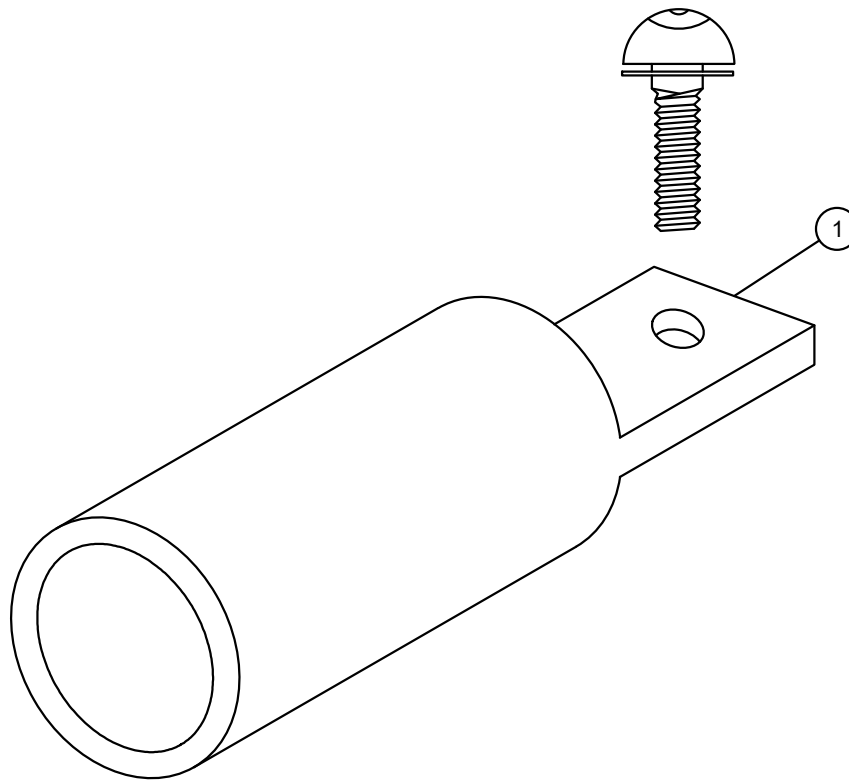
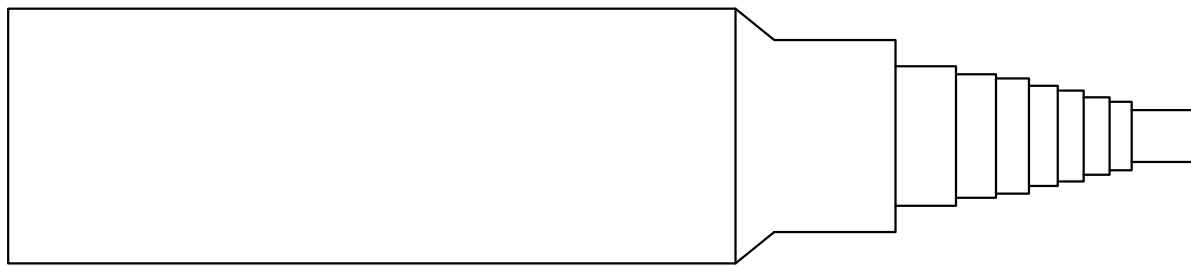


CU-REF	CU-ID	CU-DESCRIPTION
12451001	LUG2HCU4/0	LUG 2 HOLE CU 4/0
12451002	LUG2HCU250	LUG 2 HOLE CU 250
12451003	LUG2HCU350	LUG 2 HOLE CU 350
12451004	LUG2HCU400	LUG 2 HOLE CU 400
12451005	LUG2HCU500	LUG 2 HOLE CU 500
12451006	LUG2HCU600	LUG 2 HOLE CU 600
12451007	LUG2HCU750	LUG 2 HOLE CU 750
12451020	LUG2HCUAL2	LUG 2 HOLE CU/AL #2
12451021	LUG2HCUAL1/0	LUG 2 HOLE CU/AL 1/0
12451022	LUG2HCUAL2/0	LUG 2 HOLE CU/AL 2/0
12451023	LUG2HCUAL3/0	LUG 2 HOLE CU/AL 3/0
12451024	LUG2HCUAL4/0	LUG 2 HOLE CU/AL 4/0
12451025	LUG2HCUAL300	LUG 2 HOLE CU/AL 300
12451026	LUG2HCUAL350	LUG 2 HOLE CU/AL 350
12451027	LUG2HCUAL500	LUG 2 HOLE CU/AL 500
12451028	LUG2HCUAL600	LUG 2 HOLE CU/AL 600
12451029	LUG2HCUAL750	LUG 2 HOLE CU/AL 750
12451030	LUG2HCUAL1K	LUG 2 HOLE CU/AL 1000
12451035	LUG2HAL336	LUG 2 HOLE AL 336
12451036	LUG2HAL795	LUG 2 HOLE AL 795

CONDUCTORS AND HARDWARE  
OH AND UG CONNECTORS  
**TWO HOLE LUGS W/BOLTS SGL/DBL**



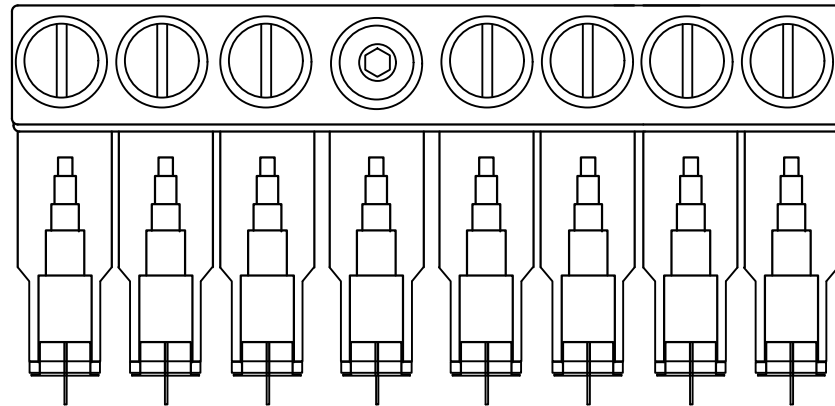
SINGLE AL LUGS			DOUBLE AL LUGS		
CU-REF	CU-ID	CU-DESCRIPTION	CU-REG	CU-ID	CU-DESCRIPTION
12451105	LUGSGLCUAL2B	LUG SGL CU/AL #2 W/BOLTS	12451130	LUGDBLCUAL2B	LUG DBL CU/AL #2 W/BOLTS
12451108	LUGSGLCUAL1/0B	LUG SGL CU/AL 1/0 W/BOLTS	12451131	LUGDBLCUAL1/0B	LUG DBL CU/AL 1/0 W/BOLTS
12451109	LUGSGLCUAL2/0B	LUG SGL CU/AL 2/0 W/BOLTS	12451132	LUGDBLCUAL2/0B	LUG DBL CU/AL 2/0 W/BOLTS
12451110	LUGSGLCUAL3/0B	LUG SGL CU/AL 3/0 W/BOLTS	12451133	LUGDBLCUAL3/0B	LUG DBL CU/AL 3/0 W/BOLTS
12451111	LUGSGLCUAL4/0B	LUG SGL CU/AL 4/0 W/BOLTS	12451134	LUGDBLCUAL4/0B	LUG DBL CU/AL 4/0 W/BOLTS
12451113	LUGSGLCUAL300B	LUG SGL CU/AL 300 W/BOLTS	12451136	LUGDBLCUAL300B	LUG DBL CU/AL 300 W/BOLTS
12451114	LUGSGLAL336B	LUG SGL AL 336 W/BOLTS	12451137	LUGDBLAL336B	LUG DBL AL 336 W/BOLTS
12451115	LUGSGLCUAL350B	LUG SGL CU/AL 350 W/BOLTS	12451138	LUGDBLCUAL350B	LUG DBL CU/AL 350 W/BOLTS
12451117	LUGSGLCUAL500B	LUG SGL CU/AL 500 W/BOLTS	12451140	LUGDBLCUAL500B	LUG DBL CU/AL 500 W/BOLTS
12451118	LUGSGLCUAL600B	LUG SGL CU/AL 600 W/BOLTS	12451141	LUGDBLCUAL600B	LUG DBL CU/AL 600 W/BOLTS
12451119	LUGSGLCUAL750B	LUG SGL CU/AL 750 W/BOLTS	12451142	LUGDBLCUAL750B	LUG DBL CU/AL 750 W/BOLTS
12451120	LUGSGLAL795B	LUG SGL AL 795 W/BOLTS	12451143	LUGDBLAL795B	LUG DBL AL 795 W/BOLTS
12451121	LUGSGLCUAL1KB	LUG SGL CU/AL 1000 W/BOLTS	12451144	LUGDBLCUAL1KB	LUG DBL CU/AL 1000 W/BOLTS
SINGLE CU LUGS			DOUBLE CU LUGS		
CU-REF	CU-ID	CU-DESCRIPTION	CU-REG	CU-ID	CU-DESCRIPTION
12451151	LUGSGLCU2B	LUG SGL CU #2 W/BOLTS	12451170	LUGDBLCU2B	LUG DBL CU #2 W/BOLTS
12451152	LUGSGLCU1/0B	LUG SGL CU 1/0 W/BOLTS	12451171	LUGDBLCU1/0B	LUG DBL CU 1/0 W/BOLTS
12451153	LUGSGLCU4/0B	LUG SGL CU 4/0 W/BOLTS	12451172	LUGDBLCU4/0B	LUG DBL CU 4/0 W/BOLTS
12451154	LUGSGLCU250B	LUG SGL CU 250 W/BOLTS	12451173	LUGDBLCU250B	LUG DBL CU 250 W/BOLTS
12451155	LUGSGLCU350B	LUG SGL CU 350 W/BOLTS	12451174	LUGDBLCU350B	LUG DBL CU 350 W/BOLTS
12451156	LUGSGLCU400B	LUG SGL CU 400 W/BOLTS	12451175	LUGDBLCU400B	LUG DBL CU 400 W/BOLTS
12451157	LUGSGLCU500B	LUG SGL CU 500 W/BOLTS	12451176	LUGDBLCU500B	LUG DBL CU 500 W/BOLTS
12451158	LUGSGLCU600B	LUG SGL CU 600 W/BOLTS	12451177	LUGDBLCU600B	LUG DBL CU 600 W/BOLTS
12451159	LUGSGLCU750B	LUG SGL CU 750 W/BOLTS	12451178	LUGDBLCU750B	LUG DBL CU 750 W/BOLTS



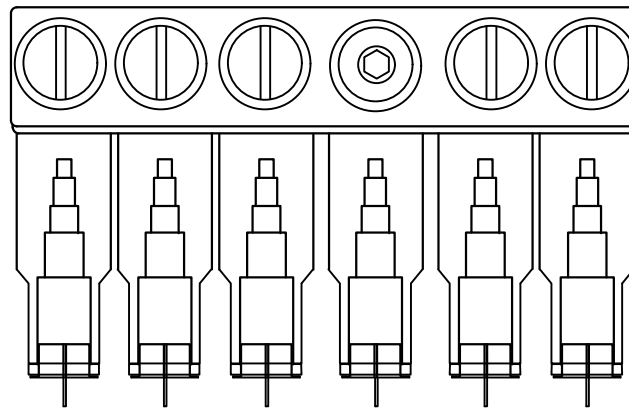
**NOTES:**

1. INSTALL PRELUBRICATED FORCE-FIT SLEEVES OVER EACH CONDUCTOR.
2. PRIOR TO INSTALLING ALUMINUM CONDUCTOR CONNECTORS, CLEAN THE CONDUCTOR WITH A WIRE BRUSH TO REMOVE OXIDES.
3. IMMEDIATELY APPLY A NON-GRIT INHIBITOR TO THE CONTACT SURFACE OF THE CONNECTOR.
4. CONNECTORS GENERALLY COME WITH INHIBITOR APPLIED AT THE FACTORY.
5. INSTALL COMPRESSION CONNECTOR ACCORDING TO MANUFACTURER'S INSTRUCTIONS. AFTER CRIMPING THE CONNECTOR, REMOVE ANY EXCESS JOINT COMPOUND AND SHARP EDGES.
6. BOLT THE CRIMPED CONNECTION TO THE MOLE OUTLET, AND SLIP THE SLEEVE OVER THE OUTLET COMPLETELY COVERING THE INSULATION.

CU-REF	CU-ID	CU-DESCRIPTION
12452001	MOLETAPCUAL#2	MOLE TAP CU/AL #2
12452002	MOLETAPCUAL1/0	MOLE TAP CU/AL 1/0
12452003	MOLETAPCUAL2/0	MOLE TAP CU/AL 2/0
12452004	MOLETAPCUAL3/0	MOLE TAP CU/AL 3/0
12452006	MOLETAPCUAL350	MOLE TAP CU/AL 350



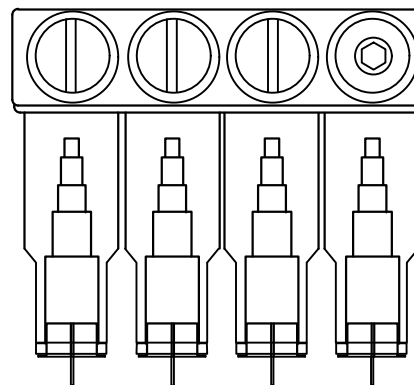
8 WAY CONNECTOR



6 WAY CONNECTOR

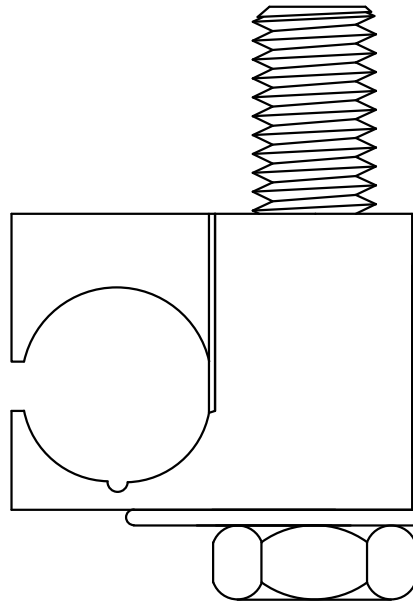
**NOTES:**

1. EACH TAP POSITION IS PROVIDED WITH SEALED WATERTIGHT CAPS.
2. KEEP THESE CAPS ON ALL UNUSED TAP POSITIONS. SEAL TAP POSITIONS WITH CABLES WITH THE FORCE-FIT SLEEVES PROVIDED WITH THE MOLE TAP KITS.
3. PRIOR TO INSTALLING ALUMINUM CONDUCTOR CONNECTORS, CLEAN THE CONDUCTOR WITH A WIRE BRUSH TO REMOVE OXIDES.
4. IMMEDIATELY APPLY A NON-GRIT INHIBITOR TO THE CONTACT SURFACE OF THE CONNECTOR. CONNECTORS GENERALLY COME WITH INHIBITOR APPLIED AT THE FACTORY.



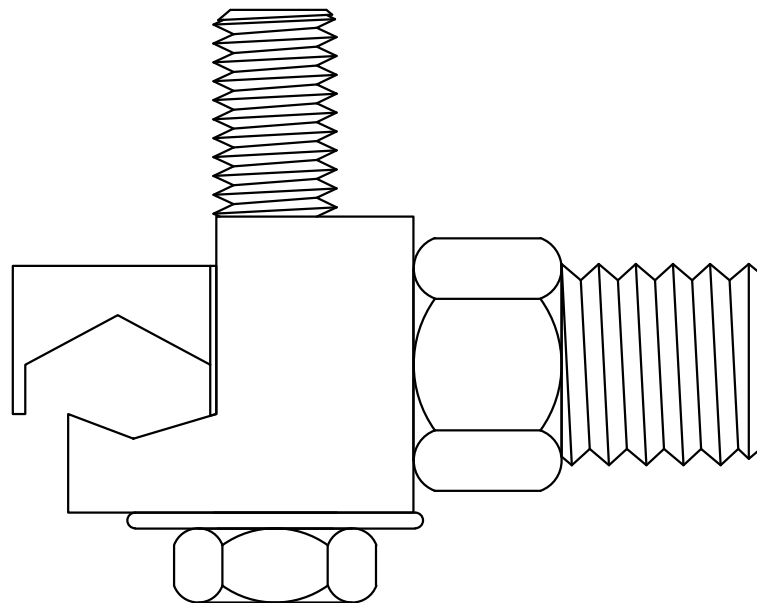
4 WAY CONNECTOR

CU-REF	CU-ID	CU-DESCRIPTION
12452110	CONN6COND350-12INSUL600V	CONNECTOR 6 COND 350 - #12 INSUL 600V
12452120	CONN4COND350-12INSUL600V	CONNECTOR 4 COND 350 MCM TO #12 INSUL 60
12452130	MOLETAPCON2-750MCM8WAY	MOLE TAP CONNECTOR 2- 750 MCM 8 WAY
12452135	MOLETAPCON2-7504-WAY	MOLE TAP CONNECTOR 2- 750 4-WAY



1245-25-01

GROUND ROD CLAMP



1245-25-20

TRANSFORMER TANK GROUND CLAMP

CU-REF	CU-ID	CU-DESCRIPTION
12452501	GRDRODCLAMP	GRD ROD CLAMP
12452520	GRDXFMRTANK	GROUND TRANSFORMER TANK