

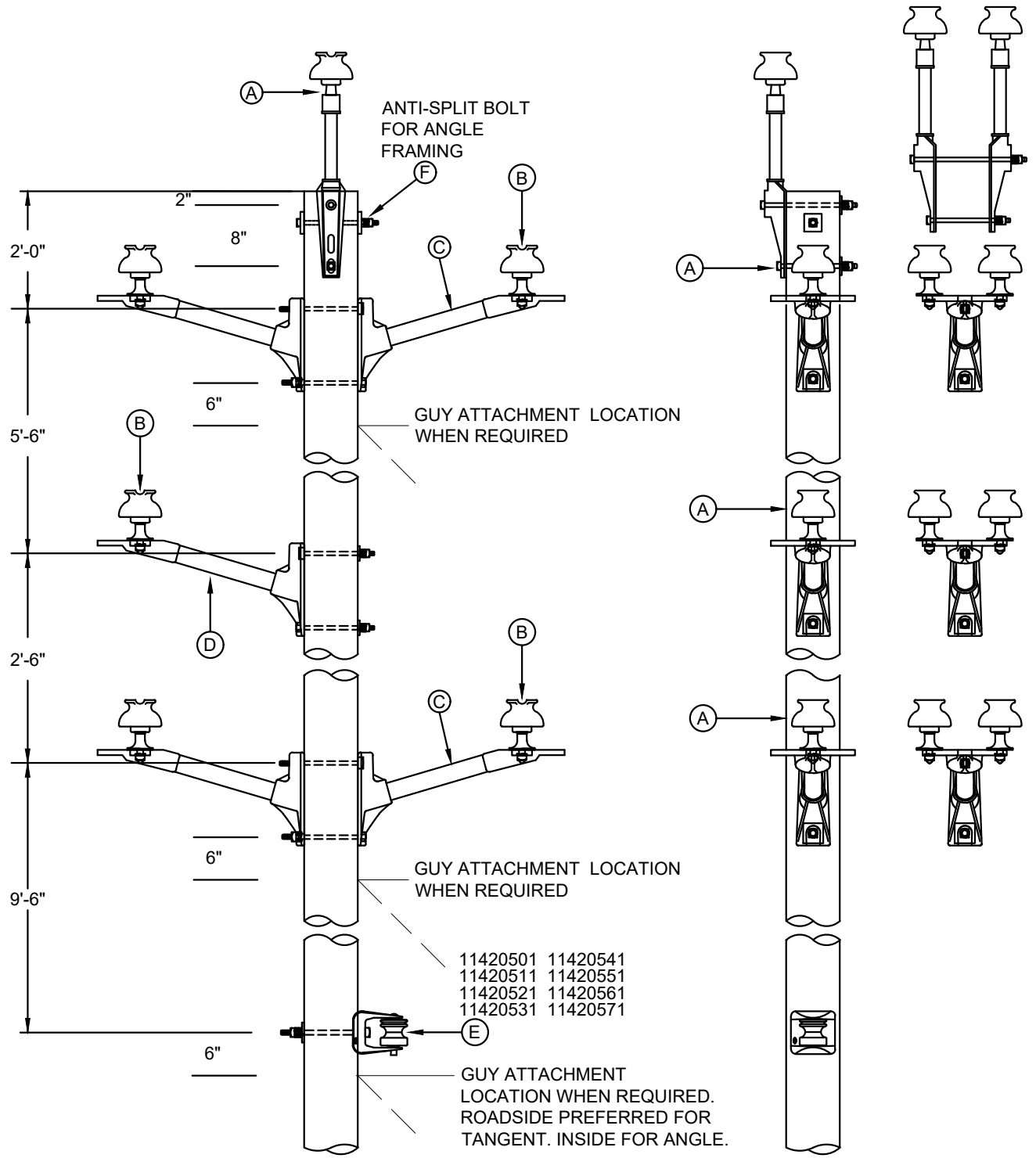
1142

3PH NARROW PROFILE DOUBLE CIRCUIT FRAMING

CONTAINS

- 1142-05 3PH NP DOUBLE CKT TANGENT/ANGLE
- 1142-22 3PH NP DOUBLE CKT SINGLE DE FLAT
- 1142-30 3PH NP DOUBLE CKT DOUBLE DE FLAT
- 1142-40 3PH NP DOUBLE CKT CORNER POLE

POLES, HARDWARE, AND FRAMING
 3PH NARROW PROFILE DOUBLE CIRCUIT FRAMING
 3PH NP DOUBLE CKT TANGENT/ANGLE

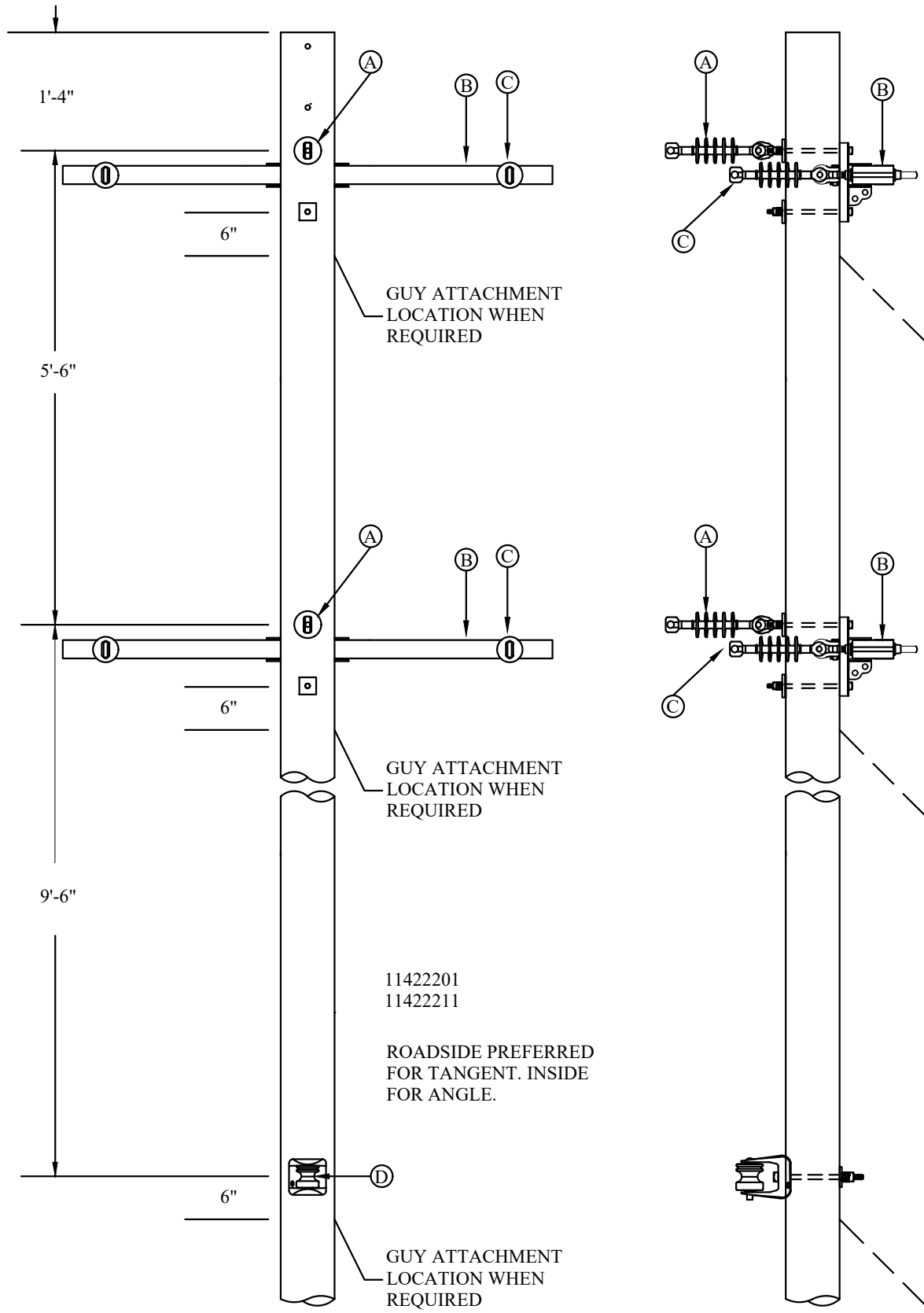


SEE 1142 ASSOCIATED MODULES

MU-REF	MU-ID	MU-DESCRIPTION
11420501	3PHNPDBLCKTTSGLPNSGLNU	3PH NP DBL CKT TAN W/SGL PIN SGL NEUT
11420511	3PHNPDBLCKTDBLPNSGLNU	3PH NP DBL CKT TAN W/DBL PIN SGL NEUT
11420521	3PHNPDBLCKTASGLPNGLNU	3PH NP DBL CKT ANGL W/SGL PIN SGL NEUT
11420531	3PHNPDBLCKTADBLPNGLNU	3PH NP DBL CKT ANGL W/DBL PIN SGL NEUT
11420541	3PHNPDBLCKTTSGLPNSGLNU-CC	3PH NP DBL CKT TAN W/SGL PIN SGL NEUT - CC
11420551	3PHNPDBLCKTDBLPNSGLNU-CC	3PH NP DBL CKT TAN W/DBL PIN SGL NEUT - CC
11420561	3PHNPDBLCKTASGLPNGLNU-CC	3PH NP DBL CKT ANGL W/SGL PIN SGL NEUT - CC
11420571	3PHNPDBLCKTADBLPNGLNU-CC	3PH NP DBL CKT ANGL W/DBL PIN SGL NEUT - CC

REV_DATE:

04/01/26

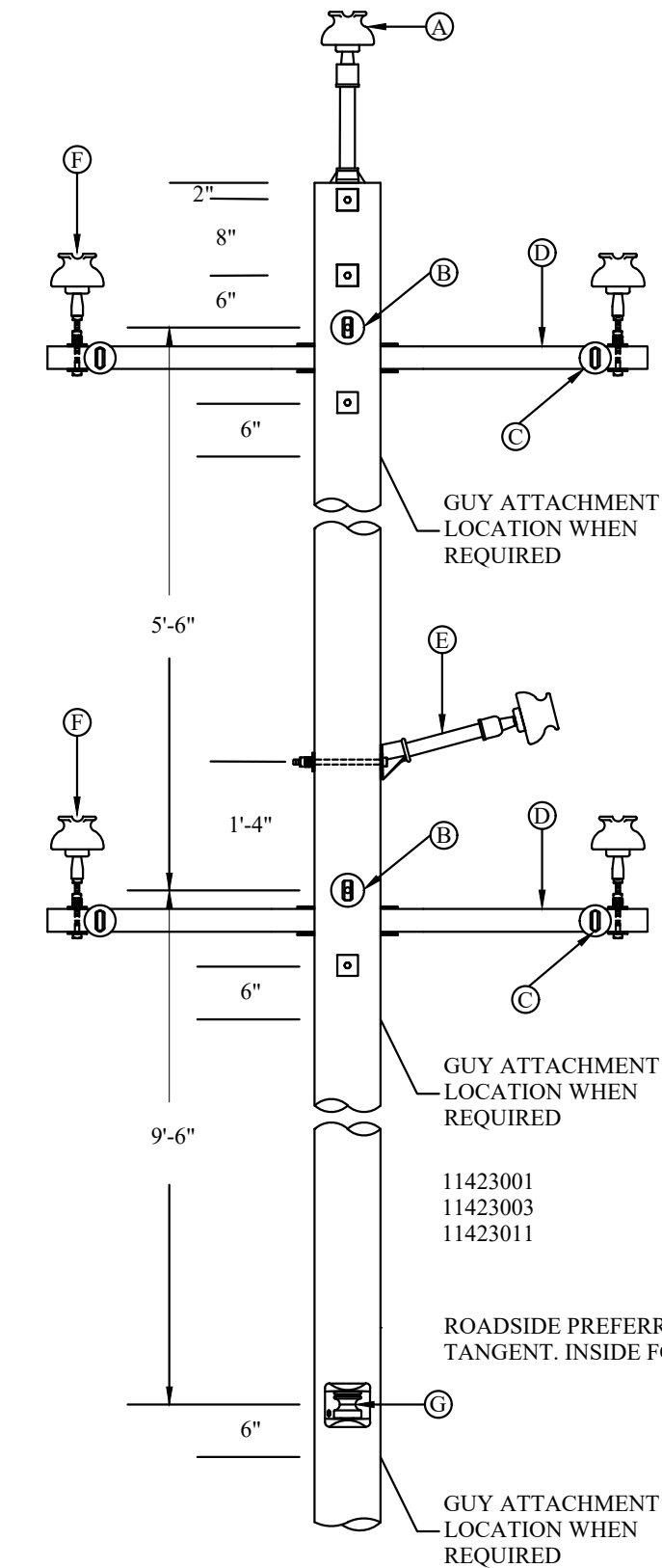


11422201
11422211

ROADSIDE PREFERRED
FOR TANGENT. INSIDE
FOR ANGLE.

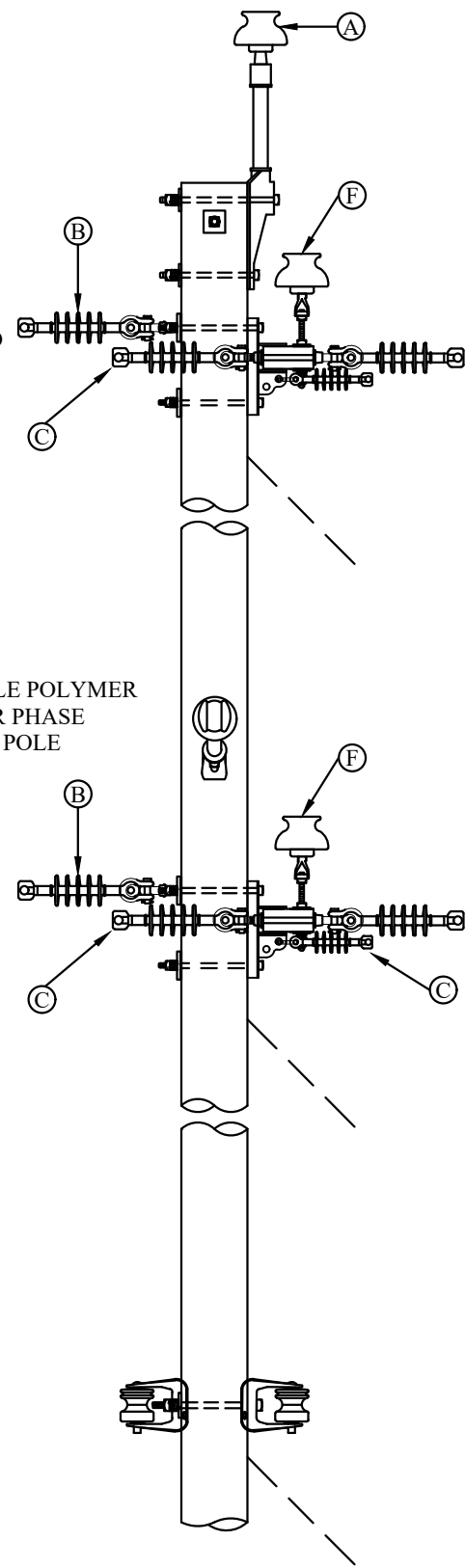
SEE 1142 ASSOCIATED MODULES

MU-REF	MU-ID	MU-DESCRIPTION
11422201	3PHNPDBLCKTSDEFLT	3PH NP DBL CKT SGL DE FLAT
11422211	3PHNPDBLCKTSDEFLT-CC	3PH NP DBL CKT SGL DE FLAT - CC



TO BE USED WITH
DOUBLE DEAD END
REDUCED TENSION

USE DOUBLE POLYMER
ON CENTER PHASE
FOR STEEL POLE



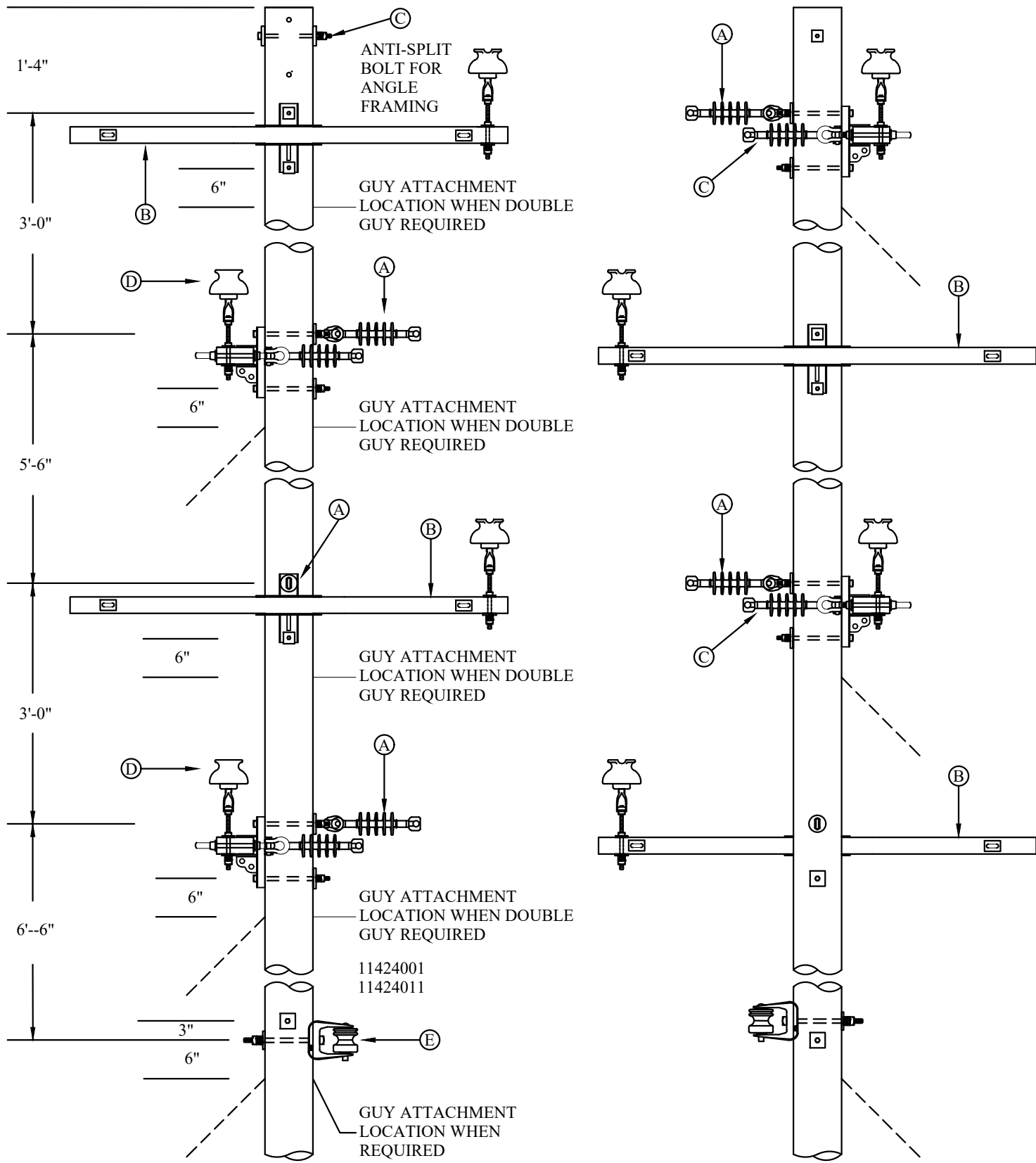
- 11423001
- 11423003
- 11423011

ROADSIDE PREFERRED FOR
TANGENT. INSIDE FOR ANGLE.

SEE 1142 ASSOCIATED MODULES

MU-REF	MU-ID	MU-DESCRIPTION
11423001	3PHNPDBLCKTDDEFLT	3PH NP DBL CKT DBL DE FLAT ANGLE
11423003	3PHNPDBLCKTSDERTN	3PH NP DBL CKT FLAT DE/REDUCED TENSION
11423011	3PHNPDBLCKTDDEANGRTN-CC	3PH NP DBL CKT DBL DE FLAT ANGLE / REDUCED TEN - CC

REV_DATE:
04/01/26



SEE 1142 ASSOCIATED MODULES

MU-REF	MU-ID	MU-DESCRIPTION
11424001	3PHNPDBLCKTCNFLT	3PH NP DBL CKT CORNER POLE FLT
11424011	3PHNPDBLCKTCNFLT-CC	3PH NP DBL CKT CORNER POLE FLT - CC