

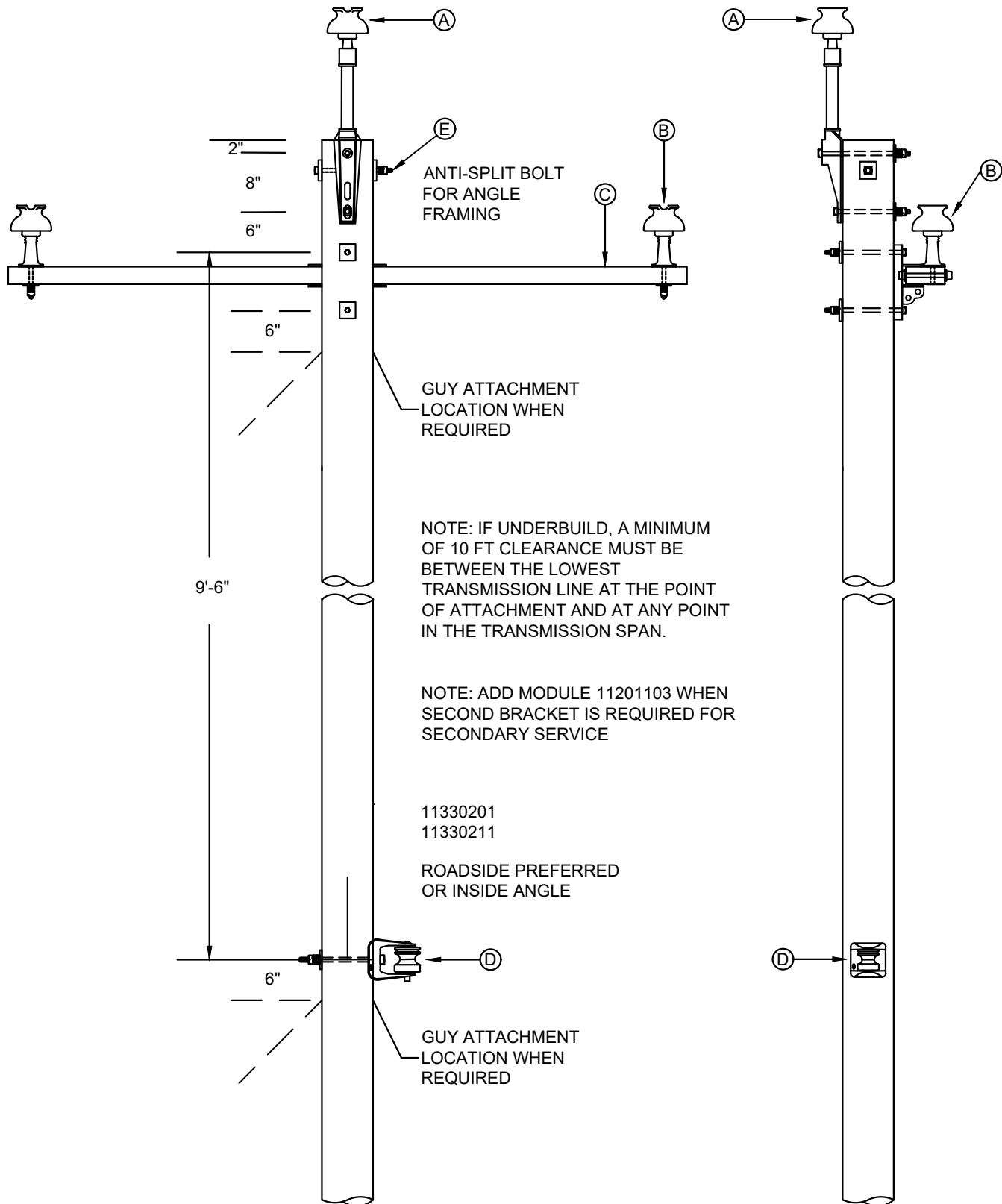
1133

3 PH XARM FRAMING 10 FT

CONTAINS

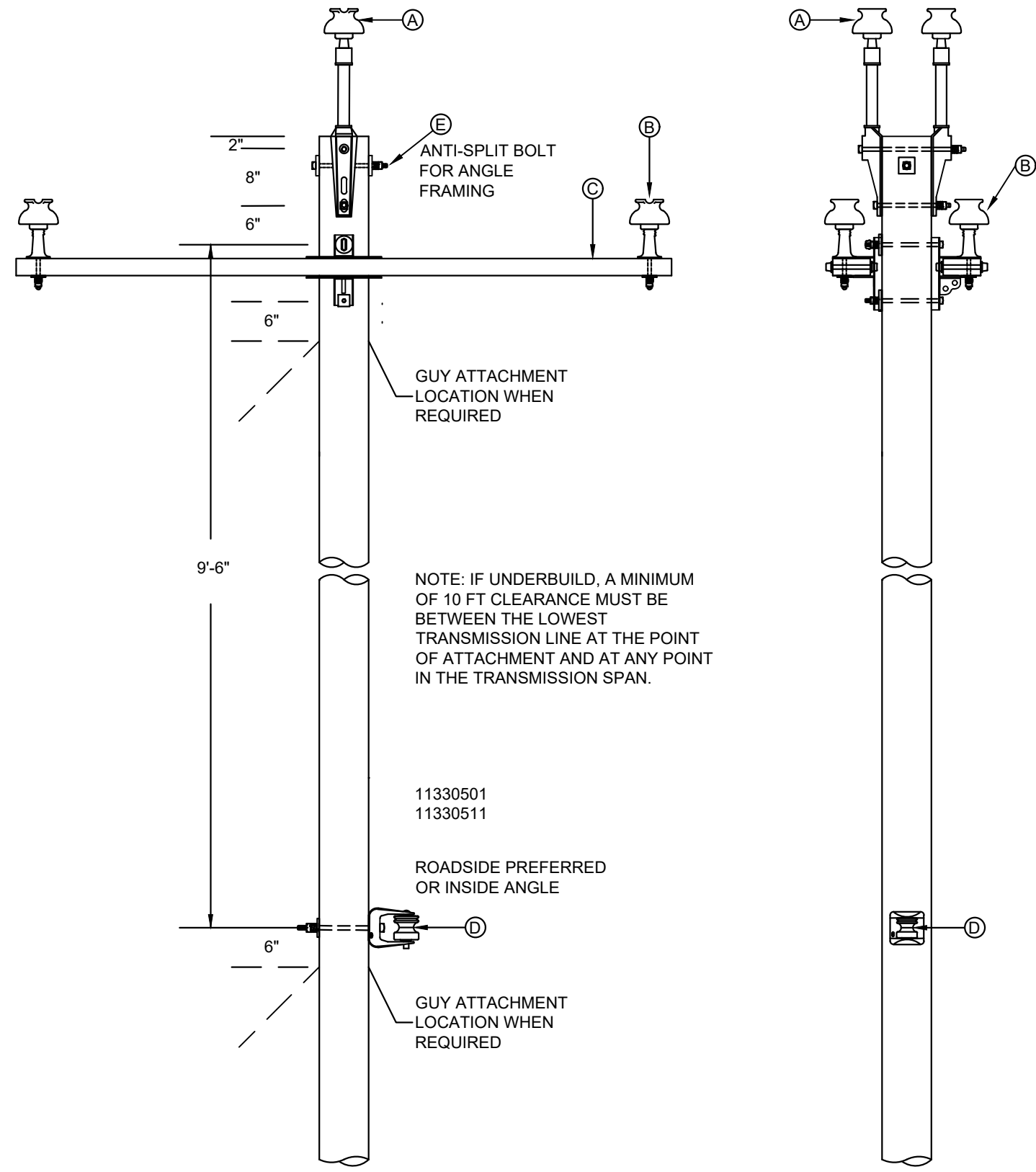
- 1133-02 3PH XARM TANGENT/ANGLE SINGLE 10 FT
- 1133-05 3PH XARM TANGENT/ANGLE DOUBLE 10 FT
- 1133-22 3PH XARM SINGLE DEAD END HD 10 FT
- 1133-42 3PH XARM SINGLE DE CORNER POLE 10 FT
- 1133-52 3PH XARM DOUBLE DEAD END 10 FT
- 1133-55 3PH XARM JUNCTION 10 FT
- 1133-60 3PH SINGLE ALLEY ARM 10 FT
- 1133-61 3PH DOUBLE ALLEY ARM 10 FT

REV_DATE:
04/01/26



SEE 1133 ASSOCIATED MODULES

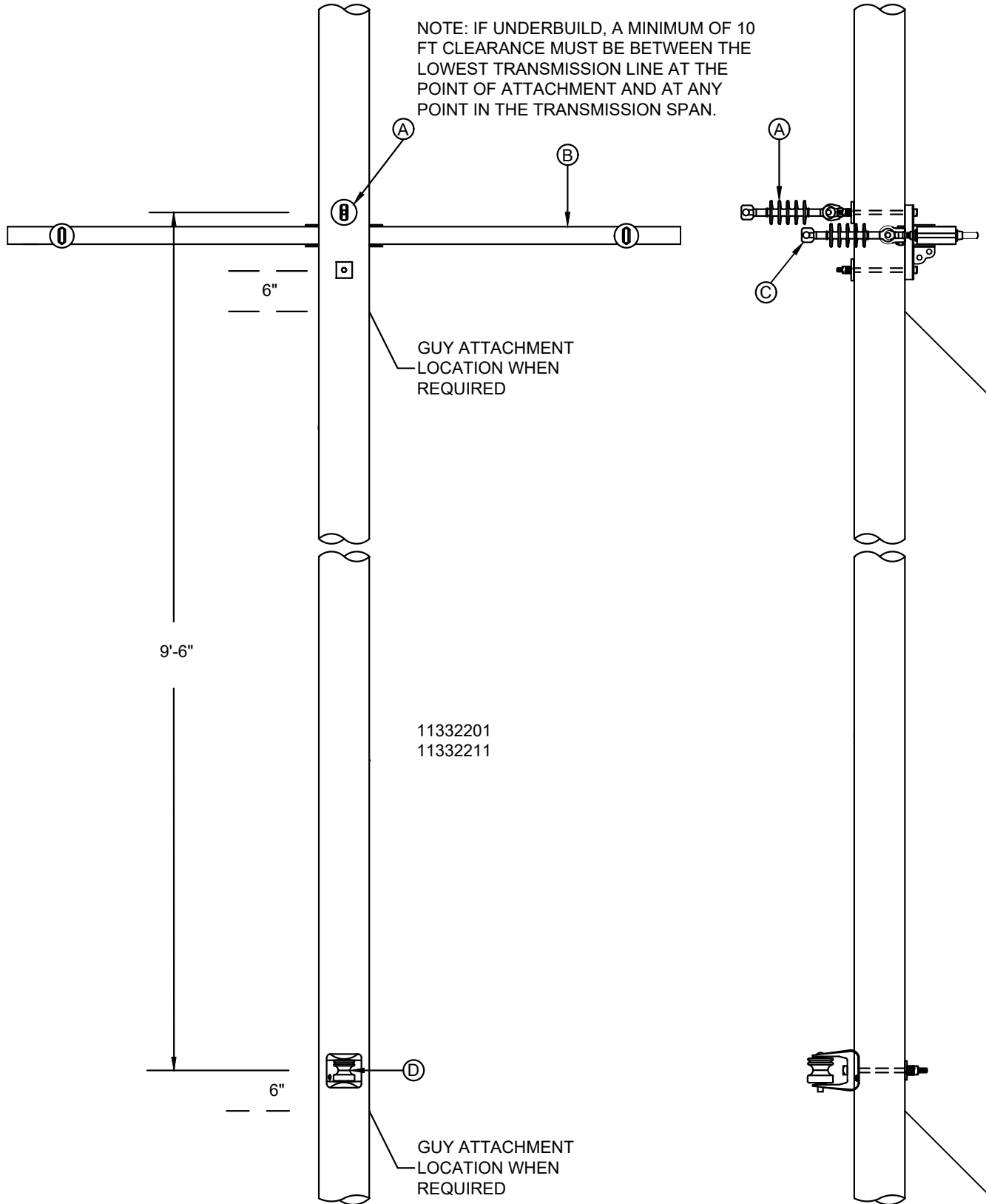
MU-REF	MU-ID	MU-DESCRIPTION
11330201	3PHXRTN/AGSGLPNSGLNU10FT	3PH XARM TAN/ANG SGL PIN SGL NU 10FT
11330211	3PHXRTN/AGSGLPN10FT-CC	3PH XARM TAN/ANG SGL PIN 10FT - CC



SEE 1133 ASSOCIATED MODULES

MU-REF	MU-ID	MU-DESCRIPTION
11330501	3PHXRTN/AGDBLPNSGLNU10FT	3PH XARM TAN/ANG DBL PIN SGL NU 10FT
11330511	3PHXRTN/AGDBLPN10FT-CC	3PH XARM TAN/ANG DBL PIN 10FT - CC

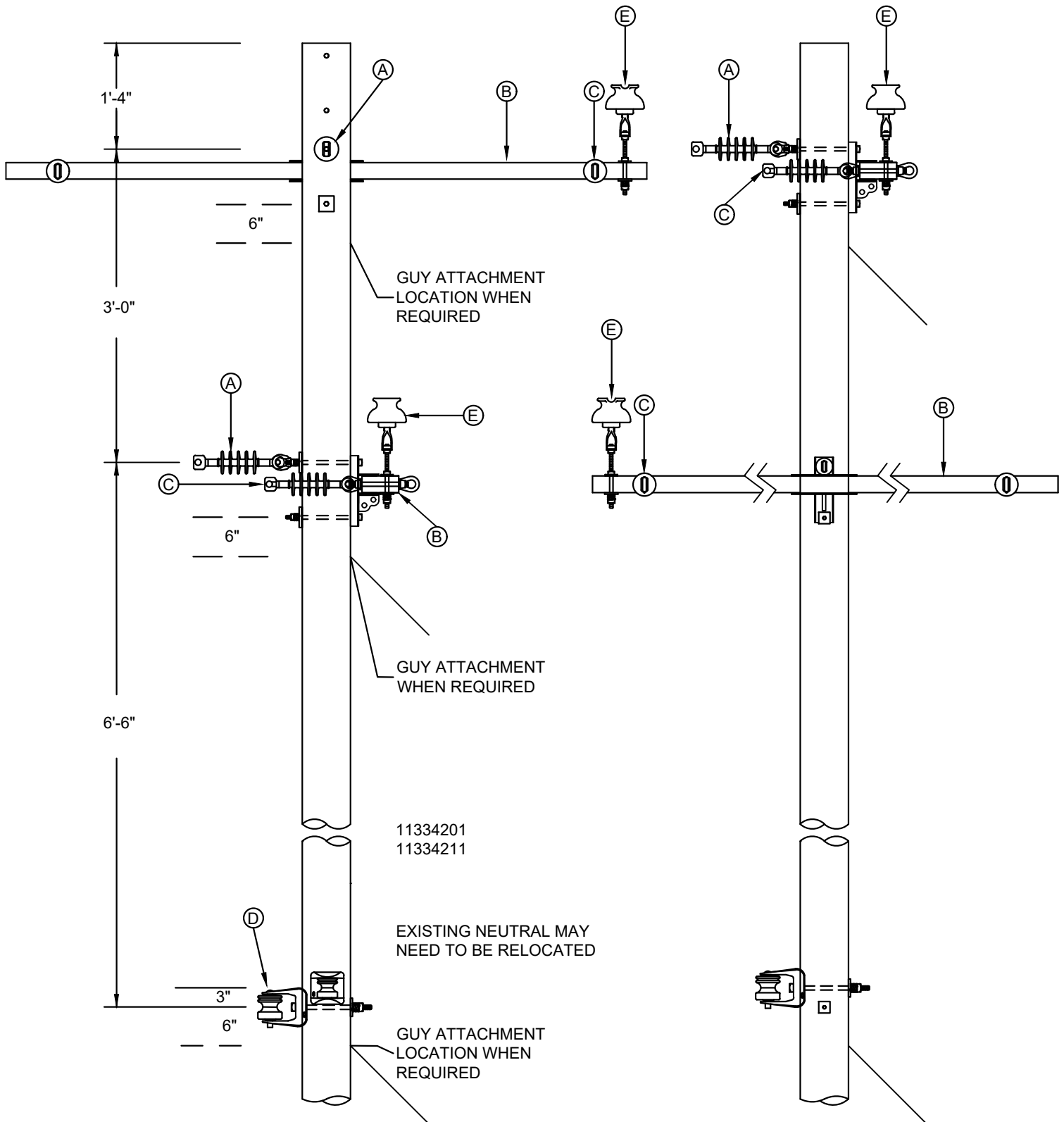
NOTE: IF UNDERBUILD, A MINIMUM OF 10 FT CLEARANCE MUST BE BETWEEN THE LOWEST TRANSMISSION LINE AT THE POINT OF ATTACHMENT AND AT ANY POINT IN THE TRANSMISSION SPAN.



SEE 1133 ASSOCIATED MODULES

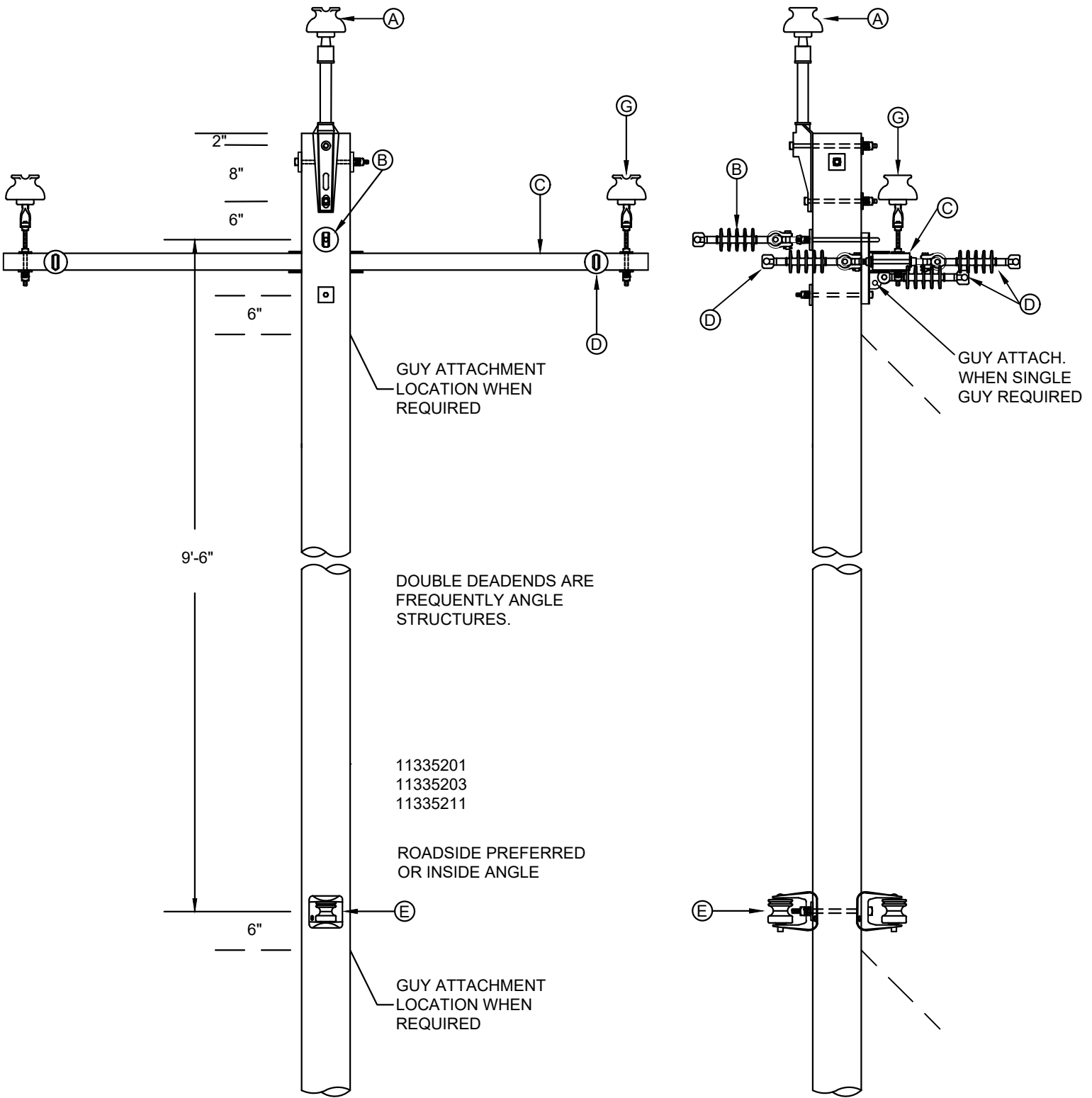
MU-REF	MU-ID	MU-DESCRIPTION
11332201	3PHXRSDEHD10FT	3PH XARM SGL DE HD 10FT
11332211	3PHXRSDEHD10FT-CC	3PH XARM SGL DE HD 10FT - CC

REV_DATE:
04/01/26



SEE 1133 ASSOCIATED MODULES

MU-REF	MU-ID	MU-DESCRIPTION
11334201	3PHXRSDECNHD10FT	3PH XARM SGL DE CORNER 10FT
11334211	3PHXRSDECNHD10FT-CC	3PH XARM SGL DE CORNER 10FT - CC

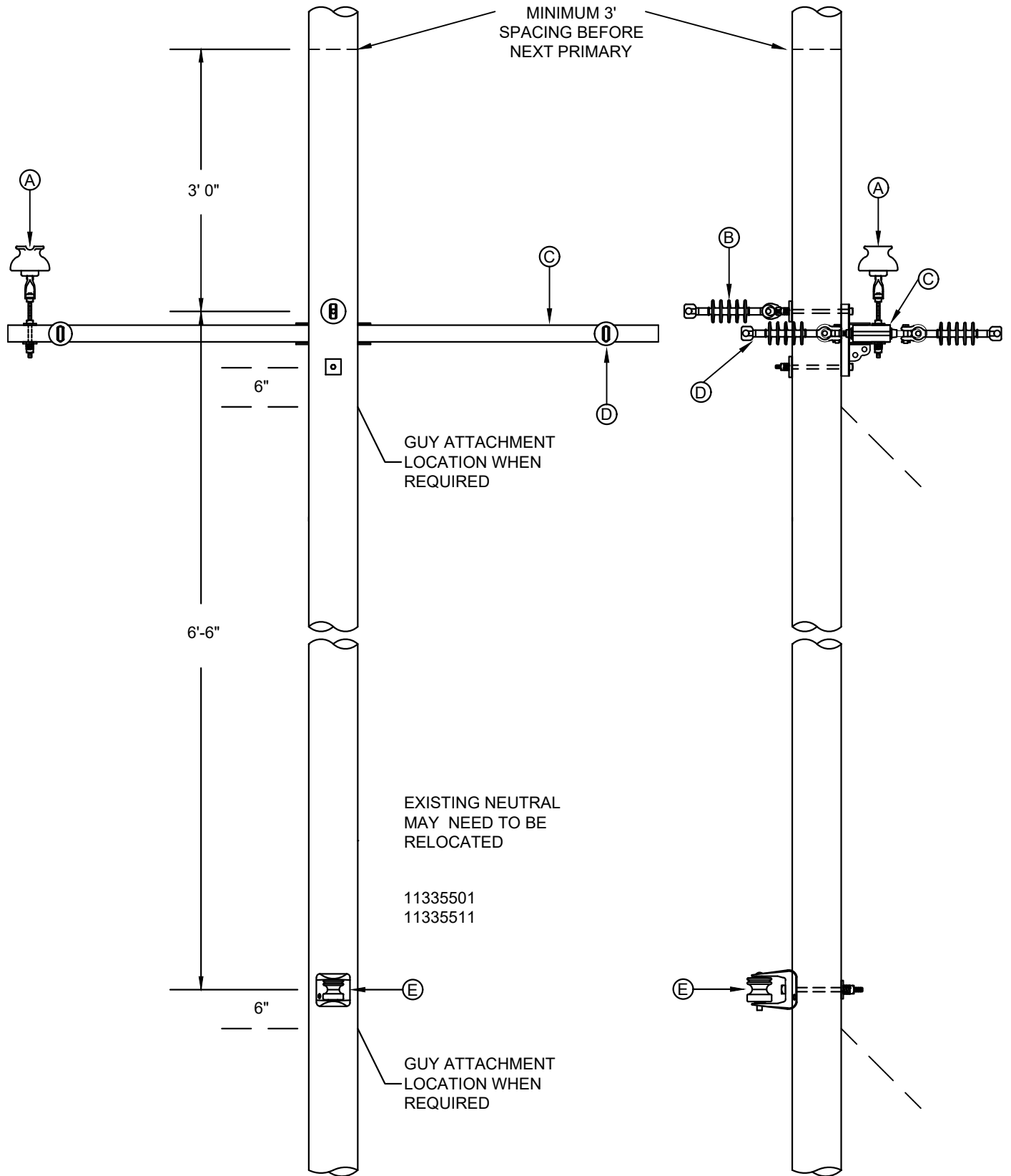


SEE 1133 ASSOCIATED MODULES

MU-REF	MU-ID	MU-DESCRIPTION
11335201	3PHXRDDDEHD10FT	3PH XARM DBL DE ANGLE HD 10FT
11335203	3PHXRDDERTNHD10FT	3PH XARM DBL DE REDUCED TEN HD 10FT
11335211	3PHXRDDDEANGRTNHD10FT-CC	3PH XARM DBL DE ANGLE / REDUCED TEN HD 10FT - CC

REV_DATE:

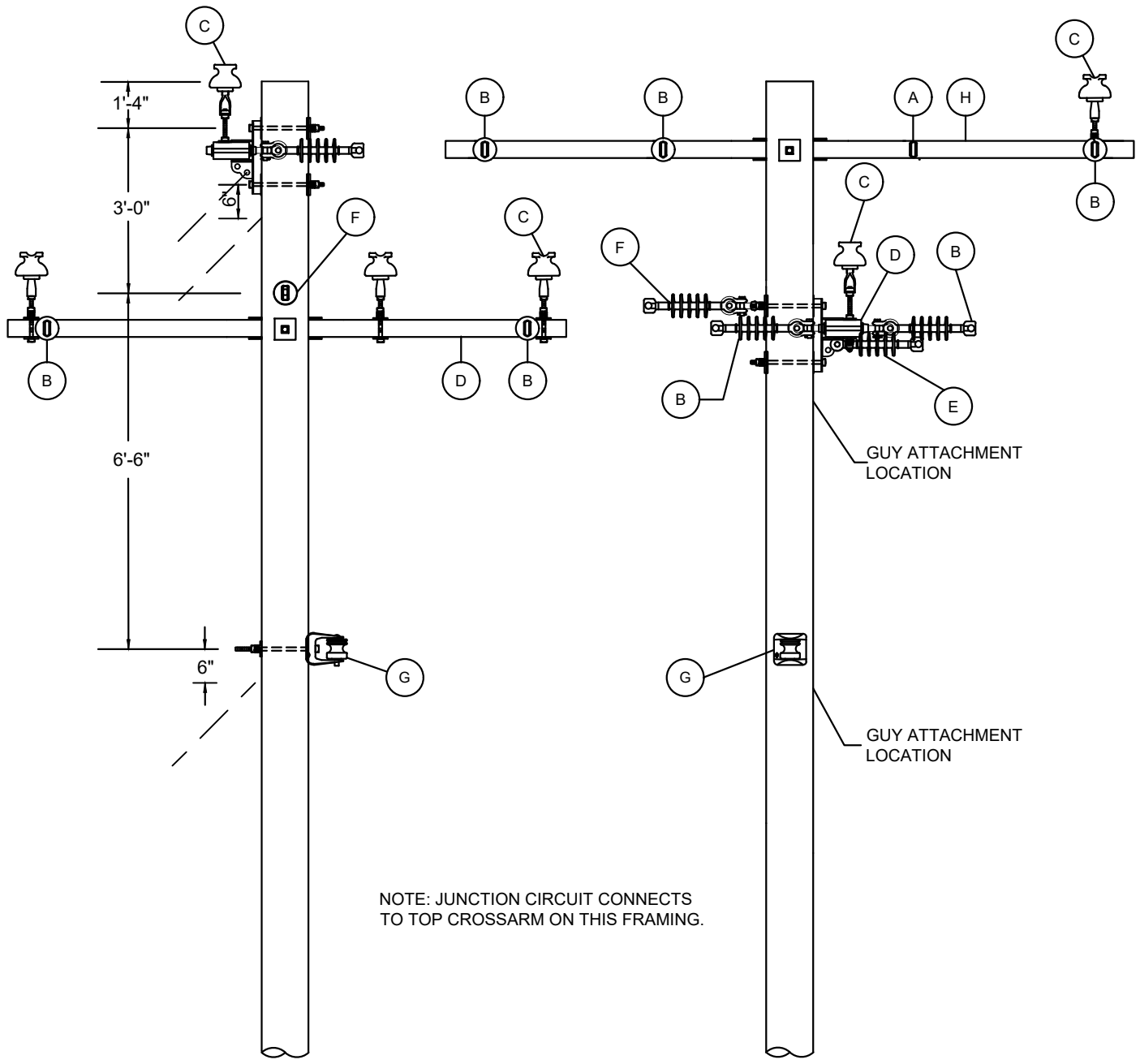
04/01/26



SEE 1133 ASSOCIATED MODULES

MU-REF	MU-ID	MU-DESCRIPTION
11335501	3PHXRSDEJNHD10FT	3PH XARM SGL DE JUNCTION HD 10FT
11335511	3PHXRSDEJNHD10FT-CC	3PH XARM SGL DE JUNCTION HD 10FT - CC

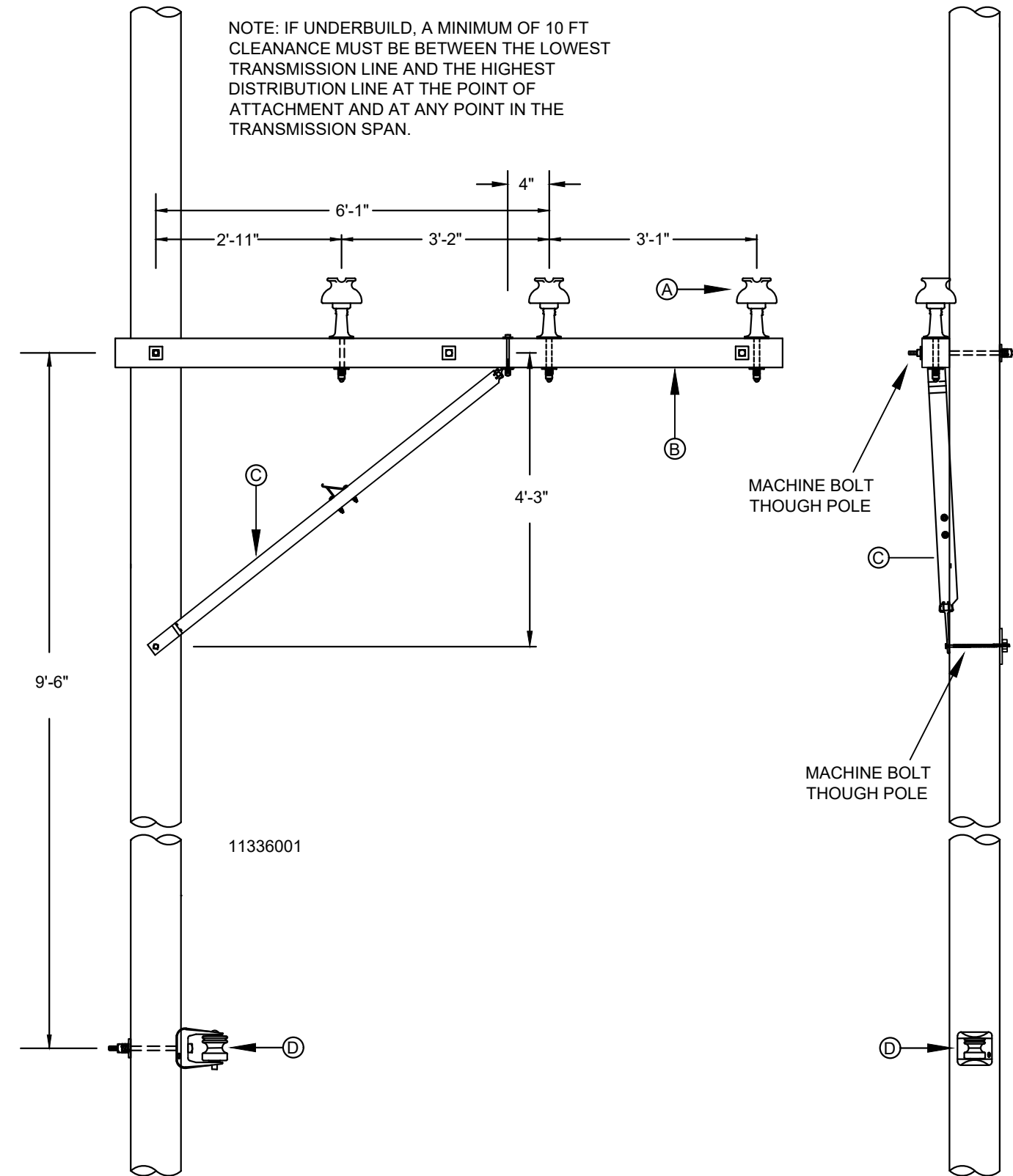
REV_DATE:
04/01/26



NOTE: JUNCTION CIRCUIT CONNECTS TO TOP CROSSARM ON THIS FRAMING.

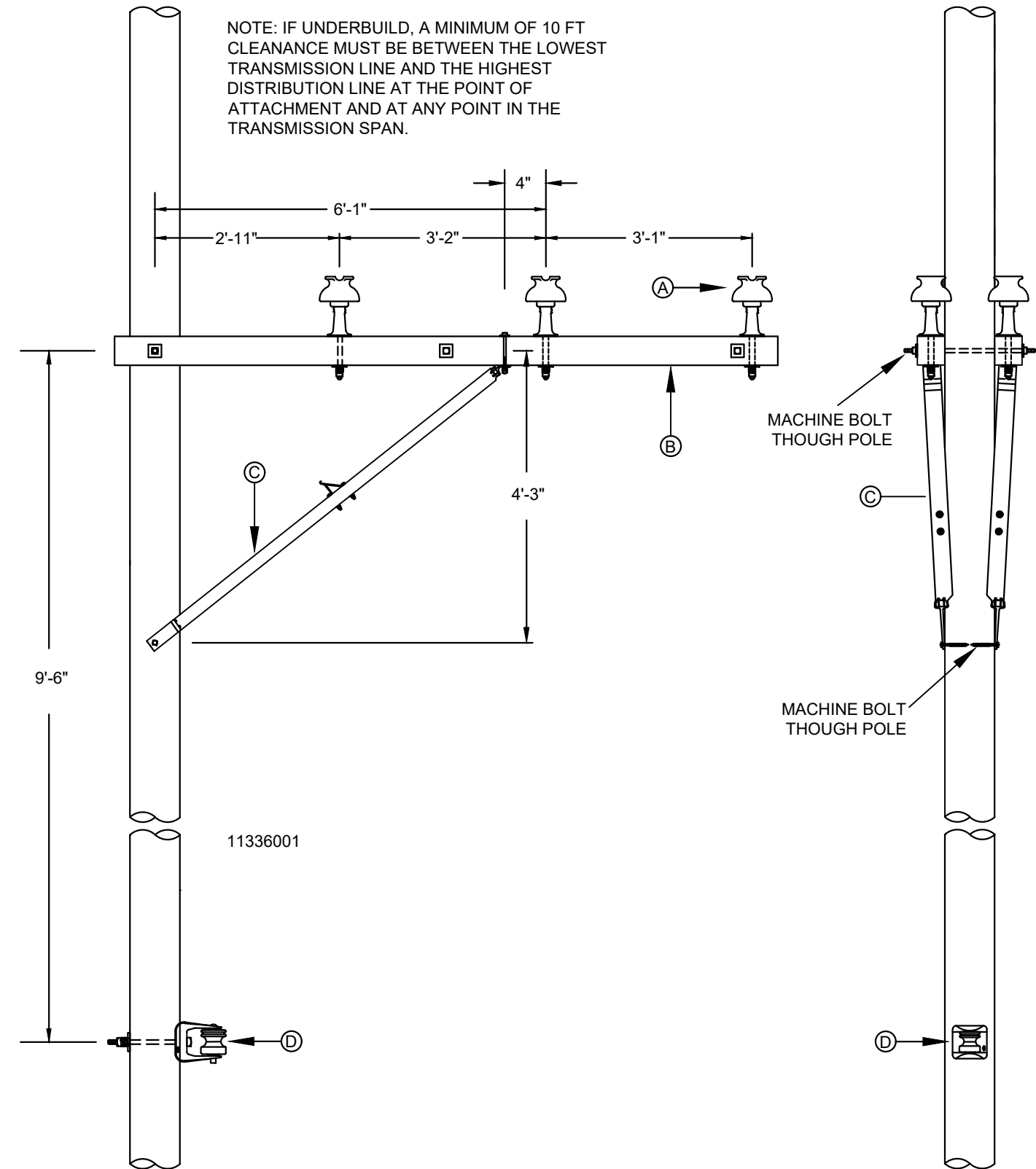
SEE 1133 ASSOCIATED MODULES

MU-REF	MU-ID	MU-DESCRIPTION
11335601	3PHXRSDEJNHD10FTTOP	3PH XARM SGL DE JUNCTION HD 10FT TOP
11335611	3PHXRSDEJNHD10FTTOP-CC	3PH XARM SGL DE JUNCTION HD 10FT TOP - CC



SEE 1133 ASSOCIATED MODULES

MU-REF	MU-ID	MU-DESCRIPTION
11336001	3PHAATN/AGSGLPNSGLNU10FT	3PH ALLEY ARM TAN/ANG SGL PIN SGL NU 10'



MU-REF	MU-ID	MU-DESCRIPTION
11336101	3PHAATN/ANDBLPNSGLNU10FT	3PH ALLEY ARM TAN/ANG DBL PIN SGL NU 10'