

1126

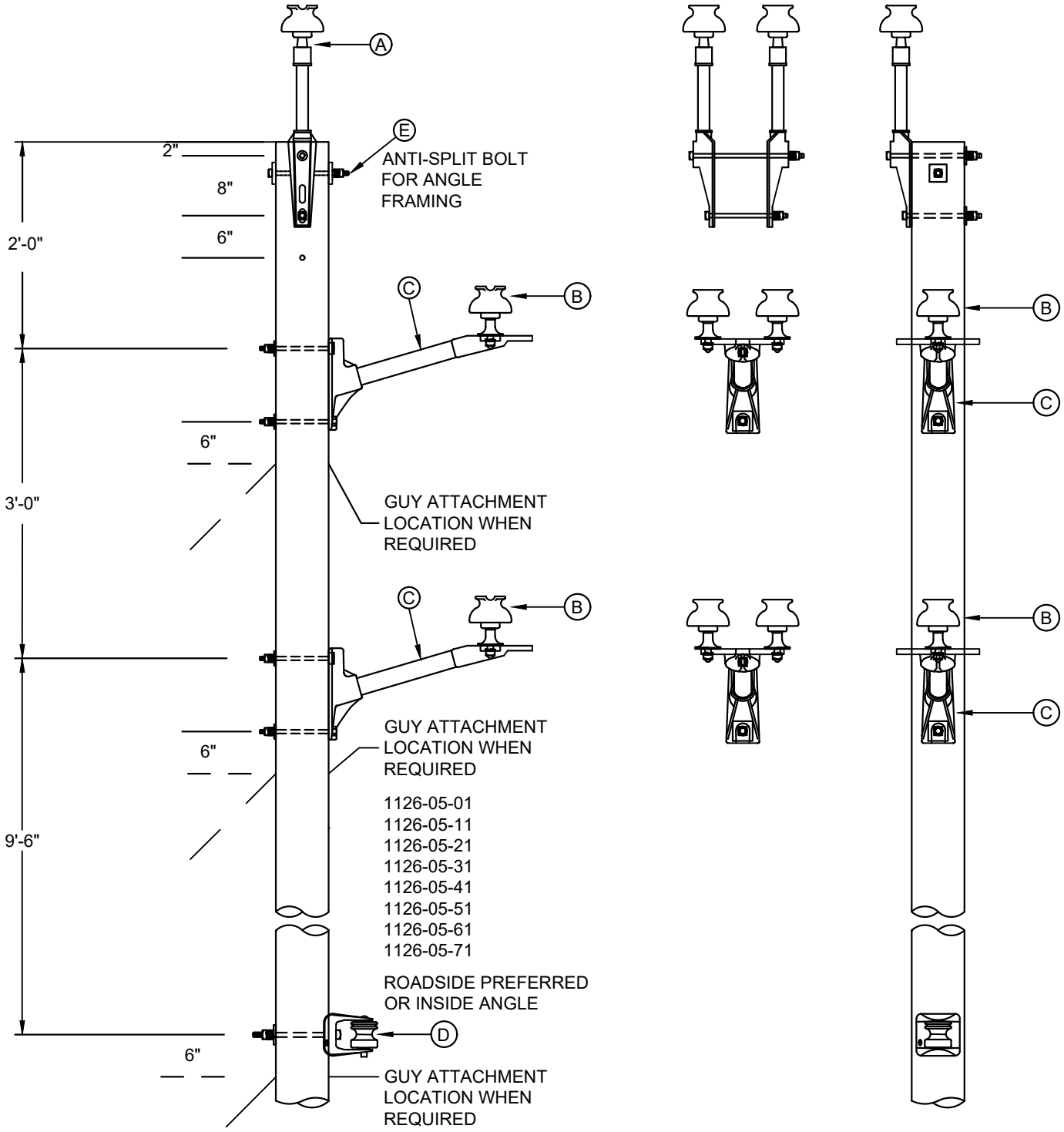
3PH VERTICAL FRAMING

CONTAINS

- 1126-05 3PH VERTICAL TANGENT/ANGLE
- 1126-06 3PH VERTICAL TANGENT/ANGLE ALTERNATIVE
- 1126-07 3PH VERTICAL TANGENT/ANGLE W/ APPARATUS
- 1126-21 3PH VERTICAL DEADEND
- 1126-42 3PH VERTICAL DEADEND / REDUCED TENSION
- 1126-51 3PH VERTICAL DOUBLE DEADEND
- 1126-55 3PH VERTICAL DEADEND CORNER
- 1126-60 3PH VERTICAL TANGENT W/ FT-RT JUNCTION

REV_DATE:

04/01/26

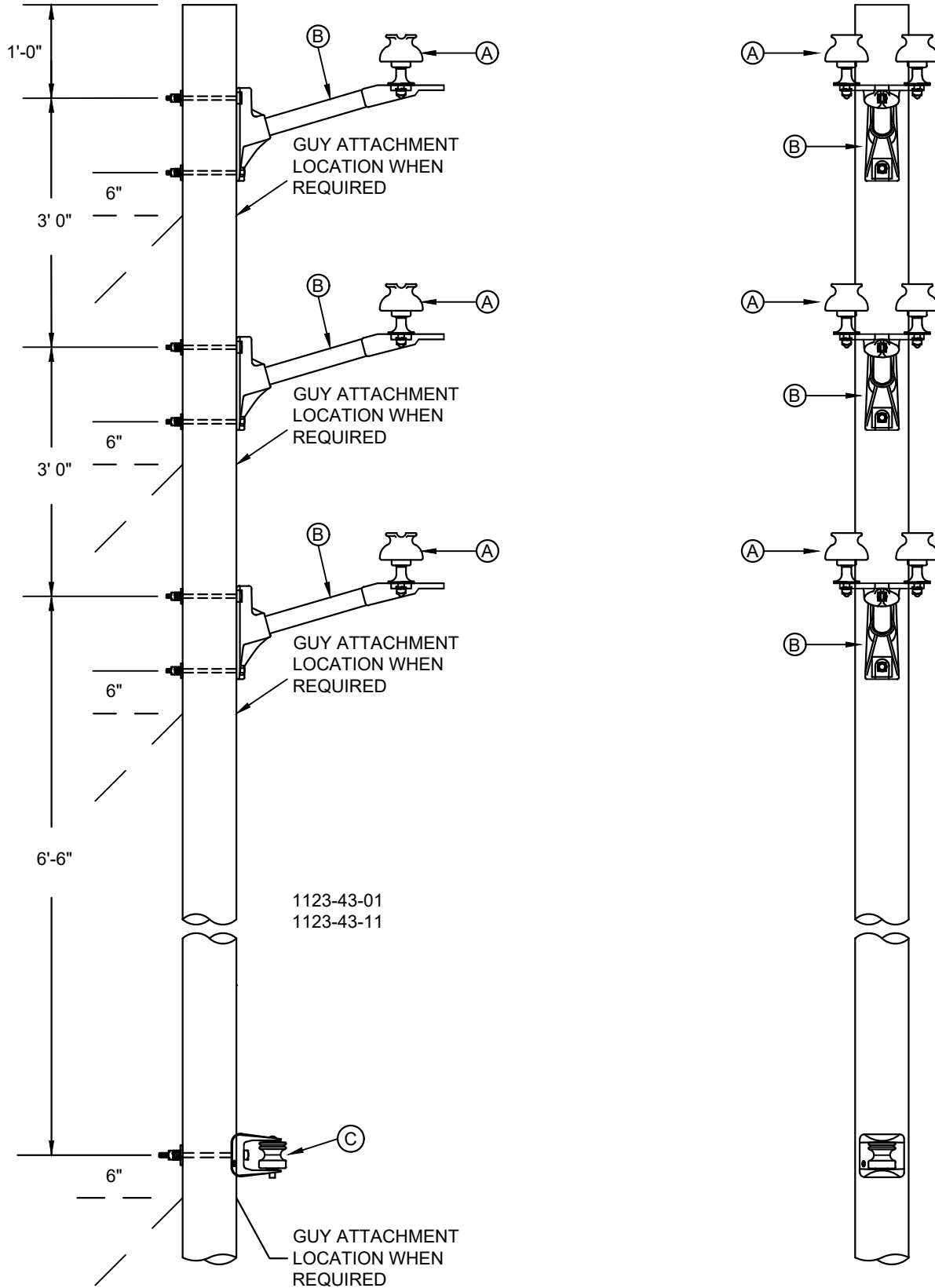


SEE 1126 ASSOCIATED MODULES

MU-REF	MU-ID	MU-DESCRIPTION
11260501	3PHVERTTANSGLPNSGLNU	3PH VERTICAL TANGENT W/SGL PIN SGL NEUT
11260511	3PHVERTTANDBLPNSGLNU	3PH VERTICAL TANGENT W/DBL PIN SGL NEUT
11260521	3PHVERTANGSGLPNSGLNU	3PH VERTICAL ANGLE W/SGL PIN SGL NEUT
11260531	3PHVERTANGDBLPNSGLNU	3PH VERTICAL ANGLE W/DBL PIN SGL NEUT
11260541	3PHVERTTANSGLPNSGLNU-CC	3PH VERTICAL TANGENT W/SGL PIN SGL NEUT - CC
11260551	3PHVERTTANDBLPNSGLNU-CC	3PH VERTICAL TANGENT W/DBL PIN SGL NEUT - CC
11260561	3PHVERTANGSGLPNSGLNU-CC	3PH VERTICAL ANGLE W/SGL PIN SGL NEUT - CC
11260571	3PHVERTANGDBLPNSGLNU-CC	3PH VERTICAL ANGLE W/DBL PIN SGL NEUT - CC

REV_DATE:

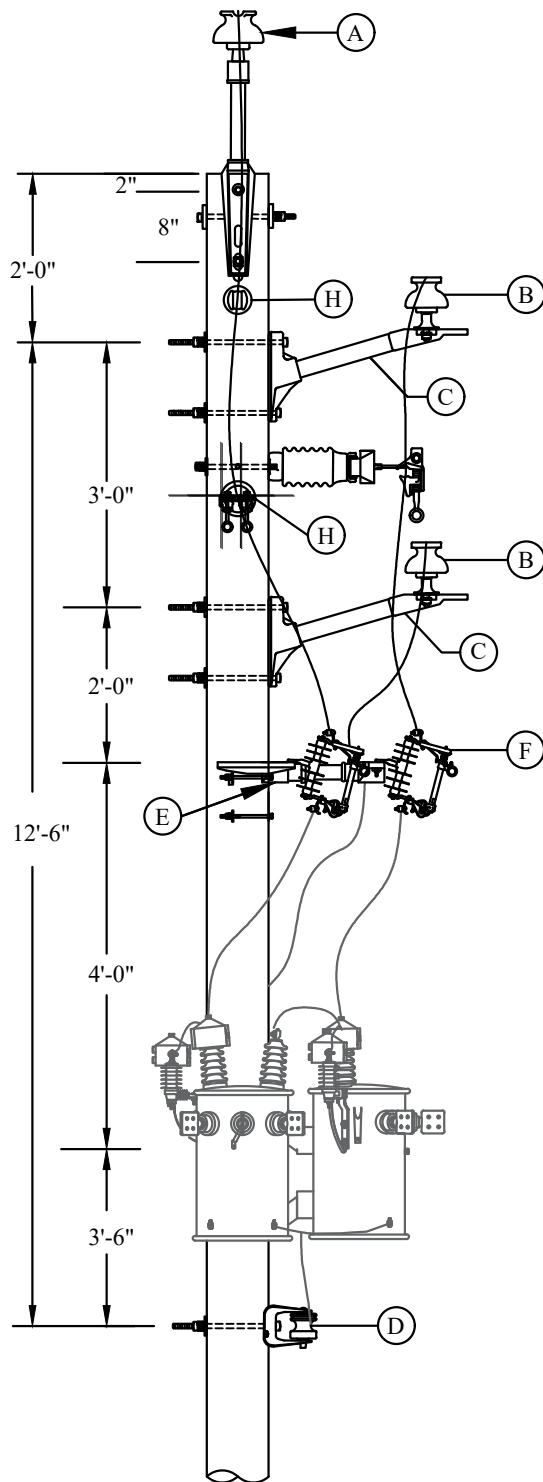
04/01/26



SEE 1126 ASSOCIATED MODULES

MU-REF	MU-ID	MU-DESCRIPTION
11260601	3PHVERTTANANGALT	3PH VERTICAL TANGENT / ANGLE ALTERNATIVE
11260611	3PHVERTTANANGALT-CC	3PH VERTICAL TANGENT / ANGLE ALTERNATIVE - CC

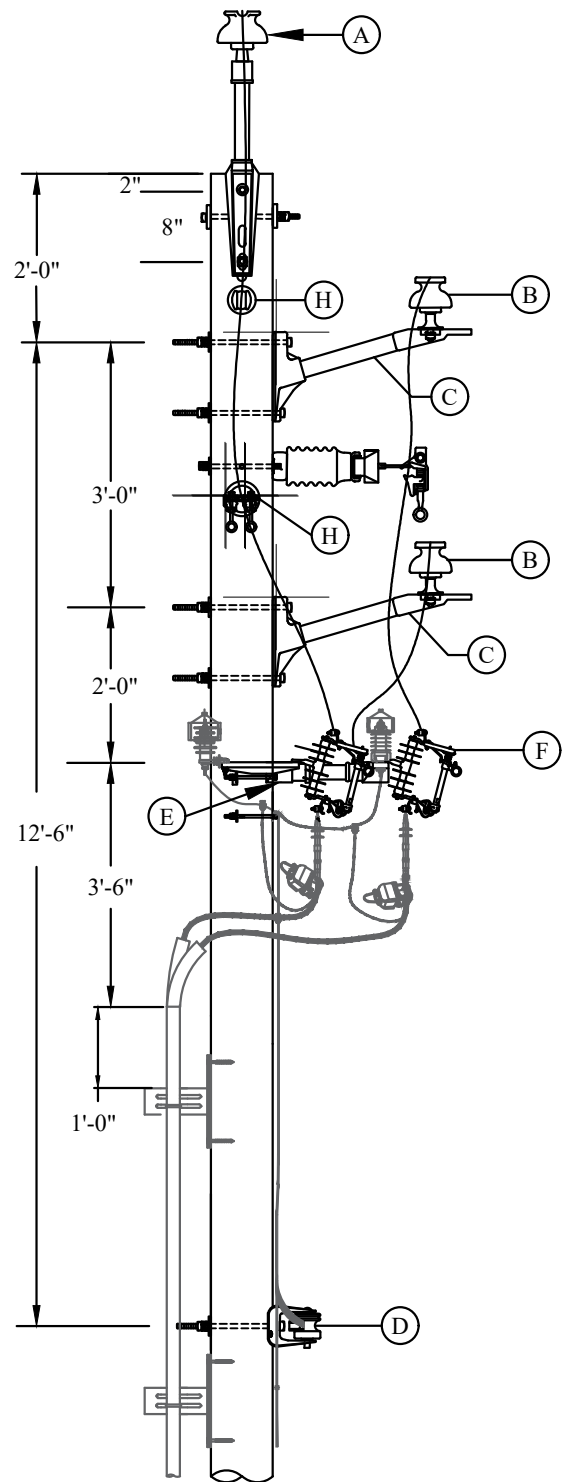
REV_DATE:
04/01/26



NOTE: PART "G"
INCLUDES BOTH
THE INSULATOR
AND THE STIRRUP.

NOTE: TOP SIDE
SWITCH USE #2
TINNED.

NOTE: IF STEEL
POLE, USE
FIBERGLASS
ROADSIDE
PREFERRED
FOR INSIDE ANGLE

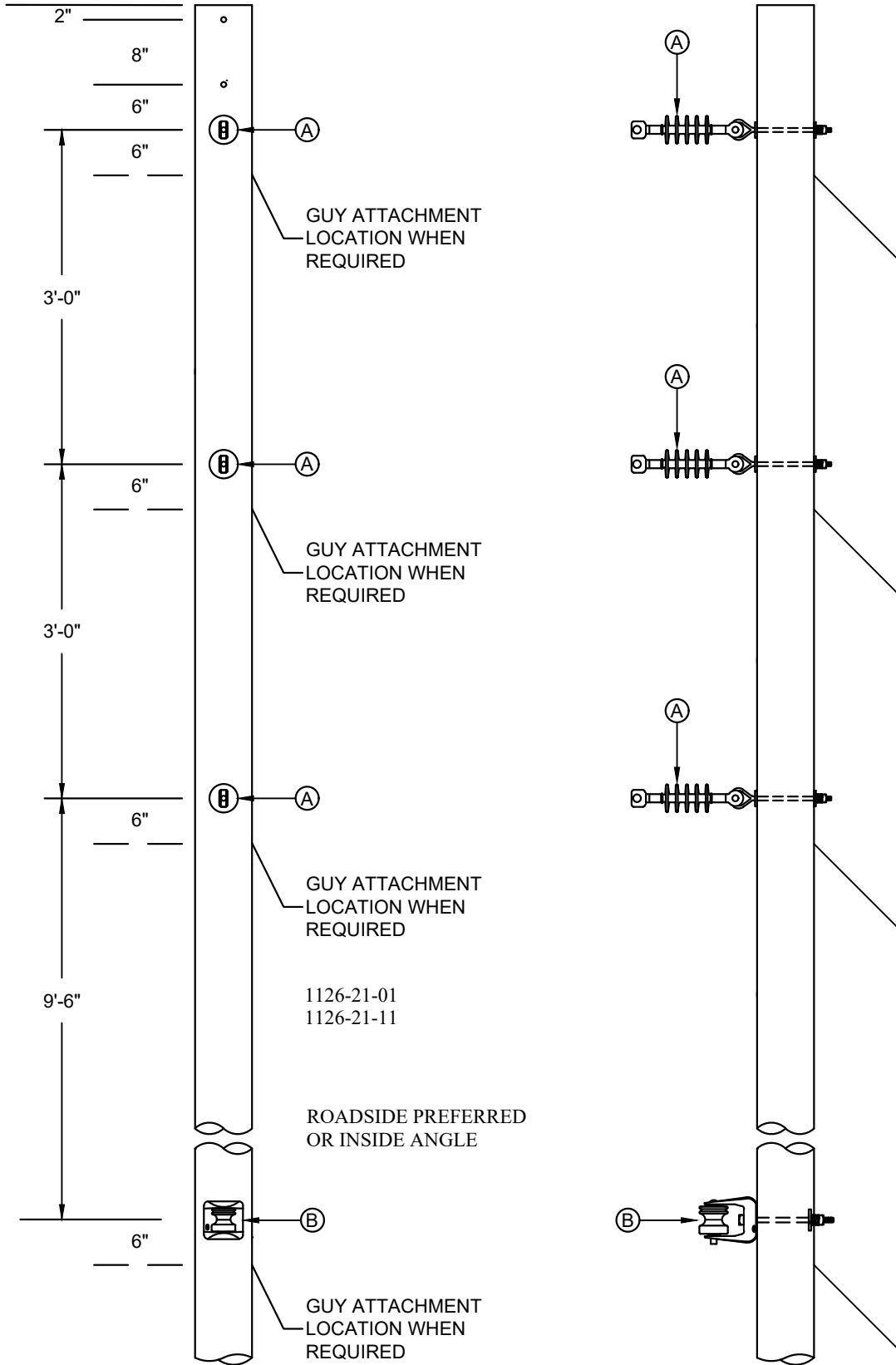


SEE 1126 ASSOCIATED MODULES

MU-REF	MU-ID	MU-DESCRIPTION
11260701	3PHVERTTAN1PINW/APPARATUS	3PHASE TANGENT 1 PIN WITH APPARATUS
11260711	3PHVERTTAN1PINW/APP-CC	3PH - VERTICAL TANGENT/ANGLE W/APPARATUS - CC

REV_DATE:

04/01/26



1126-21-01
1126-21-11

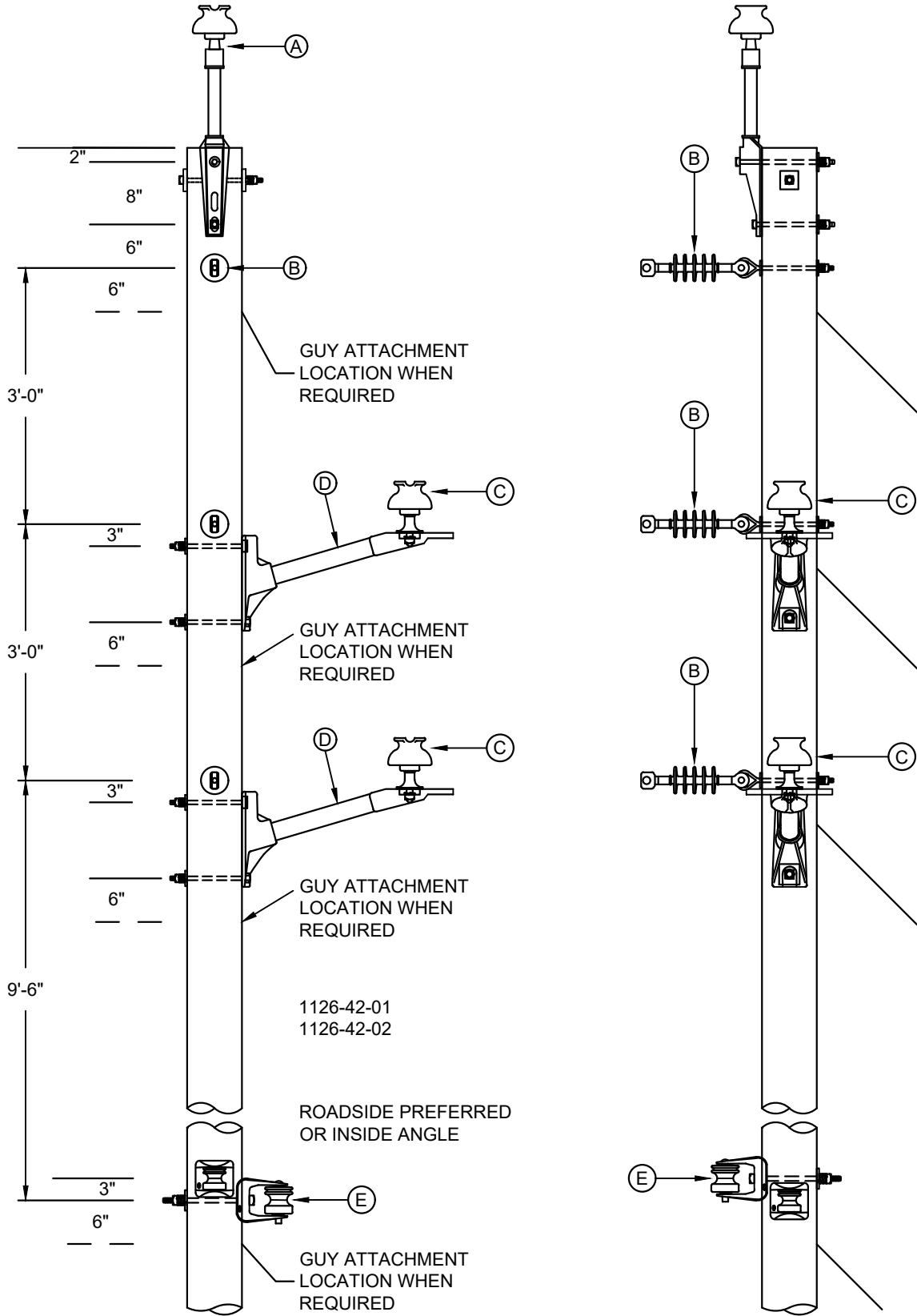
ROADSIDE PREFERRED
OR INSIDE ANGLE

SEE 1126 ASSOCIATED MODULES

MU-REF	MU-ID	MU-DESCRIPTION
11262101	3PHVERTSDE	3PH VERTICAL DEADEND
11262111	3PHVERTSDE-CC	3PH VERTICAL DEADEND - CC

REV_DATE:

04/01/26



1126-42-01
1126-42-02

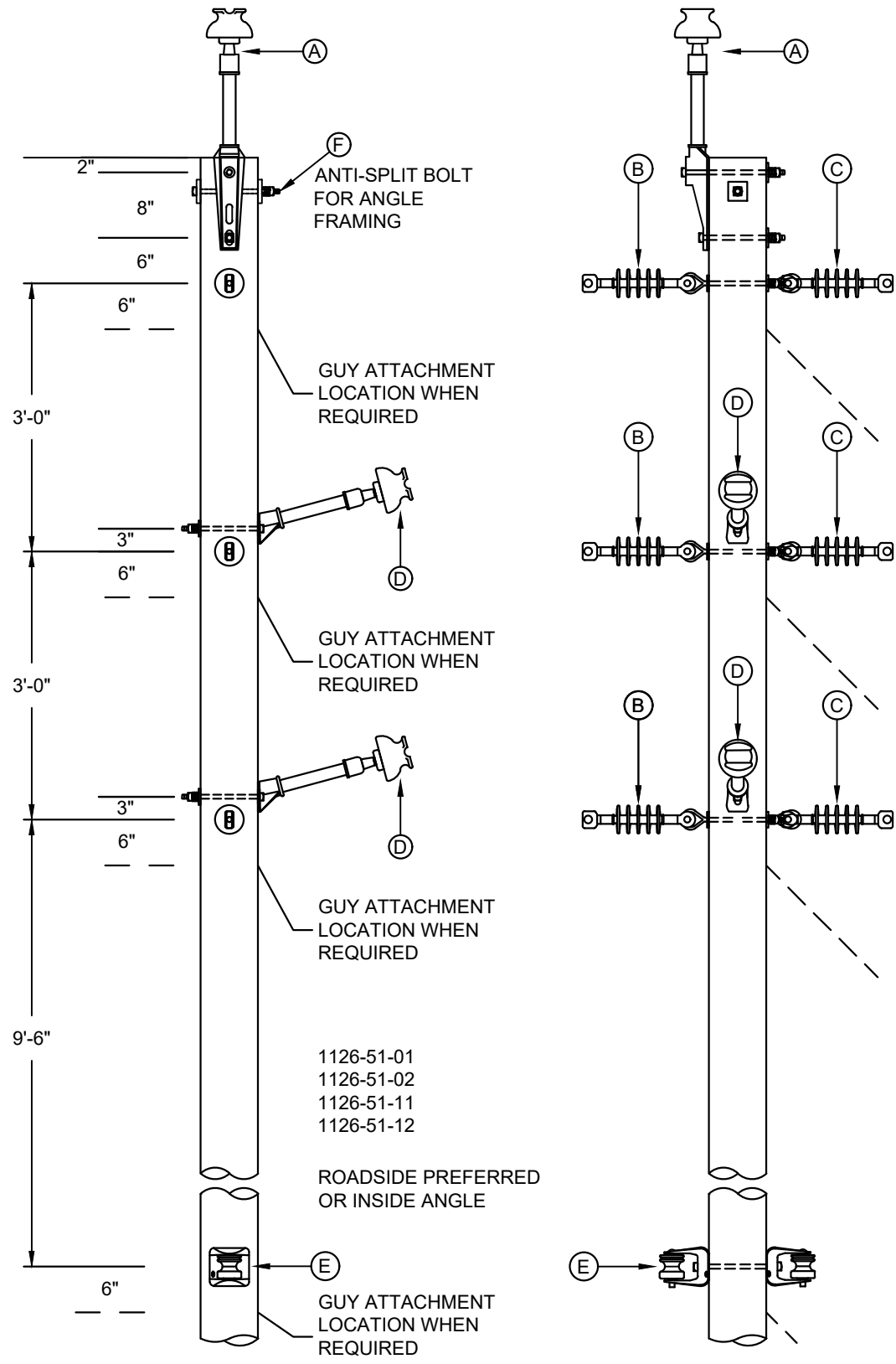
ROADSIDE PREFERRED
OR INSIDE ANGLE

SEE 1126 ASSOCIATED MODULES

MU-REF	MU-ID	MU-DESCRIPTION
11264201	3PHVERTSDERTN	3PH VERTICAL DEADEND/REDUCED TENSION
11264202	3PHEXVERTSDERTN	3PH EXIST VERT. DE/REDUCED TENSION

REV_DATE:

04/01/26

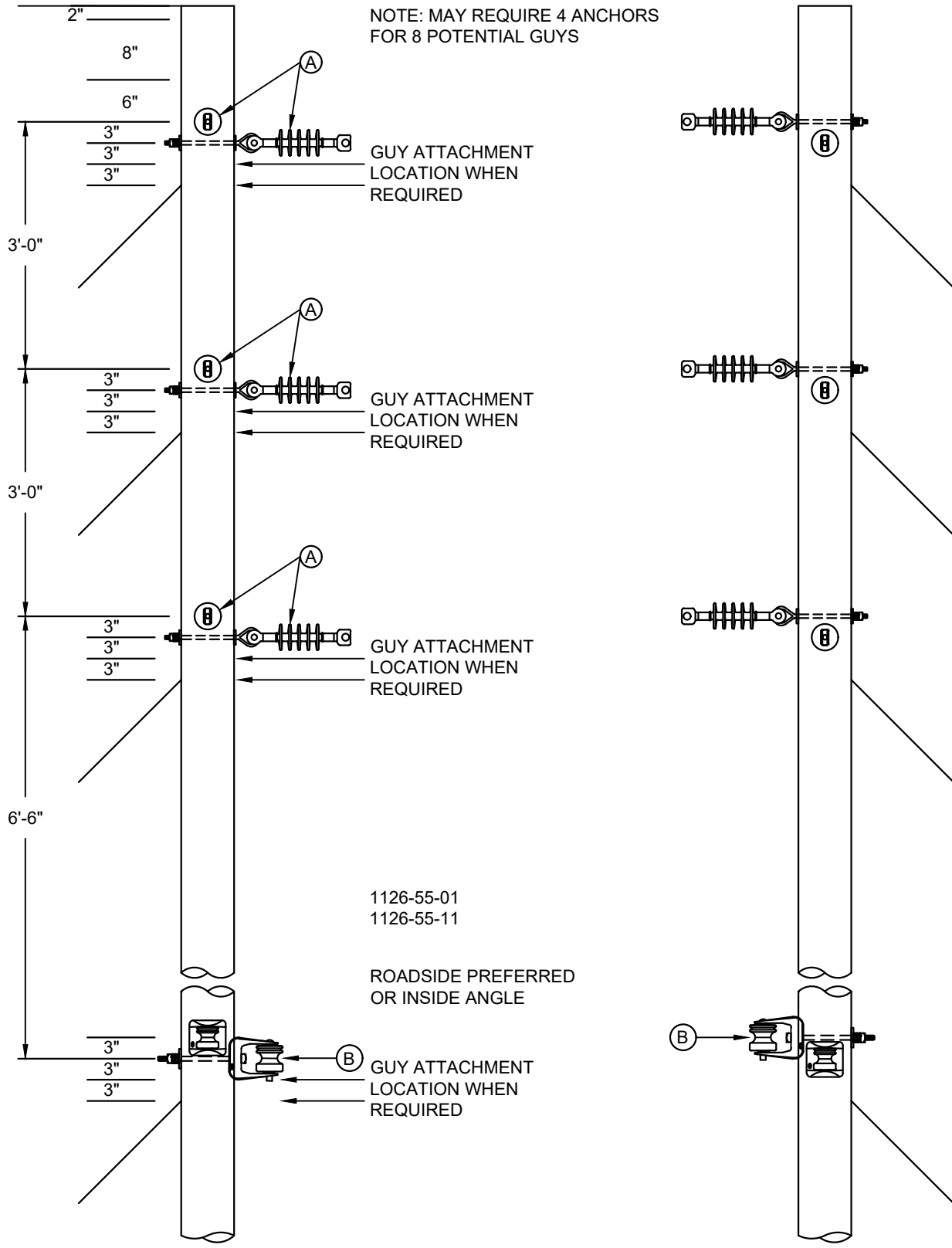


SEE 1126 ASSOCIATED MODULES

MU-REF	MU-ID	MU-DESCRIPTION
11265101	3PHVERTDBLDE	3PH VERTICAL DBL DE
11265102	3PHVERTDBLDEANGLE	3PH VERT. DBL DE/ANGLE
11265111	3PHVERTDBLDE-CC	3PH VERTICAL DBL DE - CC
11265112	3PHVERTDBLDEANGLE-CC	3PH VERT. DBL DE/ANGLE - CC

REV_DATE:

04/01/26

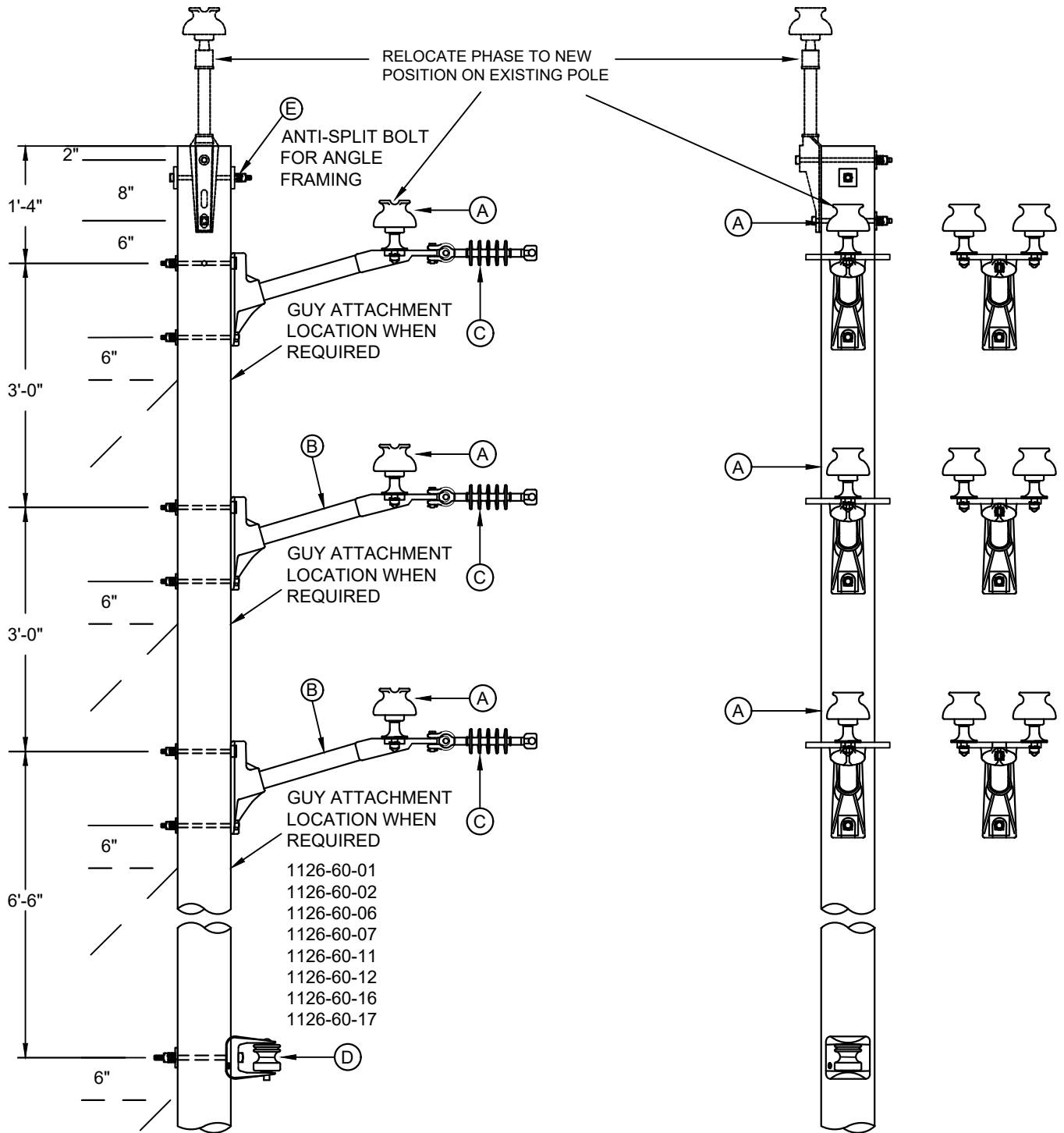


SEE 1126 ASSOCIATED MODULES

MU-REF	MU-ID	MU-DESCRIPTION
11265501	3PHVERTDECN	3PH VERTICAL DE CORNER POLE
11265511	3PHVERTDECN-CC	3PH VERTICAL DE CORNER POLE- CC

REV_DATE:

04/01/26



SEE 1126 ASSOCIATED MODULES

MU-REF	MU-ID	MU-DESCRIPTION
11266001	3PHVERTTANGLPNW/JUNC	3PH VERT TANGENT SGL PIN W/JUNCTION
11266002	3PHVERTTANDBLPNW/JUNC	3PH VERT TANGENT DBL PIN W/JUNCTION
11266006	3PHEXVERTTANGLPNW/JUNC	3PH EXISTING VERT TANGENT SGL PIN W/JUNCTION
11266007	3PHEXVERTTANDBLPNW/JUNC	3PH EXISTING VERT TANGENT DBL PIN W/JUNCTION
11266011	3PHVERTTANGLPNW/JUNC-CC	3PH VERT TANGENT SGL PIN W/JUNCTION - CC
11266012	3PHVERTTANDBLPNW/JUNC-CC	3PH VERT TANGENT DBL PIN W/JUNCTION - CC
11266016	3PHEXVERTTANGLPNW/JUNC-CC	3PH EXISTING VERT TANGENT SGL PIN W/JUNCTION - CC
11266017	3PHEXVERTTANDBLPNW/JUNC-CC	3PH EXISTING VERT TANGENT DBL PIN W/JUNCTION - CC