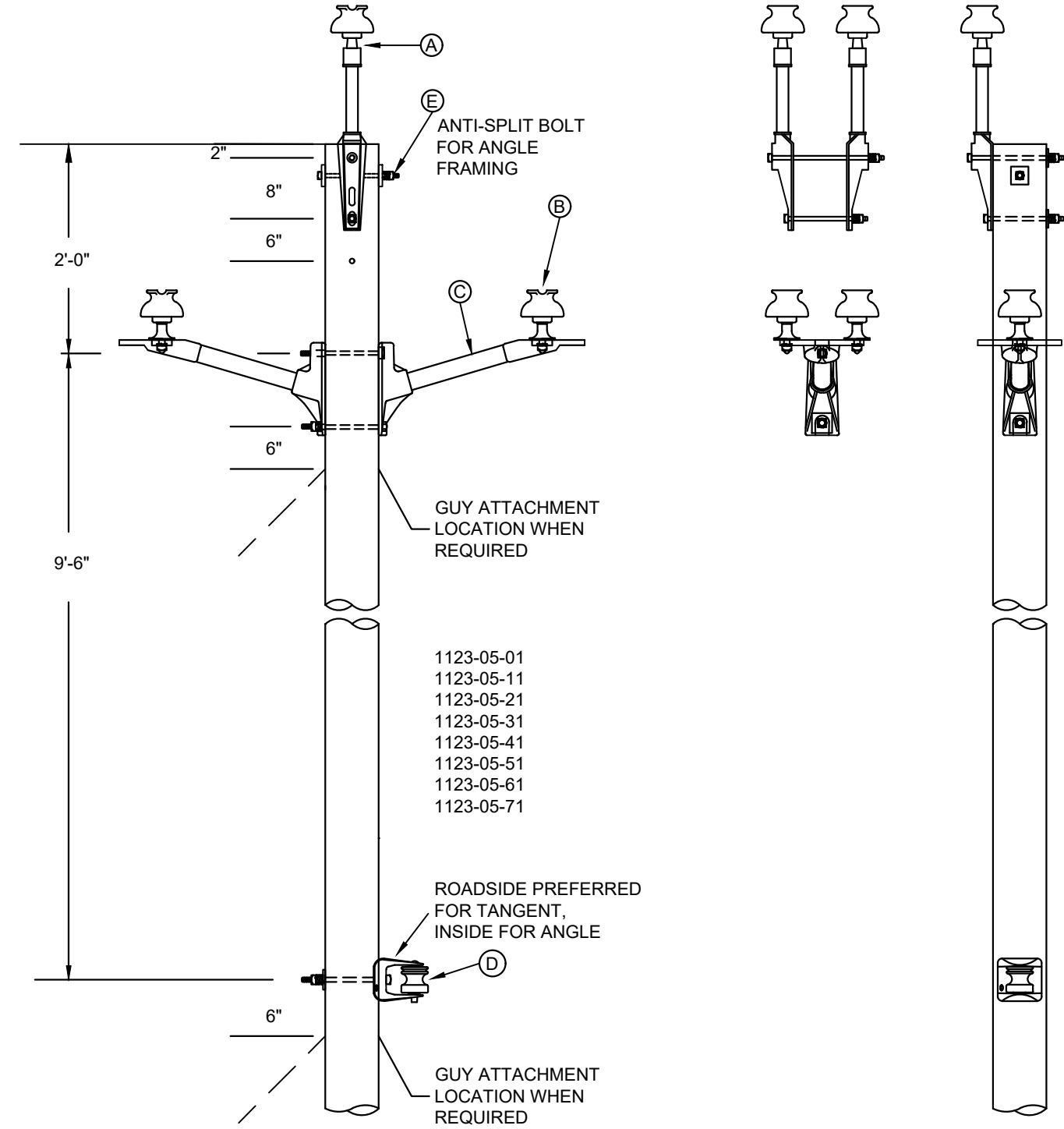


1123

3PH NARROW PROFILE FRAMING

CONTAINS

- 1123-05 3PH NP TANGENT/ANGLE
- 1123-06 3PH NP TANGENT/ANGLE 5FT XARM
- 1123-22 3PH NP SINGLE DEADEND FLAT
- 1123-30 3PH NP DOUBLE DEADEND FLAT
- 1123-32 3PH NP JUNCTION FLAT
- 1123-42 3PH NP SINGLE DEADEND JUNCTION FLAT

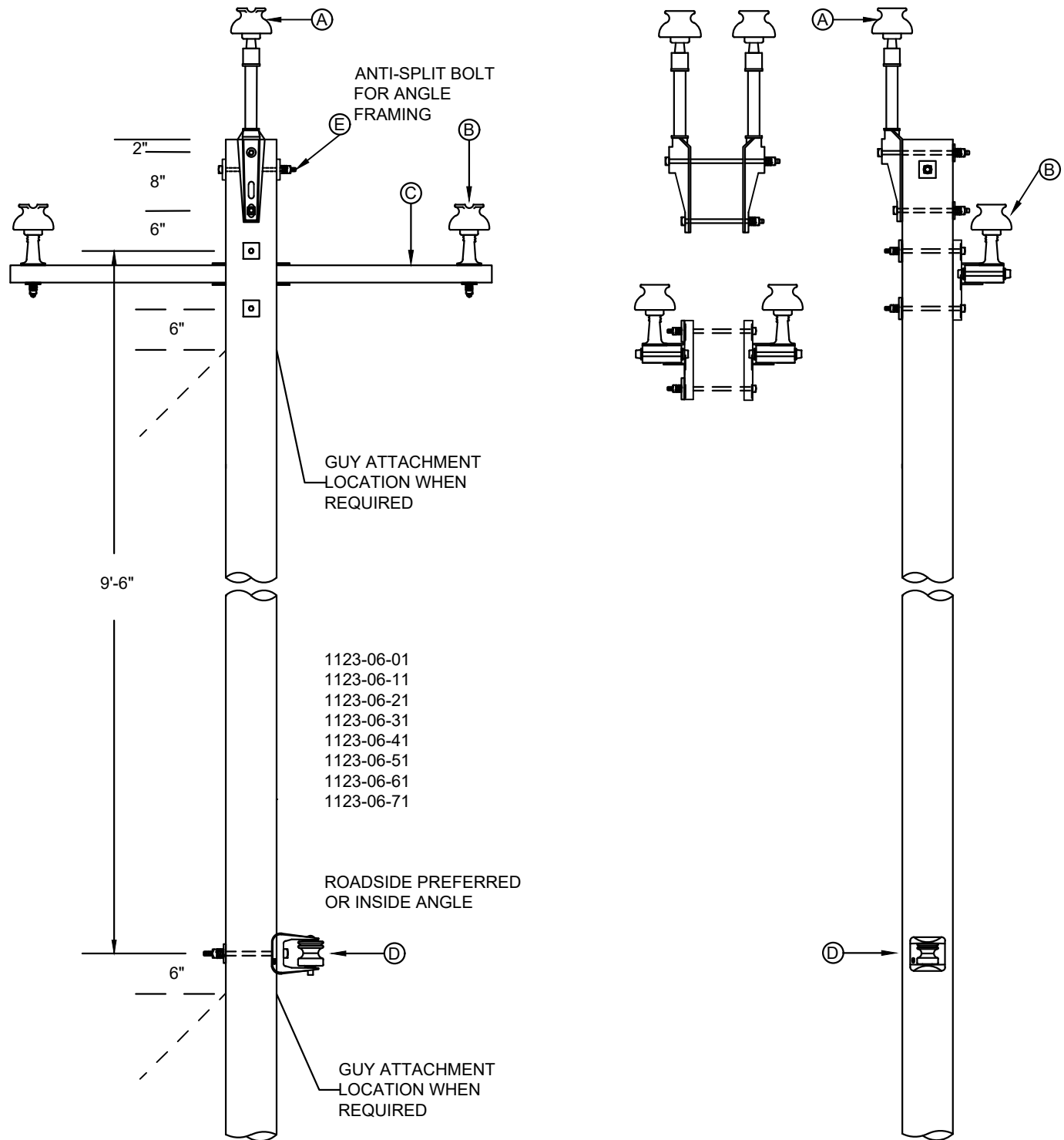


SEE 1123 ASSOCIATED MODULES

MU-REF	MU-ID	MU-DESCRIPTION
11230501	3PHNPANSGLPNSGLNU	3PH NP TAN W/SGL PIN SGL NEUT
11230511	3PHNPANDBLPNSGLNU	3PH NP TAN W/DBL PIN SGL NEUT
11230521	3PHNPANGSGLPNSGLNU	3PH NP ANG W/SGL PIN SGL NEUT
11230531	3PHNPANGDBLPNSGLNU	3PH NP ANG W/DBL PIN SGL NEUT
11230541	3PHNPANSGLPNSGLNU-CC	3PH NP TAN W/SGL PIN SGL NEUT - CC
11230551	3PHNPANDBLPNSGLNU-CC	3PH NP TAN W/DBL PIN SGL NEUT - CC
11230561	3PHNPANGSGLPNSGLNU-CC	3PH NP ANG W/SGL PIN SGL NEUT - CC
11230571	3PHNPANGDBLPNSGLNU-CC	3PH NP ANG W/DBL PIN SGL NEUT - CC

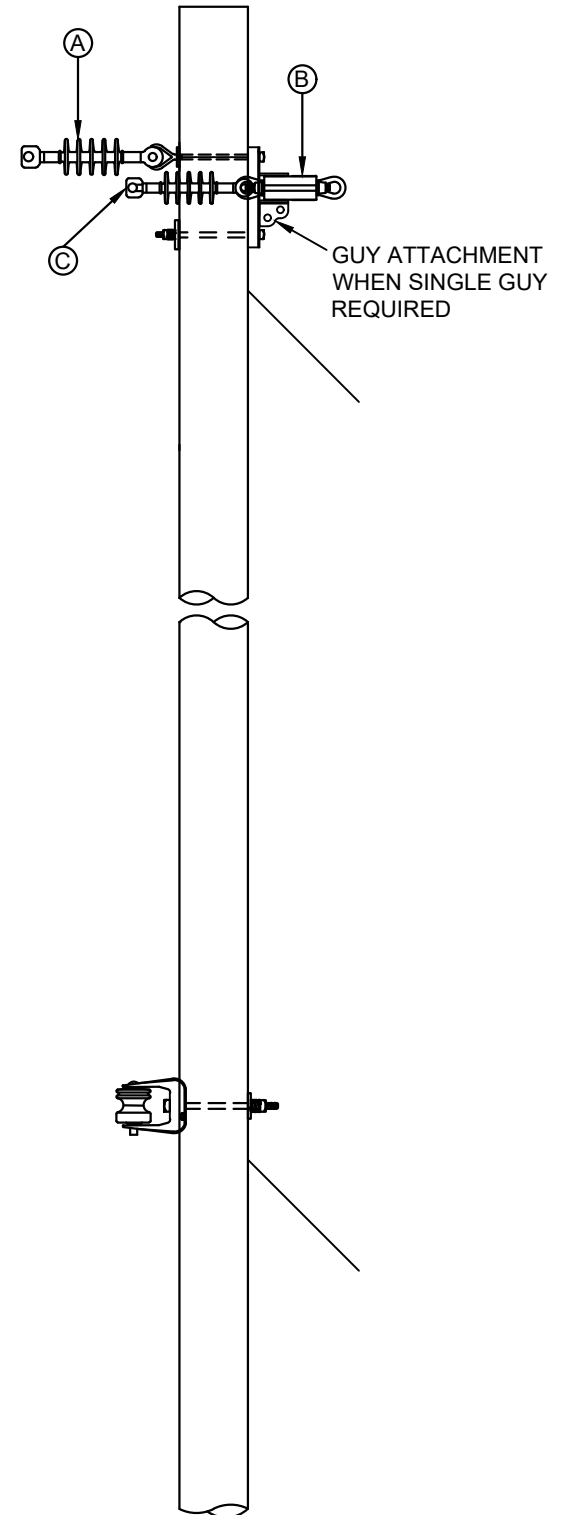
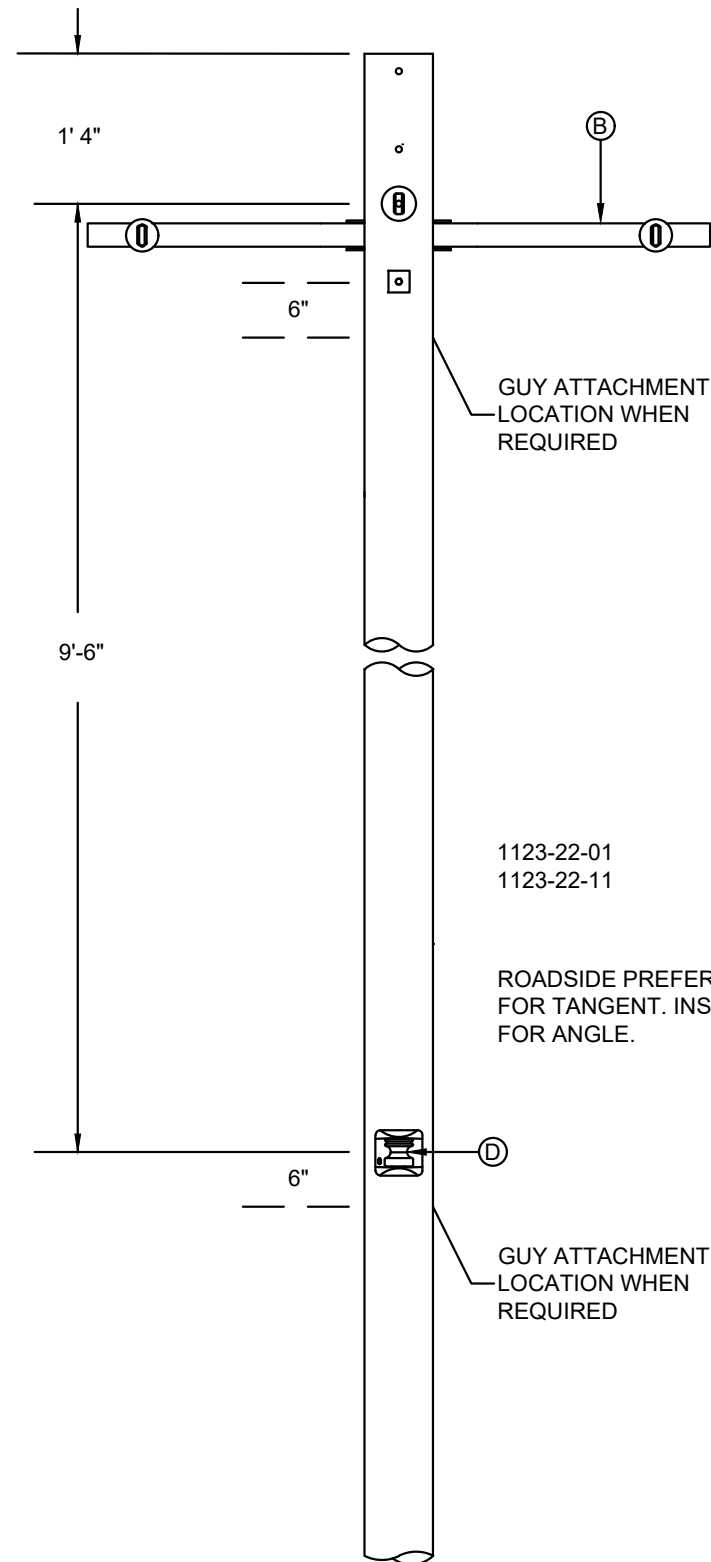
REV_DATE:

04/01/26



SEE 1123 ASSOCIATED MODULES

MU-REF	MU-ID	MU-DESCRIPTION
11230601	3PHNPANSGLPNSGLNU5FT	3PH NP TAN W/SGL PIN SGL NEUT 5FT ARM
11230611	3PHNPANDBLPNSGLNU5FT	3PH NP TAN W/DBL PIN SGL NEUT 5FT ARM
11230621	3PHNPANGSGLPNSGLNU5FT	3PH NP ANG W/SGL PIN SGL NEUT 5FT ARM
11230631	3PHNPANGDBLPNSGLNU5FT	3PH NP ANG W/DBL PIN SGL NEUT 5FT ARM
11230641	3PHNPANSGLPNSGLNU5FT-CC	3PH NP TAN W/SGL PIN SGL NEUT 5FT ARM - CC
11230651	3PHNPANDBLPNSGLNU5FT-CC	3PH NP TAN W/DBL PIN SGL NEUT 5FT ARM - CC
11230661	3PHNPANGSGLPNSGLNU5FT-CC	3PH NP ANG W/SGL PIN SGL NEUT 5FT ARM - CC
11230671	3PHNPANGDBLPNSGLNU5FT-CC	3PH NP ANG W/DBL PIN SGL NEUT 5FT ARM - CC



1123-22-01
1123-22-11

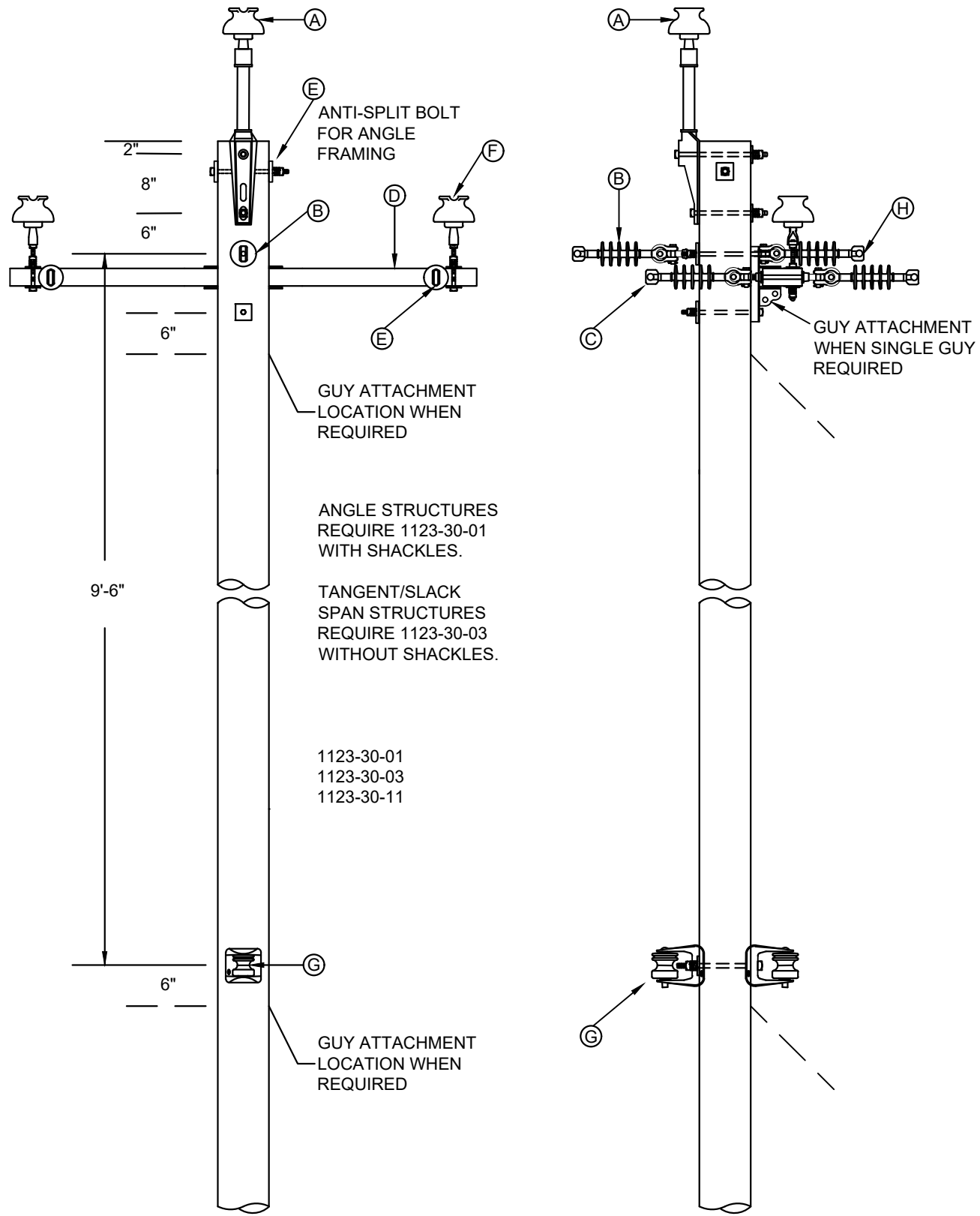
ROADSIDE PREFERRED
FOR TANGENT. INSIDE
FOR ANGLE.

SEE 1123 ASSOCIATED MODULES

MU-REF	MU-ID	MU-DESCRIPTION
11232201	3PHNPSDEFLT	3PH NP SGL DE FLAT
11232211	3PHNPSDEFLT-CC	3PH NP SGL DE FLAT - CC

REV_DATE:

04/01/26

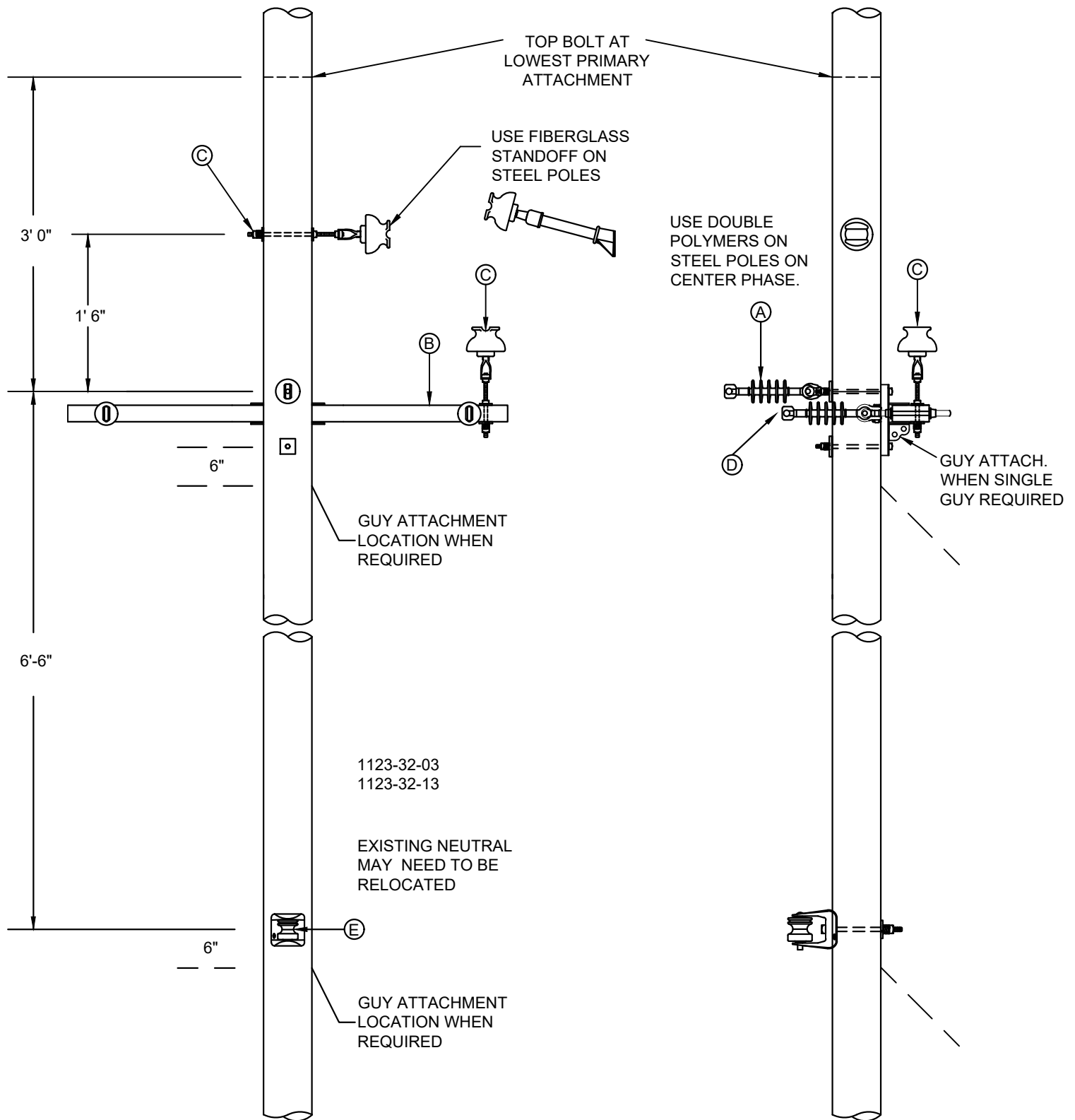


SEE 1123 ASSOCIATED MODULES

MU-REF	MU-ID	MU-DESCRIPTION
11233001	3PHNPDDEFLTANG	3PH NP DBL DE FLAT ANGLE
11233003	3PHNPDDEFLTRTN	3PH NP DBL DE FLAT/REDUCED TEN
11233011	3PHNPDDEFLTANGRTN-CC	3PH NP DBL DE FLAT ANGLE/ REDUCED TEN - CC

REV_DATE:

04/01/26

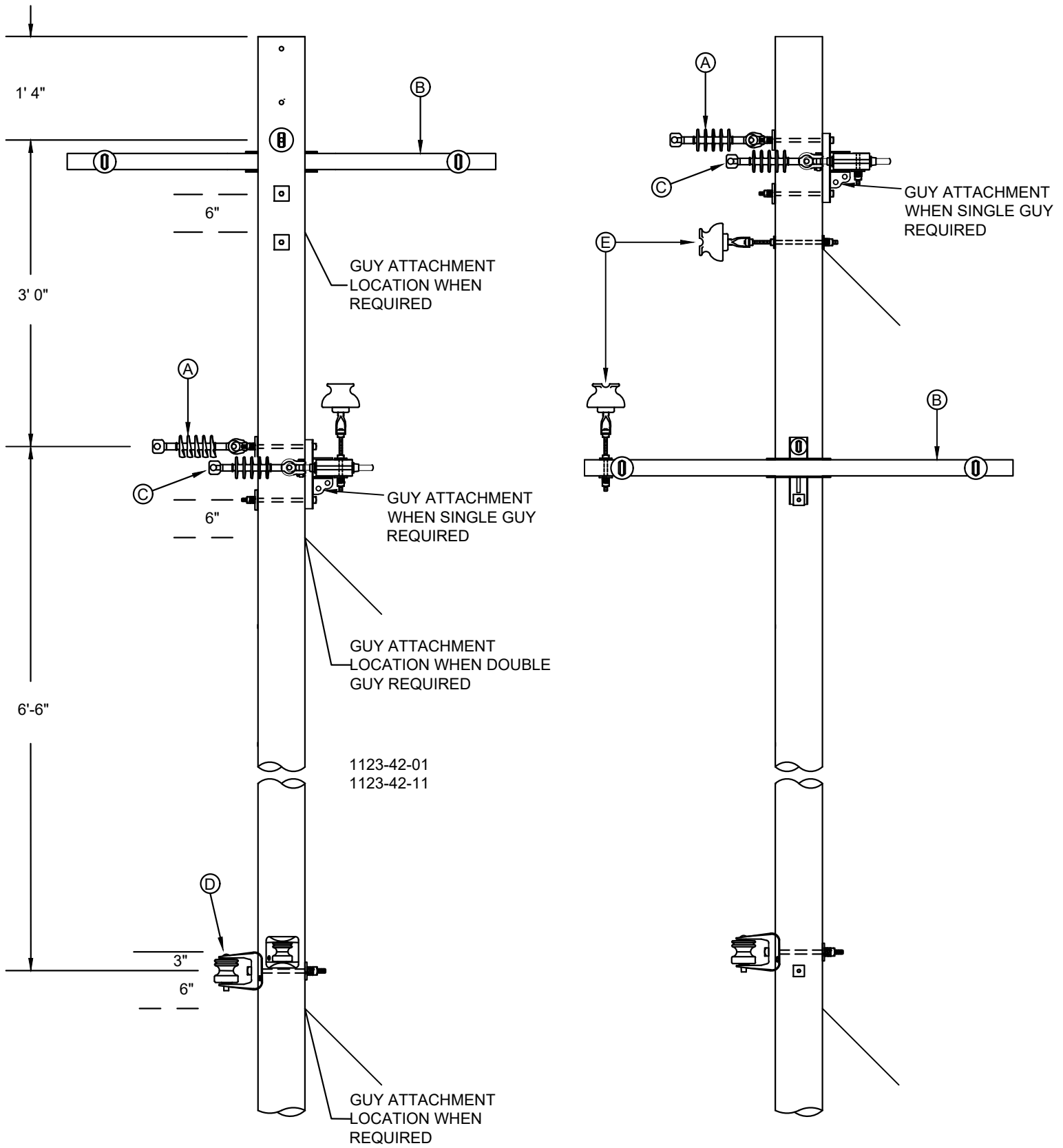


SEE 1123 ASSOCIATED MODULES

MU-REF	MU-ID	MU-DESCRIPTION
11233203	3PHNPSDEFLTJN	3PH NP SGL DE FLAT/JUNC
11233213	3PHNPSDEFLTJN-CC	3PH NP SGL DE FLAT/JUNC - CC

REV_DATE:

04/01/26



SEE 1123 ASSOCIATED MODULES

MU-REF	MU-ID	MU-DESCRIPTION
11234201	3PHNPSDEFCN	3PH NP SGL DE FLAT CORNER
11234211	3PHNPSDEFCN-CC	3PH NP SGL DE FLAT CORNER - CC