

1122

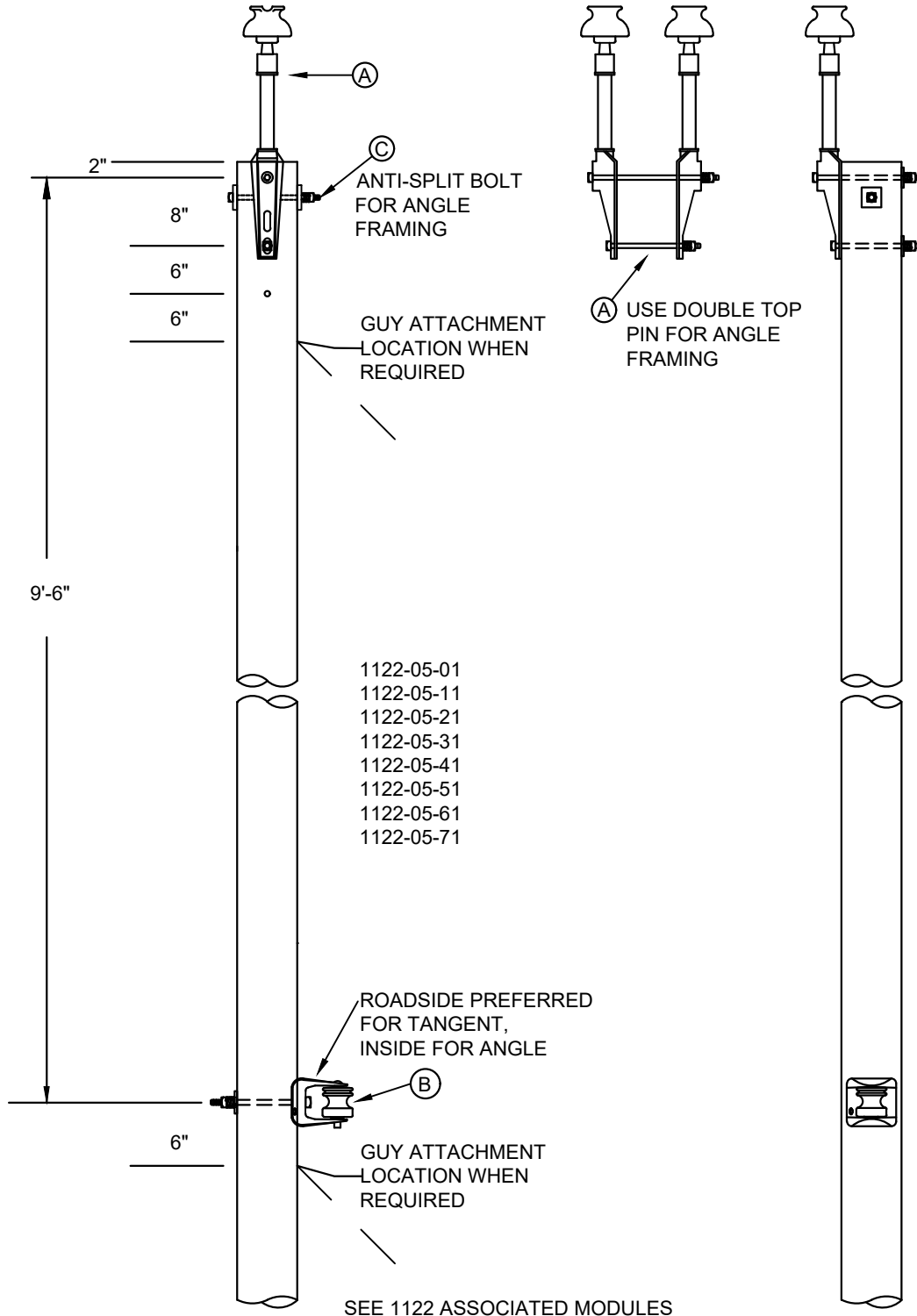
1PH FRAMING

CONTAINS

- 1122-05 1PH TANGENT/ANGLE
- 1122-15 1PH DEADEND CORNER
- 1122-21 1PH SINGLE DEADEND
- 1122-51 1PH DOUBLE DEADEND
- 1122-61 1PH JUNCTION
- 1122-62 1PH JUNCTION W/FUSE

REV_DATE:

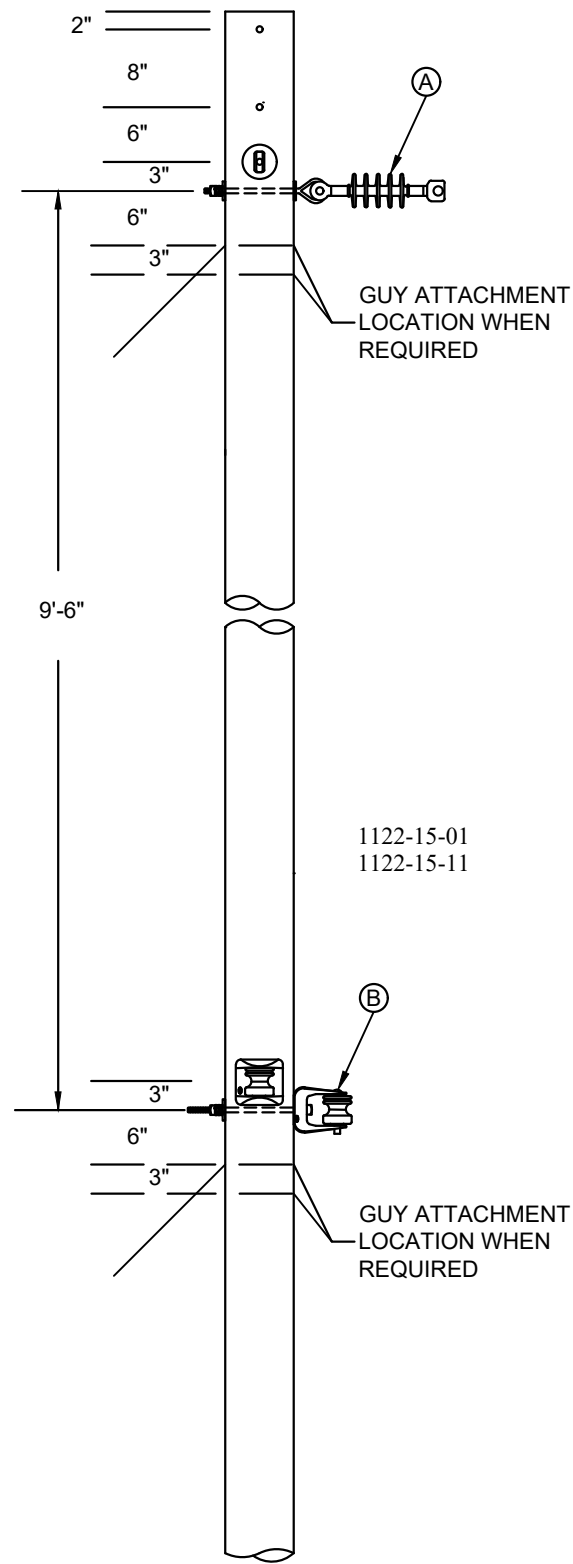
04/01/26



MU-REF	MU-ID	MU-DESCRIPTION
11220501	1PHTANSGLPNSGLNU	1 PH TAN W/SGL PIN SGL NEUT
11220511	1PHTANDBLPNSGLNU	1 PH TAN W/DBL PIN SGL NEUT
11220521	1PHANGSGLPNSGLNU	1 PH ANGLE W/SGL PIN SGL NEUT
11220531	1PHANGDBLPNSGLNU	1 PH ANGLE W/DBL PIN SGL NEUT
11220541	1PHTANSGLPNSGLNU-CC	1 PH TAN W/SGL PIN SGL NEUT - CC
11220551	1PHTANDBLPNSGLNU-CC	1 PH TAN W/DBL PIN SGL NEUT - CC
11220561	1PHANGSGLPNSGLNU-CC	1 PH ANGLE W/SGL PIN SGL NEUT - CC
11220571	1PHANGDBLPNSGLNU-CC	1 PH ANGLE W/DBL PIN SGL NEUT - CC

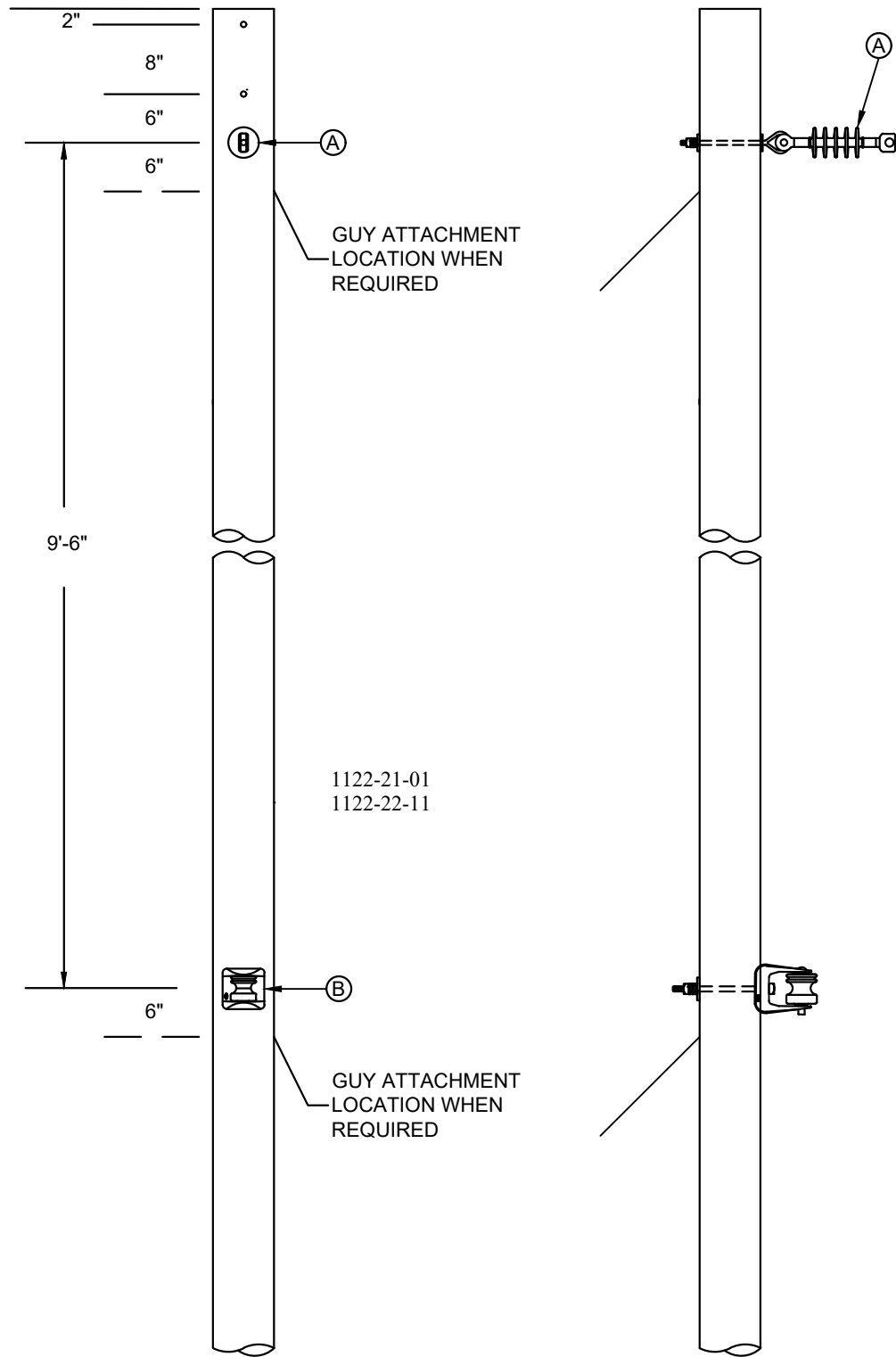
REV_DATE:

04/01/26



SEE 1122 ASSOCIATED MODULES

MU-REF	MU-ID	MU-DESCRIPTION
11221501	1PHDECN	1 PH DEAD-END CORNER
11221511	1PHDECN-CC	1 PH DEAD-END CORNER -CC

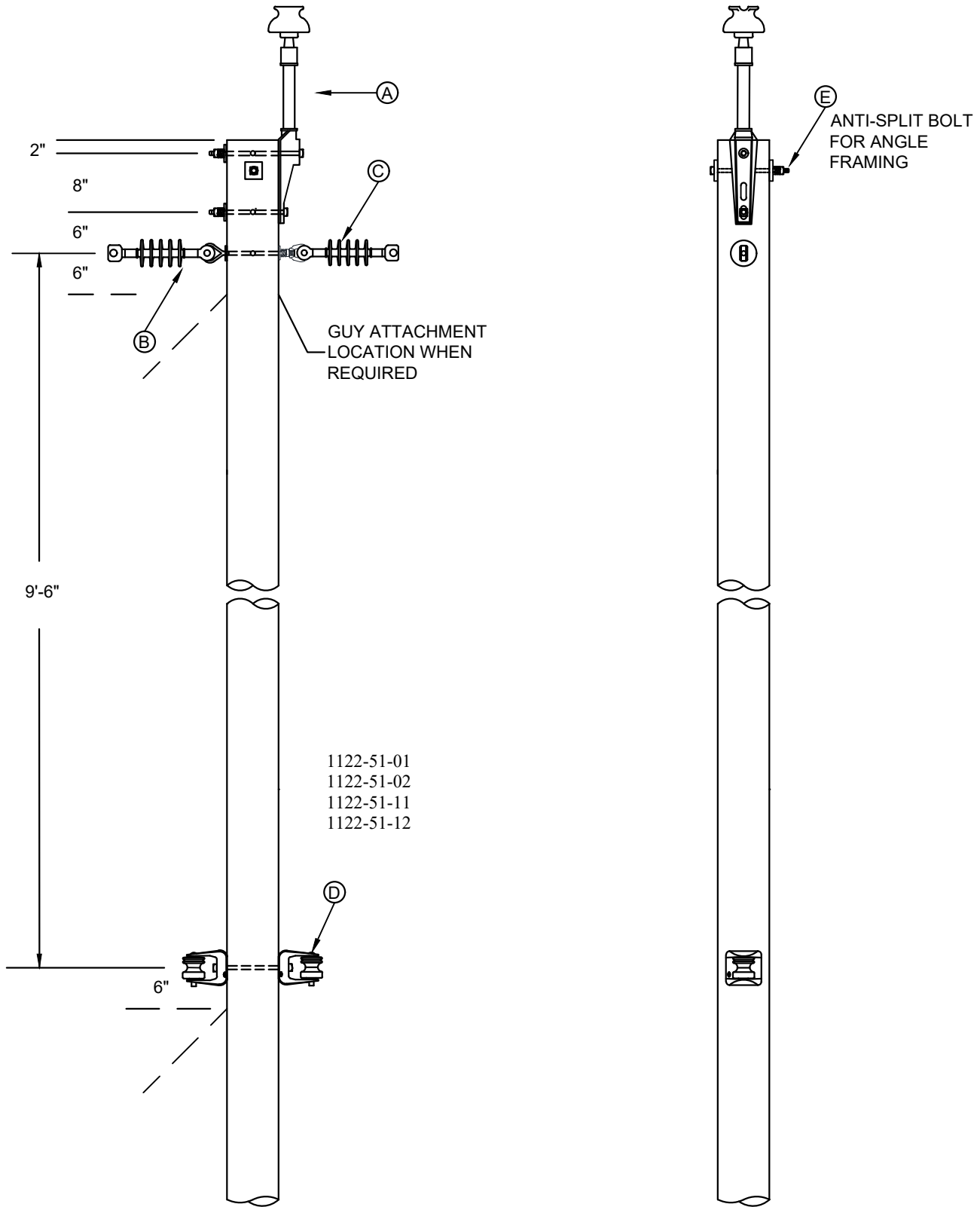


SEE 1122 ASSOCIATED MODULES

MU-REF	MU-ID	MU-DESCRIPTION
11222101	1PHSDE	1 PH SGL DEAD-END
11222111	1PHSDE-CC	1 PH SGL DEAD-END - CC

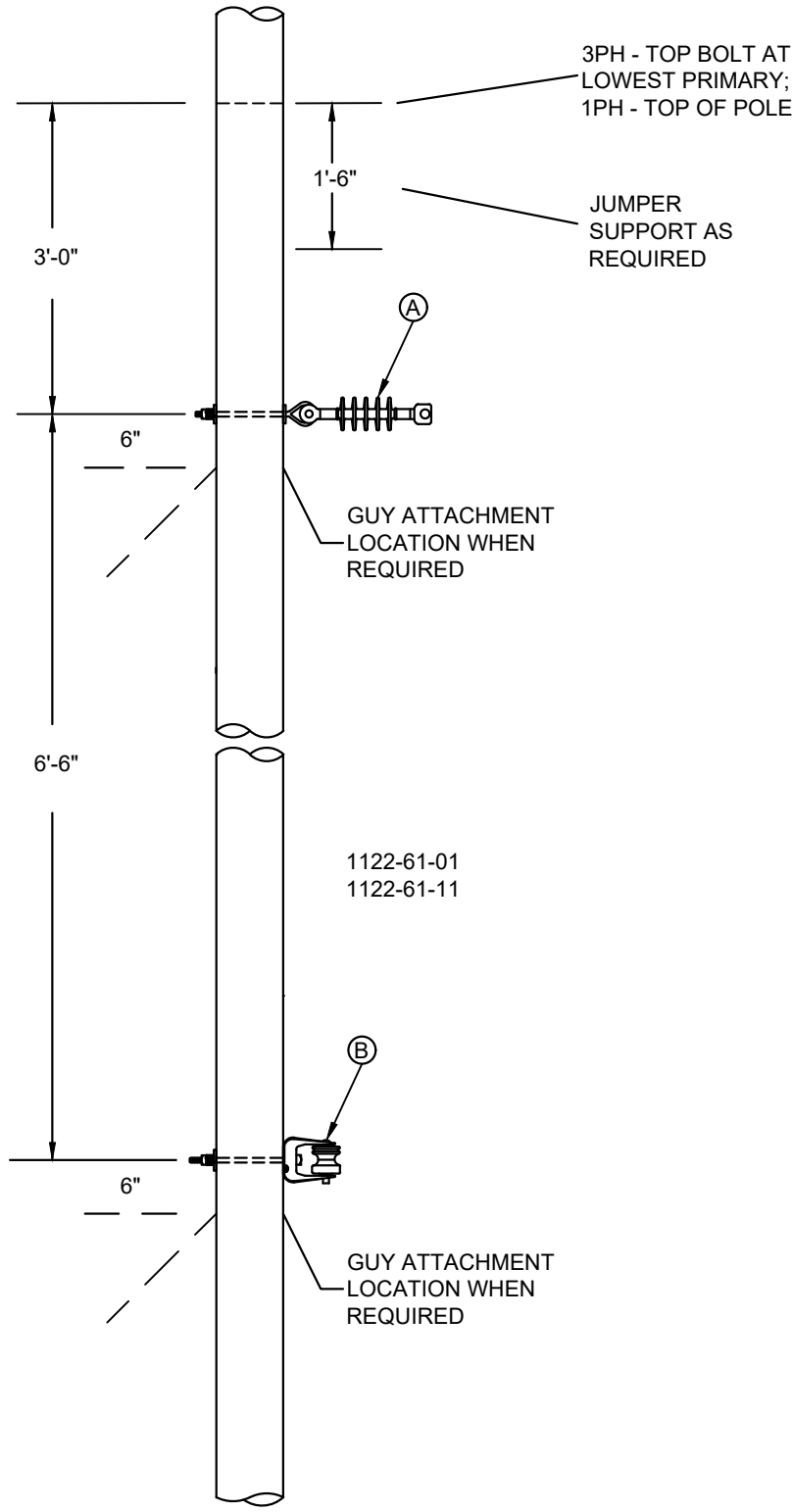
REV_DATE:

04/01/26



SEE 1122 ASSOCIATED MODULES

MU-REF	MU-ID	MU-DESCRIPTION
11225101	1PHDDE	1 PH DBL DEAD-END
11225102	1PHDDEANG	1 PH DBL DEAD-END ANGLE
11225111	1PHDDE-CC	1 PH DBL DEAD-END - CC
11225112	1PHDDEANG-CC	1 PH DBL DEAD-END ANGLE - CC

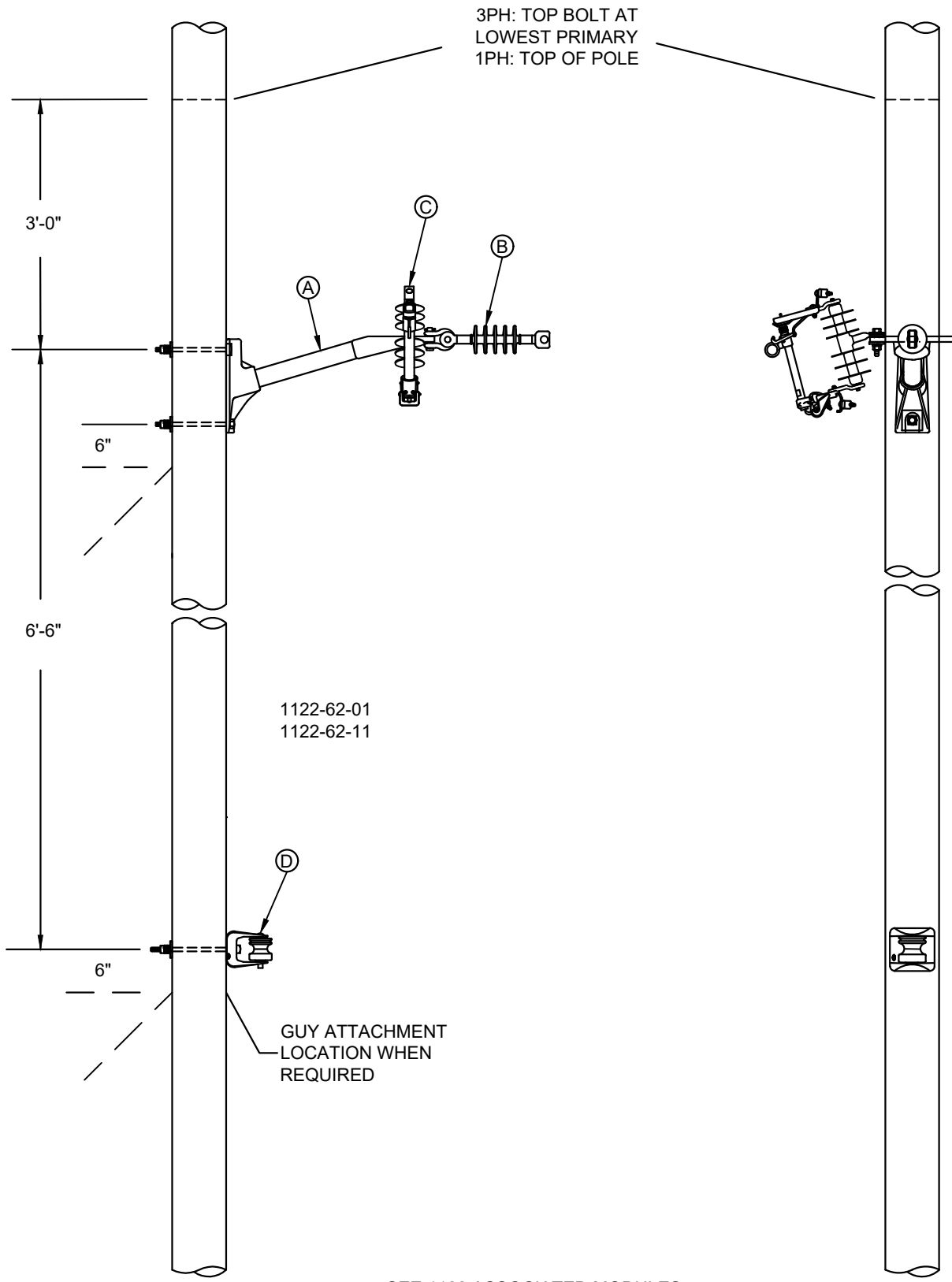


SEE 1122 ASSOCIATED MODULES

MU-REF	MU-ID	MU-DESCRIPTION
11226101	1PHJUCT	1 PH JUNCTION
11226111	1PHJUCT-CC	1 PH JUNCTION - CC

REV_DATE:

04/01/26



SEE 1122 ASSOCIATED MODULES

MU-REF	MU-ID	MU-DESCRIPTION
11226201	1PHJUCTWFUSE	1 PH JUNCTION WITH CUTOUT & FUSE
11226211	1PHJUCTWFUSE-CC	1 PH JUNCTION WITH CUTOUT & FUSE - CC