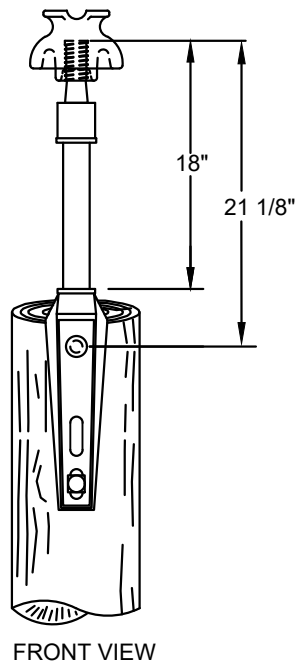


1120

HARDWARE

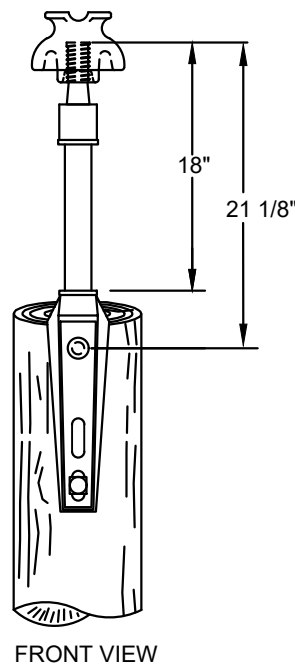
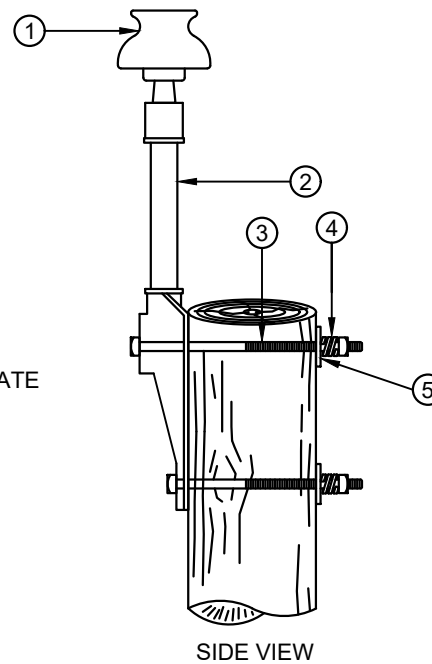
CONTAINS

- 1120-07 POLE TOP PINS - FIBERGLASS
- 1120-08 INSULATOR PIN SHORT/LONG - 15KV & 46KV
- 1120-09 INSULATOR STANDOFF PIN
- 1120-10 RACKS - NEUTRAL/XFMR/SER/SEC
- 1120-11 FIBERGLASS ARM - PRIMARY
- 1120-12 XARM BRACE WOOD 26 IN SPREAD SGL/DBL
- 1120-13 XARM BRACE WOOD 60 IN SPREAD SGL/DBL
- 1120-14 BRACE ALLEY ARM - 5'/7'
- 1120-15A XARMS LD WOOD 8'/10'
- 1120-15B XARMS FIBERGLASS 8'/10'/12'/16'
- 1120-16A HEAVY DUTY FIBERGLASS DEADEND ARMS
- 1120-16B HEAVY DUTY STEEL DEADEND ARMS
- 1120-17 INSULATOR DEADEND - SINGLE
- 1120-18 INSULATOR DEADEND - DOUBLE

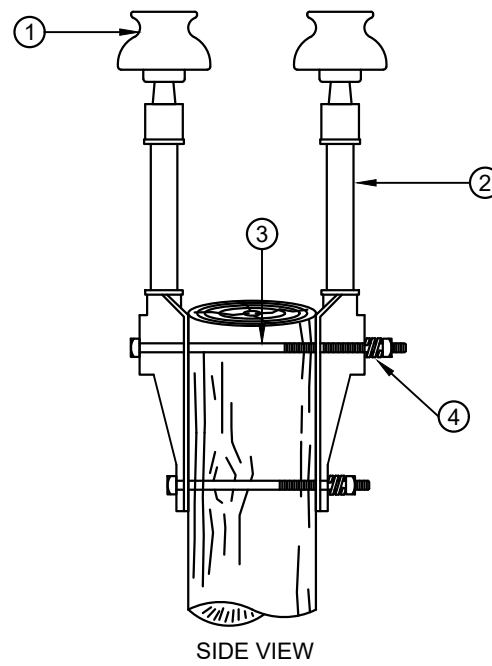


MOUNTING HOLES TO ACCOMMODATE BOTH 6" AND 8" CENTERS

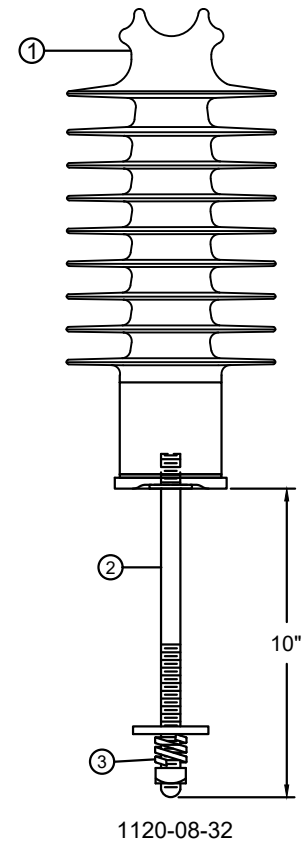
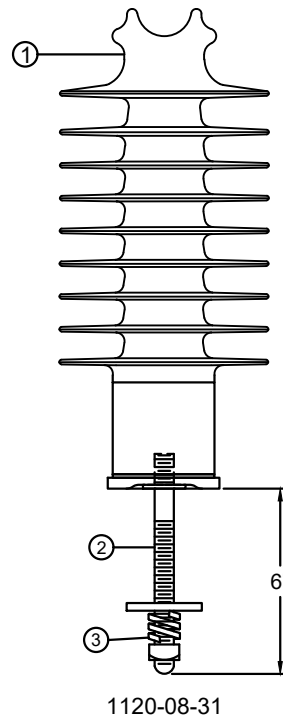
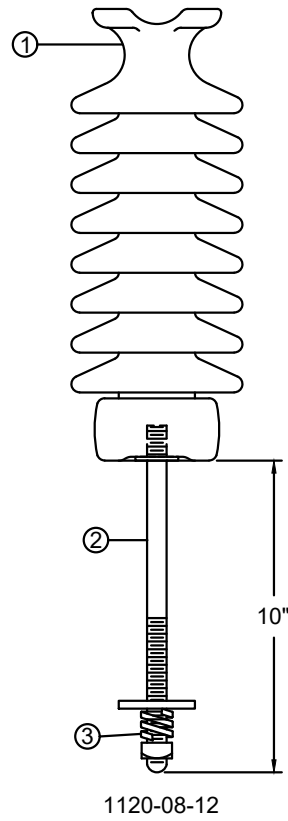
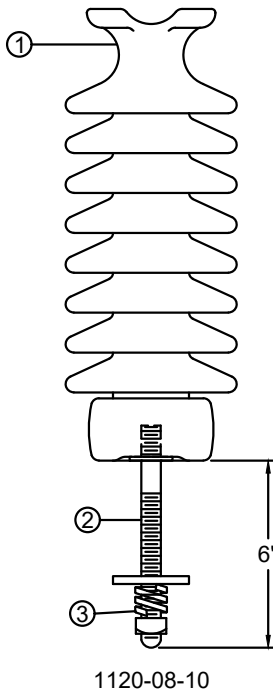
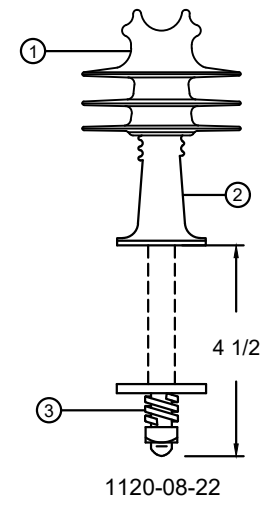
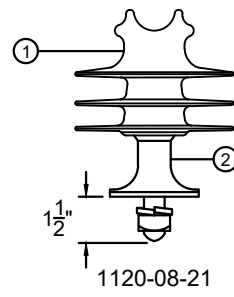
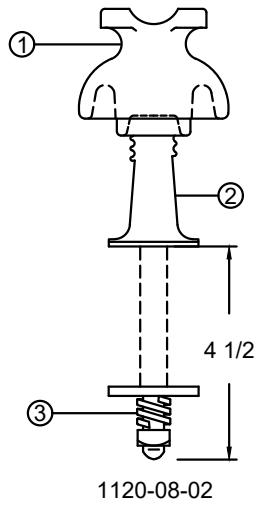
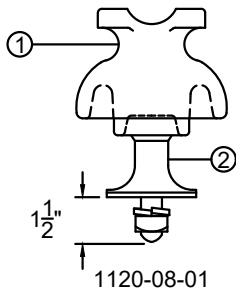
SINGLE
 1120-07-01
 1120-07-03
 1120-07-11
 1120-07-13



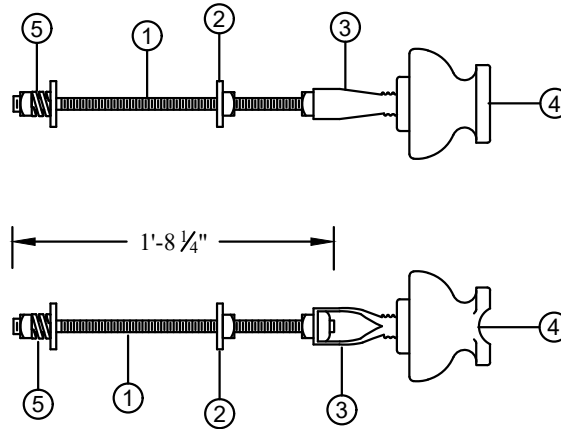
DOUBLE
 1120-07-02
 1120-07-04
 1120-07-12
 1120-07-14



| CU-REF | CU-ID | CU-DESCRIPTION |
|----------|------------------------|---|
| 11200701 | INSWGTPINSGL | INSULATOR W/FIBERGLASS POLE TOP PIN-SGL |
| 11200702 | INSWGTPINDBL | INSULATOR W/FIBERGLASS POLE TOP PIN-DBL |
| 11200703 | INSWGTPINSGL-ANG | INSULATOR W/FIBERGLASS POLE TOP PIN SGL-ANGLE |
| 11200704 | INSWGTPINDBL-ANG | INSULATOR W/FIBERGLASS POLE TOP PIN DBL-ANGLE |
| 11200711 | INPLYWFGTPINSGL-CC | INSULATOR POLY W/ FIBERGLASS POLE TOP PIN-SGL - CC |
| 11200712 | INPLYWFGTPINDBL-CC | INSULATOR POLY W/ FIBERGLASS POLE TOP PIN-DBL - CC |
| 11200713 | INPLYWFGTPINSGL-ANG-CC | INSULATOR POLY W/FIBERGLASS POLE TOP PIN SGL-ANGLE - CC |
| 11200714 | INPLYWFGTPINDBL-ANG-CC | INSULATOR POLY W/FIBERGLASS POLE TOP PIN DBL-ANGLE - CC |

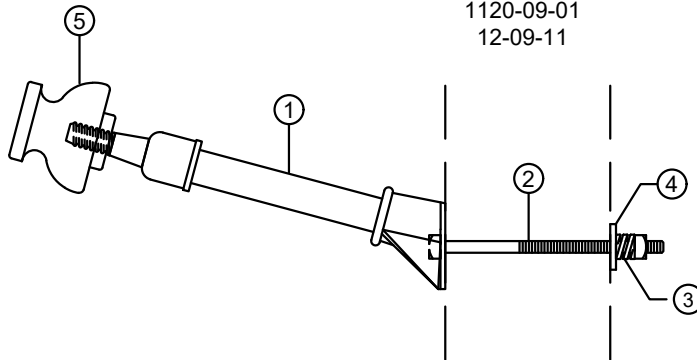


| CU-REF | CU-ID | CU-DESCRIPTION |
|----------|-------------------------|--|
| 11200801 | INSWSHORTSHANKPIN | INSULATOR W/SHORT SHANK PIN |
| 11200802 | INSWLONGSHANKPIN | INSULATOR W/LONG SHANK PIN |
| 11200810 | INS46KVW/6INPIN | INSULATOR, 46KV, WITH 6IN PIN |
| 11200812 | INS46KVW/10INPIN | INSULATOR, 46KV, WITH 10IN PIN |
| 11200821 | INSPLYWSHORTSHANKPIN-CC | INSULATOR POLY W/SHORT SHANK PIN - CC |
| 11200822 | INSPLYWLONGSHANKPIN-CC | INSULATOR POLY W/LONG SHANK PIN- CC |
| 11200831 | INSPLY46KVW/6INPIN-CC | INSULATOR, POLY 46KV, WITN 6 IN PIN - CC |
| 11200832 | INSPLY46KVW/10INPIN-CC | INSULATOR, POLY 46KV WITH 10 IN PIN - CC |



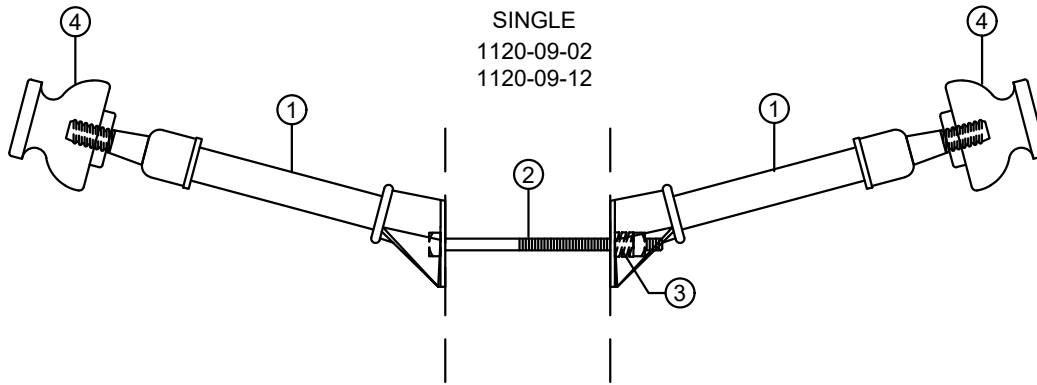
ADAPTOR PIN

1120-09-01
12-09-11



SINGLE

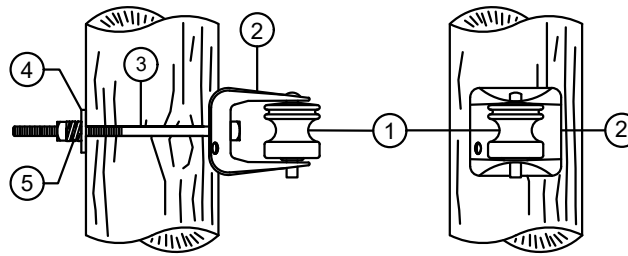
1120-09-02
1120-09-12



DOUBLE

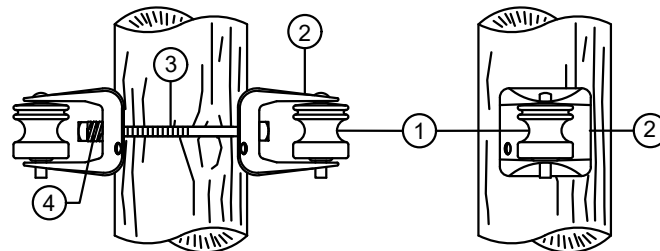
1120-09-03
1120-09-13

| CU-REF | CU-ID | CU-DESCRIPTION |
|----------|----------------------|--|
| 11200901 | INSWADAPTORPIN | INSULATOR W/ADAPTOR PIN |
| 11200902 | INSWFGSTFSGL | INSULATOR W/FIBERGLASS STANDOFF-SGL |
| 11200903 | INSWFGSTFDBL | INSULATOR W/FIBERGLASS STANDOFF-DBL |
| 11200911 | INSPLYWADAPTORPIN-CC | INSULATOR POLY W/ADAPTOR PIN - CC |
| 11200912 | INSPLYWFGSTFSGL-CC | INSULATOR POLY W/FIBERGLASS STANDOFF- SGL - CC |
| 11200913 | INSPLYWFGSTFDBL-CC | INSULATOR POLY W/FIBERGLASS STANDOFF- DBL - CC |



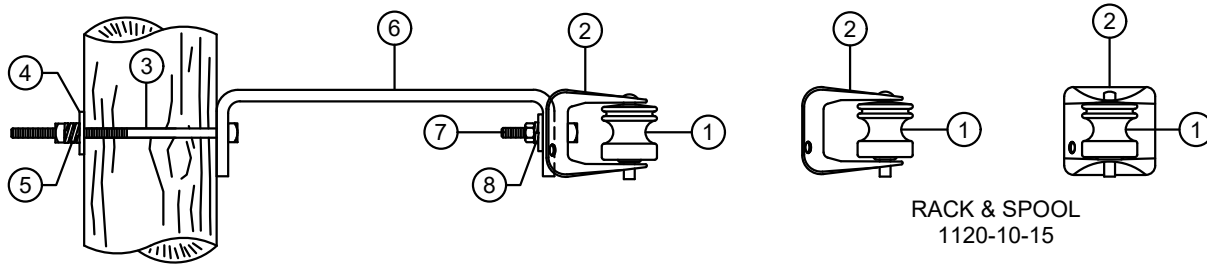
SINGLE RACK & SPOOL

- 1120-10-01
- 1120-10-02
- 1120-10-03



DOUBLE RACK & SPOOL

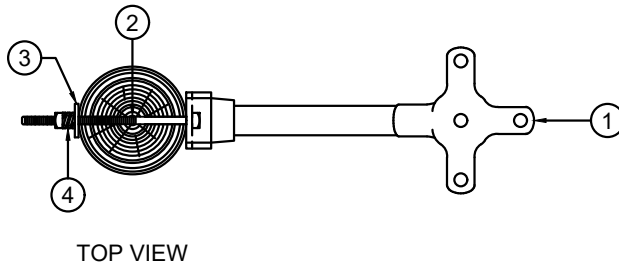
- 1120-10-07
- 1120-10-08
- 1120-10-09



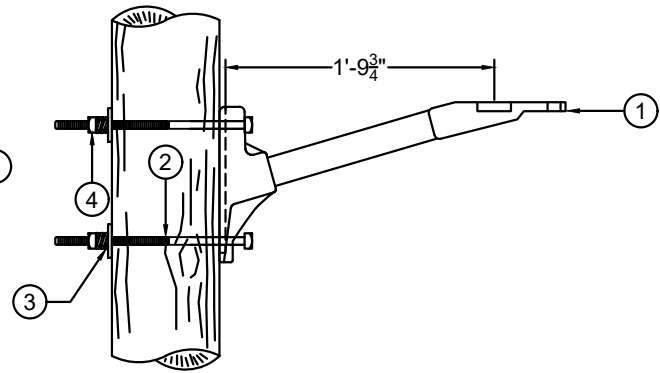
STAND-OFF BRACKET
1120-10-20

RACK & SPOOL
1120-10-15

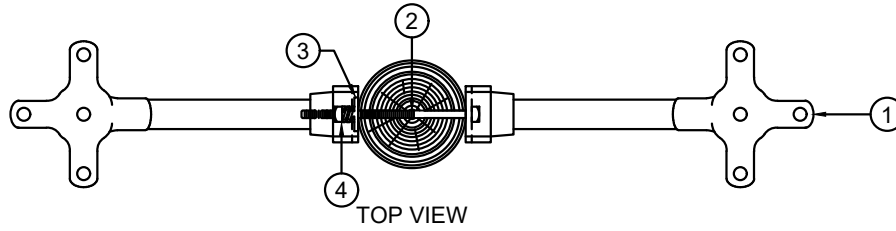
| CU-REF | CU-ID | CU-DESCRIPTION |
|----------|-----------------|-------------------------------|
| 11201001 | BRKTRK1P10INSGL | BRKT RACK 1 POINT 10 IN- SGL |
| 11201002 | BRKTRK1P12INSGL | BRKT RACK 1 POINT 12 IN- SGL |
| 11201003 | BRKTRK1P14INSGL | BRKT RACK 1 POINT 14 IN- SGL |
| 11201007 | BRKTRK1P10INDBL | BRKT RACK 1 POINT 10 IN- DBL |
| 11201008 | BRKTRK1P12INDBL | BRKT RACK 1 POINT 12 IN- DBL |
| 11201009 | BRKTRK1P14INDBL | BRKT RACK 1 POINT 14 IN- DBL |
| 11201015 | BRKTRK1PBCKUP | BRKT RACK 1 POINT BACK UP |
| 11201020 | BRKTRK1PW/EXT | BRKT RACK 1 POINT W/EXTENSION |



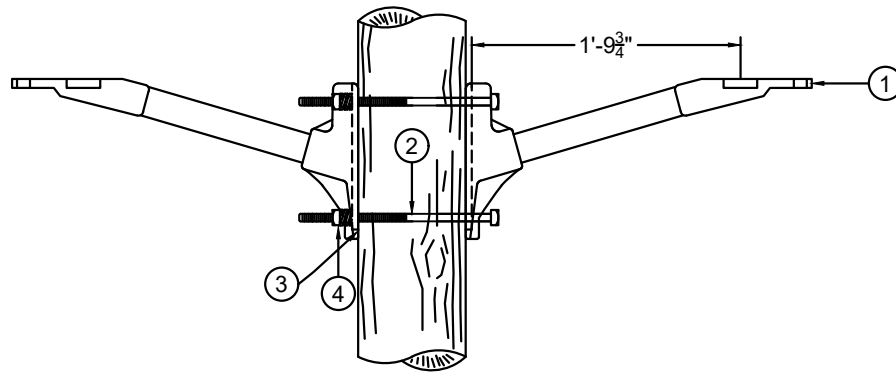
TOP VIEW



SIDE VIEW
 1120-11-01 SINGLE

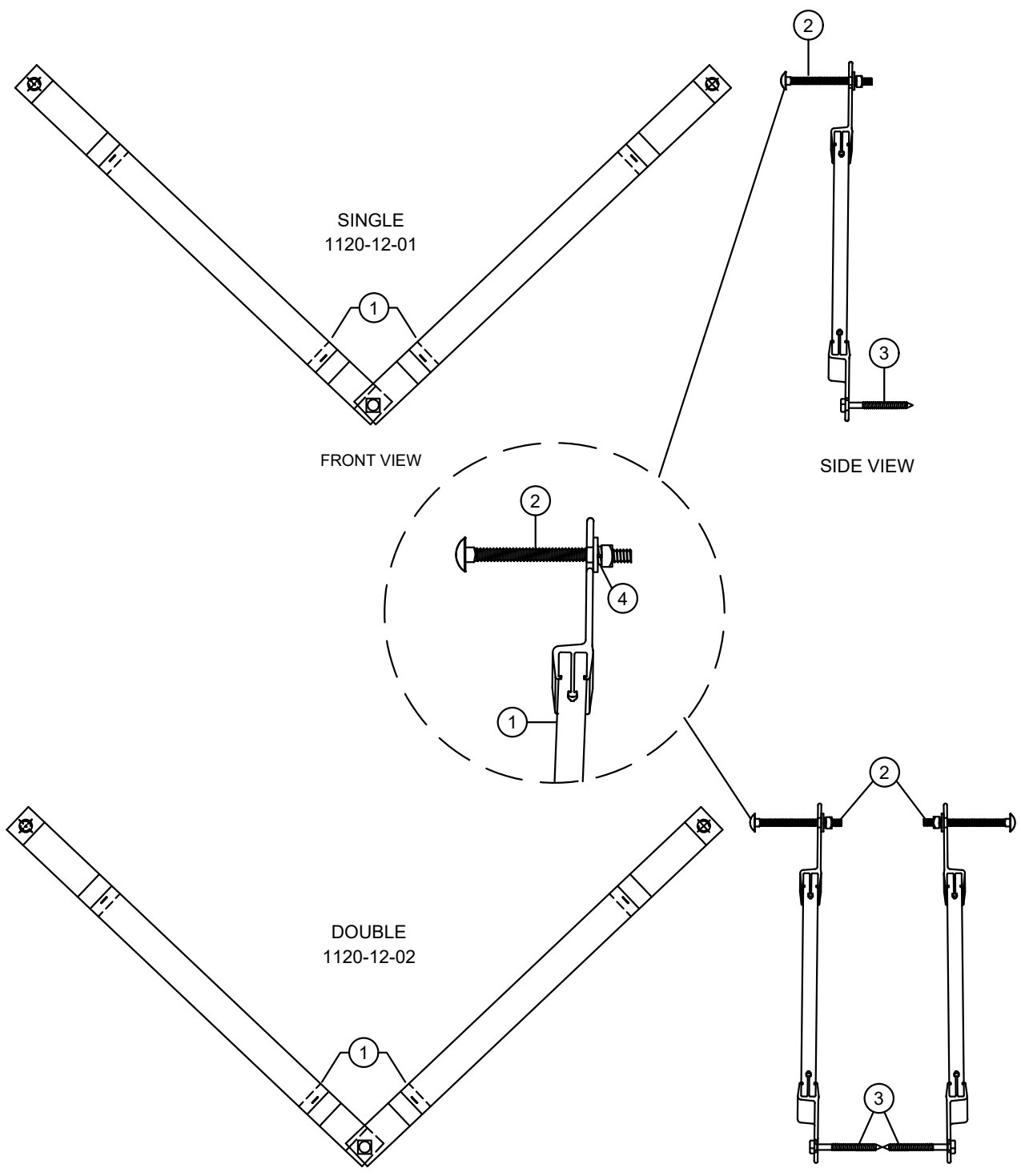


TOP VIEW



SIDE VIEW
 1120-11-02 DOUBLE

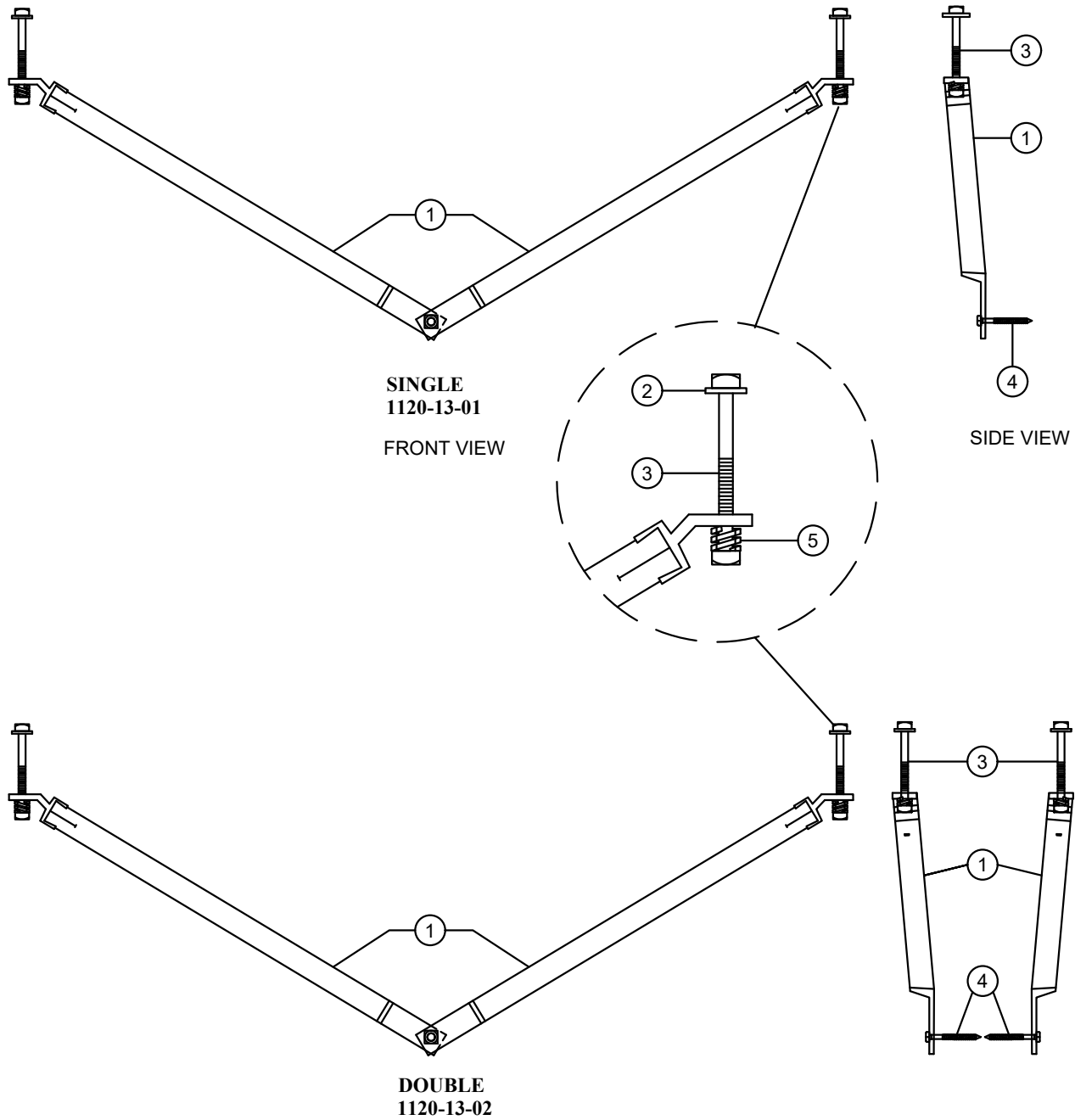
| CU-REF | CU-ID | CU-DESCRIPTION |
|----------|-------------------|--------------------------|
| 11201101 | BRKT3EARFG18INSGL | BRKT 3 EAR FG 18 IN- SGL |
| 11201102 | BRKT3EARFG18INDBL | BRKT 3 EAR FG 18 IN- DBL |



| CU-REF | CU-ID | CU-DESCRIPTION |
|----------|-----------------------|------------------------------------|
| 11201201 | WDBRACE26INSGL8FTXARM | WOOD BRACE 26 IN FOR SGL 8 FT XARM |
| 11201202 | WDBRACE26INDBL8FTXARM | WOOD BRACE 26 IN FOR DBL 8 FT XARM |

REV_DATE:

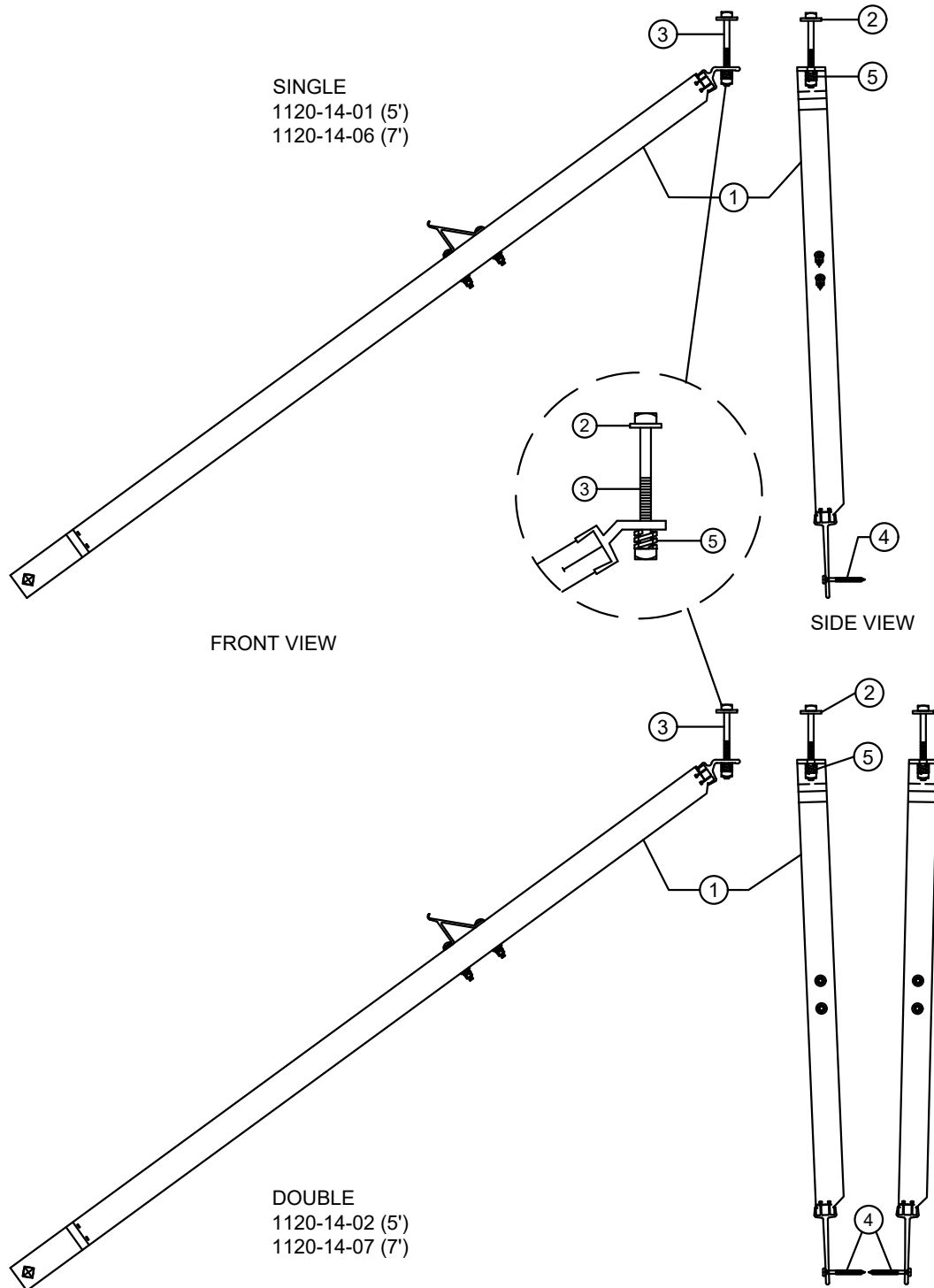
04/01/26



| CU-REF | CU-ID | CU-DESCRIPTION |
|----------|------------------------|-------------------------------------|
| 11201301 | WDBRACE60INSG10FTXARM | WOOD BRACE 60 IN FOR SGL 10 FT XARM |
| 11201302 | WDBRACE60INDBL10FTXARM | WOOD BRACE 60 IN FOR DBL 10 FT XARM |

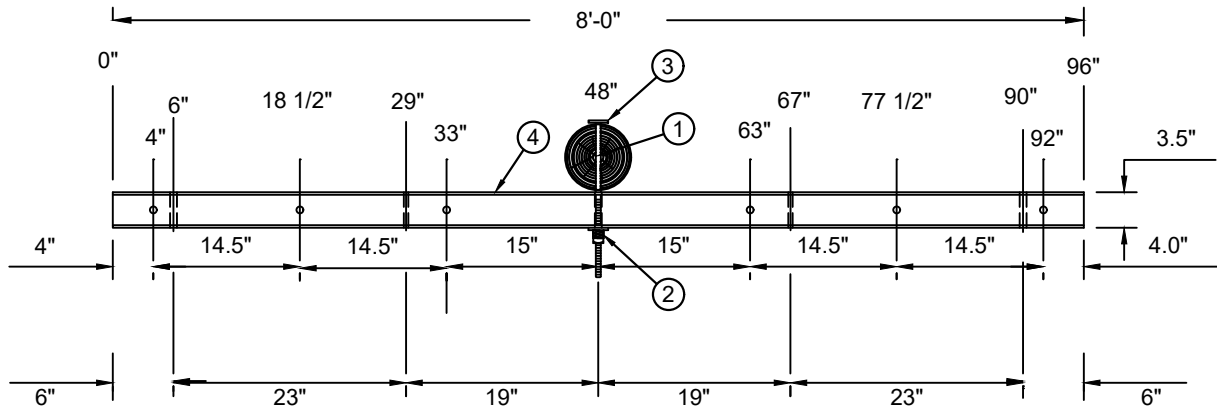
REV_DATE:

04/01/26

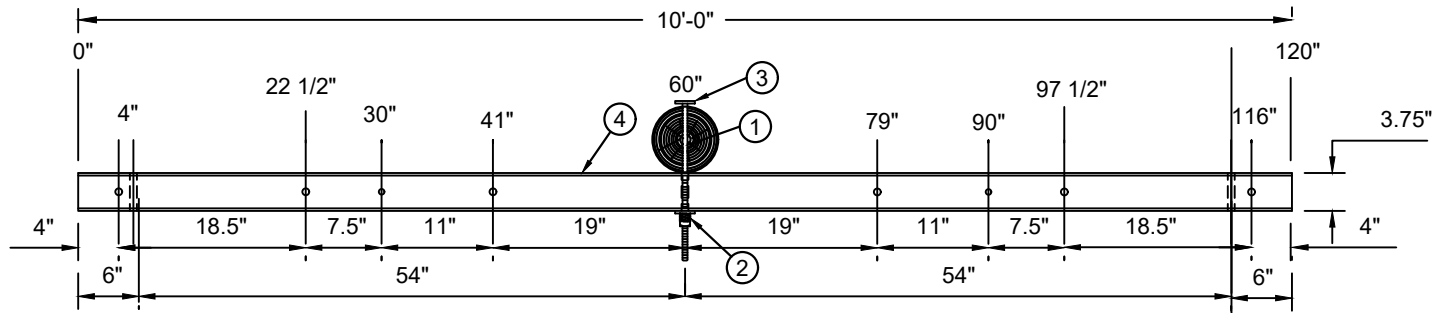


| CU-REF | CU-ID | CU-DESCRIPTION |
|----------|---------------------|---|
| 11201401 | WDBRACE5FTSGL8FTAA | WOOD BRACE 5 FT FOR SGL 8 FT ALLEY ARM |
| 11201402 | WDBRACE5FTDBL8FTAA | WOOD BRACE 5 FT FOR DBL 8 FT ALLEY ARM |
| 11201406 | WDBRACE7FTSGL10FTAA | WOOD BRACE 7 FT FOR SGL 10 FT ALLEY ARM |
| 11201407 | WDBRACE7FTDBL10FTAA | WOOD BRACE 7 FT FOR DBL 10 FT ALLEY ARM |

REV_DATE:
04/01/26



1120-15-01 SINGLE WOOD-8'
1120-15-02 DOUBLE WOOD-8'

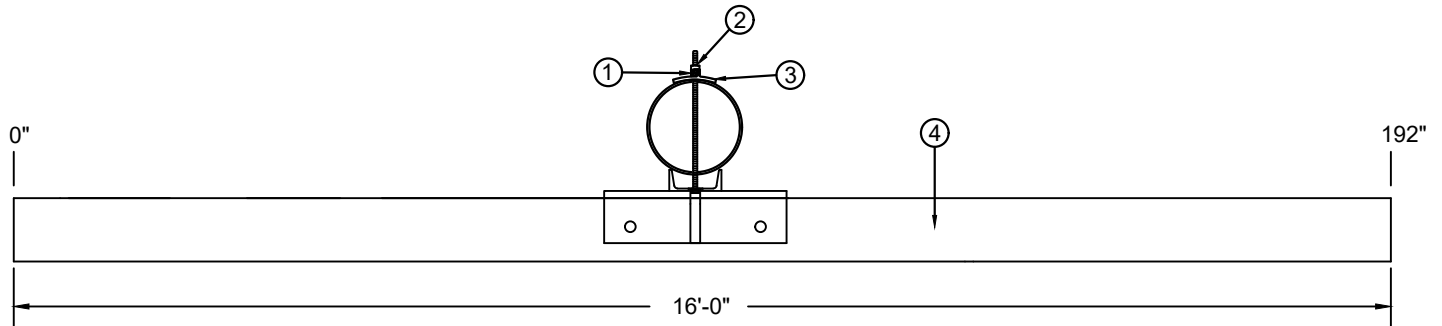
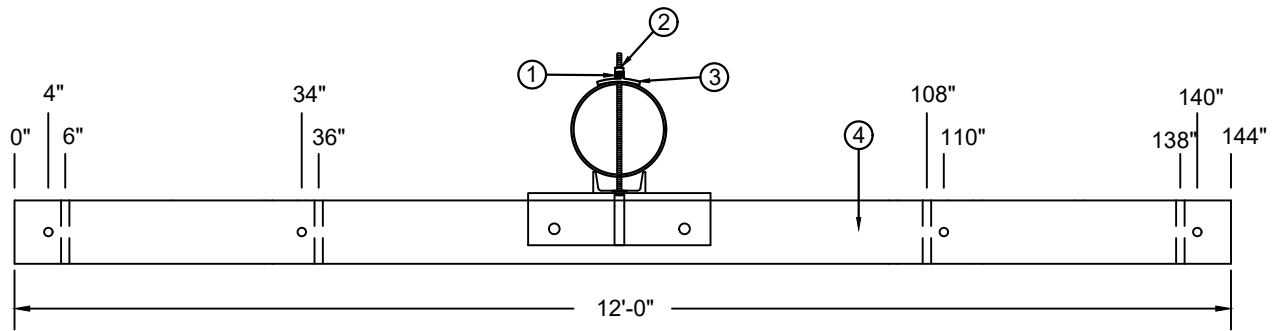
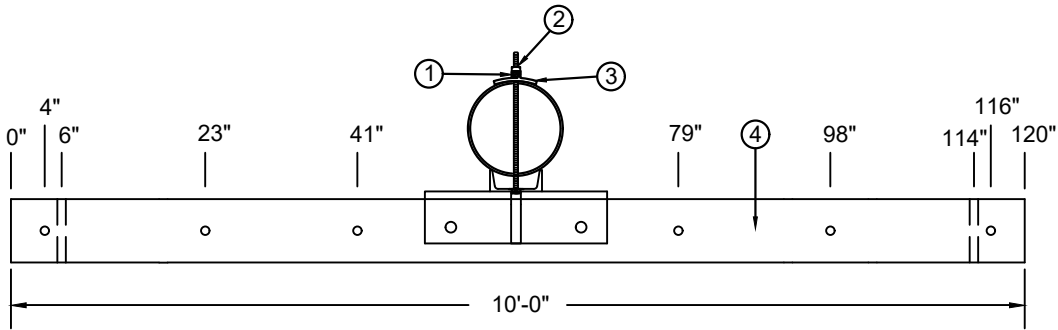
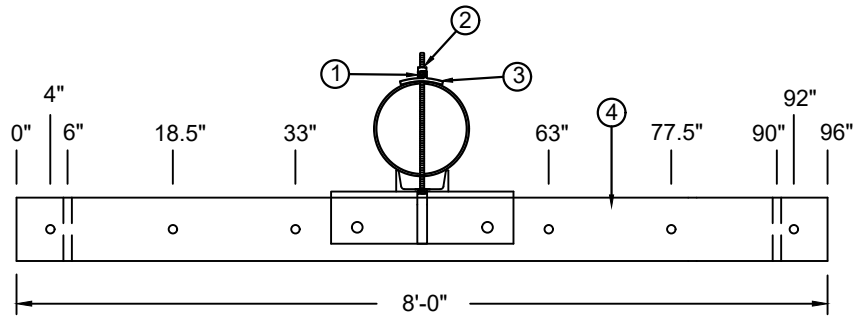


1120-15-03 SINGLE WOOD-10'
1120-15-04 DOUBLE WOOD-10'

| CU-REF | CU-ID | CU-DESCRIPTION |
|----------|----------------|-----------------------|
| 11201501 | ARMWDLDSGL8FT | ARM WOOD SGL LD 8 FT |
| 11201502 | ARMWDLDDBL8FT | ARM WOOD DBL LD 8 FT |
| 11201503 | ARMWDLDSGL10FT | ARM WOOD SGL LD 10 FT |
| 11201504 | ARMWDLDDBL10FT | ARM WOOD DBL LD 10 FT |

REV_DATE:

04/01/26



SINGLE FIBERGLASS

- 1120-15-06 8FT
- 1120-15-08 10FT
- 1120-15-10 12FT
- 1120-15-13 16FT

DOUBLE FIBERGLASS

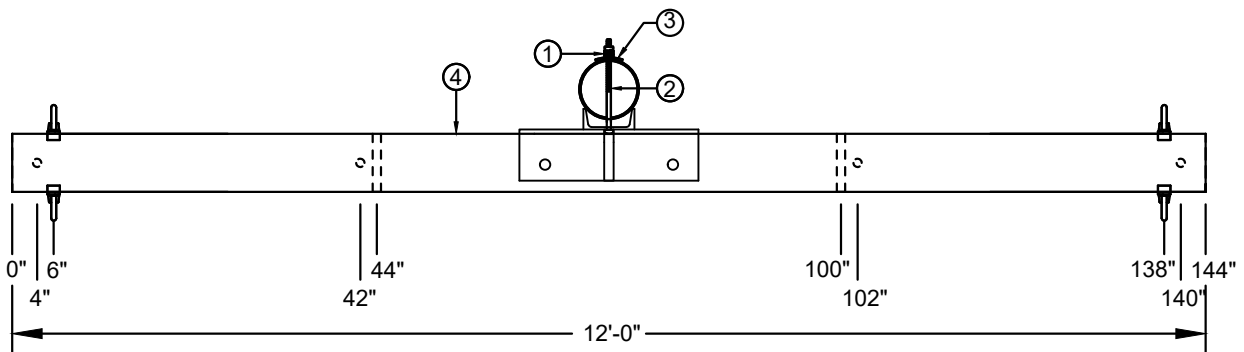
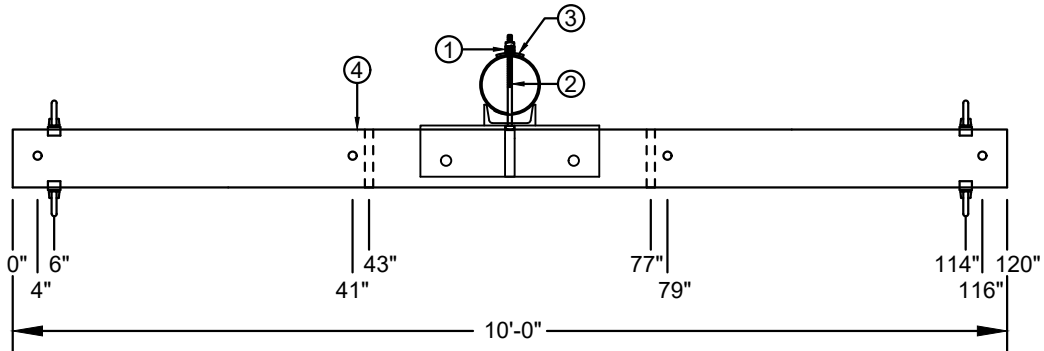
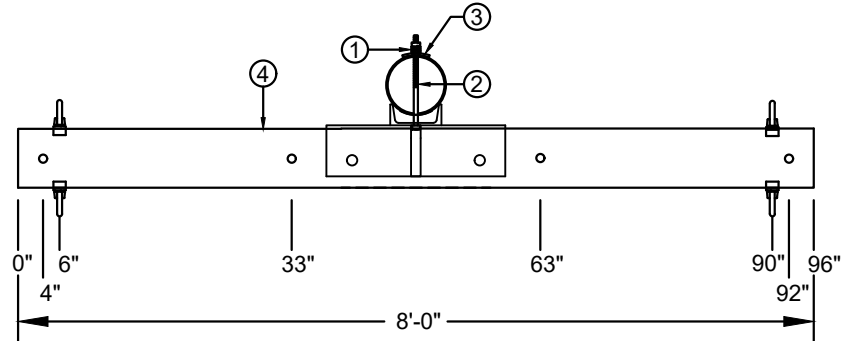
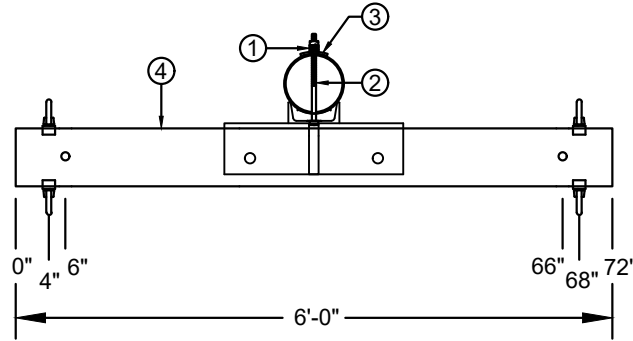
- 1120-15-07 8FT
- 1120-15-09 10FT
- 1120-15-12 12FT
- 1120-15-14 16FT

| CU-REF | CU-ID | CU-DESCRIPTION |
|----------|----------------|-----------------------------|
| 11201506 | ARMFGLDSSL8FT | ARM FIBERGLASS LD SGL 8 FT |
| 11201507 | ARMFGLDDBL8FT | ARM FIBERGLASS LD DBL 8 FT |
| 11201508 | ARMFGLDSSL10FT | ARM FIBERGLASS LD SGL 10 FT |
| 11201509 | ARMFGLDDBL10FT | ARM FIBERGLASS LD DBL 10 FT |
| 11201510 | ARMFGSGL12FT | ARM FIBERGLASS LD SGL 12 FT |
| 11201512 | ARMFGDBL12FT | ARM FIBERGLASS LD DBL 12 FT |
| 11201513 | ARMFGSGL16FT | ARM FIBERGLASS HD SGL 16 FT |
| 11201514 | ARMFGDBL16FT | ARM FIBERGLASS HD DBL 16 FT |

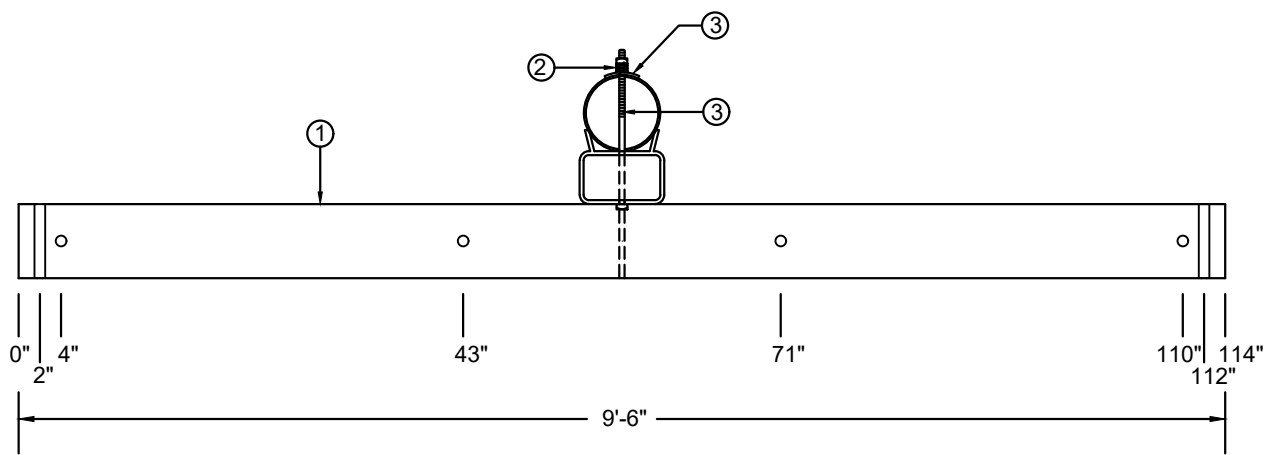
REV_DATE:

04/01/26

FIBERGLASS
 1120-16-10
 1120-16-11
 1120-16-12
 1120-16-15



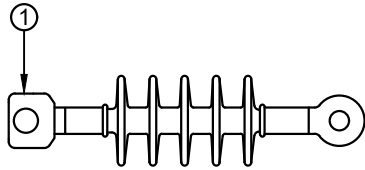
| CU-REF | CU-ID | CU-DESCRIPTION |
|----------|---------------|----------------------------|
| 11201610 | ARMFGDEHD5FT | ARM FIBERGLASS DE HD 5 FT |
| 11201611 | ARMFGDEHD8FT | ARM FIBERGLASS DE HD 8 FT |
| 11201612 | ARMFGDEHD10FT | ARM FIBERGLASS DE HD 10 FT |
| 11201615 | ARMFGDEHD12FT | ARM FIBERGLASS DE HD 12 FT |



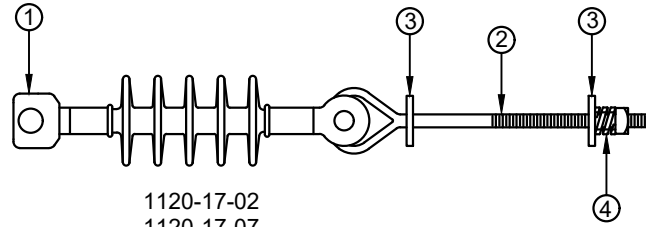
STEEL
 1120-16-20

NOTE: THIS IS PRIMARILY USED IN MAJOR CROSSINGS.

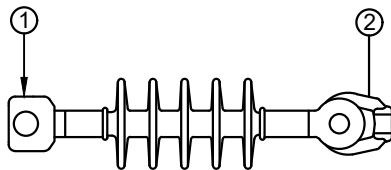
| CU-REF | CU-ID | CU-DESCRIPTION |
|----------|---------------|-----------------------|
| 11201620 | ARMSTDEHD10FT | ARM STEEL DE HD 10 FT |



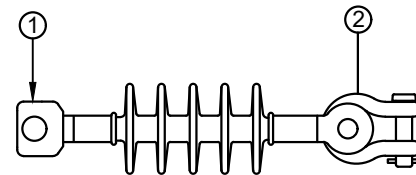
1120-17-01



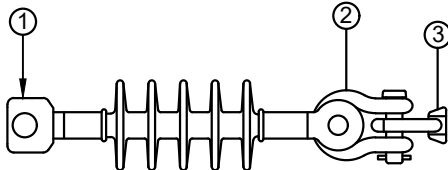
1120-17-02
1120-17-07



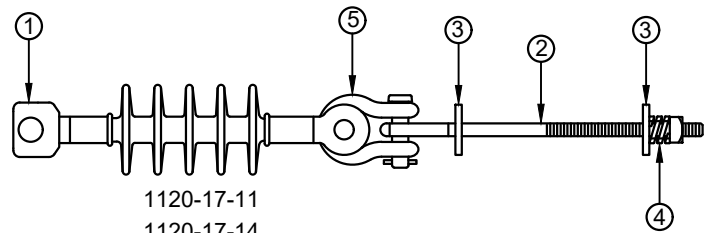
1120-17-03
1120-17-04



1120-17-10

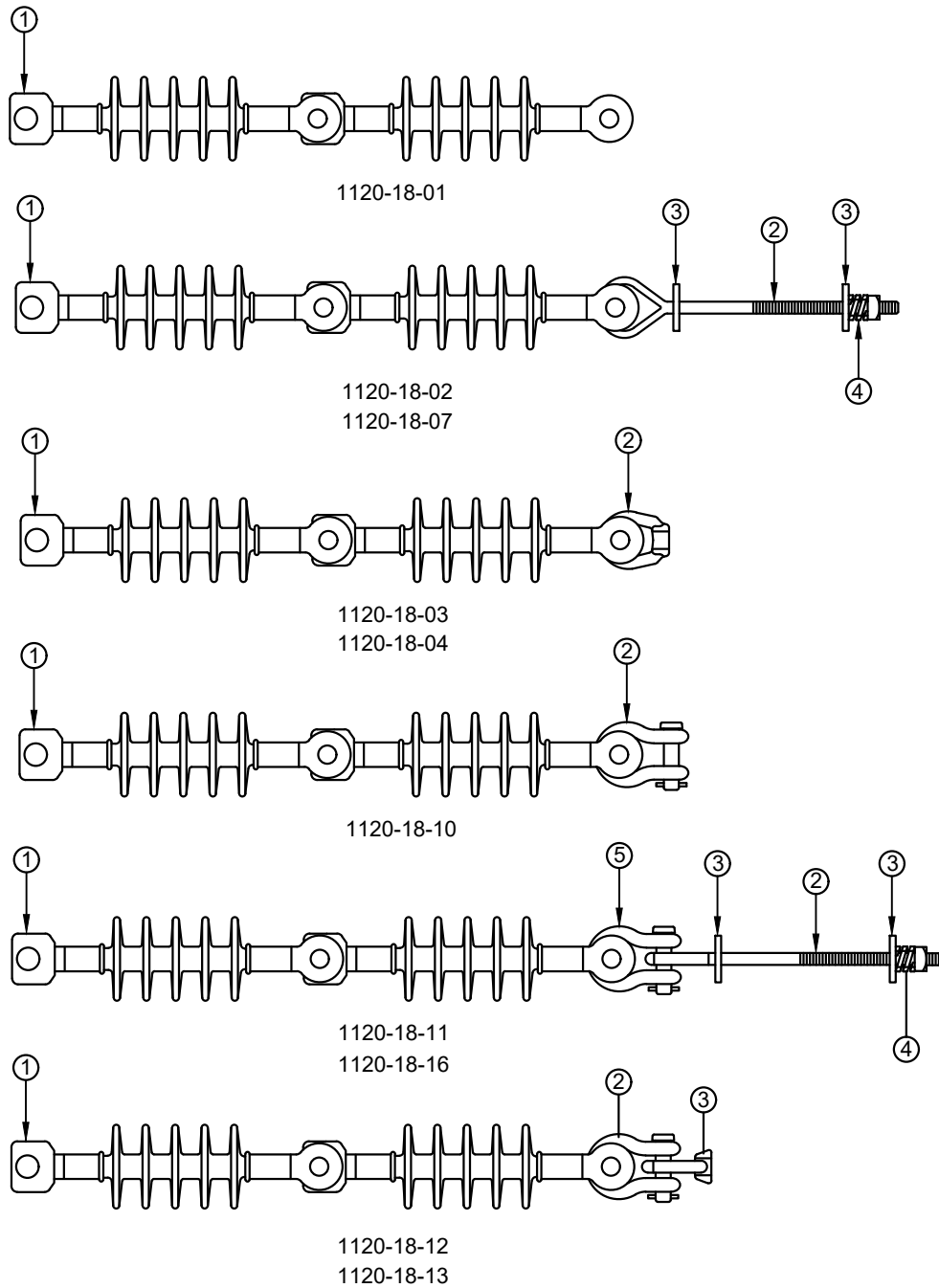


1120-17-12
1120-17-13



1120-17-11
1120-17-14

| CU-REF | CU-ID | CU-DESCRIPTION |
|----------|-----------------------|---|
| 11201701 | INSDESGL | INSULATOR DE SGL |
| 11201702 | INSDESGL5/8EYEB | INSULATOR DE SGL W/5/8" EYEBOLT |
| 11201703 | INSDESGL5/8EYENUT | INSULATOR DE SGL W/5/8" EYENUT |
| 11201704 | INSDESGL3/4EYENUT | INSULATOR DE SGL W/3/4" EYENUT |
| 11201707 | INSDESGL3/4EYEB | INSULATOR DE SGL W/3/4" EYEBOLT |
| 11201710 | INSDESGL/SHK | INSULATOR DE SGL W/SHACKLE |
| 11201711 | INSDESGL5/8EYEB/SHK | INSULATOR DE SGL W/5/8" EYEBOLT/SHACKLE |
| 11201712 | INSDESGL5/8EYENUT/SHK | INSULATOR DE SGL W/5/8" EYENUT/SHACKLE |
| 11201713 | INSDESGL3/4EYENUT/SHK | INSULATOR DE SGL W/3/4" EYENUT/SHACKLE |
| 11201714 | INSDESGL3/4EYEB/SHK | INSULATOR DE SGL W/3/4" EYEBOLT/SHACKLE |



| CU-REF | CU-ID | CU-DESCRIPTION |
|----------|----------------------|--|
| 11201801 | INSDDBL | INSULATOR DE DBL |
| 11201802 | INSDDBL5/8EYEB | INSULATOR DE DBL W/5/8" EYEBOLT |
| 11201803 | INSDDBL5/8EYENUT | INSULATOR DE DBL W/5/8" EYENUT |
| 11201804 | INSDDBL3/4EYENUT | INSULATOR DE DBL W/3/4" EYENUT |
| 11201807 | INSDDBL3/4EYEB | INSULATOR DE DBL W/3/4" EYEBOLT |
| 11201810 | INSDDBL/SHK | INSULATOR DE DBL W/SHACKLE |
| 11201811 | INSDDBL5/8EYEB/SHK | INSULATOR DE DBL W/5/8" EYEBOLT/SHACKLE |
| 11201812 | INSDDBL5/8EYENUT/SHK | INSULATOR DE DBL W/5/8" EYENUT/SHACKLE |
| 11201813 | INSDDBL3/4EYENUT/SHK | INSULATOR DE DBL W/3/4" EYENUT/SHACKLE |
| 11201816 | INSDDBL3/4EYEB/SHK | INSULATOR DE DBL W/3/4"EYEB WITH SHACKLE |