

1119

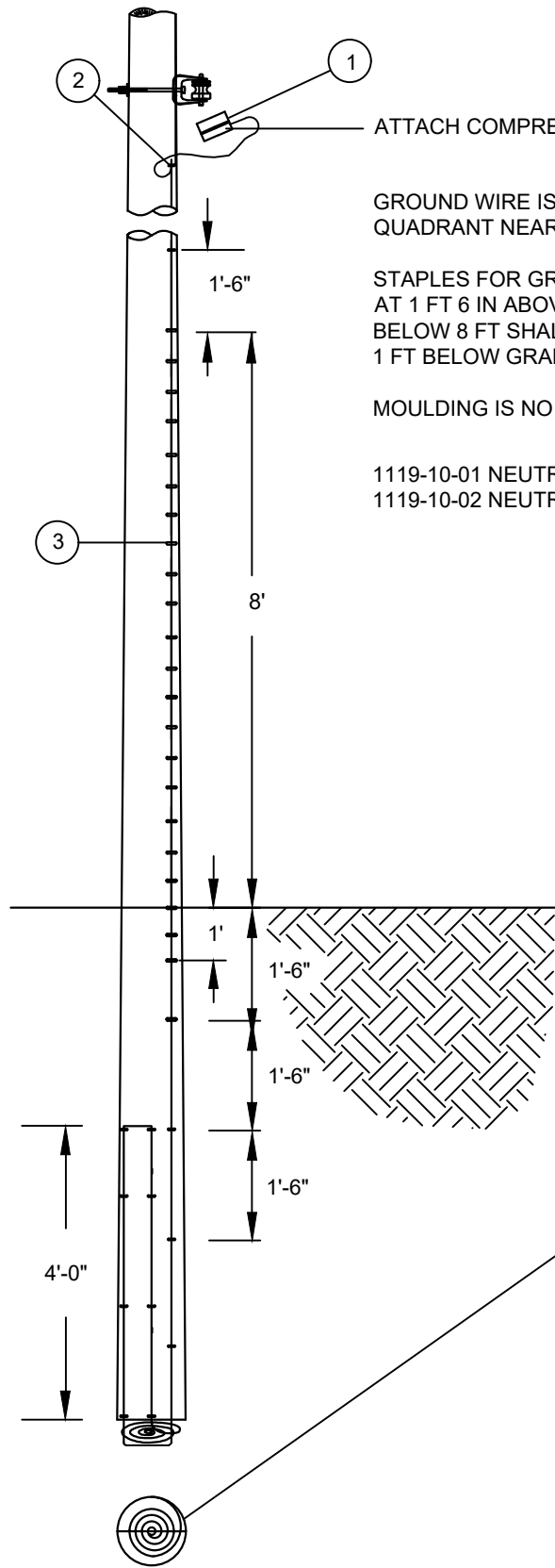
POLE GROUNDING

CONTAINS

- 1119-10 GROUNDING FOR WOOD POLE W/BUTT COIL
- 1119-15 GROUNDING ROD
- 1119-20 GROUNDING FOR WOOD POLE W/GROUND ROD
- 1119-22 GROUNDING FOR FIBERGLASS POLE W/GROUND ROD
- 1119-25 GROUNDING FOR STEEL POLE W/GROUND ROD

REV_DATE:

04/01/26



ATTACH COMPRESSION "H" TAP TO NEUTRAL

GROUND WIRE IS TO BE INSTALLED ON THE QUADRANT NEAREST THE NEUTRAL.

STAPLES FOR GROUND WIRE SHALL BE SPACED AT 1 FT 6 IN ABOVE 8 FT TO NEUTRAL. STAPLES BELOW 8 FT SHALL BE STAPLED EVERY 6 IN, TO 1 FT BELOW GRADE.

MOULDING IS NO LONGER USED.

1119-10-01 NEUTRAL #6 TO 1/0

1119-10-02 NEUTRAL #6 TO 4/0

THERE SHALL BE AT LEAST 12 FT. OF #6 COPPER ATTACHED TO POLE SIDES AT THE POLE BOTTOM.

THE #6 WIRE, ATTACHED TO THE SIDE OF THE POLE AT THE BOTTOM, SHALL EXTEND A MINIMUM OF 4 FT. FROM THE BOTTOM OF THE POLE.

BUTT COIL SHALL BE A CONTINUOUS PART OF THE POLE GROUND AND STAPLED TO THE BOTTOM OF THE POLE.

THE BUTT COIL SHALL BE COMPOSED OF A MINIMUM OF 8 LINEAR FEET OF #6 BARE COPPER WIRE. A MINIMUM OF 5 CONCENTRIC CIRCLES IS RECOMMENDED.

NOTE: USE #2 TIN IN SPECIAL CIRCUMSTANCES SUCH AS WITH AIR-SWITCH

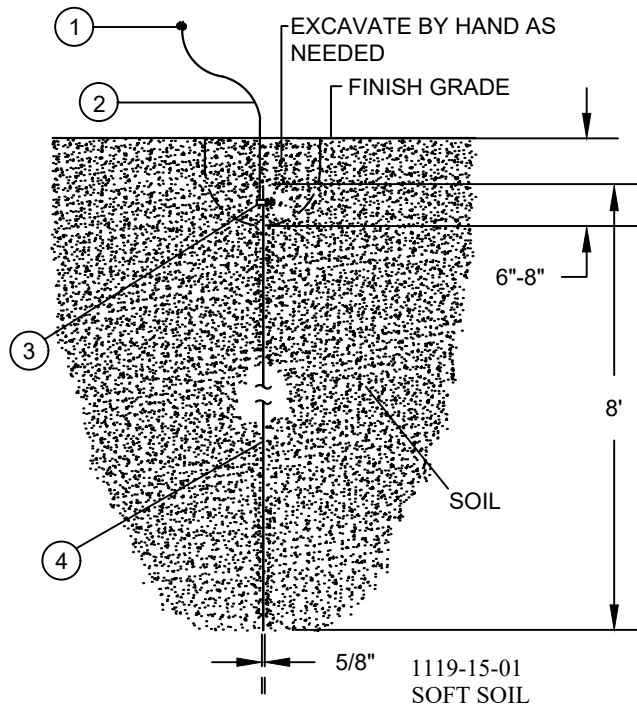
GROUND WIRE AND BUTT COIL ARE ONE CONTINUOUS WIRE.

GROUND WIRE SHALL CROSS OVER THE COILED PORTION OF THE GROUND WIRE AND BE STAPLED TO THE BUTT OF THE POLE.

CU-REF	CU-ID	CU-DESCRIPTION
11191001	GRDWPBC6-1/0N	GRD WOOD POLE W/BUTT COIL #6- 1/0N
11191002	GRDWPBC6-4/0N	GRD WOOD POLE W/BUTT COIL #6- 4/0N

REV_DATE:

04/01/26



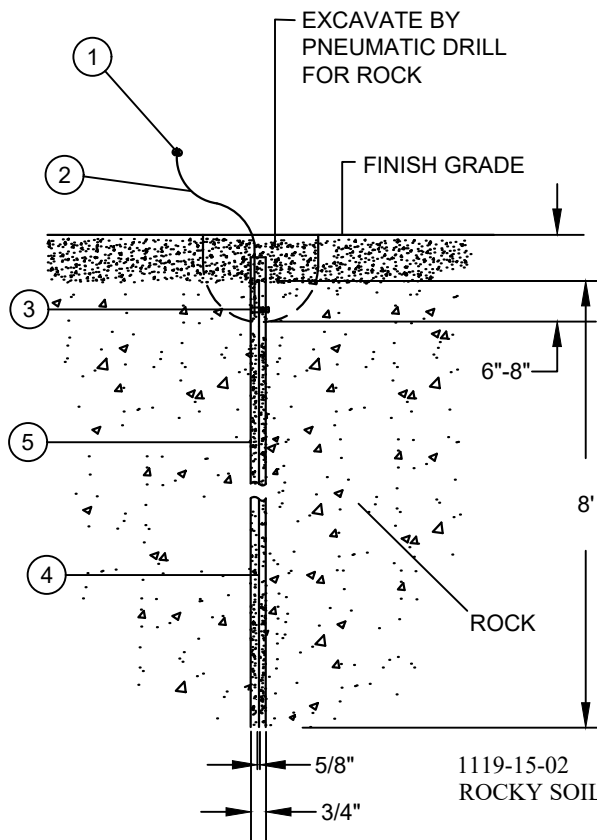
GROUND ROD SHALL BE PLACED 6 FT. FROM THE POLE.

GROUNDING SHALL BE TESTED AND SHALL NOT EXCEED 25 OHMS FOR POLES WITHOUT APPARATUS AND 10 OHMS WITH APPARATUS.

IF OHMS READING IS ABOVE REQUIREMENTS, A SECOND GROUND ROD SHALL BE DRIVEN AT LEAST 6 FT FROM THE FIRST GROUND ROD UNTIL OHMS REQUIREMENT IS MET.

IN SOFT SOIL, EXCAVATE 6 IN - 8 IN. BY HAND FOR WORKING ROOM BEFORE ATTEMPTING TO INSTALL GROUND ROD.

IN ROCKY SOIL, GROUND RODS INSTALLED MUST BE DRILLED TO TOTAL DEPTH USING A 3 IN. TO 4 IN. PNEUMATIC DRILL.



AFTER THE GROUND ROD HAS BEEN PLACED IN THE HOLE, POUR IN AN AUSTIN ENERGY APPROVED SLURRY TO WITHIN 3 IN. OF THE TOP OF THE GROUND ROD.

CENTER THE GROUND ROD IN THE HOLE WHICH ALLOWS SLURRY TO ENCASE THE GROUND ROD EVENLY.

FINISH THE GROUND WIRE CONNECTION. COVER THE GROUND ROD WITH 3 IN. OF SLURRY AND THEN COVER THE REMAINING EXCAVATION WITH SOIL.

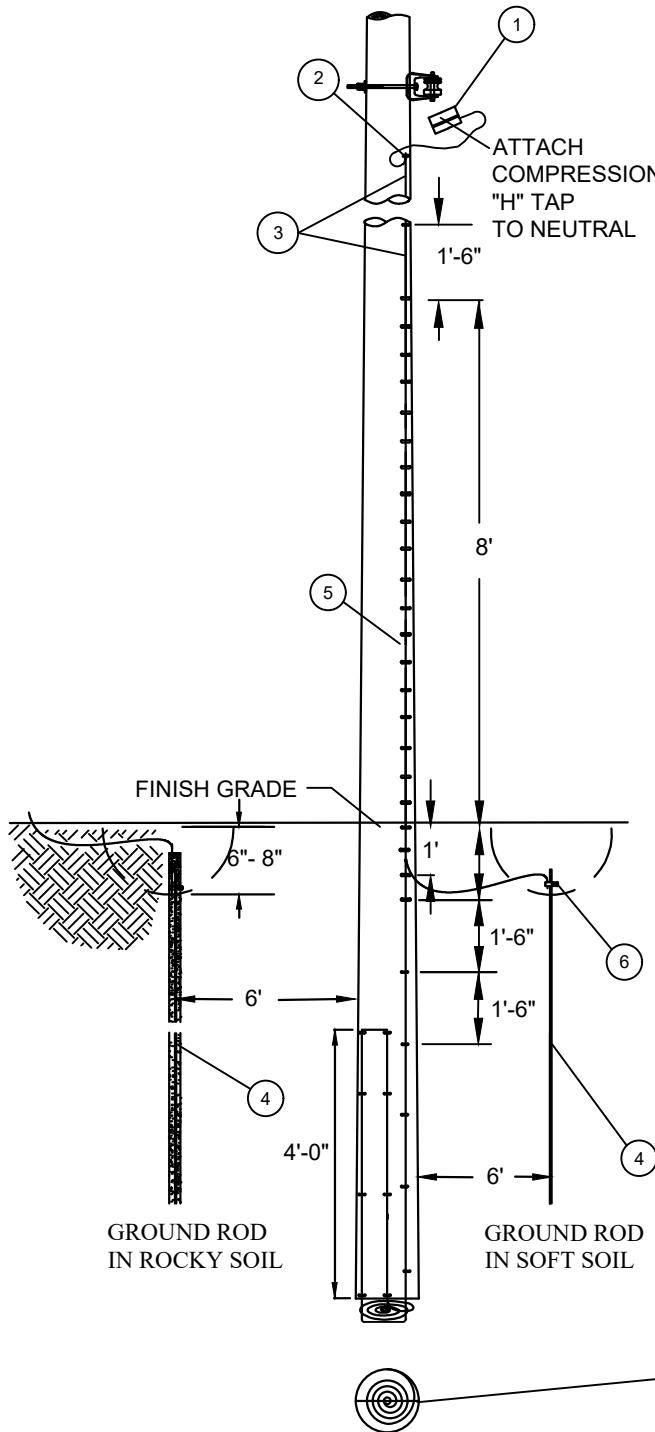
USE SWEEPING BENDS FOR CONNECTION BETWEEN GROUND ROD AND POLE.

NO SHARP 90 DEGREE BENDS.

CU-REF	CU-ID	CU-DESCRIPTION
11191501	GRDROD	GROUND ROD
11191502	GRDRODLOWRESBCKFL	GROUND ROD WITH LOW RESISTANCE BACKFILL

REV_DATE:

04/01/26



1119-20-01 AND 1119-20-05 NEUTRAL #6 TO 1/0
 1119-20-02 AND 1119-20-06 NEUTRAL #6 TO 4/0
 1119-20-11 AND 1119-20-16 NEUTRAL #2 TO 1/0
 1119-20-12 AND 1119-20-17 NEUTRAL #2 TO 4/0

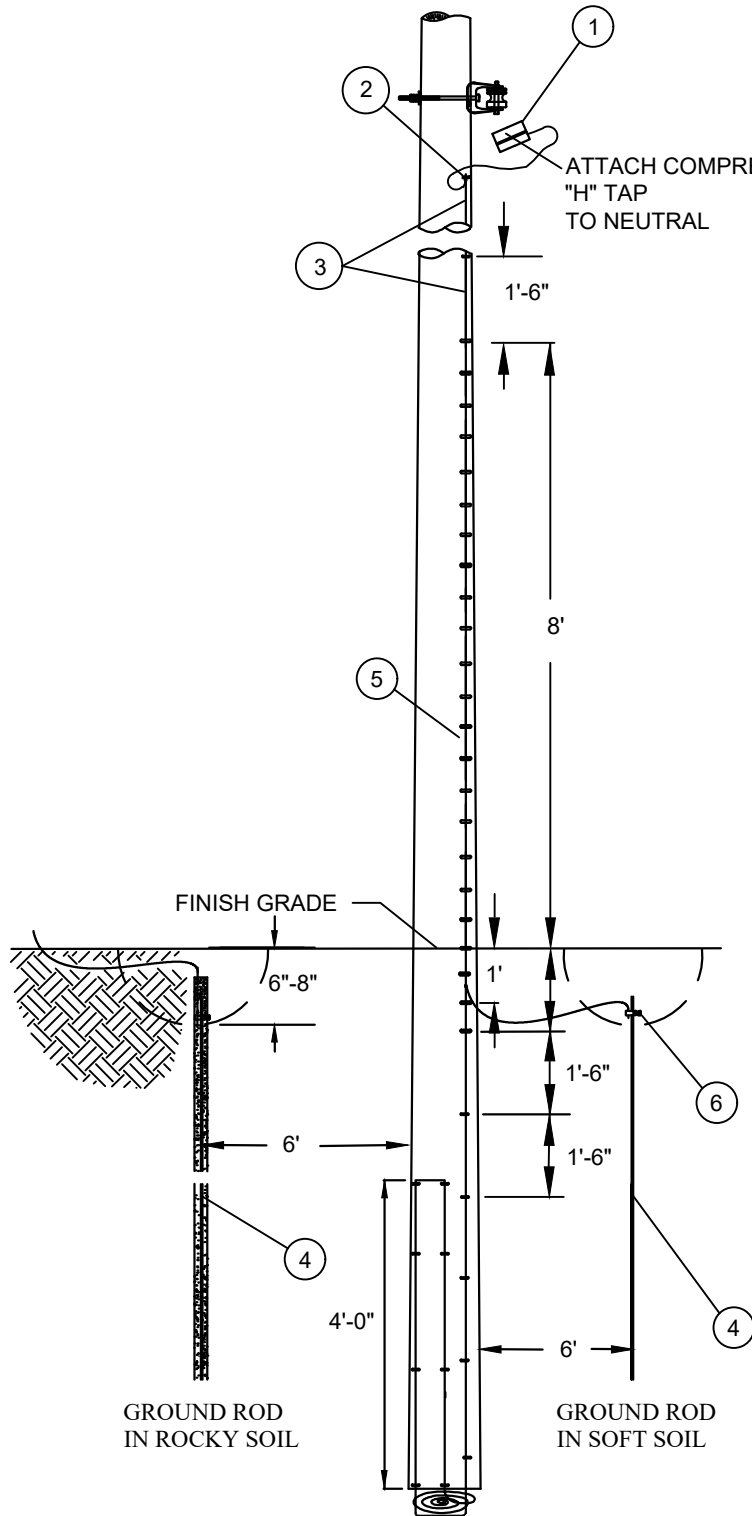
REFER TO NOTES IN 1119 - 15
 FOR GROUNDING ROD
 INSTALLATION REQUIREMENTS

GROUND WIRE AND BUTT COIL
 ARE ONE CONTINUOUS WIRE.
 GROUND WIRE SHALL CROSS
 OVER THE COILED PORTION OF
 THE GROUND WIRE AND BE
 STAPLED TO THE BUTT OF THE
 POLE.

CU-REF	CU-ID	CU-DESCRIPTION
11192001	GRDWPWGRDRODSS6-1/0N	GRD WOOD POLE W/GRD ROD SS #6- 1/0N
11192002	GRDWPGRDRODSS6-4/0N	GRD WOOD POLE W/GRD ROD SS #6- 4/0N
11192005	GRDWPWGRDRODRS6-1/0N	GRD WOOD POLE W/GRD ROD RS #6- 1/0N
11192006	GRDWPWGRDRODRS6-4/0N	GRD WOOD POLE W/GRD ROD RS #6- 4/0N
11192011	GRDWPWGRDRODSS2-1/0N	GRD WOOD POLE W/GRD ROD SS #2- 1/0N
11192012	GRDWPWGRDRODSS2-4/0N	GRD WOOD POLE W/GRD ROD SS #2- 4/0N
11192016	GRDWPWGRDRODRS2-1/0N	GRD WOOD POLE W/GRD ROD RS #2- 1/0N
11192017	GRDWPWGRDRODRS2-4/0N	GRD WOOD POLE W/GRD ROD RS #2- 4/0N

REV_DATE:

04/01/26



- 1119-22-01 GRD FIBERGLASS POLE SS 1/0N
- 1119-22-02 GRD FIBERGLASS POLE RS 1/0N
- 1119-22-06 GRD FIBERGLASS POLE SS 4/0N
- 1119-22-07 GRD FIBERGLASS POLE RS 4/0N

THERE SHALL BE AT LEAST 12 FT OF #6 COPPER ATTACHED TO POLE SIDES AT THE POLE BOTTOM.

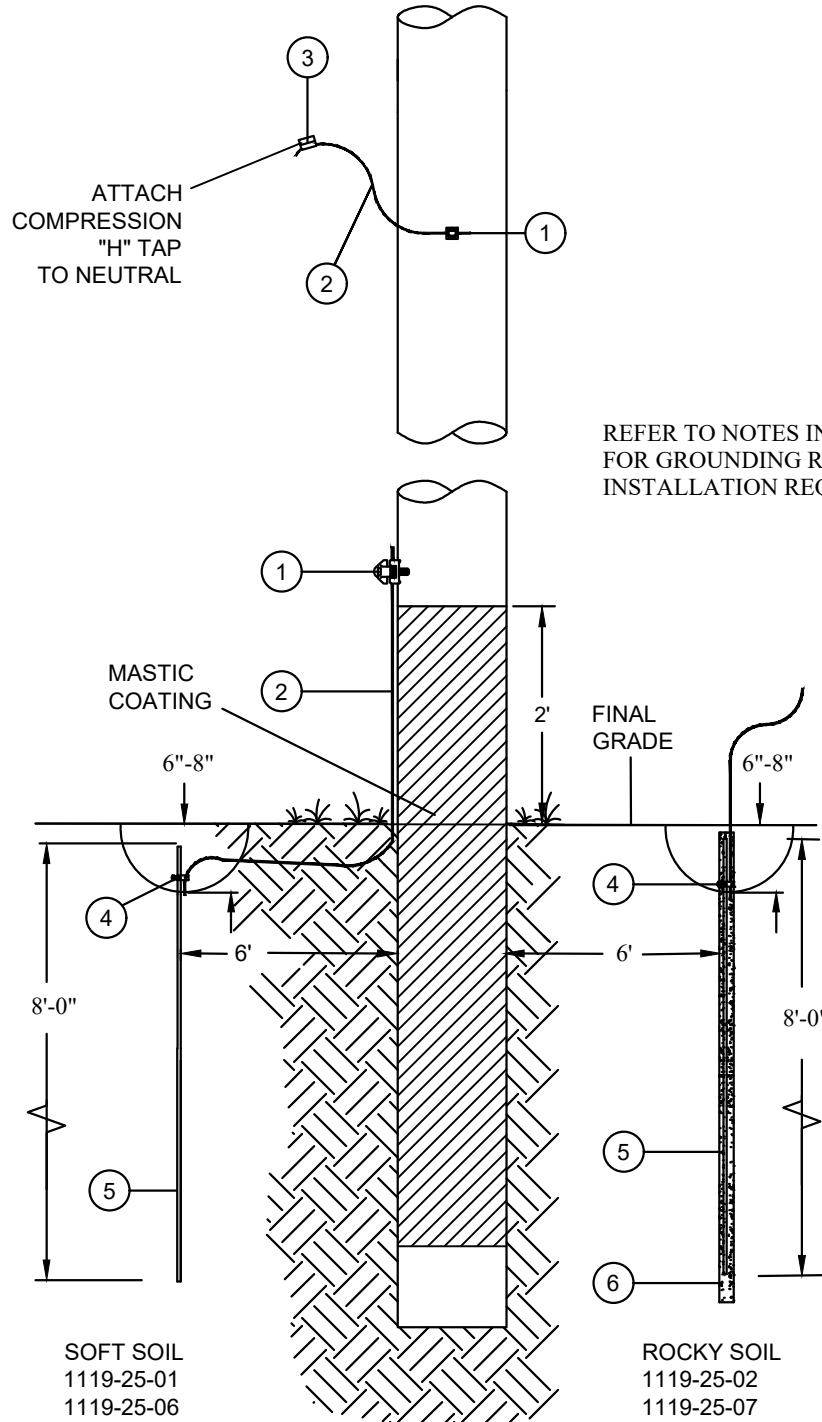
THE #6 WIRE ATTACHED TO THE SIDE OF THE POLE SHALL EXTEND A MINIMUM OF 4 FT FROM THE BOTTOM OF THE POLE.

NOTE:
 GROUND ROD SHALL BE PLACED 6 FT. FROM THE POLE. GROUND SHALL BE TESTED AND SHALL NOT EXCEED 25 OHMS FOR POLES WITHOUT APPARATUS AND 10 OHMS WITH APPARATUS. IF OHMS READING IS ABOVE REQUIREMENTS, A SECOND GROUND ROD SHALL BE DRIVEN AT LEAST 6 FT FROM THE FIRST GROUND ROD UNTIL OHMS REQUIREMENT IS MET.

CU-REF	CU-ID	CU-DESCRIPTION
11192201	GRDFGPSS1/0N	GRD FIBERGLASS POLE SS 1/0N
11192202	GRDFGPRS1/0N	GRD FIBERGLASS POLE RS 1/0N
11192206	GRDFGPSS4/0N	GRD FIBERGLASS POLE SS 4/0N
11192207	GRDFGPRS4/0N	GRD FIBERGLASS POLE RS 4/0N

REV_DATE:

04/01/26



REFER TO NOTES IN 1119 - 15 FOR GROUNDING ROD INSTALLATION REQUIREMENTS

SOFT SOIL
1119-25-01
1119-25-06

ROCKY SOIL
1119-25-02
1119-25-07

CU-REF	CU-ID	CU-DESCRIPTION
11192501	GRDSPSSFMHS1/0N	GRD STL POLE SS FULL MASTIC 1/0N
11192502	GRDSPRSFMHS1/0N	GRD STL POLE RS FULL MASTIC 1/0N
11192506	GRDSPSSFMHS4/0N	GRD STL POLE SS FULL MASTIC 4/0N
11192507	GRDSPRSFMHS4/0N	GRD STL POLE RS FULL MASTIC 4/0N