	ILLUMINATION SHOEBOX STREETLIGHT	1920
		Sheet 1 of 1
Rev: 08/01/20		

1920

SHOE BOX STREET LIGHTS

CONTAINS

- 1920-14 SHOE BOX 1&2-6IN ARM 25FT POLE 100W EQUIV LED**
- 1920-16 SHOE BOX 1&2-6IN ARM 30FT POLE 250W EQUIV LED**
- 1920-18 SHOE BOX 1&2-6IN ARM 45FT POLE 400W EQUIV LED**
- 1920-20 SHOE BOX 1&2-6FT ARM 25FT POLE 100W EQUIV LED**
- 1920-22 SHOE BOX 1&2-6FT ARM 30FT POLE 250W EQUIV LED**
- 1920-24 SHOE BOX 1&2 6FT ARM 45FT POLE 400W EQUIV LED**
- SHOEBOX BREAK-A-WAY BASE**
- 1918-28 BREAK-A-WAY BASE FOR 25FT/30FT POLES**

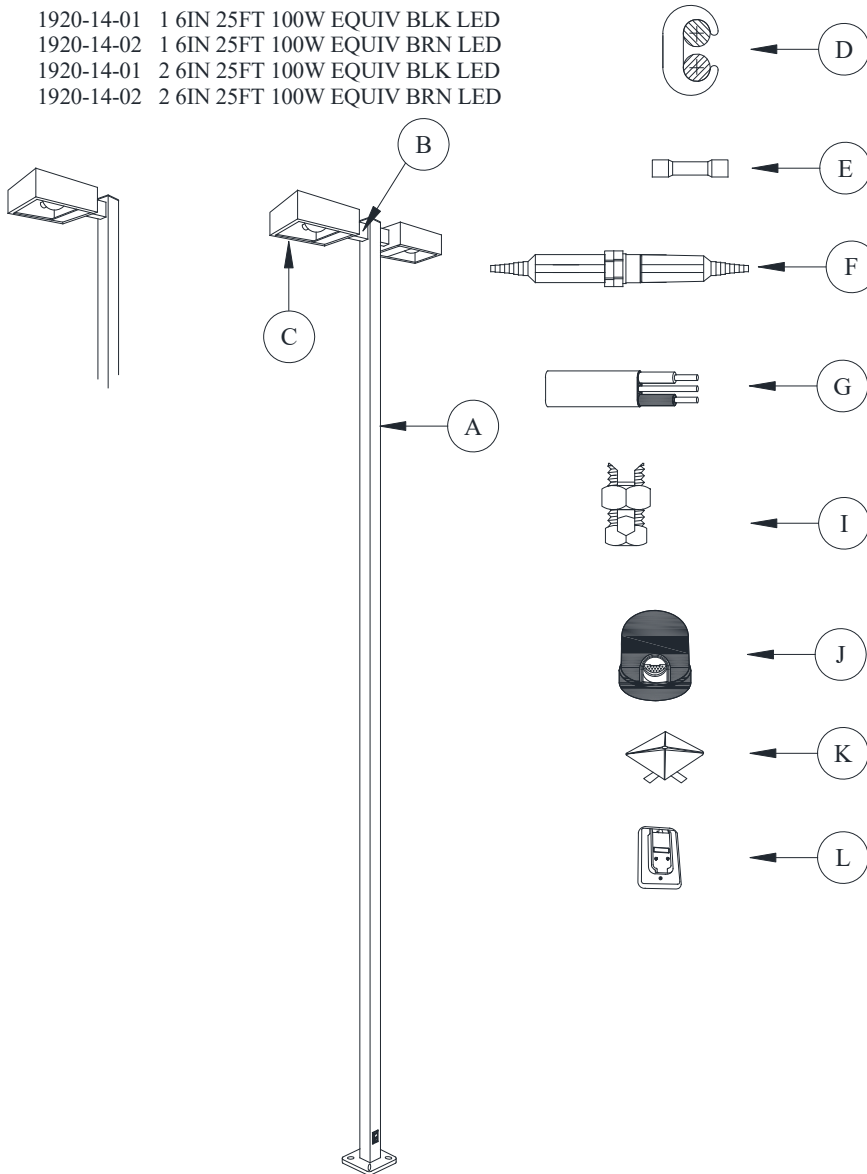
ILLUMINATION
SHOEBOX STREETLIGHT

SHOE BOX 1 & 2 6IN ARM 25FT POLE 100W EQUIV LED



Rev: 08/01/20

- 1920-14-01 1 6IN 25FT 100W EQUIV BLK LED
- 1920-14-02 1 6IN 25FT 100W EQUIV BRN LED
- 1920-14-01 2 6IN 25FT 100W EQUIV BLK LED
- 1920-14-02 2 6IN 25FT 100W EQUIV BRN LED





Rev: 08/01/20

ILLUMINATION
SHOEBOX STREETLIGHT
SHOE BOX 1 & 2 6IN ARM 25FT POLE 100W EQUIV LED

1920-14

Sheet 2 of 3

MU

MU-ID

MU-REF

MU-DESCRIPTION

SHBX1-6IN25FT100LEDMVBLK

19201401

SHOE BOX 1-6IN ARM 25FT 100W LED MV BLK


ID	CU-REF	CU-DESC	QTY	MU-REF
A	19200101	SHOE BOX 25FT POLE BLK	1	19201401
B	19200212	SHOE BOX 6IN ARM BLK	1	19201401
C	19200628	SHOE BOX FIX 100W LED 120V BLK	1	19201401
D	19287003	CLAMP COMPRESSION CU #10 TO #12	3	19201401
E	19284520	MIDGET FUSE 5 AMP 600V AC	1	19201401
F	19284505	FUSE HOLDER BREAKAWAY 1IN AND 1OUT	1	19201401
G	12080402	WIRE # 12 CU 2C W/GRD	30	19201401
I	12450411	CONN SPLIT BOLT 6 SOLID CU	1	19201401
J	19282070	CONTROLLER, COMM 5 PIN HD ST LT 70-1000W	1	19201401
K	19200801	SHOE BOX POLE CAP 4IN BLK	1	19201401
L	19200702	SHOE BOX HAND HOLE COVER BLK	1	19201401

SHBX1-6IN25FT100LEDMVBRN

19201402

SHOE BOX 1 6IN ARM 25FT 100W LED MV BRN

ID	CU-REF	CU-DESC	QTY	MU-REF
A	19200102	SHOE BOX 25FT POLE BRN	1	19201402
B	19200214	SHOE BOX 6IN ARM BRN	1	19201402
C	19200629	SHOE BOX FIX 100W LED 120V BRN	1	19201402
D	19287003	CLAMP COMPRESSION CU #10 TO #12	3	19201402
E	19284520	MIDGET FUSE 5 AMP 600V AC	1	19201402
F	19284505	FUSE HOLDER BREAKAWAY 1IN AND 1OUT	1	19201402
G	12080402	WIRE # 12 CU 2C W/GRD	30	19201402
I	12450411	CONN SPLIT BOLT 6 SOLID CU	1	19201402
J	19282070	CONTROLLER, COMM 5 PIN HD ST LT 70-1000W	1	19201402
K	19200802	SHOE BOX POLE CAP 4IN BRN	1	19201402
L	19200704	SHOE BOX HAND HOLE COVER BRN	1	19201402

1920-14	ILLUMINATION	
Sheet 3 of 3	SHOEBOX STREETLIGHT	
	SHOE BOX 1 & 2 6IN ARM 25FT POLE 100W EQUIV LED	Rev: 08/01/20

MU-ID	MU-REF	MU-DESCRIPTION
--------------	---------------	-----------------------

SHBX2-6IN25FT100LEDMVBLK	19201411	SHOE BOX 2-6IN ARM 25FT 100W LED MV BLK
--------------------------	----------	---

ID	CU-REF	CU-DESC	QTY	MU-REF
A	19200101	SHOE BOX 25FT POLE BLK	1	19201411
B	19200212	SHOE BOX 6IN ARM BLK	2	19201411
C	19200628	SHOE BOX FIX 100W LED 120V BLK	2	19201411
D	19287003	CLAMP COMPRESSION CU #10 TO #12	6	19201411
E	19284520	MIDGET FUSE 5 AMP 600V AC	2	19201411
F	19284505	FUSE HOLDER BREAKAWAY 1IN AND 1OUT	2	19201411
G	12080402	WIRE # 12 CU 2C W/GRD	60	19201411
I	12450411	CONN SPLIT BOLT 6 SOLID CU	2	19201411
J	19282070	CONTROLLER, COMM 5 PIN HD ST LT 70-1000W	2	19201411
K	19200801	SHOE BOX POLE CAP 4IN BLK	1	19201411
L	19200702	SHOE BOX HAND HOLE COVER BLK	1	19201411

SHBX2-6IN25FT100LEDMVBRN	19201412	SHOE BOX 2-6IN ARM 25FT 100W LED MV BRN
--------------------------	----------	---

ID	CU-REF	CU-DESC	QTY	MU-REF
A	19200102	SHOE BOX 25FT POLE BRN	1	19201412
B	19200214	SHOE BOX 6IN ARM BRN	2	19201412
C	19200629	SHOE BOX FIX 100W LED 120V BRN	2	19201412
D	19287003	CLAMP COMPRESSION CU #10 TO #12	6	19201412
E	19284520	MIDGET FUSE 5 AMP 600V AC	2	19201412
F	19284505	FUSE HOLDER BREAKAWAY 1IN AND 1OUT	2	19201412
G	12080402	WIRE # 12 CU 2C W/GRD	60	19201412
I	12450411	CONN SPLIT BOLT 6 SOLID CU	2	19201412
J	19282070	CONTROLLER, COMM 5 PIN HD ST LT 70-1000W	2	19201412
K	19200802	SHOE BOX POLE CAP 4IN BRN	1	19201412
L	19200704	SHOE BOX HAND HOLE COVER BRN	1	19201412

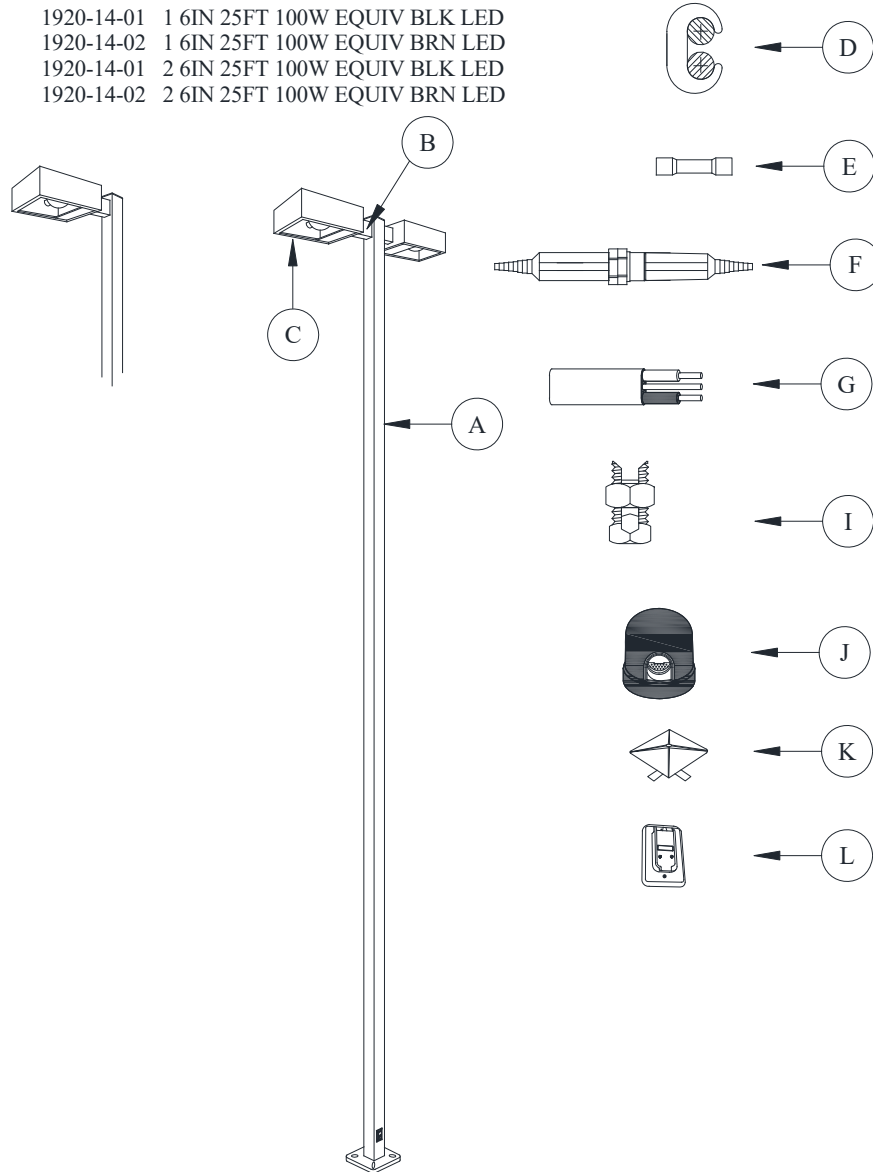



Rev: 08/01/20

ILLUMINATION
SHOEBOX STREETLIGHT
SHOE BOX 1 & 2 6IN ARM 25FT POLE 100W EQUIV LED

1920-15

Sheet 1 of 3



1920-15	ILLUMINATION SHOEBOX STREETLIGHT SHOE BOX 1 & 2 6IN ARM 25FT POLE 100W EQUIV LED	
Sheet 2 of 3		
		Rev: 08/01/20

MU

MU-ID MU-REF MU-DESCRIPTION

ID	CU-REF	CU-DESC	QTY	MU-REF

ID	CU-REF	CU-DESC	QTY	MU-REF



Rev: 08/01/20

ILLUMINATION
SHOEBOX STREETLIGHT
SHOE BOX 1 & 2 6IN ARM 25FT POLE 100W EQUIV LED

1920-15

Sheet 3 of 3


MU-ID

MU-REF

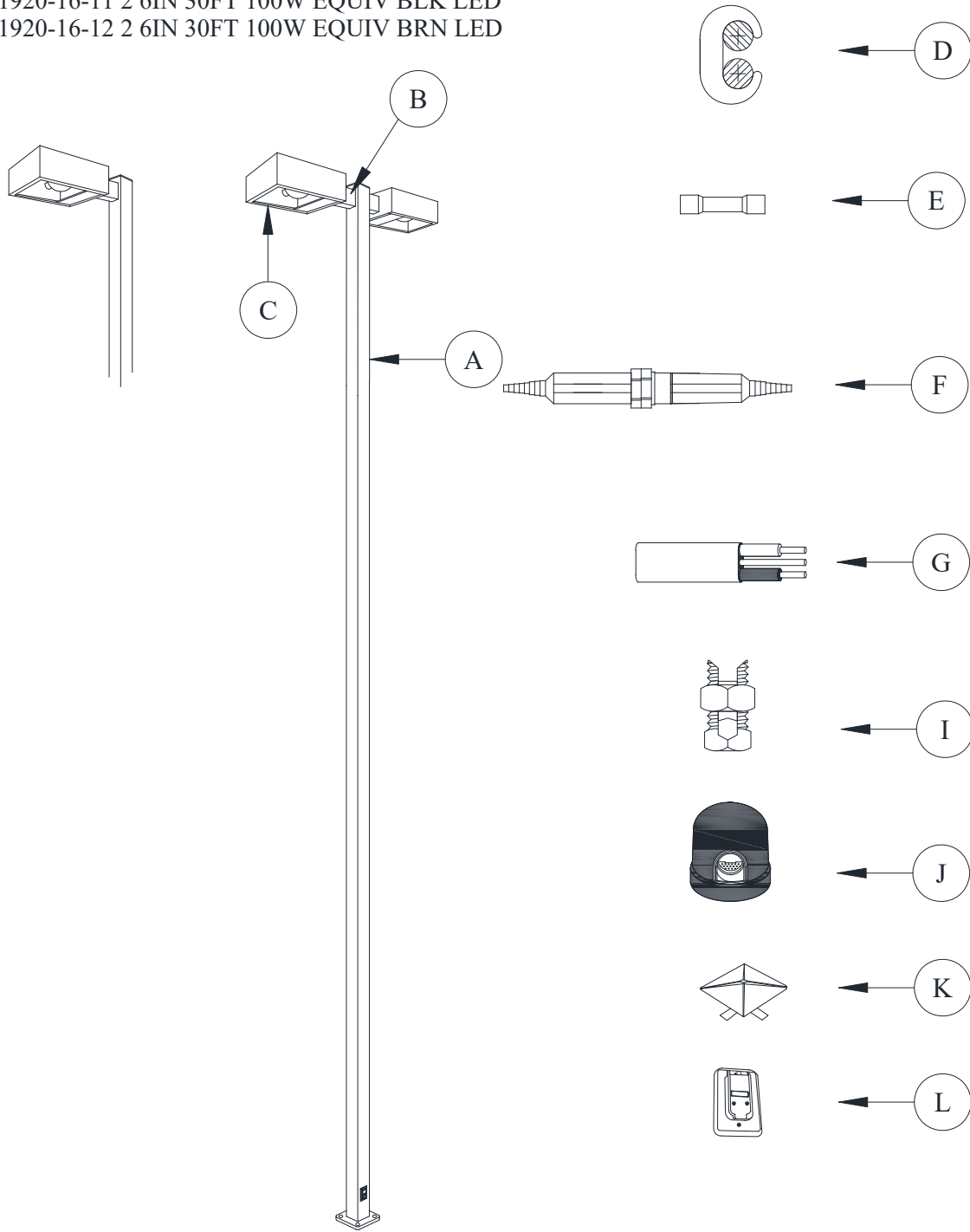
MU-DESCRIPTION

ID	CU-REF	CU-DESC	QTY	MU-REF

ID	CU-REF	CU-DESC	QTY	MU-REF

1920-16	ILLUMINATION SHOEBOX STREETLIGHT SHOE BOX 1 & 2 6IN ARM 30FT POLE 100W EQUIV LED	
Sheet 1 of 3		Rev: 08/01/20

1920-16-01 1 6IN 30FT 100W EQUIV BLK LED
 1920-16-02 1 6IN 30FT 100W EQUIV BRN LED
 1920-16-11 2 6IN 30FT 100W EQUIV BLK LED
 1920-16-12 2 6IN 30FT 100W EQUIV BRN LED





Rev: 08/01/20

**ILLUMINATION
SHOEBOX STREETLIGHT
SHOE BOX 1 & 2 6IN ARM 30FT POLE 100W EQUIV LED**

1920-16

Sheet 2 of 3

MU

MU-ID

MU-REF

MU-DESCRIPTION

SHBX1-6IN30FT250WLEDMVBLK 19201601


SHOE BX 1 6IN ARM 30FT 250W LED MV BLK

ID	CU-REF	CU-DESC	QTY	MU-REF
A	19200104	SHOE BOX 30FT POLE BLK	1	19201601
B	19200212	SHOE BOX 6IN ARM BLK	1	19201601
C	19200630	SHOE BOX FIX 250W LED 120V BLK	1	19201601
D	19287003	CLAMP COMPRESSION CU #10 TO #12	3	19201601
E	19284520	MIDGET FUSE 5 AMP 600V AC	1	19201601
F	19284505	FUSE HOLDER BREAKAWAY 1IN AND 1OUT	1	19201601
G	12080402	WIRE # 12 CU 2C W/GRD	35	19201601
I	12450411	CONN SPLIT BOLT 6 SOLID CU	1	19201601
J	19282070	CONTROLLER, COMM 5 PIN HD ST LT 70-1000W	1	19201601
K	19200811	SHOE BOX POLE CAP 5IN BLK	1	19201601
L	19200702	SHOE BOX HAND HOLE COVER BLK	1	19201601

SHBX1-6IN30FT250WLEDMVBRN 19201602

SHOE BX 1 6IN ARM 30FT 250W LED MV BRN

ID	CU-REF	CU-DESC	QTY	MU-REF
A	19200105	SHOE BOX 30FT POLE BRN	1	19201602
B	19200204	SHOE BOX 6FT ARM BRN	1	19201602
C	19200631	SHOE BOX FIX 250W LED 120V BRN	1	19201602
D	19287003	CLAMP COMPRESSION CU #10 TO #12	3	19201602
E	19284520	MIDGET FUSE 5 AMP 600V AC	1	19201602
F	19284505	FUSE HOLDER BREAKAWAY 1IN AND 1OUT	1	19201602
G	12080402	WIRE # 12 CU 2C W/GRD	35	19201602
I	12450411	CONN SPLIT BOLT 6 SOLID CU	1	19201602
J	19282070	CONTROLLER, COMM 5 PIN HD ST LT 70-1000W	1	19201602
K	19200812	SHOE BOX POLE CAP 5IN BRN	1	19201602
L	19200704	SHOE BOX HAND HOLE COVER BRN	1	19201602

1920-16	ILLUMINATION	
Sheet 3 of 3	SHOEBOX STREETLIGHT	
	SHOE BOX 1 & 2 6IN ARM 30FT POLE 100W EQUIV LED	
		Rev: 08/01/20

MU-ID	MU-REF	MU-DESCRIPTION
--------------	---------------	-----------------------

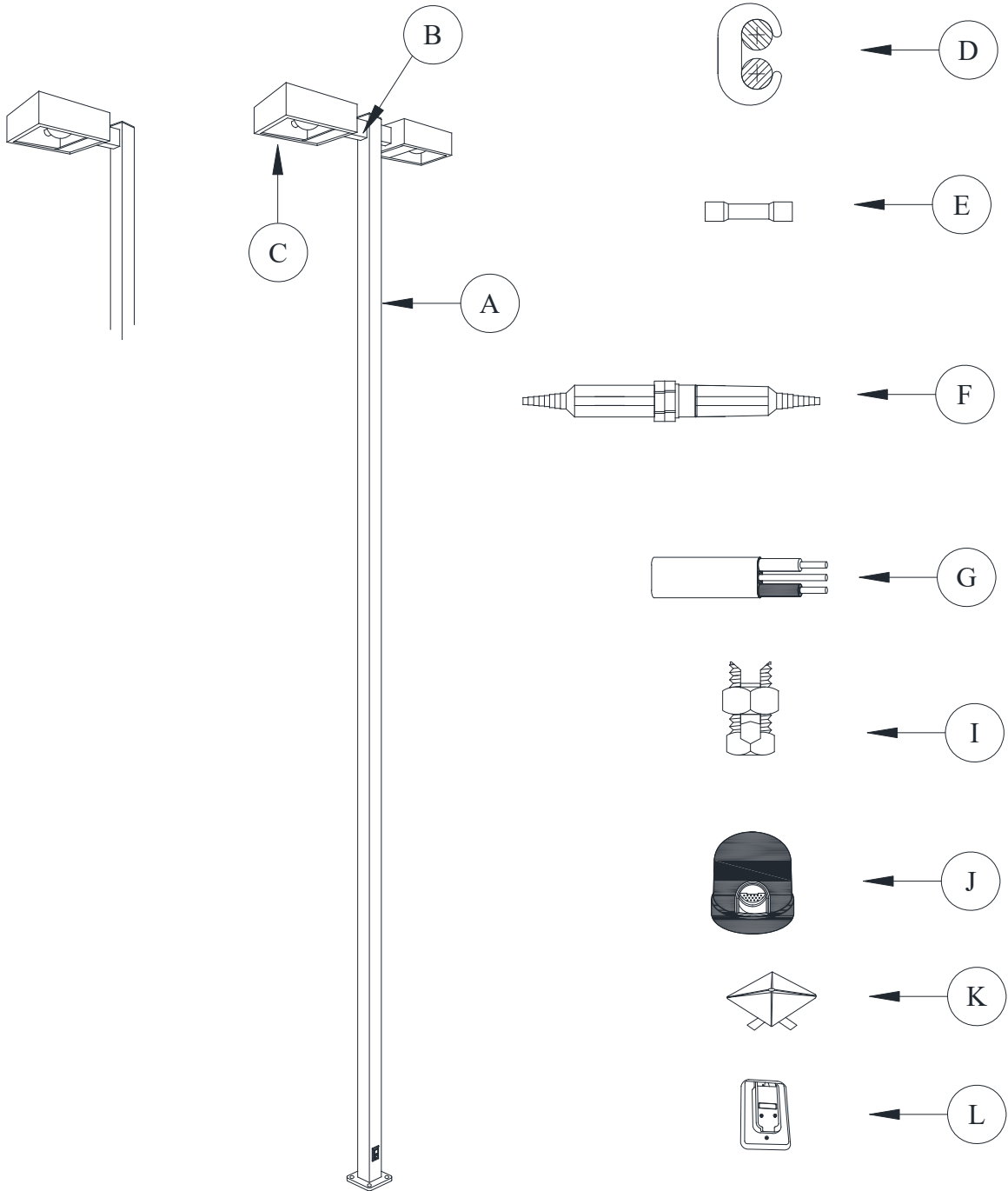
SHBX2-6IN30FT250WLEDMVBLK	19201611	SHOE BX 2 6IN ARM 30FT 250W LED MV BLK
---------------------------	----------	--


ID	CU-REF	CU-DESC	QTY	MU-REF
A	19200104	SHOE BOX 30FT POLE BLK	1	19201611
B	19200212	SHOE BOX 6IN ARM BLK	2	19201611
C	19200630	SHOE BOX FIX 250W LED 120V BLK	2	19201611
D	19287003	CLAMP COMPRESSION CU #10 TO #12	6	19201611
E	19284520	MIDGET FUSE 5 AMP 600V AC	2	19201611
F	19284505	FUSE HOLDER BREAKAWAY 1IN AND 1OUT	2	19201611
G	12080402	WIRE # 12 CU 2C W/GRD	70	19201611
I	12450411	CONN SPLIT BOLT 6 SOLID CU	2	19201611
J	19282070	CONTROLLER, COMM 5 PIN HD ST LT 70-1000W	2	19201611
K	19200811	SHOE BOX POLE CAP 5IN BLK	1	19201611
L	19200702	SHOE BOX HAND HOLE COVER BLK	1	19201611

SHBX2-6IN30FT250WLEDMVBRN	19201612	SHOE BX 2 6IN ARM 30FT 250W LED MV BRN
---------------------------	----------	--

ID	CU-REF	CU-DESC	QTY	MU-REF
A	19200105	SHOE BOX 30FT POLE BRN	1	19201612
B	19200214	SHOE BOX 6IN ARM BRN	2	19201612
C	19200631	SHOE BOX FIX 250W LED 120V BRN	2	19201612
D	19287003	CLAMP COMPRESSION CU #10 TO #12	6	19201612
E	19284520	MIDGET FUSE 5 AMP 600V AC	2	19201612
F	19284505	FUSE HOLDER BREAKAWAY 1IN AND 1OUT	2	19201612
G	12080402	WIRE # 12 CU 2C W/GRD	70	19201612
I	12450411	CONN SPLIT BOLT 6 SOLID CU	2	19201612
J	19282070	CONTROLLER, COMM 5 PIN HD ST LT 70-1000W	2	19201612
K	19200812	SHOE BOX POLE CAP 5IN BRN	1	19201612
L	19200704	SHOE BOX HAND HOLE COVER BRN	1	19201612

- 1920-18-01 1 6IN 45FT 400W EQUIV BLK LED
- 1920-18-02 1 6IN 45FT 400W EQUIV BRN LED
- 1920-18-11 2 6IN 45FT 400W EQUIV BLK LED
- 1920-18-12 2 6IN 45FT 400W EQUIV BRN LED



1920-18	ILLUMINATION	
Sheet 2 of 3	SHOEBOX STREETLIGHT	
	SHOE BOX 1 & 2 6IN ARM 45FT POLE 400W EQUIV LED	Rev: 08/01/20

MU

MU-ID

MU-REF

MU-DESCRIPTION

SHBX1-6IN45FT400WLEDMVBLK 19201801


SHOE BX 1 6IN ARM 45FT 400W LED MV BLK

ID	CU-REF	CU-DESC	QTY	MU-REF
A	19200107	SHOE BOX 45FT POLE BLK	1	19201801
B	19200212	SHOE BOX 6IN ARM BLK	1	19201801
C	19200632	SHOE BOX FIX 400W LED 120V BLK	1	19201801
D	19287003	CLAMP COMPRESSION CU #10 TO #12	3	19201801
E	19284520	MIDGET FUSE 5 AMP 600V AC	1	19201801
F	19284505	FUSE HOLDER BREAKAWAY 1IN AND 1OUT	1	19201801
G	12080402	WIRE # 12 CU 2C W/GRD	50	19201801
I	12450411	CONN SPLIT BOLT 6 SOLID CU	1	19201801
J	19282070	CONTROLLER, COMM 5 PIN HD ST LT 70-1000W	1	19201801
K	19200821	SHOE BOX POLE CAP 8IN BLK	1	19201801
L	19200702	SHOE BOX HAND HOLE COVER BLK	1	19201801

SHBX1-6IN45FT400WLEDMVBRN 19201802

SHOE BX 1 6IN ARM 45FT 400W LED MV BRN

ID	CU-REF	CU-DESC	QTY	MU-REF
A	19200102	SHOE BOX 25FT POLE BRN	1	19201802
B	19200214	SHOE BOX 6IN ARM BRN	1	19201802
C	19200633	SHOE BOX FIX 400W LED 120V BRN	1	19201802
D	19287003	CLAMP COMPRESSION CU #10 TO #12	6	19201802
E	19284520	MIDGET FUSE 5 AMP 600V AC	2	19201802
F	19284505	FUSE HOLDER BREAKAWAY 1IN AND 1OUT	2	19201802
G	12080402	WIRE # 12 CU 2C W/GRD	50	19201802
I	12450411	CONN SPLIT BOLT 6 SOLID CU	2	19201802
J	19282070	CONTROLLER, COMM 5 PIN HD ST LT 70-1000W	2	19201802
K	19200822	SHOE BOX POLE CAP 8IN BRN	1	19201802
L	19200704	SHOE BOX HAND HOLE COVER BRN	1	19201802

 Rev: 08/01/20	ILLUMINATION SHOEBOX STREETLIGHT SHOE BOX 1 & 2 6IN ARM 45FT POLE 400W EQUIV LED	1920-18 Sheet 3 of 3

MU-ID**MU-REF****MU-DESCRIPTION**

SHBX2-6IN45FT400WLEDMVBLK 19201811

SHOE BX 2 6IN ARM 45FT 400W LED MV BLK

ID	CU-REF	CU-DESC	QTY	MU-REF
A	19200107	SHOE BOX 45FT POLE BLK	1	19201811
B	19200212	SHOE BOX 6IN ARM BLK	2	19201811
C	19200632	SHOE BOX FIX 400W LED 120V BLK	2	19201811
D	19287003	CLAMP COMPRESSION CU #10 TO #12	6	19201811
E	19284520	MIDGET FUSE 5 AMP 600V AC	2	19201811
F	19284505	FUSE HOLDER BREAKAWAY 1IN AND 1OUT	2	19201811
G	12080402	WIRE # 12 CU 2C W/GRD	100	19201811
I	12450411	CONN SPLIT BOLT 6 SOLID CU	2	19201811
J	19282070	CONTROLLER, COMM 5 PIN HD ST LT 70-1000W	2	19201811
K	19200821	SHOE BOX POLE CAP 8IN BLK	1	19201811
L	19200702	SHOE BOX HAND HOLE COVER BLK	1	19201811

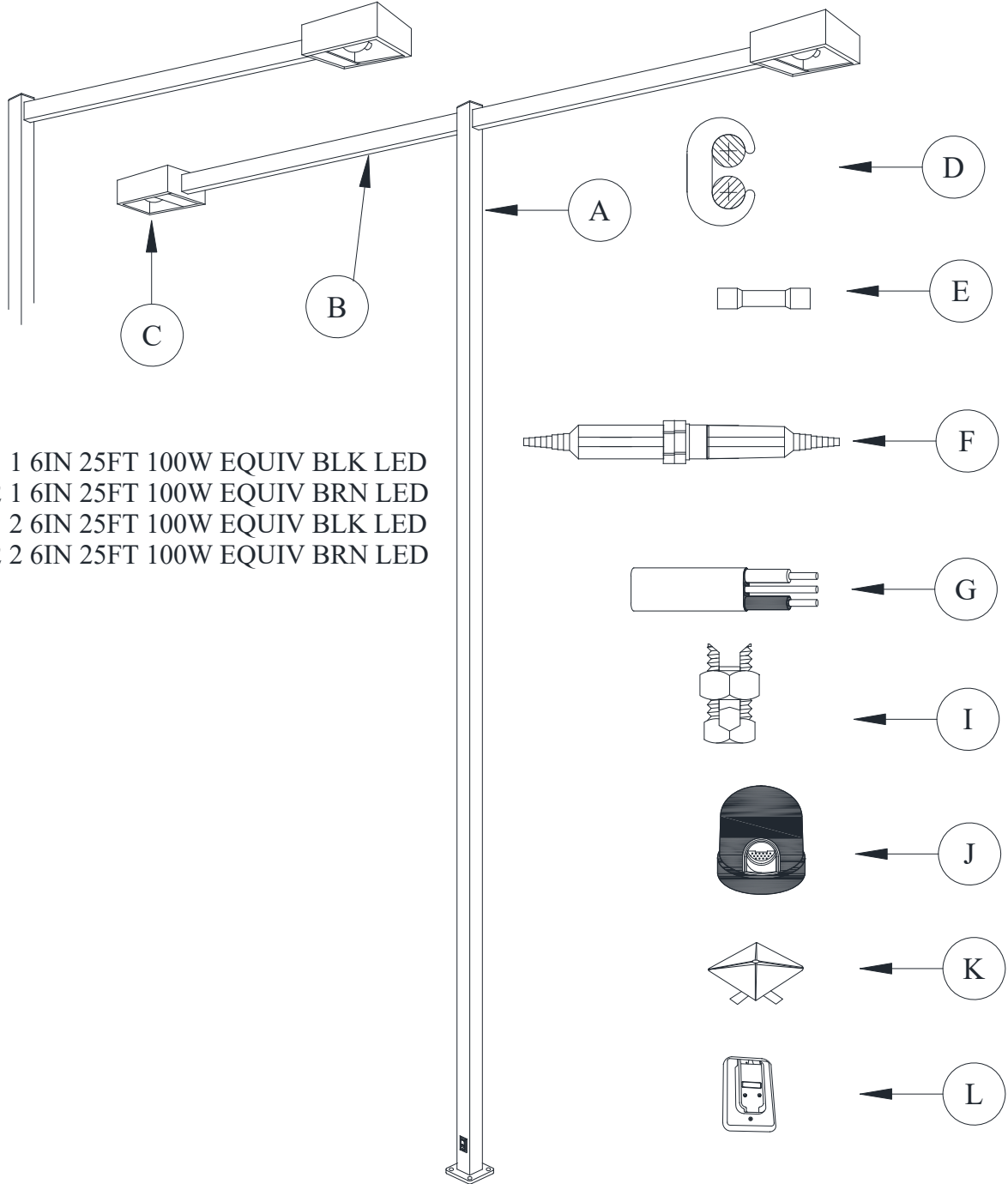
SHBX2-6IN45FT400WLEDMVBRN 19201812

SHOE BX 2 6IN ARM 45FT 400W LED MV BRN


ID	CU-REF	CU-DESC	QTY	MU-REF
A	19200108	SHOE BOX 45FT POLE BRN	1	19201812
B	19200214	SHOE BOX 6IN ARM BRN	2	19201812
C	19200633	SHOE BOX FIX 400W LED 120V BRN	2	19201812
D	19287003	CLAMP COMPRESSION CU #10 TO #12	6	19201812
E	19284520	MIDGET FUSE 5 AMP 600V AC	2	19201812
F	19284505	FUSE HOLDER BREAKAWAY 1IN AND 1OUT	2	19201812
G	12080402	WIRE # 12 CU 2C W/GRD	100	19201812
I	12450411	CONN SPLIT BOLT 6 SOLID CU	2	19201812
J	19282070	CONTROLLER, COMM 5 PIN HD ST LT 70-1000W	2	19201812
K	19200822	SHOE BOX POLE CAP 8IN BRN	1	19201812
L	19200704	SHOE BOX HAND HOLE COVER BRN	1	19201812

ILLUMINATION
SHOEBOX STREETLIGHT

SHOE BOX 1 & 2 6FT ARMS 25FT POLE 100W EQUIV LED



- 1920-20-01 1 6IN 25FT 100W EQUIV BLK LED
- 1920-20-02 1 6IN 25FT 100W EQUIV BRN LED
- 1920-20-11 2 6IN 25FT 100W EQUIV BLK LED
- 1920-20-12 2 6IN 25FT 100W EQUIV BRN LED

	ILLUMINATION SHOEBOX STREETLIGHT SHOE BOX 1 & 2 6FT ARMS 25FT POLE 100W EQUIV LED	1920-20
	Rev: 08/01/20	Sheet 2 of 3

MU


MU-ID MU-REF MU-DESCRIPTION

SHBX1-6FT25FT100WLEDMVBLK 19202001 SHOE BOX 1-6FT ARM 25FT 100W LED MV BLK

ID	CU-REF	CU-DESC	QTY	MU-REF
A	19200101	SHOE BOX 25FT POLE BLK	1	19202001
B	19200202	SHOE BOX 6FT ARM BLK	1	19202001
C	19200628	SHOE BOX FIX 100W LED 120V BLK	1	19202001
D	19287003	CLAMP COMPRESSION CU #10 TO #12	3	19202001
E	19284520	MIDGET FUSE 5 AMP 600V AC	1	19202001
F	19284505	FUSE HOLDER BREAKAWAY 1IN AND 1OUT	1	19202001
G	12080402	WIRE # 12 CU 2C W/GRD	36	19202001
I	12450411	CONN SPLIT BOLT 6 SOLID CU	1	19202001
J	19282070	CONTROLLER, COMM 5 PIN HD ST LT 70-1000W	1	19202001
K	19200801	SHOE BOX POLE CAP 4IN BLK	1	19202001
L	19200702	SHOE BOX HAND HOLE COVER BLK	1	19202001

SHBX1-6FT25FT100WLEDMVBRN 19202002 SHOE BOX 1-6FT ARM 25FT 100W LED MV BRN

ID	CU-REF	CU-DESC	QTY	MU-REF
A	19200102	SHOE BOX 25FT POLE BRN	1	19202002
B	19200204	SHOE BOX 6FT ARM BRN	1	19202002
C	19200629	SHOE BOX FIX 100W LED 120V BRN	1	19202002
D	19287003	CLAMP COMPRESSION CU #10 TO #12	3	19202002
E	19284520	MIDGET FUSE 5 AMP 600V AC	1	19202002
F	19284505	FUSE HOLDER BREAKAWAY 1IN AND 1OUT	1	19202002
G	12080402	WIRE # 12 CU 2C W/GRD	36	19202002
I	12450411	CONN SPLIT BOLT 6 SOLID CU	1	19202002
J	19282070	CONTROLLER, COMM 5 PIN HD ST LT 70-1000W	1	19202002
K	19200802	SHOE BOX POLE CAP 4IN BRN	1	19202002
L	19200704	SHOE BOX HAND HOLE COVER BRN	1	19202002

1920-20	ILLUMINATION	
Sheet 3 of 3	SHOEBOX STREETLIGHT	
	SHOE BOX 1 & 2 6FT ARMS 25FT POLE 100W EQUIV LED	
		Rev: 08/01/20

MU-ID	MU-REF	MU-DESCRIPTION
--------------	---------------	-----------------------

SHBX2-6FT25FT100WLEDMVBLK	19202011	SHOE BOX 2-6FT ARM 25FT 100W LED MV BLK
---------------------------	----------	---

ID	CU-REF	CU-DESC	QTY	MU-REF
A	19200101	SHOE BOX 25FT POLE BLK	1	19202011
B	19200202	SHOE BOX 6FT ARM BLK	2	19202011
C	19200628	SHOE BOX FIX 100W LED 120V BLK	2	19202011
D	19287003	CLAMP COMPRESSION CU #10 TO #12	6	19202011
E	19284520	MIDGET FUSE 5 AMP 600V AC	2	19202011
F	19284505	FUSE HOLDER BREAKAWAY 1IN AND 1OUT	2	19202011
G	12080402	WIRE # 12 CU 2C W/GRD	60	19202011
I	12450411	CONN SPLIT BOLT 6 SOLID CU	2	19202011
J	19282070	CONTROLLER, COMM 5 PIN HD ST LT 70-1000W	2	19202011
K	19200801	SHOE BOX POLE CAP 4IN BLK	1	19202011
L	19200702	SHOE BOX HAND HOLE COVER BLK	1	19202011

SHBX2-6FT25FT100WLEDMVBRN	19202012	SHOE BOX 2-6FT ARM 25FT 100W LED MV BRN
---------------------------	----------	---

ID	CU-REF	CU-DESC	QTY	MU-REF
A	19200102	SHOE BOX 25FT POLE BRN	1	19202012
B	19200204	SHOE BOX 6FT ARM BRN	2	19202012
C	19200629	SHOE BOX FIX 100W LED 120V BRN	2	19202012
D	19287003	CLAMP COMPRESSION CU #10 TO #12	6	19202012
E	19284520	MIDGET FUSE 5 AMP 600V AC	2	19202012
F	19284505	FUSE HOLDER BREAKAWAY 1IN AND 1OUT	2	19202012
G	12080402	WIRE # 12 CU 2C W/GRD	60	19202012
I	12450411	CONN SPLIT BOLT 6 SOLID CU	2	19202012
J	19282070	CONTROLLER, COMM 5 PIN HD ST LT 70-1000W	2	19202012
K	19200802	SHOE BOX POLE CAP 4IN BRN	1	19202012
L	19200704	SHOE BOX HAND HOLE COVER BRN	1	19202012

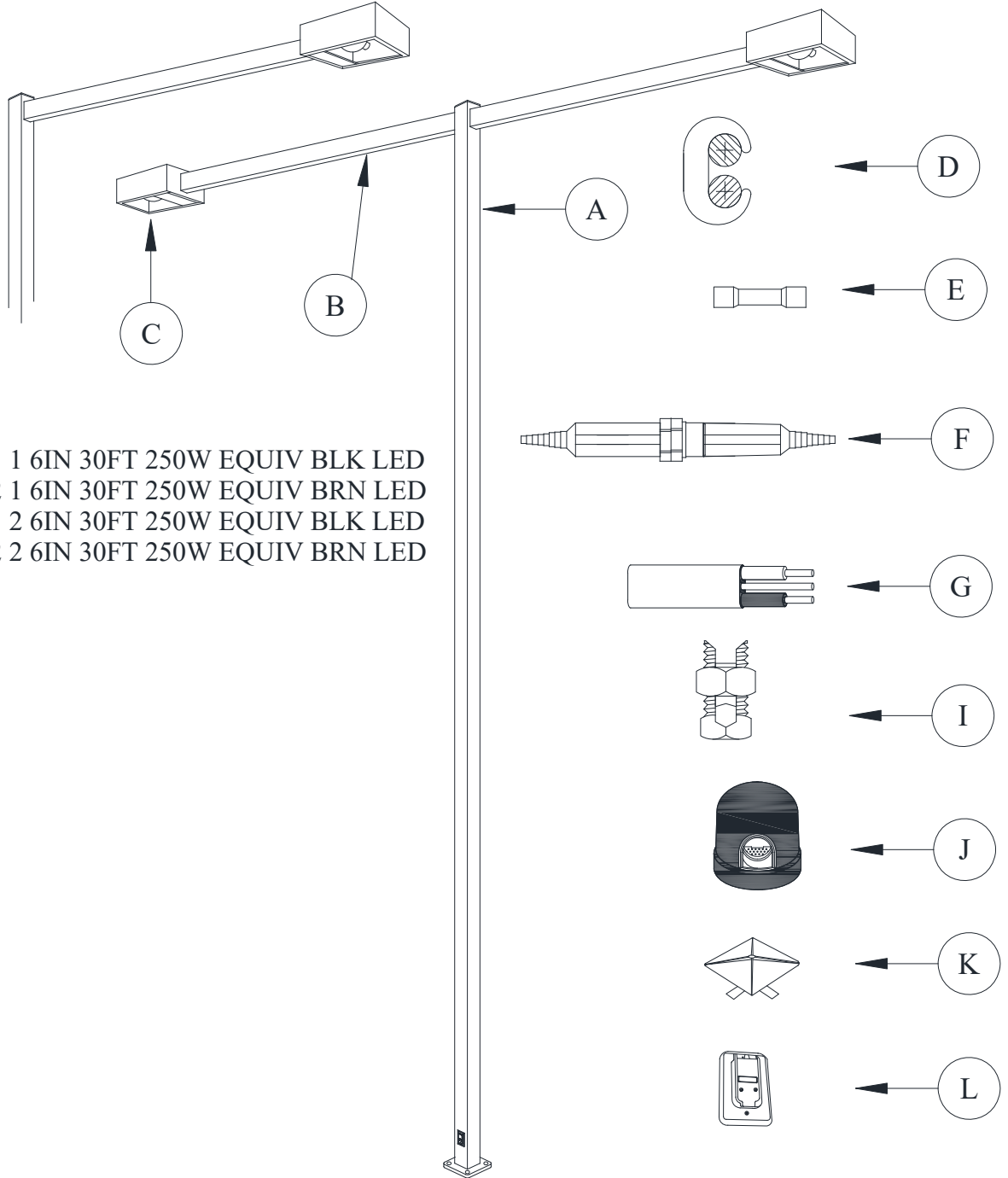


Rev: 08/01/20

ILLUMINATION
SHOEBOX STREETLIGHT
SHOE BOX 1 & 2 6FT ARMS 30FT POLE 100W EQUIV LED

1920-22

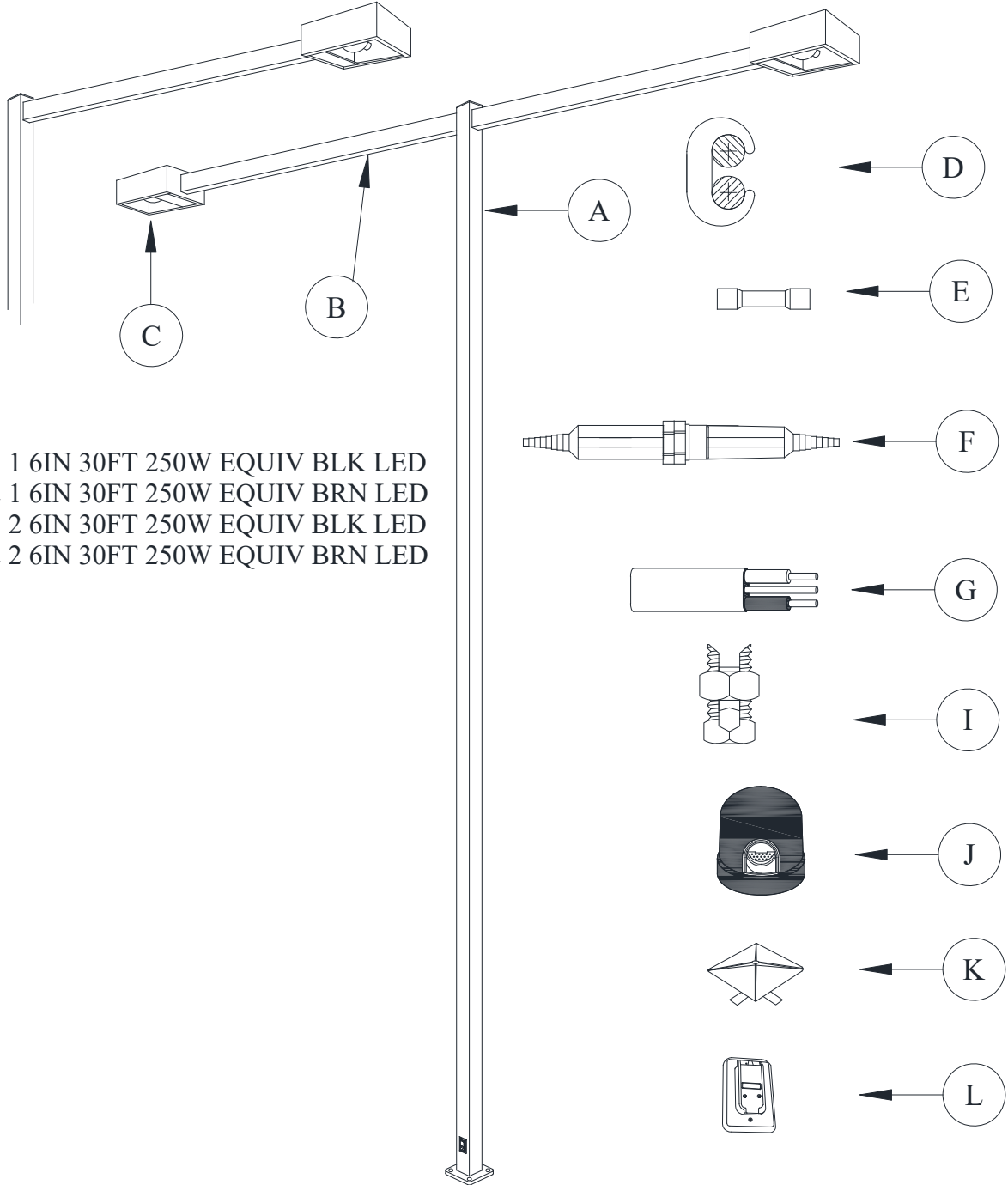
Sheet 1 of 3



- 1920-22-01 1 6IN 30FT 250W EQUIV BLK LED
- 1920-22-02 1 6IN 30FT 250W EQUIV BRN LED
- 1920-22-11 2 6IN 30FT 250W EQUIV BLK LED
- 1920-22-12 2 6IN 30FT 250W EQUIV BRN LED

ILLUMINATION
SHOEBOX STREETLIGHT

SHOE BOX 1 & 2 6FT ARMS 30FT POLE 250W EQUIV LED



- 1920-22-01 1 6IN 30FT 250W EQUIV BLK LED
- 1920-22-02 1 6IN 30FT 250W EQUIV BRN LED
- 1920-22-11 2 6IN 30FT 250W EQUIV BLK LED
- 1920-22-12 2 6IN 30FT 250W EQUIV BRN LED

 Rev: 08/01/20	ILLUMINATION SHOEBOX STREETLIGHT SHOE BOX 1 & 2 6FT ARMS 30FT POLE 250W EQUIV LED	1920-22
		Sheet 2 of 3

MU


MU-ID MU-REF MU-DESCRIPTION

SHBX1-6FT30FT250WLEDMVBLK 19202201 SHOE BX 1 6FT ARM 30FT 250W LED MV BLK

ID	CU-REF	CU-DESC	QTY	MU-REF
A	19200104	SHOE BOX 30FT POLE BLK	1	19202201
B	19200202	SHOE BOX 6FT ARM BLK	1	19202201
C	19200630	SHOE BOX FIX 250W LED 120V BLK	1	19202201
D	19287003	CLAMP COMPRESSION CU #10 TO #12	3	19202201
E	19284520	MIDGET FUSE 5 AMP 600V AC	1	19202201
F	19284505	FUSE HOLDER BREAKAWAY 1IN AND 1OUT	1	19202201
G	12080402	WIRE # 12 CU 2C W/GRD	35	19202201
I	12450411	CONN SPLIT BOLT 6 SOLID CU	1	19202201
J	19282070	CONTROLLER, COMM 5 PIN HD ST LT 70-1000W	1	19202201
K	19200811	SHOE BOX POLE CAP 5IN BLK	1	19202201
L	19200702	SHOE BOX HAND HOLE COVER BLK	1	19202201

SHBX1-6FT30FT250WLEDMVBRN 19202202 SHOE BX 1 6FT ARM 30FT 250W LED MV BRN

ID	CU-REF	CU-DESC	QTY	MU-REF
A	19200105	SHOE BOX 30FT POLE BRN	1	19202202
B	19200204	SHOE BOX 6FT ARM BRN	1	19202202
C	19200631	SHOE BOX FIX 250W LED 120V BRN	1	19202202
D	19287003	CLAMP COMPRESSION CU #10 TO #12	3	19202202
E	19284520	MIDGET FUSE 5 AMP 600V AC	1	19202202
F	19284505	FUSE HOLDER BREAKAWAY 1IN AND 1OUT	1	19202202
G	12080402	WIRE # 12 CU 2C W/GRD	35	19202202
I	12450411	CONN SPLIT BOLT 6 SOLID CU	1	19202202
J	19282070	CONTROLLER, COMM 5 PIN HD ST LT 70-1000W	1	19202202
K	19200812	SHOE BOX POLE CAP 5IN BRN	1	19202202
L	19200704	SHOE BOX HAND HOLE COVER BRN	1	19202202

1920-22	ILLUMINATION	
Sheet 3 of 3	SHOEBOX STREETLIGHT	
	SHOE BOX 1 & 2 6FT ARMS 30FT POLE 250W EQUIV LED	
		Rev: 08/01/20

MU-ID MU-REF MU-DESCRIPTION

SHBX2-6FT30FT250WLEDMVBLK 19202211 SHOE BOX 2 6FT ARM 30FT 250W LED MV BLK

ID	CU-REF	CU-DESC	QTY	MU-REF
A	19200104	SHOE BOX 30FT POLE BLK	1	19202211
B	19200202	SHOE BOX 6FT ARM BLK	2	19202211
C	19200630	SHOE BOX FIX 250W LED 120V BLK	2	19202211
D	19287003	CLAMP COMPRESSION CU #10 TO #12	6	19202211
E	19284520	MIDGET FUSE 5 AMP 600V AC	2	19202211
F	19284505	FUSE HOLDER BREAKAWAY 1IN AND 1OUT	2	19202211
G	12080402	WIRE # 12 CU 2C W/GRD	80	19202211
I	12450411	CONN SPLIT BOLT 6 SOLID CU	2	19202211
J	19282070	CONTROLLER, COMM 5 PIN HD ST LT 70-1000W	2	19202211
K	19200811	SHOE BOX POLE CAP 5IN BLK	1	19202211
L	19200702	SHOE BOX HAND HOLE COVER BLK	1	19202211

SHBX2-6FT30FT250WLEDMVBRN 19202212 SHOE BOX 2 6FT ARM 30FT 250W LED MV BRN

ID	CU-REF	CU-DESC	QTY	MU-REF
A	19200105	SHOE BOX 30FT POLE BRN	1	19202212
B	19200204	SHOE BOX 6FT ARM BRN	2	19202212
C	19200631	SHOE BOX FIX 250W LED 120V BRN	2	19202212
D	19287003	CLAMP COMPRESSION CU #10 TO #12	6	19202212
E	19284520	MIDGET FUSE 5 AMP 600V AC	2	19202212
F	19284505	FUSE HOLDER BREAKAWAY 1IN AND 1OUT	2	19202212
G	12080402	WIRE # 12 CU 2C W/GRD	80	19202212
I	12450411	CONN SPLIT BOLT 6 SOLID CU	2	19202212
J	19282070	CONTROLLER, COMM 5 PIN HD ST LT 70-1000W	2	19202212
K	19200812	SHOE BOX POLE CAP 5IN BRN	1	19202212
L	19200704	SHOE BOX HAND HOLE COVER BRN	1	19202212

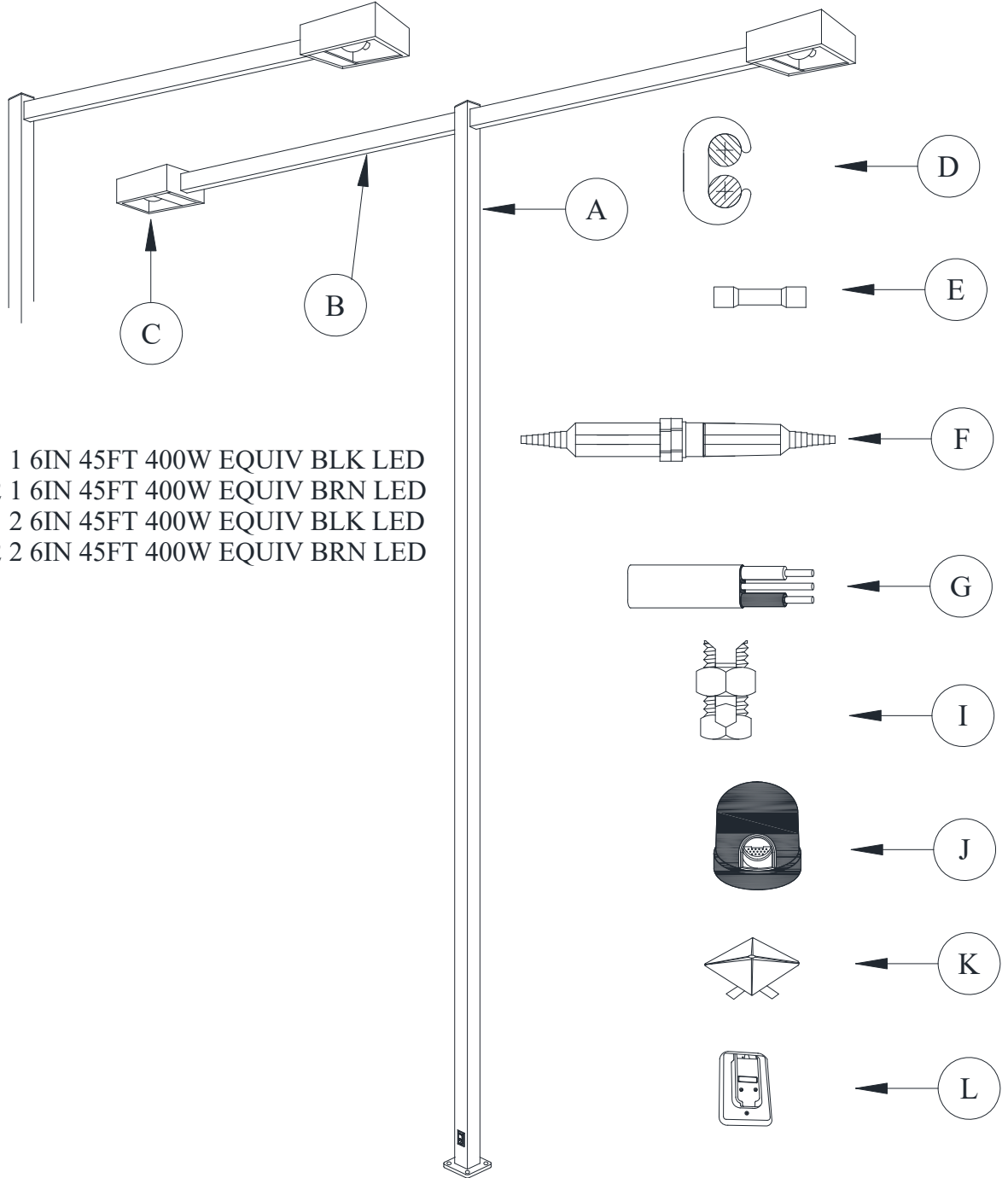


Rev: 08/01/20


ILLUMINATION
SHOEBOX STREETLIGHT
SHOE BOX 1 & 2 6FT ARMS 45FT POLE 400W EQUIV LED

1920-24

Sheet 1 of 3



- 1920-24-01 1 6IN 45FT 400W EQUIV BLK LED
- 1920-24-02 1 6IN 45FT 400W EQUIV BRN LED
- 1920-24-11 2 6IN 45FT 400W EQUIV BLK LED
- 1920-24-12 2 6IN 45FT 400W EQUIV BRN LED

 Rev: 08/01/20	ILLUMINATION SHOEBOX STREETLIGHT SHOE BOX 1 & 2 6FT ARMS 45FT POLE 400W EQUIV LED	1920-24 Sheet 3 of 3


MU-ID	MU-REF	MU-DESCRIPTION
--------------	---------------	-----------------------

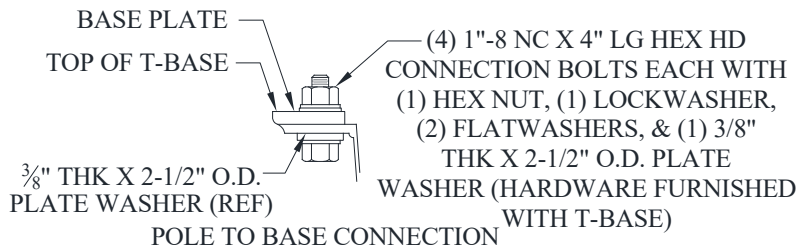
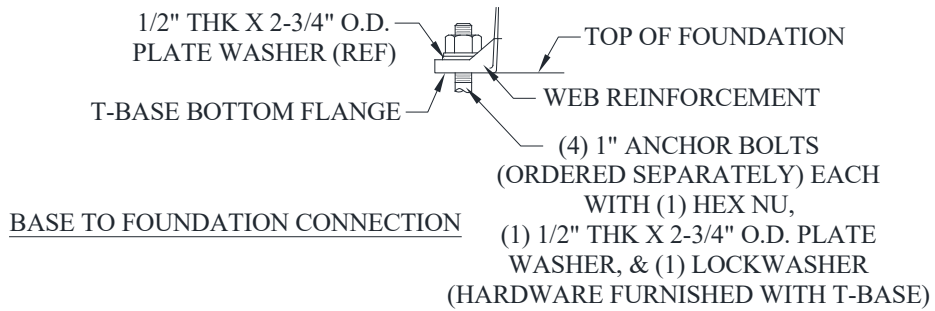
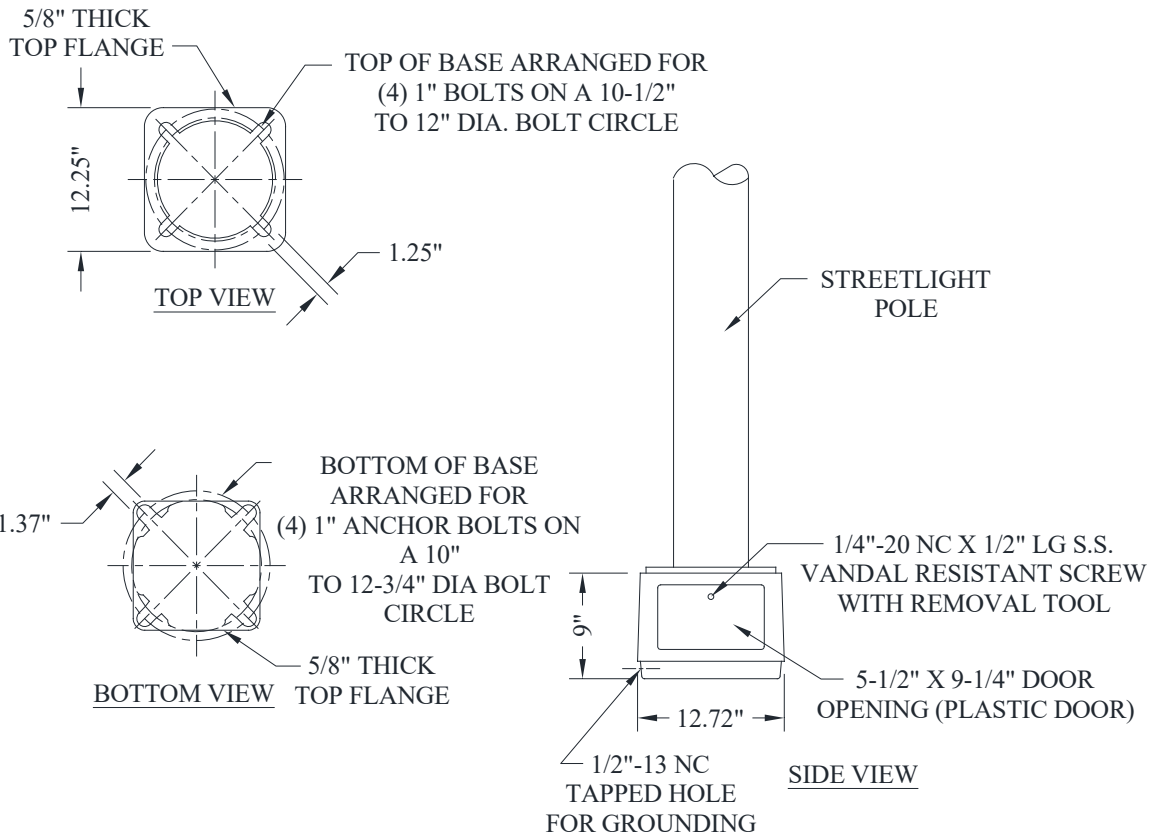
SHBX2-6FT45FT400WLEDMVBLK	19202411	SHOE BX 2 6FT ARM 45FT 400W LED MV BLK
---------------------------	----------	--

ID	CU-REF	CU-DESC	QTY	MU-REF
A	19200107	SHOE BOX 45FT POLE BLK	1	19202411
B	19200202	SHOE BOX 6FT ARM BLK	2	19202411
C	19200632	SHOE BOX FIX 400W LED 120V BLK	2	19202411
D	19287003	CLAMP COMPRESSION CU #10 TO #12	6	19202411
E	19284520	MIDGET FUSE 5 AMP 600V AC	2	19202411
F	19284505	FUSE HOLDER BREAKAWAY 1IN AND 1OUT	2	19202411
G	12080402	WIRE # 12 CU 2C W/GRD	110	19202411
I	12450411	CONN SPLIT BOLT 6 SOLID CU	2	19202411
J	19282070	CONTROLLER, COMM 5 PIN HD ST LT 70-1000W	2	19202411
K	19200821	SHOE BOX POLE CAP 8IN BLK	1	19202411
L	19200702	SHOE BOX HAND HOLE COVER BLK	1	19202411


SHBX2-6FT45FT400WLEDMVBRN	19202412	SHOE BX 2 6FT ARM 45FT 400W LED MV BRN
---------------------------	----------	--

ID	CU-REF	CU-DESC	QTY	MU-REF
A	19200108	SHOE BOX 45FT POLE BRN	1	19202412
B	19200204	SHOE BOX 6FT ARM BRN	2	19202412
C	19200633	SHOE BOX FIX 400W LED 120V BRN	2	19202412
D	19287003	CLAMP COMPRESSION CU #10 TO #12	6	19202412
E	19284520	MIDGET FUSE 5 AMP 600V AC	2	19202412
F	19284505	FUSE HOLDER BREAKAWAY 1IN AND 1OUT	2	19202412
G	12080402	WIRE # 12 CU 2C W/GRD	110	19202412
I	12450411	CONN SPLIT BOLT 6 SOLID CU	2	19202412
J	19282070	CONTROLLER, COMM 5 PIN HD ST LT 70-1000W	2	19202412
K	19200822	SHOE BOX POLE CAP 8IN BRN	1	19202412
L	19200704	SHOE BOX HAND HOLE COVER BRN	1	19202412

1918-28	ILLUMINATION	
Sheet 1 of 2	SHOEBOX STREETLIGHT	
	BREAK-A-WAY - 25FT/30FT 9 INCH TALL	Rev: 08/01/20



1928-28-01 9" BASE

	ILLUMINATION SHOEBOX STREETLIGHT BREAK-A-WAY - 25FT/30FT 9 INCH TALL	1918-28
		Sheet 2 of 2
Rev: 08/01/20		

CU

CU-ID	CU-REF	CU-Description
BRKAWYBS9INBLK25/30FTPOLE	19182801	BREAKAWAY BASE 9" TALL BLK FOR 25/30FT

ID	PART NUM	PART DESC	QTY	CU-REF
1	0000019984	BASE SLPABLK AL FOR 25-30FT POLE LATEST AASHTO APPR	1 EA	19182801

BRKAWYBS9INBRN25/30FTPOLE	19182803	BREAKAWAY BASE 9" TALL BRN FOR 25/30FT
---------------------------	----------	--

ID	PART NUM	PART DESC	QTY	CU-REF
1	0000024132	BASE, SLPA BRN AL 25-30FT POLE 9IN LATEST AASHTO APPR	1 EA	19182803