
	ILLUMINATION SHOEBOX STREETLIGHT	1921-1920
		Sheet 1 of 1
Rev: 08/01/20		

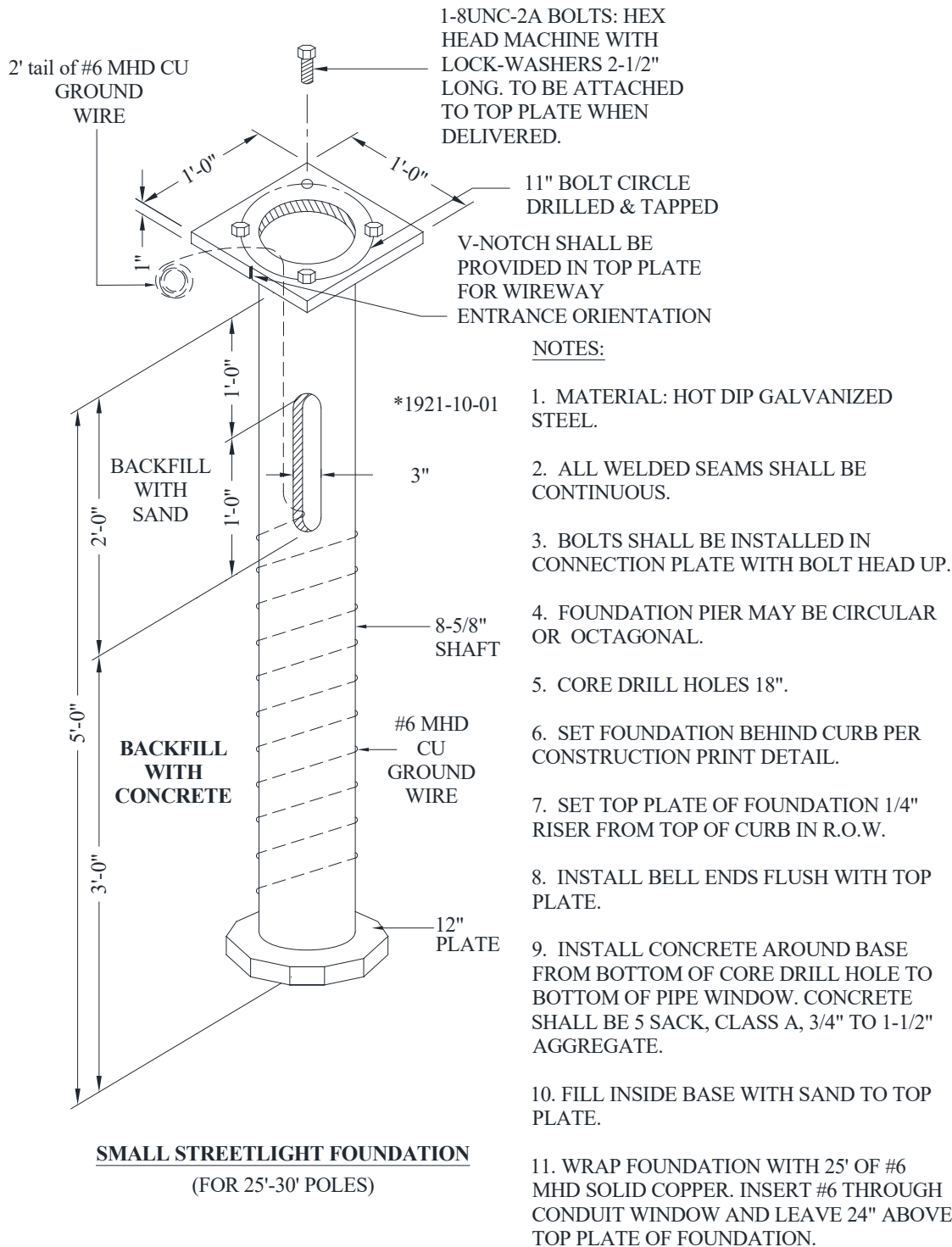
1921-1920 SHOE BOX MAINTENANCE STREET LIGHTS

CONTAINS


- 1921-10 FOUNDATION SMALL**
- 1921-20 FOUNDATION LARGE**
- 1920-01 SHOE BOX POLES**
- 1920-02 SHOE BOX ARMS**
- 1920-03 SHOE BOX BALLAST TRAYS**
- 1920-05 SHOE BOX DOOR, FRAME, LENS, GASKET**
- 1920-06 SHOE BOX FIXTURES**
- 1920-07 SHOE BOX HAND HOLE COVER**
- 1920-08 SHOE BOX POLE CAP**

1921-10	ILLUMINATION STREETLIGHT FOUNDATIONS	
Sheet 1 of 2		
FOUNDATION - 25/30FT		

1921




SMALL STREETLIGHT FOUNDATION
(FOR 25'-30' POLES)

	ILLUMINATION STREETLIGHT FOUNDATIONS FOUNDATION - 25/30FT	1921-10
		Sheet 2 of 2
Rev: 08/01/20		

CU

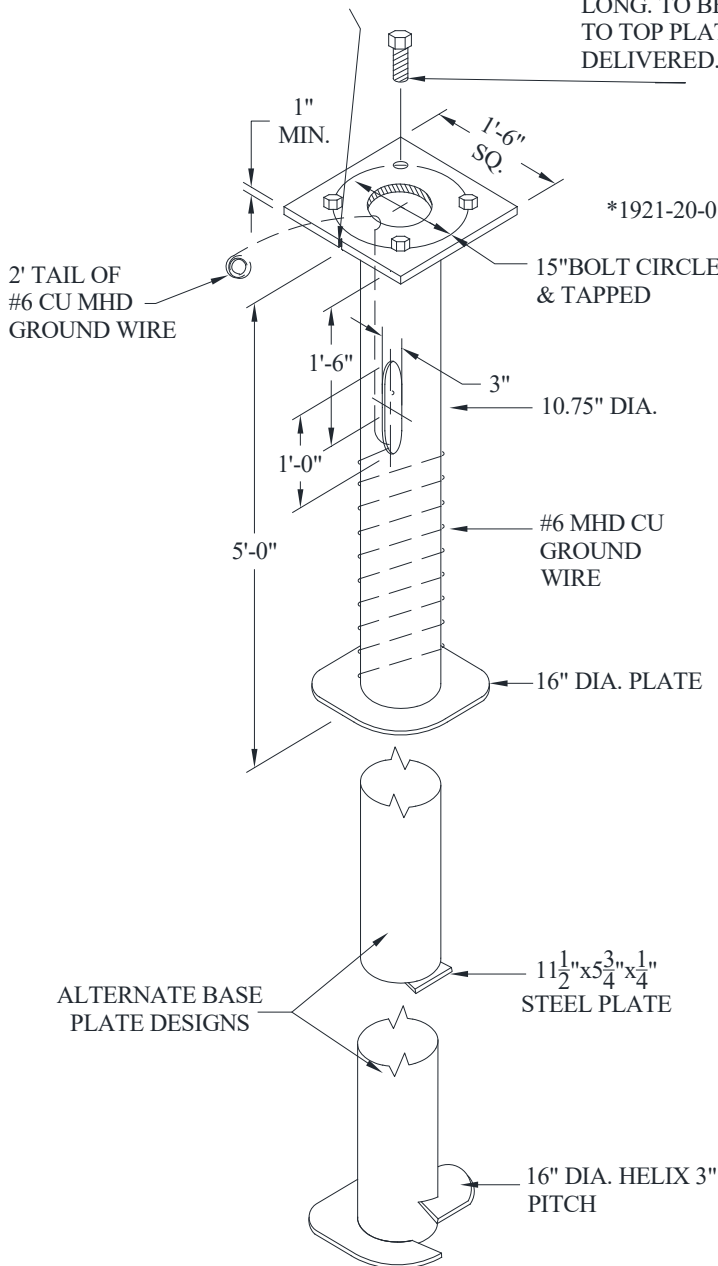
CU-ID	CU-REF	CU-Description
FNDSTLPL25/30FTHDWA	19211001A	FND STL POLE 25/30 FT HAND DIG EAST
FNDSTLPL25/30FTHDW	19211001B	FND STL POLE 25/30 FT HAND DIG WEST
FNDSTLPL25/30FTMDE	19211001C	FND STL POLE 25/30 FT MACHINEDIG EAST
FNDSTLPL25/30FTMDW	19211001D	FND STL POLE 25/30 FT MACHINEDIG WEST

ID	PART NUM	PART DESC	QTY	CU-REF
1	0000006743	SLPA FOUNDATION STL 8 IN X 5 FT	1 EA	19211001
2	0000004523	WIRE COP BARE MHD SOLID # 6 25LB/315/FT	25 EA	19211001

1921-20	ILLUMINATION	
Sheet 1 of 2	STREETLIGHT FOUNDATIONS	
	FOUNDATION 35/45FT	Rev: 08/01/20

V-NOTCH SHALL BE PROVIDED IN TOP PLATE FOR WIREWAY ENTRANCE ORIENTATION

1-1/4 IN -7UNC-2A BOLTS: HEX HEAD MACHINE WITH LOCK-WASHERS 3" LONG. TO BE ATTACHED TO TOP PLATE WHEN DELIVERED.




*1921-20-01

NOTES:

1. MATERIAL: HOT DIP GALVANIZED STEEL.
2. ALL WELDED SEAMS SHALL BE CONTINUOUS
3. BOLTS SHALL BE INSTALLED IN CONNECTION PLATE WITH BOLT HEAD UP.
4. FOUNDATION PIER MAY BE CIRCULAR OR OCTAGONAL.
5. CORE DRILL HOLES 18".
6. SET FOUNDATION BEHIND CURB PER CONSTRUCTION PRINT DETAIL.
7. SET TOP PLATE OF FOUNDATION 1/4" RISER FROM TOP OF CURB IN R.O.W.
8. INSTALL BELL ENDS FLUSH WITH TOP PLATE.
9. INSTALL CONCRETE AROUND BASE FROM BOTTOM OF CORE DRILL HOLE TO BOTTOM OF PIPE WINDOW.
10. FILL INSIDE BASE WITH SAND TO TOP PLATE.
11. WRAP FOUNDATION WITH 25' OF #6 MHD SOLID COPPER. INSERT #6 THROUGH CONDUIT WINDOW AND LEAVE 24" ABOVE TOP PLATE OF FOUNDATION.

LARGE STREETLIGHT FOUNDATION
(FOR 35'/45' POLES)

	ILLUMINATION STREETLIGHT FOUNDATIONS FOUNDATION 35/45FT	1921-20
	Rev: 08/01/20	Sheet 2 of 2

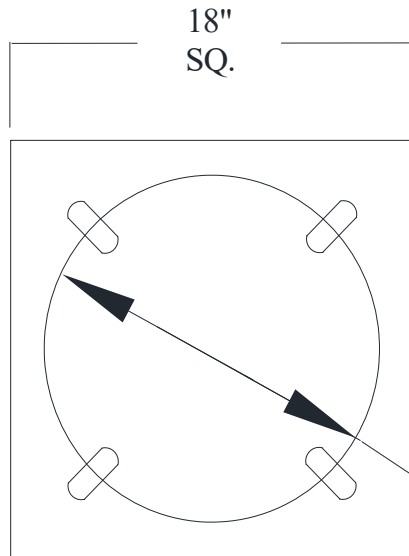
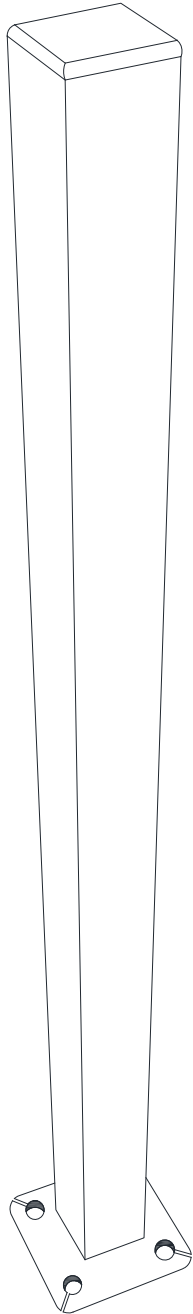
CU

CU-ID	CU-REF	CU-Description
FNDSTLPL35/45FTHTE	19212001A	FND STL POLE 35/45 FT HAND DIG EAST
FNDSTLPL35/45FTHDW	19212001B	FND STL POLE 35/45 FT HAND DIG WEST
FNDSTLPL35/45FTMDE	19212001C	FND STL POLE 35/45 FT MACHINE DIG EAST
FNDSTLPL35/45FTMDW	19212001D	FND STL POLE 35/45 FT MACHINE DIG WEST

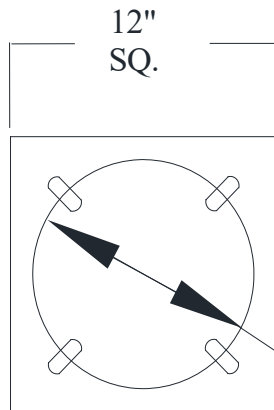
ID	PART NUM	PART DESC	QTY	CU-REF
1	0000006745	SLPA FOUNDATION STL 10-3/4 IN X 5 FT LARGE	1 EA	19212001
2	0000004523	WIRE COP BARE MHD SOLID # 6 25LB/315/FT	25 EA	19212001

ILLUMINATION
SHOE BOX STREET LIGHTS
SHOE BOX POLES

- 1920-01-01 POLE 25FT BLACK
- 1920-01-02 POLE 25FT BROWN
- 1920-01-03 POLE 25FT GREEN
- 1920-01-04 POLE 30FT BLACK
- 1920-01-05 POLE 30FT BROWN
- 1920-01-06 POLE 30FT GREEN
- 1920-01-07 POLE 45FT BLACK
- 1920-01-08 POLE 45FT BROWN
- 1920-01-09 POLE 45FT GREEN



**45 FOOT POLE BASE
 PLATE DETAIL**



**25 FOOT AND 30 FOOT
 BASE PLATE DETAIL**

NOTES:


1. BOTTOM OF POLE SHALL WELDED TO THE BOTTOM PLATE WITH A CONTINUOUS WELD.
2. BOTTOM PLATE SHALL HAVE 4 SLOTS 1-3/8 INCH WIDE FOR A 1-1/4 INCH BOLT.
3. SLOTS ON BOTTOM PLATE SHALL BE ON A 15 INCH BOLT HOLE CIRCLE TO THE CENTER OF THE SLOTS.

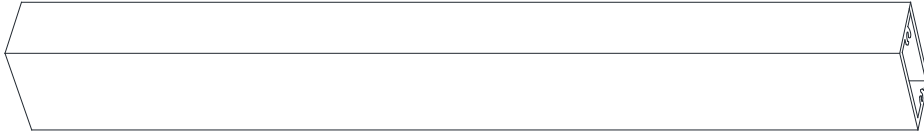
15" BOLT CIRCLE WITH
 1-3/8" WIDE SLOTS

NOTES:

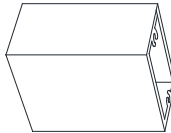
1. BOTTOM OF POLE SHALL WELDED TO THE BOTTOM PLATE WITH A CONTINUOUS WELD.
2. BOTTOM PLATE SHALL HAVE 4 SLOTS 1-1/8 INCH WIDE FOR A 1 INCH BOLT.
3. SLOTS ON BOTTOM PLATE SHALL BE ON A 11 INCH BOLT HOLE CIRCLE TO THE CENTER OF THE SLOTS.

11" BOLT CIRCLE WITH
 1-1/8" WIDE SLOTS

1920-02	ILLUMINATION SHOE BOX STREET LIGHTS SHOE BOX ARMS	
Sheet 1 of 2		Rev: 08/01/20



- 1920-02-02 ARM 6FT BLACK
- 1920-02-04 ARM 6FT BROWN



- 1920-02-12 ARM 6IN BLACK
- 1920-02-14 ARM 6IN BROWN



Rev: 08/01/20

ILLUMINATION
SHOE BOX STREET LIGHTS
SHOE BOX ARMS

1920-02

Sheet 2 of 2

CU

CU-ID **CU-REF** **CU-Description**

SHBX6FTBLKARM 19200202 SHOE BOX 6FT ARM BLK

ID	PART NUM	PART DESC	QTY		CU-REF
1	0000019040	ST LIGHT SHOE-BOX ARM 6FT BLK	1	EA	19200202

SHBX6FTBRNARM 19200204 SHOE BOX 6FT ARM BRN


ID	PART NUM	PART DESC	QTY		CU-REF
1	0000019041	ST LIGHT SHOE-BOX ARM 6FT BRN	1	EA	19200204

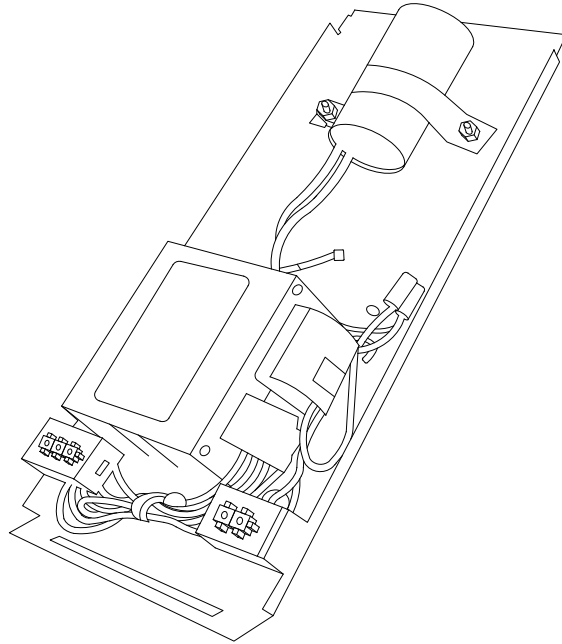
SHBX6INBLKARM 19200212 SHOE BOX 6IN ARM BLK

ID	PART NUM	PART DESC	QTY		CU-REF
1	0000019043	ST LIGHT SHOE-BOX ARM 6IN BLK	1	EA	19200212


SHBX6INBRNARM 19200214 SHOE BOX 6IN ARM BRN

ID	PART NUM	PART DESC	QTY		CU-REF
1	0000019044	ST LIGHT SHOE-BOX ARM 6IN BRN	1	EA	19200214

1920-03	ILLUMINATION SHOE BOX STREET LIGHTS SHOE BOX BALLAST TRAYS	
Sheet 1 of 2		Rev: 08/01/20



- 1920-03-10 BALLAST TRAY 100W HPS
- 1920-03-25 BALLAST TRAY 250W HPS
- 1920-03-40 BALLAST TRAY 400W HPS

	ILLUMINATION SHOE BOX STREET LIGHTS SHOE BOX BALLAST TRAYS	1920-03
		Sheet 2 of 2
Rev: 08/01/20		

CU

CU-ID	CU-REF	CU-Description
--------------	---------------	-----------------------

SHBXBALTRY100WHPS	19200310	SHOE BOX BALLAST TRAY 100W HPS
-------------------	----------	--------------------------------


ID	PART NUM	PART DESC	QTY		CU-REF
1	0000019046	ST LIGHT SHOE-BOX BALLAST TRAY 100W HPS	1	EA	19200310

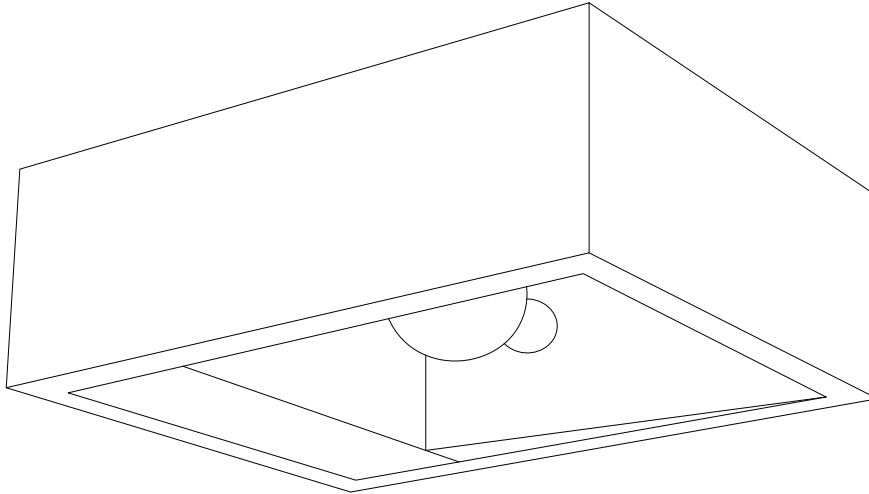
SHBXBALTRY250WHPS	19200325	SHOE BOX BALLAST TRAY 250W HPS
-------------------	----------	--------------------------------

ID	PART NUM	PART DESC	QTY		CU-REF
1	0000019047	ST LIGHT SHOE-BOX BALLAST TRAY 250W HPS	1	EA	19200325

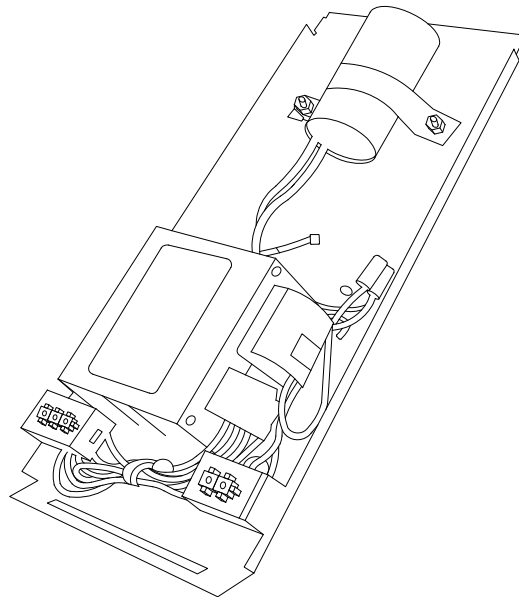
SHBXBALTRY400WHPS	19200340	SHOE BOX BALLAST TRAY 400W HPS
-------------------	----------	--------------------------------

ID	PART NUM	PART DESC	QTY		CU-REF
1	0000019048	ST LIGHT SHOE-BOX BALLAST TRAY 400W HPS	1	EA	19200340


1920-04	ILLUMINATION	
Sheet 1 of 2	SHOE BOX STREET LIGHTS	
	SHOE BOX FIXTURE AND BALLAST TRAY FOR CIRCLE C	Rev: 08/01/20



1920-04-12 CIRCLE C FIXTURE 175W



1920-04-02 BALLAST TRAY 175W HPS

	ILLUMINATION SHOE BOX STREET LIGHTS SHOE BOX FIXTURE AND BALLAST TRAY FOR CIRCLE C	1920-04
	Rev: 08/01/20	

CU


CU-ID	CU-REF	CU-Description
--------------	---------------	-----------------------

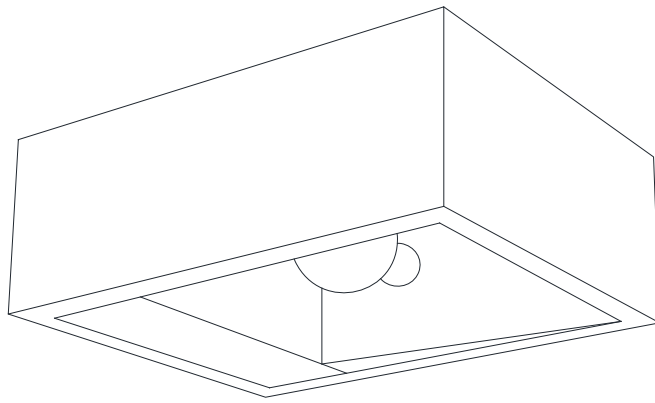
SHBXBALTRY175WMHSCC	19200402	SHOE BOX CIR C BALLAST TRAY 175W MH
---------------------	----------	-------------------------------------

ID	PART NUM	PART DESC	QTY		CU-REF
1	0000019049	ST LIGHT SHOE-BOX CIRCLE C BALLAST TRAY 175W MH	1	EA	19200402

SHBXFIX175WMH240VBLK	19200412	SHOE BOX FIX 175W MH 240V BLK
----------------------	----------	-------------------------------

ID	PART NUM	PART DESC	QTY		CU-REF
1	0000019050	ST LIGHT SHOE-BOX CIRCLE C FIXTURE 175W MH 240V BLK	1	EA	19200412

1920-06	ILLUMINATION SHOE BOX STREET LIGHTS SHOE BOX FIXTURES	
Sheet 1 of 4		Rev: 08/01/20



- 1920-06-28 FIXTURE 100W LED 120V BLACK
- 1920-06-29 FIXTURE 100W LED 120V BROWN
- 1920-06-30 FIXTURE 250W LED 120V BLACK
- 1920-06-31 FIXTURE 250W LED 120V BROWN
- 1920-06-32 FIXTURE 400W LED 120V BLACK
- 1920-06-33 FIXTURE 400W LED 120V BROWN

	ILLUMINATION SHOE BOX STREET LIGHTS SHOE BOX FIXTURES	1920-06
		Sheet 4 of 4
Rev: 08/01/20		

CU-ID	CU-REF	CU-Description
--------------	---------------	-----------------------

SHBXXFIX250WLED120VBLK	19200630	SHOE BOX FIX 250W LED 120V BLK
------------------------	----------	--------------------------------

ID	PART NUM	PART DESC	QTY		CU-REF
1	0000023580	SHOEBOX, ST LIGHT LED 250W EQUIV W/DIMMING, BLACK	1	EA	19200630

SHBXXFIX250WLED120VBRN	19200631	SHOE BOX FIX 250W LED 120V BRN
------------------------	----------	--------------------------------


ID	PART NUM	PART DESC	QTY		CU-REF
1	0000023581	SHOEBOX, ST LIGHT LED 250W EQUIV W/DIMMING, BROWN	1	EA	19200631

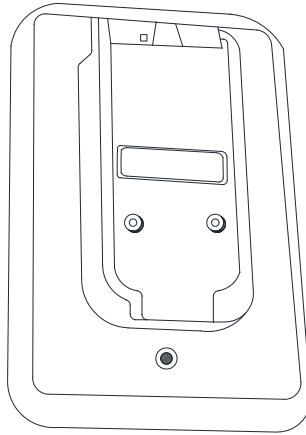
SHBXXFIX400WLED120VBLK	19200632	SHOE BOX FIX 400W LED 120V BLK
------------------------	----------	--------------------------------

ID	PART NUM	PART DESC	QTY		CU-REF
1	0000023582	SHOEBOX, ST LIGHT LED 400W EQUIV W/DIMMING, BLACK	1	EA	19200632

SHBXXFIX400WLED120VBRN	19200633	SHOE BOX FIX 400W LED 120V BRN
------------------------	----------	--------------------------------

ID	PART NUM	PART DESC	QTY		CU-REF
1	0000023583	SHOEBOX, ST LIGHT LED 400W EQUIV W/DIMMING, BROWN	1	EA	19200633

1920-07	<p style="text-align: center;">ILLUMINATION</p> <p style="text-align: center;">SHOE BOX STREET LIGHTS</p> <p style="text-align: center;">SHOE BOX HAND HOLE COVER</p>	
Sheet 1 of 2		Rev: 08/01/20



- 1920-07-02 HAND HOLE COVER BLACK
- 1920-07-04 HAND HOLE COVER BROWN

 Rev: 08/01/20	ILLUMINATION SHOE BOX STREET LIGHTS SHOE BOX HAND HOLE COVER	1920-07
		Sheet 2 of 2

CU


CU-ID	CU-REF	CU-Description
--------------	---------------	-----------------------

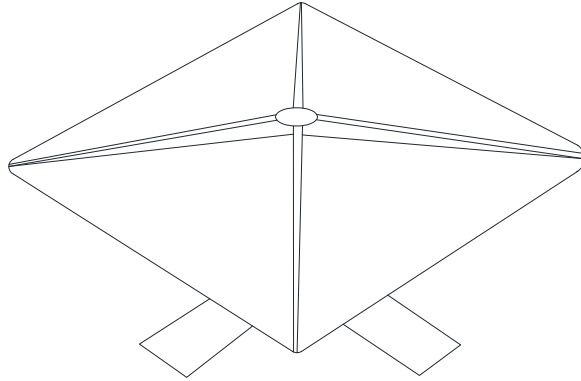
SHBXHNDHOLCVRBLK	19200702	SHOE BOX HAND HOLE COVER BLK
------------------	----------	------------------------------

ID	PART NUM	PART DESC	QTY		CU-REF
1	0000019081	ST LIGHT SHOE-BOX HAND HOLE COVER BLK	1	EA	19200702

SHBXHNDHOLCVRBRN	19200704	SHOE BOX HAND HOLE COVER BRN
------------------	----------	------------------------------

ID	PART NUM	PART DESC	QTY		CU-REF
1	0000019082	ST LIGHT SHOE-BOX HAND HOLE COVER BRN	1	EA	19200704

1920-08	ILLUMINATION	
Sheet 1 of 2	SHOE BOX STREET LIGHTS	
	SHOE BOX POLE CAP	Rev: 08/01/20



- 1920-08-01 POLE CAP 4IN BLACK
- 1920-08-02 POLE CAP 4IN BROWN
- 1920-08-11 POLE CAP 5IN BLACK
- 1920-08-12 POLE CAP 5IN BROWN
- 1920-08-21 POLE CAP 8IN BLACK
- 1920-08-22 POLE CAP 8IN BROWN

